



US00D956196S

(12) **United States Design Patent**
Han et al.

(10) **Patent No.:** **US D956,196 S**
(45) **Date of Patent:** **** Jun. 28, 2022**

(54) **AIR PURIFIER**

FOREIGN PATENT DOCUMENTS

(71) Applicant: **LG ELECTRONICS INC.**, Seoul (KR)

CN 305631922 * 10/2019
CN 306649802 * 2/2021

(72) Inventors: **Sungkyong Han**, Seoul (KR); **Sehwan Bae**, Seoul (KR); **Myungwhoon Lee**, Seoul (KR); **Kangeui Cho**, Seoul (KR); **Jiug Ha**, Seoul (KR)

OTHER PUBLICATIONS

Levoit Air Purifier Aug. 26, 2019 found on Jan. 21, 2022 at <https://www.amazon.com/LEVOIT-Purifier-Home-Allergies-Pets/dp/B07VVK39F7/?th=1> (Year: 2019).*

(73) Assignee: **LG ELECTRONICS INC.**, Seoul (KR)

(Continued)

(**) Term: **15 Years**

Primary Examiner — Karen S Acker
Assistant Examiner — Jonathan E Fiencke

(21) Appl. No.: **29/721,834**

(74) *Attorney, Agent, or Firm* — Birch, Stewart, Kolasch & Birch, LLP

(22) Filed: **Jan. 23, 2020**

(57) **CLAIM**

(30) **Foreign Application Priority Data**

We claim the ornamental design for an air purifier, as shown and described.

Jul. 25, 2019 (KR) 30-2019-0035869

(51) **LOC (13) Cl.** **23-01**

DESCRIPTION

(52) **U.S. Cl.**
USPC **D23/364**

(58) **Field of Classification Search**
USPC .. D7/536, 538, 553.8, 554.2, 602–604, 612;
D9/428, 545, 738, 763–764, 767;
D23/332–335, 337, 342, 352, 355–366,
D23/369–370
CPC .. A61L 9/00; A61L 9/22; B01D 47/00; B01D
47/027; B01D 2259/4508; B03C 3/155;
B03C 3/368; F24F 3/16; F24F 13/20;
F24F 13/28

FIG. 1 is a perspective view of an air purifier, showing the new design;
FIG. 2 is a front elevation view thereof;
FIG. 3 is a rear elevation view thereof;
FIG. 4 is a left-side elevation view thereof;
FIG. 5 is a right-side elevation view thereof;
FIG. 6 is a top plan view thereof;
FIG. 7 is a bottom plan view thereof;
FIG. 8 is a perspective view thereof, showing the circulator part at an angle;
FIG. 9 is a perspective view thereof, showing the circulator part at another angle; and,
FIG. 10 is a partial perspective view thereof, showing the air purifier in a state of use.

See application file for complete search history.

The evenly spaced broken lines and unshaded areas depict portions of the air purifier that form no part of the claimed design. The dot dash dot broken line in FIG. 10 denotes the boundary of the partial view.

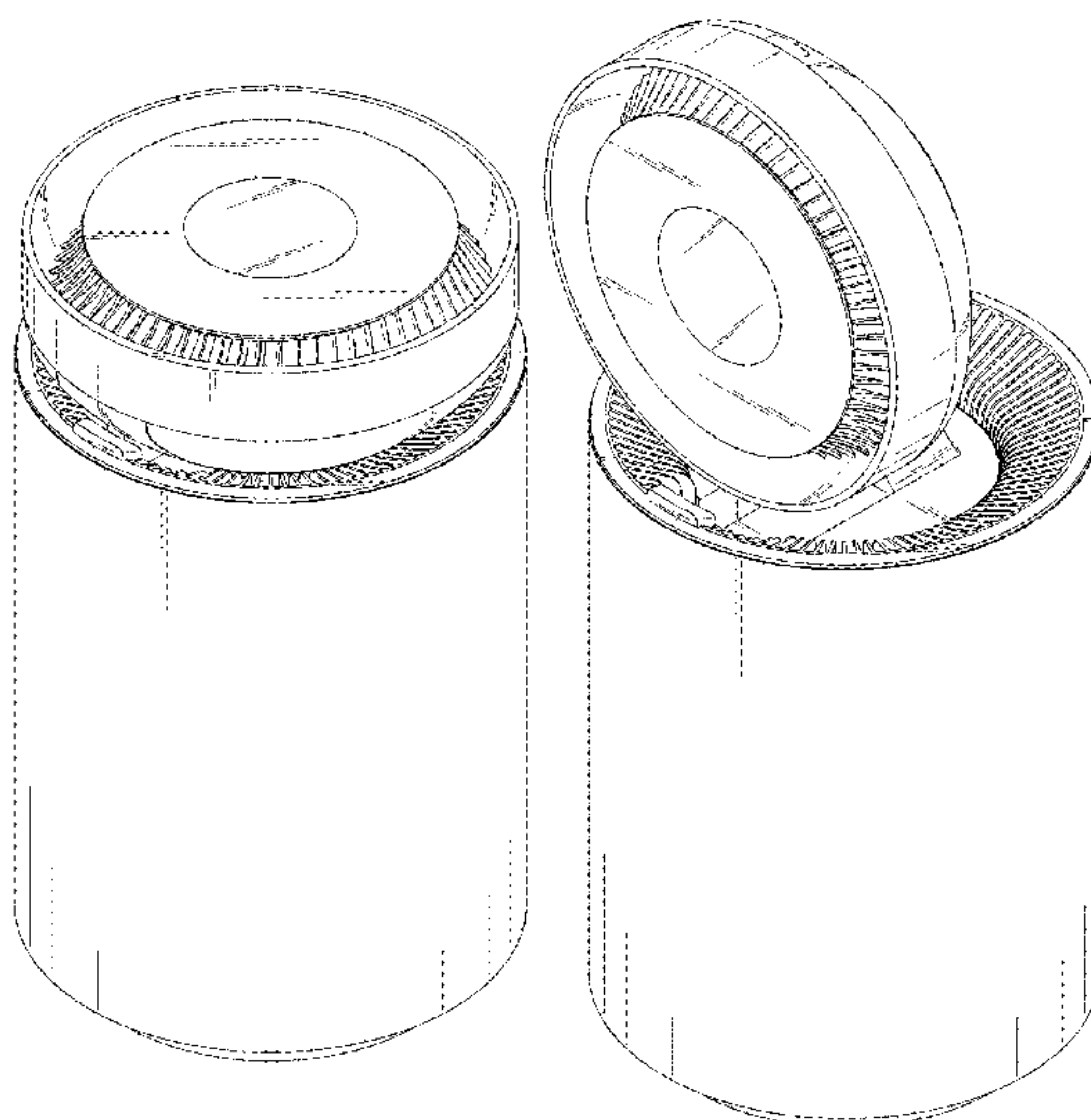
(56) **References Cited**

U.S. PATENT DOCUMENTS

D818,095 S * 5/2018 Cho D23/364
D818,097 S * 5/2018 Cho D23/364
D818,098 S * 5/2018 Cho D23/364

(Continued)

1 Claim, 10 Drawing Sheets



(56)

References Cited

U.S. PATENT DOCUMENTS

D818,099 S * 5/2018 Cho A47L 7/04
D23/364
D829,314 S * 9/2018 Cho D23/364
D831,810 S * 10/2018 Cho D23/364
D831,811 S * 10/2018 Cho D23/364
D835,766 S * 12/2018 Chen D23/364
D838,355 S * 1/2019 Cho D23/390
D882,056 S * 4/2020 Baillie D23/364
D884,138 S * 5/2020 Chen B01D 47/18
D23/366
D886,975 S * 6/2020 Yang D23/364
D888,923 S * 6/2020 Zhong D23/364
D906,501 S * 12/2020 Lim D23/364
D925,716 S * 7/2021 Qin D23/356
D934,403 S * 10/2021 Lei D23/356
D938,566 S * 12/2021 Yang D23/364
2018/0147523 A1 * 5/2018 Oh B01D 47/18
2018/0256770 A1 * 9/2018 Jang A61L 9/18
2020/0298162 A1 * 9/2020 Jeon A47L 7/04

OTHER PUBLICATIONS

Okaysou Air Purifier Oct. 8, 2021 found on Jan. 21, 2022 at
<https://www.amazon.com/dp/B09CDH8HXF/I> (Year: 2021).*

* cited by examiner

FIG. 1

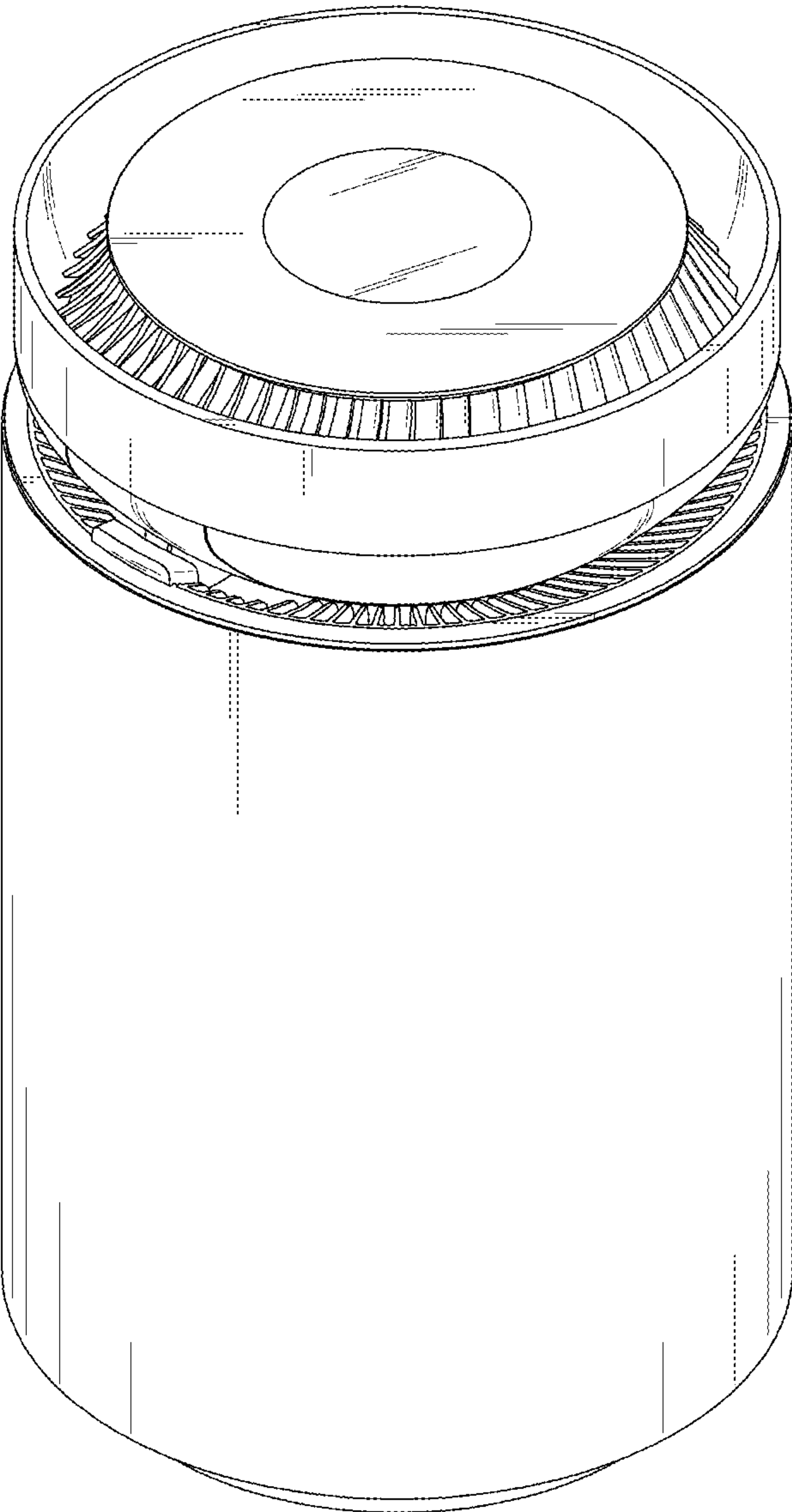


FIG. 2

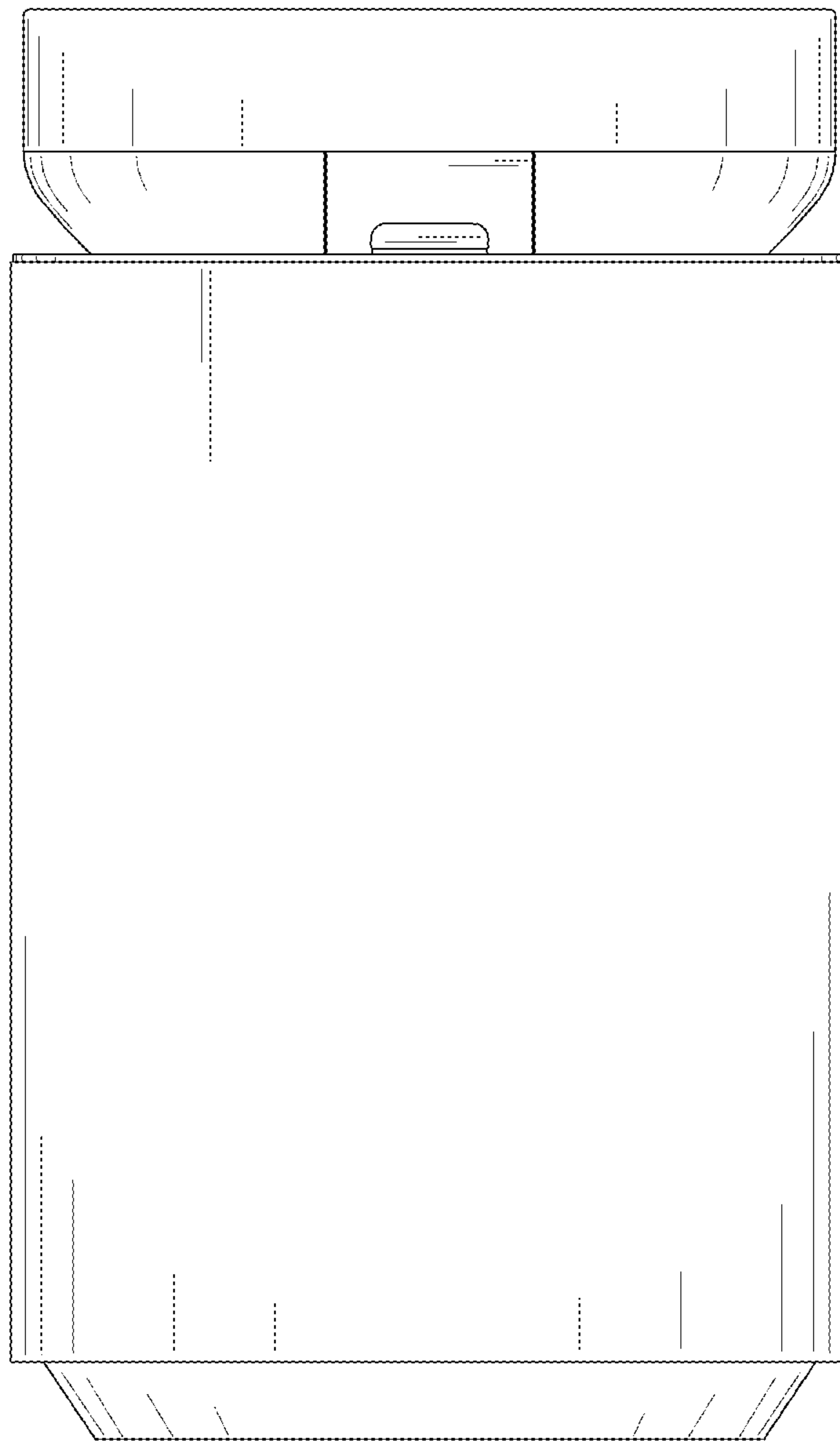


FIG. 3

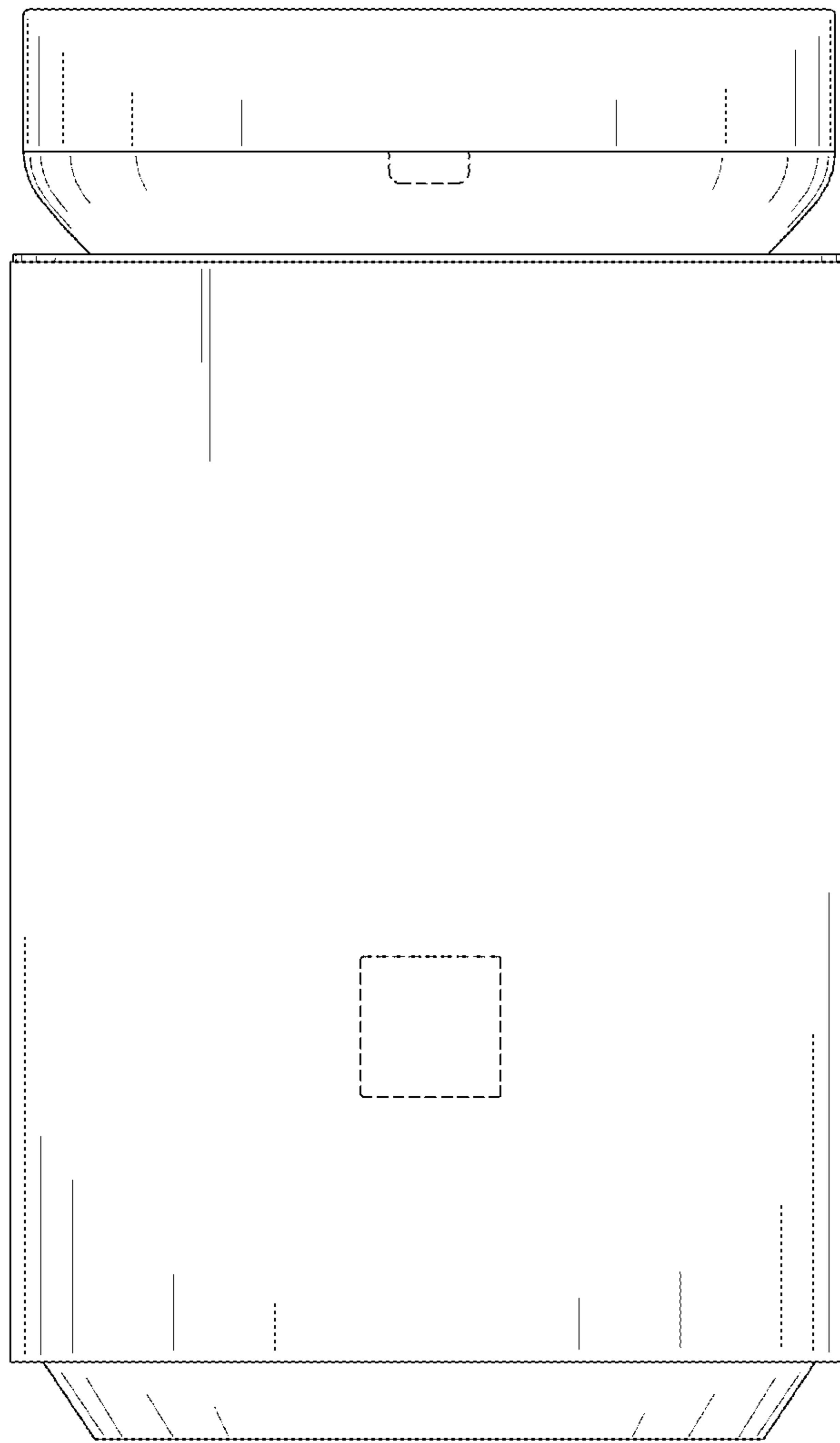


FIG. 4

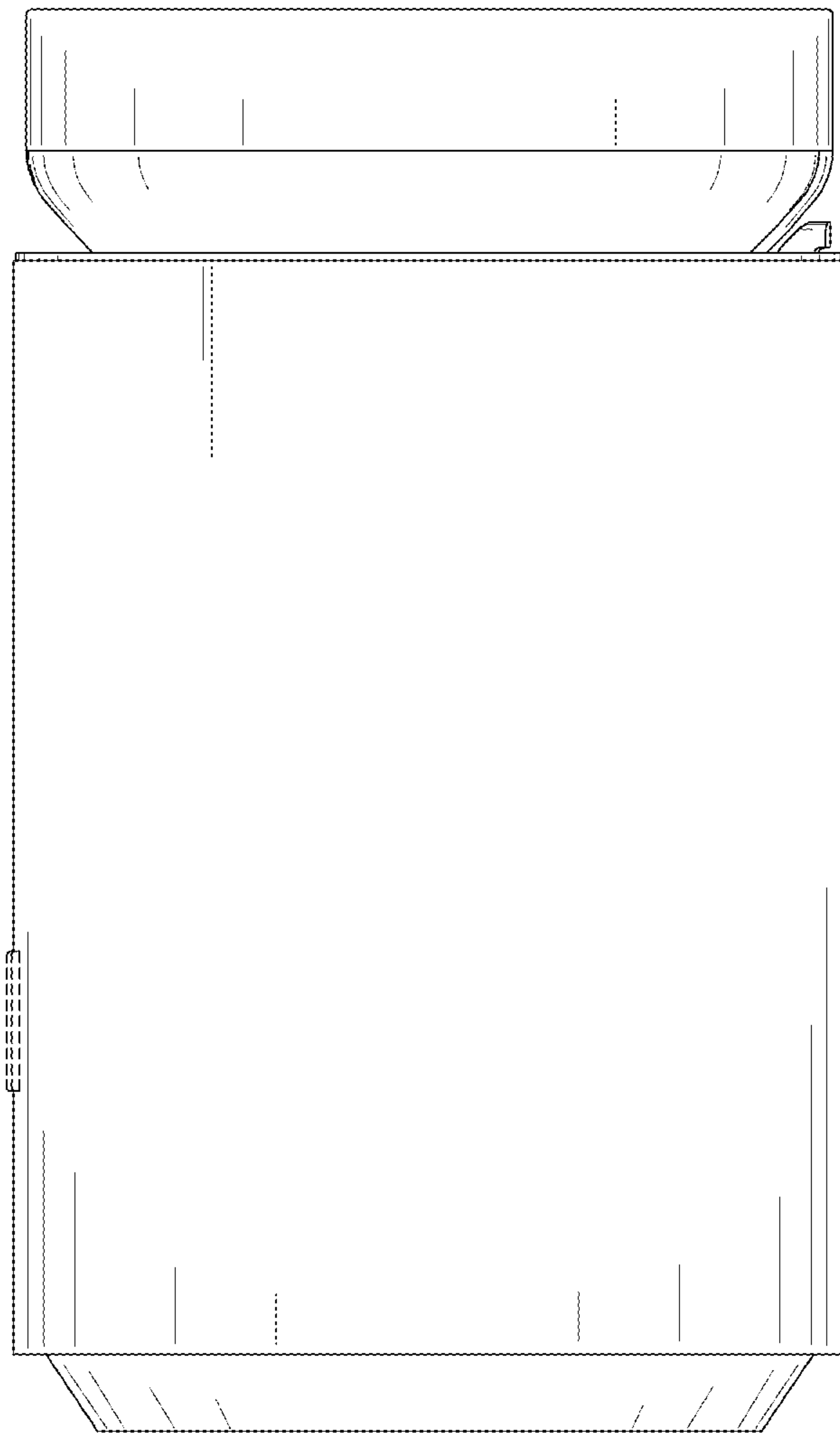


FIG. 5

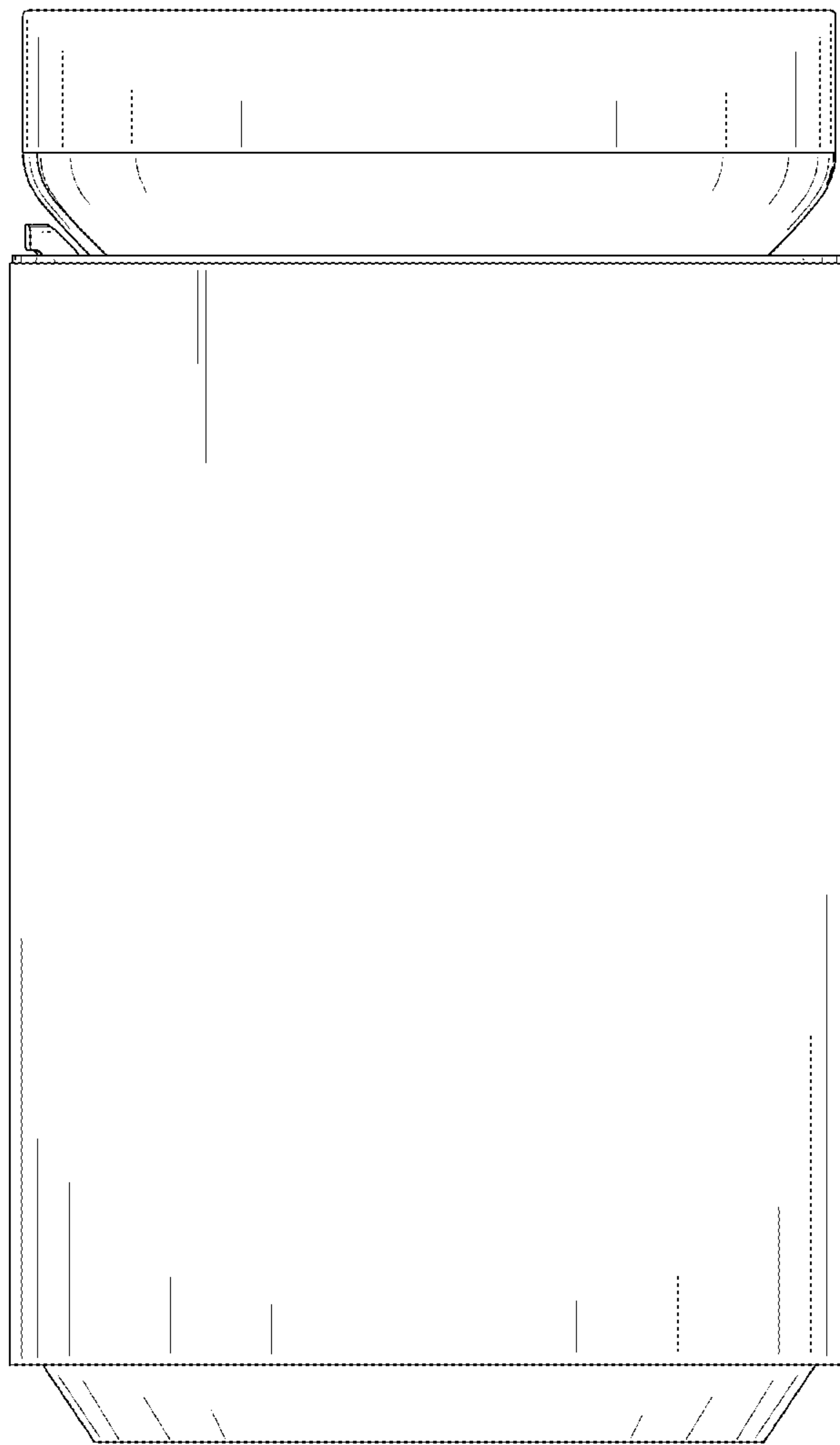


FIG. 6

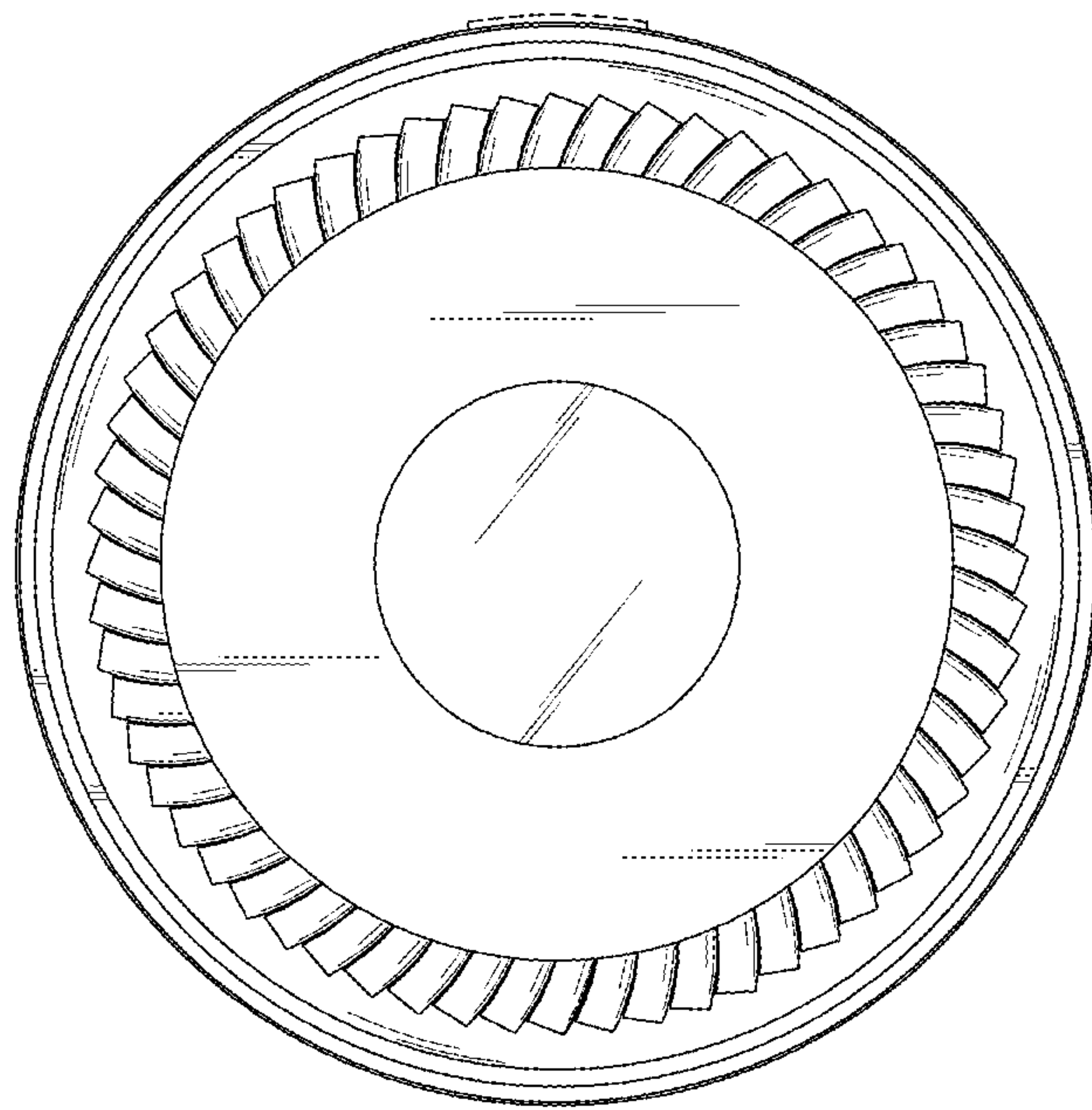


FIG. 7

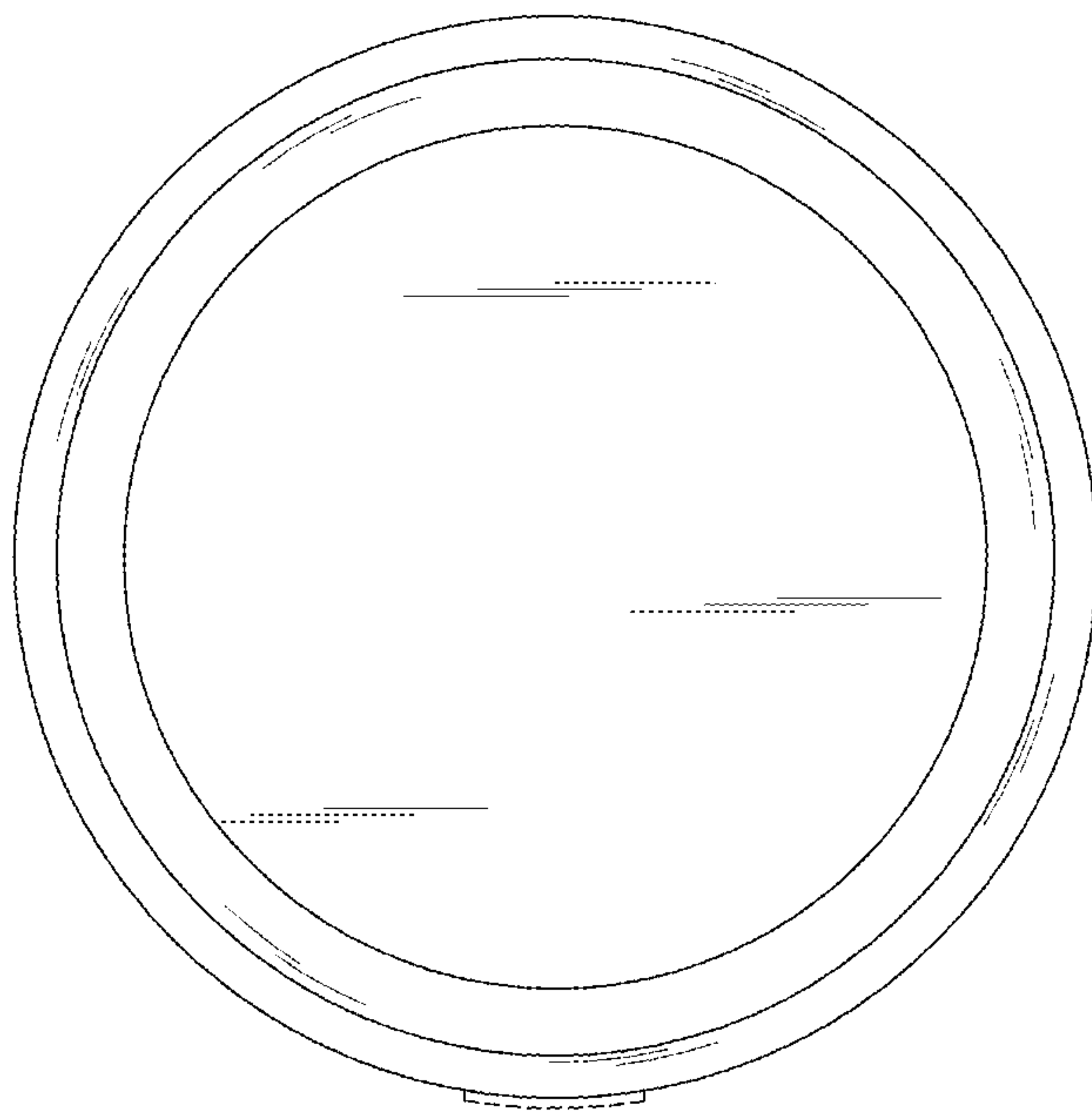


FIG. 8

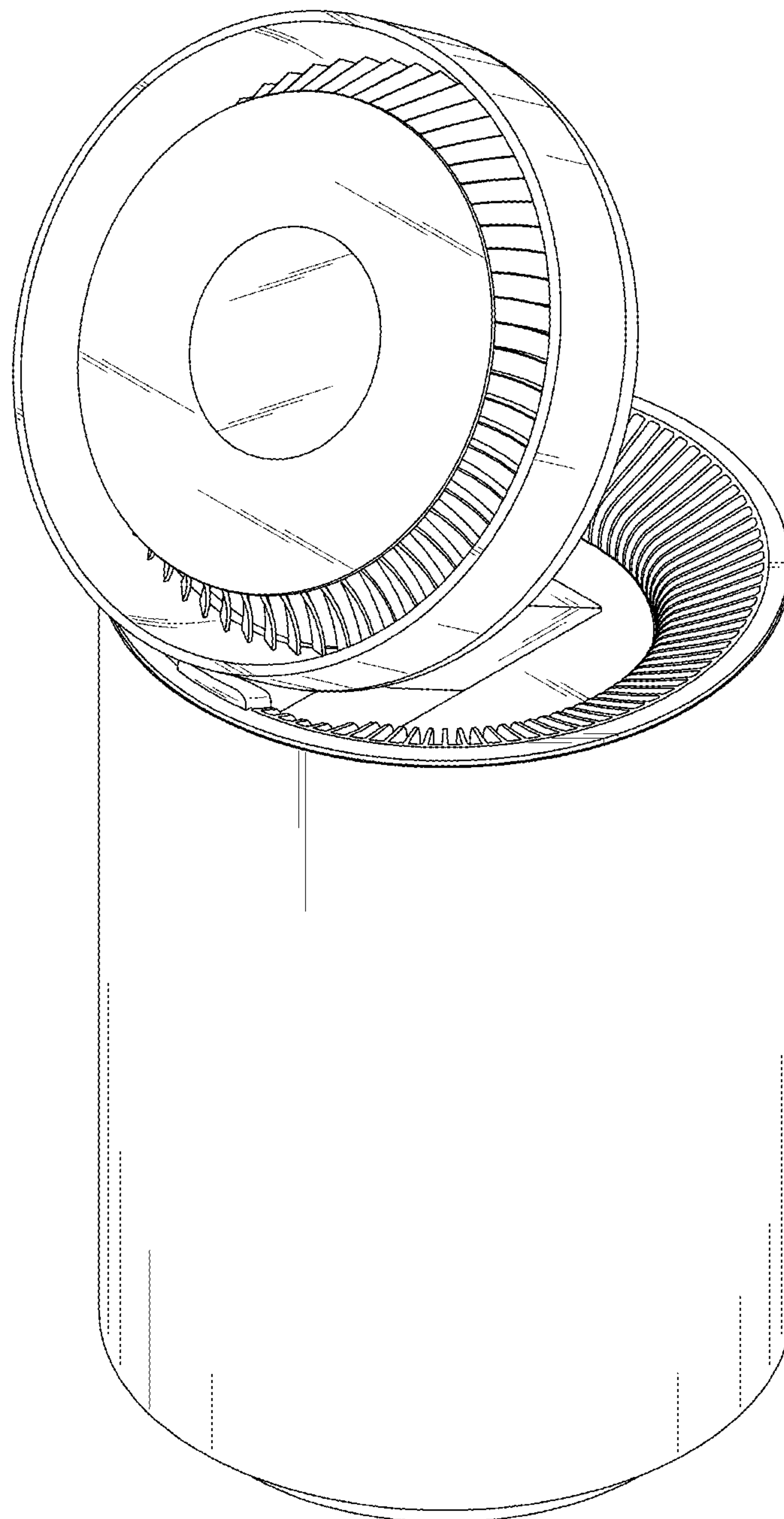


FIG. 9

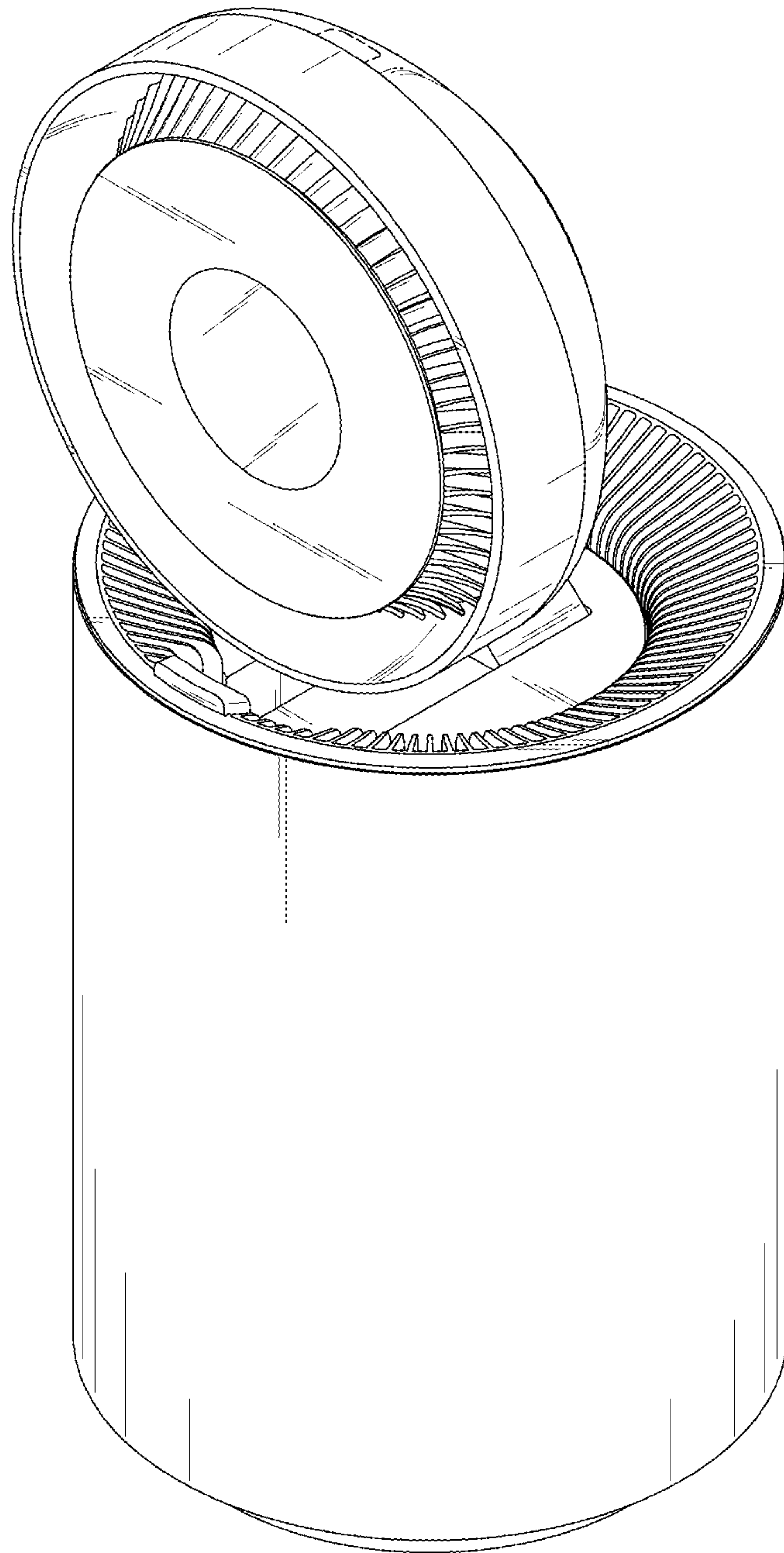


FIG. 10

