



US00D956189S

(12) **United States Design Patent** (10) **Patent No.:** **US D956,189 S**
Cook (45) **Date of Patent:** **** Jun. 28, 2022**

(54) **SHOWER PAN**

(71) Applicant: **Tile Redi, LLC**, Coral Springs, FL (US)

(72) Inventor: **Joseph R. Cook**, Parkland, FL (US)

(73) Assignee: **TILE REDI, LLC**, Charlotte, NC (US)

(**) Term: **15 Years**

(21) Appl. No.: **29/695,614**

(22) Filed: **Jun. 20, 2019**

(51) **LOC (13) Cl.** **23-02**

(52) **U.S. Cl.**
USPC **D23/304**

(58) **Field of Classification Search**
USPC D23/283, 303-304, 261
See application file for complete search history.

(56) **References Cited**

U.S. PATENT DOCUMENTS

5,004,534 A * 4/1991 Buzzelli B01D 21/003
210/164
D544,585 S * 6/2007 Lebrun D23/283
(Continued)

OTHER PUBLICATIONS

Jun 24 Inch Rectangular Grate Linear Drain For Shower: <https://www.junoshowers.com/juno-24-inch-linear-drain-for-shower-with-shower-drain-base-grate-cover.html> (Year: 2021).*

Primary Examiner — Robert A Delehanty
(74) *Attorney, Agent, or Firm* — Moore & Van Allen PLLC

(57) **CLAIM**

The ornamental design for a shower pan, as shown and described.

DESCRIPTION

FIG. 1 is a top plan view showing a first embodiment of the new design. The bottom of the article is flat and devoid of surface ornamentation, and is therefore not shown.

FIG. 2 is a top left perspective view thereof.

FIG. 3 is an enlarged fragmentary view of a portion of the design. The double object lines surrounding the drain grate and defining the opening in the floor shown in the enlargement of FIG. 3 do not appear in FIGS. 1 and 2.

The front, back, left and right side elevational views of the article are flat and devoid of surface ornamentation, and are therefore not shown.

FIG. 4 is a top plan view showing a second embodiment of the new design. The bottom of the article is flat and devoid of surface ornamentation, and is therefore not shown.

FIG. 5 is a top left perspective view thereof.

FIG. 6 is an enlarged fragmentary view of a portion of the design. The double object lines surrounding the drain grate and defining the opening in the floor shown in the enlargement of FIG. 6 do not appear in FIGS. 4 and 5.

The front, back, left and right side elevational views of the article are flat and devoid of surface ornamentation, and are therefore not shown.

FIG. 7 is a top plan view showing a third embodiment of the new design. The bottom of the article is flat and devoid of surface ornamentation, and is therefore not shown.

FIG. 8 is a top left perspective view thereof.

FIG. 9 is an enlarged fragmentary view of a portion of the design. The double object lines surrounding the drain grate and defining the opening in the floor shown in the enlargement of FIG. 9 do not appear in FIGS. 8 and 9.

The front, back, left and right side elevational views of the article are flat and devoid of surface ornamentation, and are therefore not shown.

FIG. 10 is a top plan view showing a fourth embodiment of the new design. The bottom of the article is flat and devoid of surface ornamentation, and is therefore not shown.

FIG. 11 is a top left perspective view thereof.

FIG. 12 is an enlarged fragmentary view of a portion of the design. The double object lines surrounding the drain grate and defining the opening in the floor shown in the enlargement of FIG. 12 do not appear in FIGS. 10 and 11.

The front, back, left and right side elevational views of the article are flat and devoid of surface ornamentation, and are therefore not shown.

FIG. 13 is a top plan view showing a fifth embodiment of the new design. The bottom of the article is flat and devoid of surface ornamentation, and is therefore not shown.

(Continued)

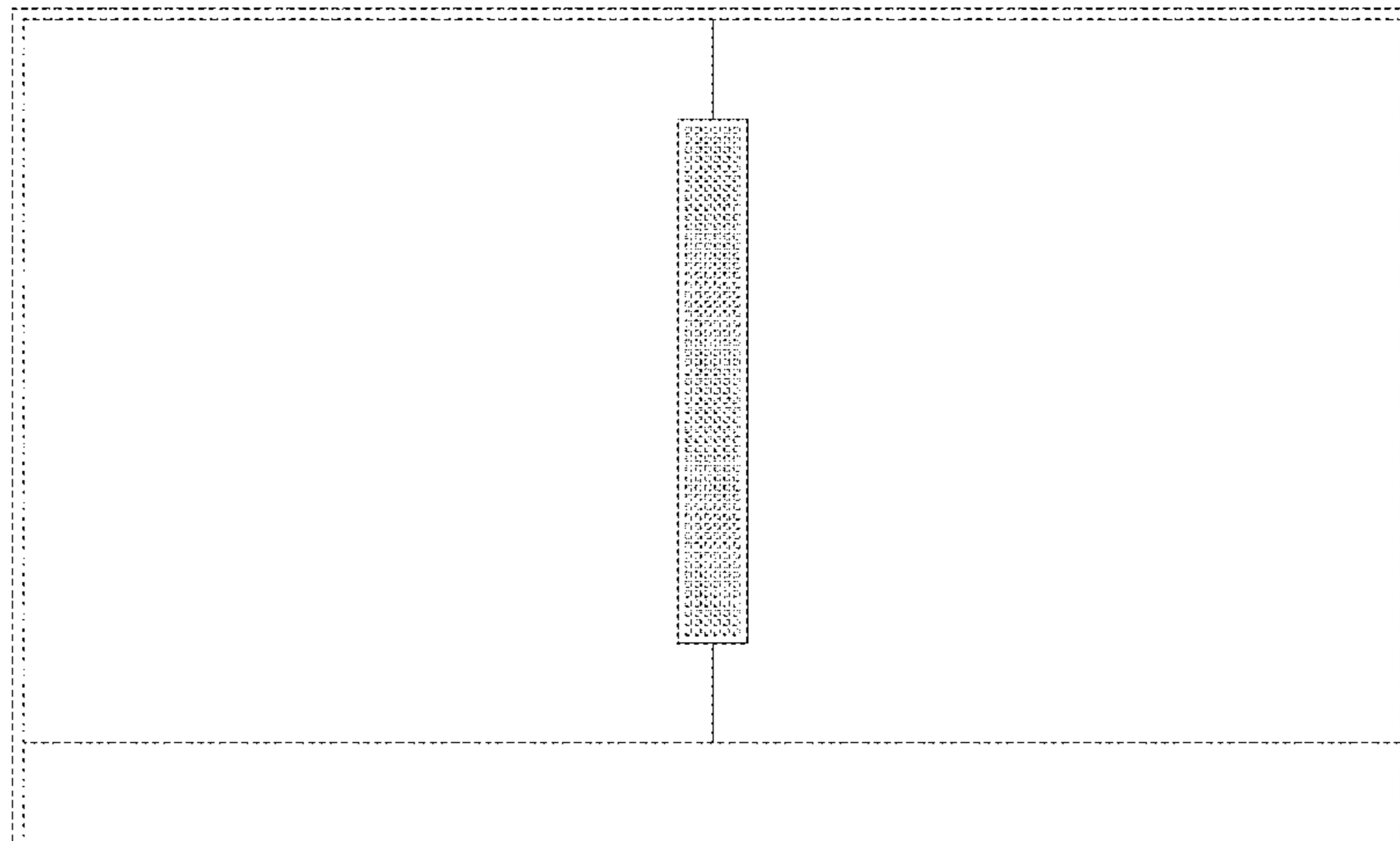


FIG. 14 is a top left perspective view thereof; and, FIG. 15 is an enlarged fragmentary view of a portion of the design. The double object lines surrounding the drain grate and defining the opening in the floor shown in the enlargement of FIG. 15 do not appear in FIGS. 13 and 14. The front, back, left and right side elevational views of the article are flat and devoid of surface ornamentation, and are therefore not shown.

1 Claim, 10 Drawing Sheets

(56)

References Cited

U.S. PATENT DOCUMENTS

D611,129 S * 3/2010 Hisey D23/304
 D612,027 S * 3/2010 Hisey D23/304
 D687,524 S * 8/2013 Heiser D23/261
 8,857,109 B1 * 10/2014 Kirby A47K 3/40
 52/34
 D721,795 S * 1/2015 Bernoti D23/260
 9,334,638 B1 * 5/2016 Kirby E03F 5/0408
 D843,550 S * 3/2019 Oatey D23/261

D846,091 S * 4/2019 Keizers D23/261
 D849,210 S * 5/2019 Keizers D23/261
 D859,614 S * 9/2019 Bucher D23/304
 D860,412 S * 9/2019 Bucher D23/304
 D875,226 S * 2/2020 Rocandio Mazagatos .. D23/304
 D875,904 S * 2/2020 Rocandio Mazagatos .. D23/304
 D882,052 S * 4/2020 Kaldewei D23/304
 D907,750 S * 1/2021 Kaldewei D23/304
 D915,565 S * 4/2021 Meyers D23/261
 10,975,583 B2 * 4/2021 Gomo E03F 5/0407
 D922,551 S * 6/2021 Bucher D23/304
 D923,758 S * 6/2021 Dangerfield D23/261
 D924,374 S * 7/2021 Pohl E03F 5/06
 D23/261
 2006/0239773 A1 * 10/2006 Meyers E03F 3/046
 404/2
 2011/0088161 A1 * 4/2011 Stimpson A47K 3/40
 4/613
 2011/0162137 A1 * 7/2011 Kik, Sr. E03F 3/046
 4/613
 2011/0203979 A1 * 8/2011 Schlueter E03F 5/0408
 210/164
 2020/0214510 A1 * 7/2020 Brill A47K 3/40
 2021/0040721 A1 * 2/2021 Larson E03F 5/0408
 2021/0219789 A1 * 7/2021 Cook E03C 1/0408

* cited by examiner

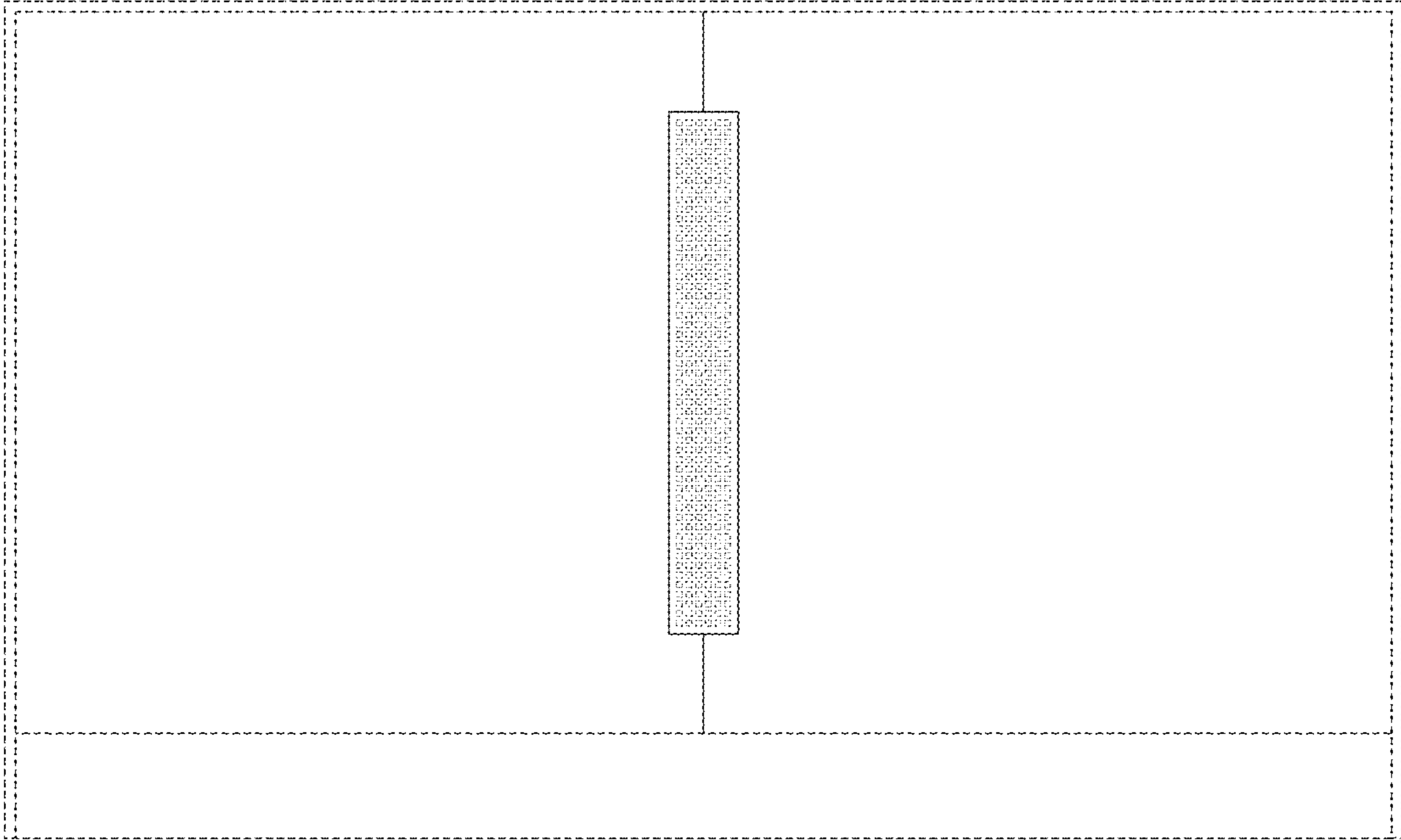


Fig. 1

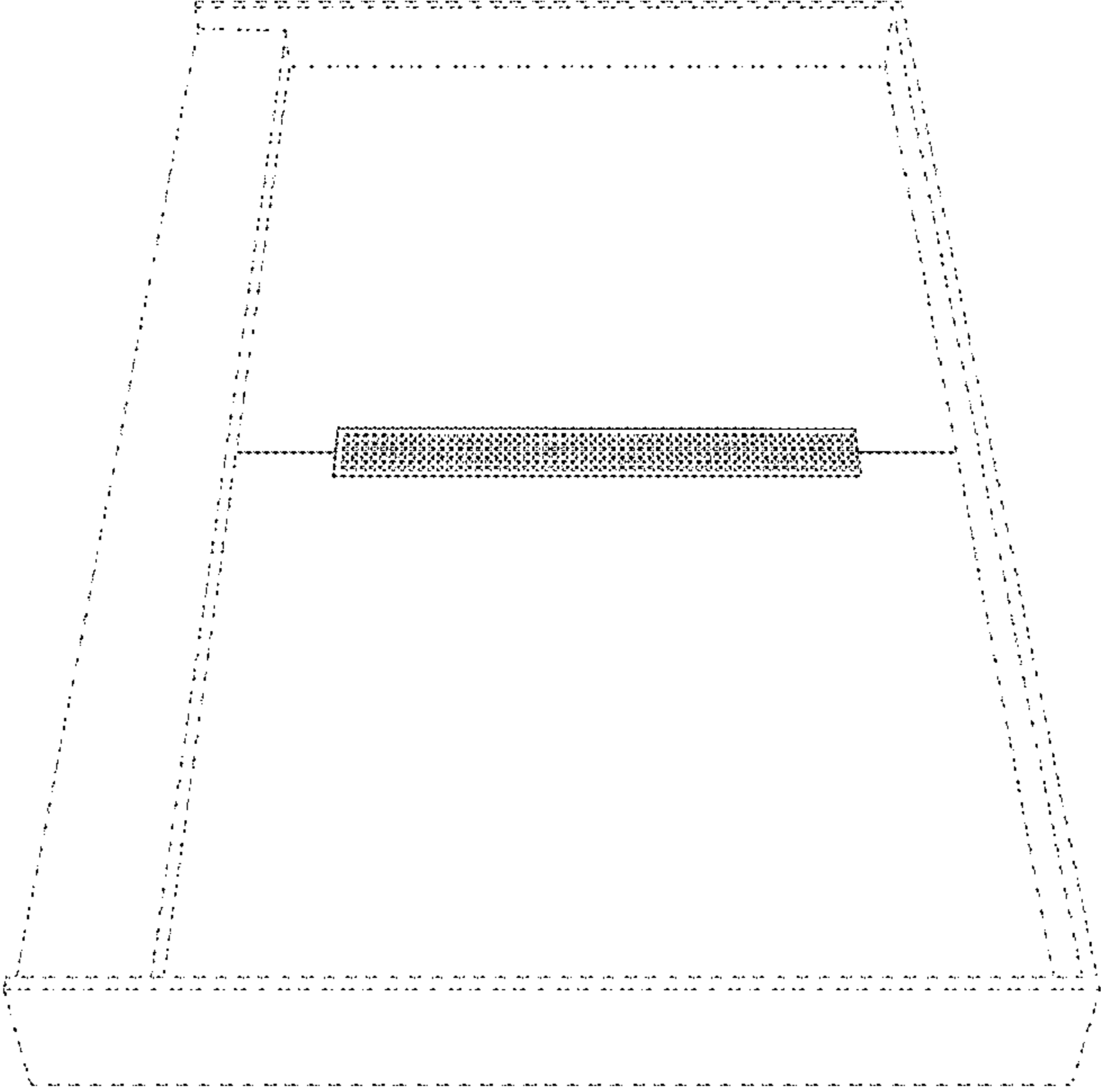


Fig. 2

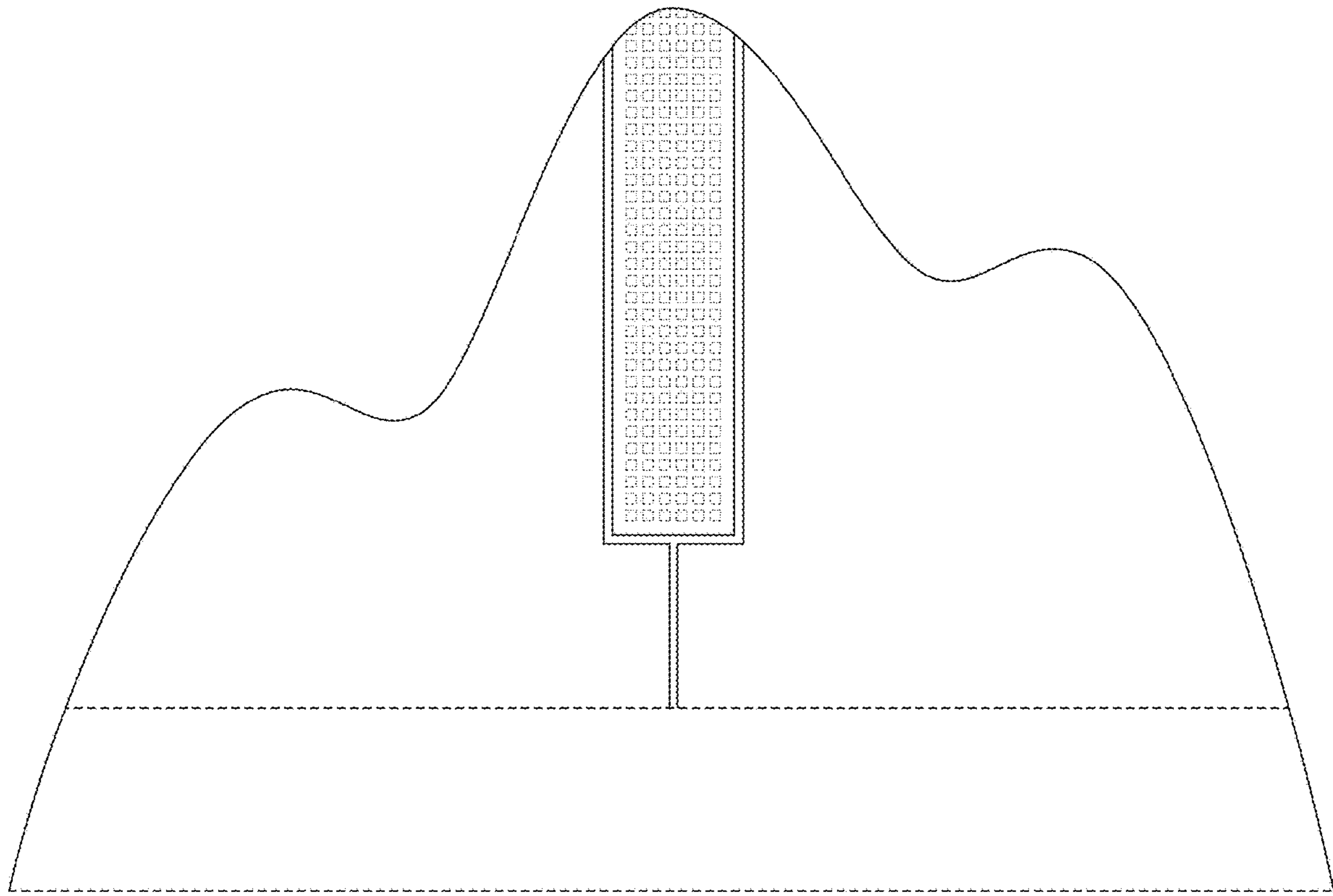


Fig. 3



Fig. 4

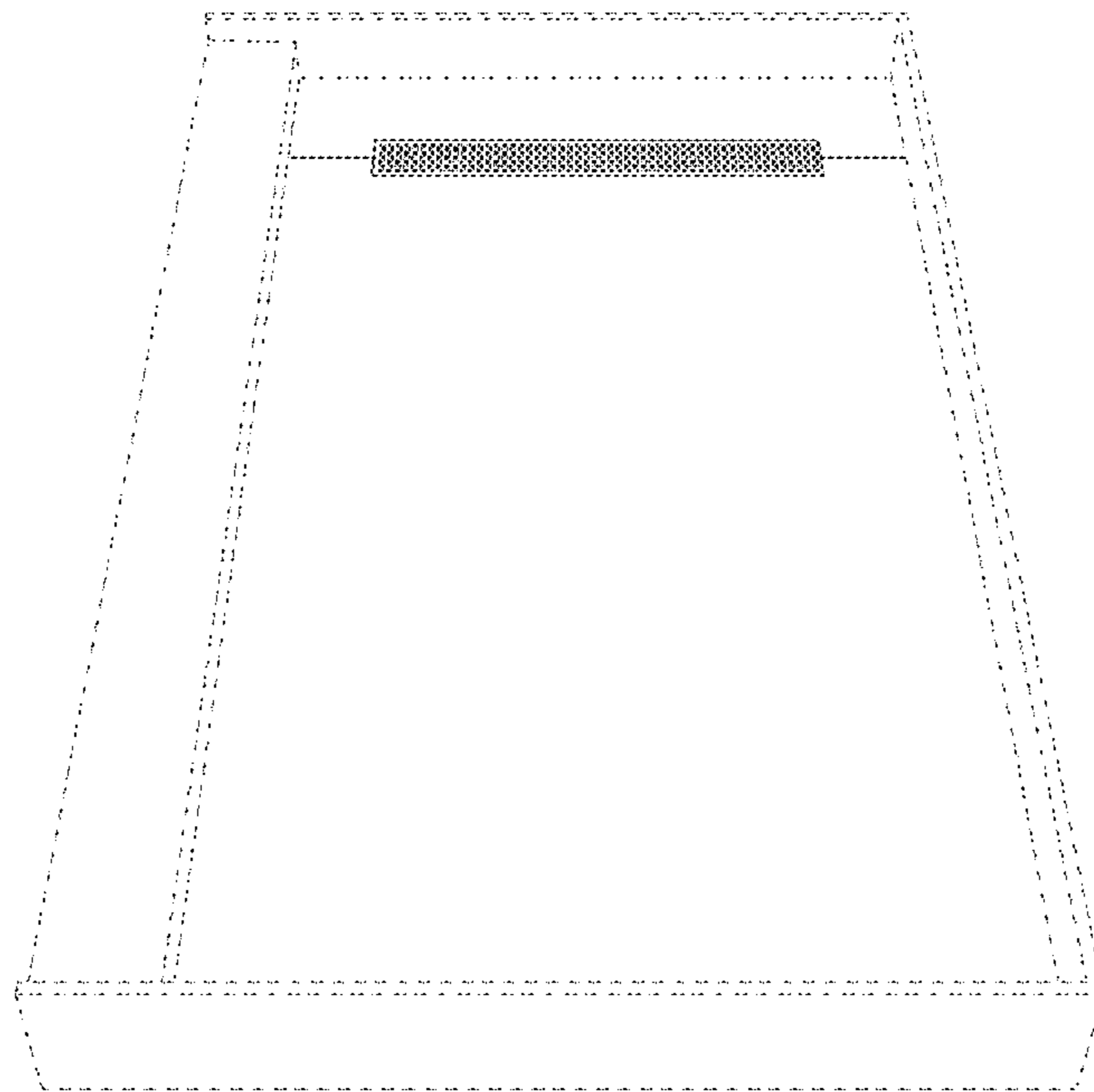


Fig. 5

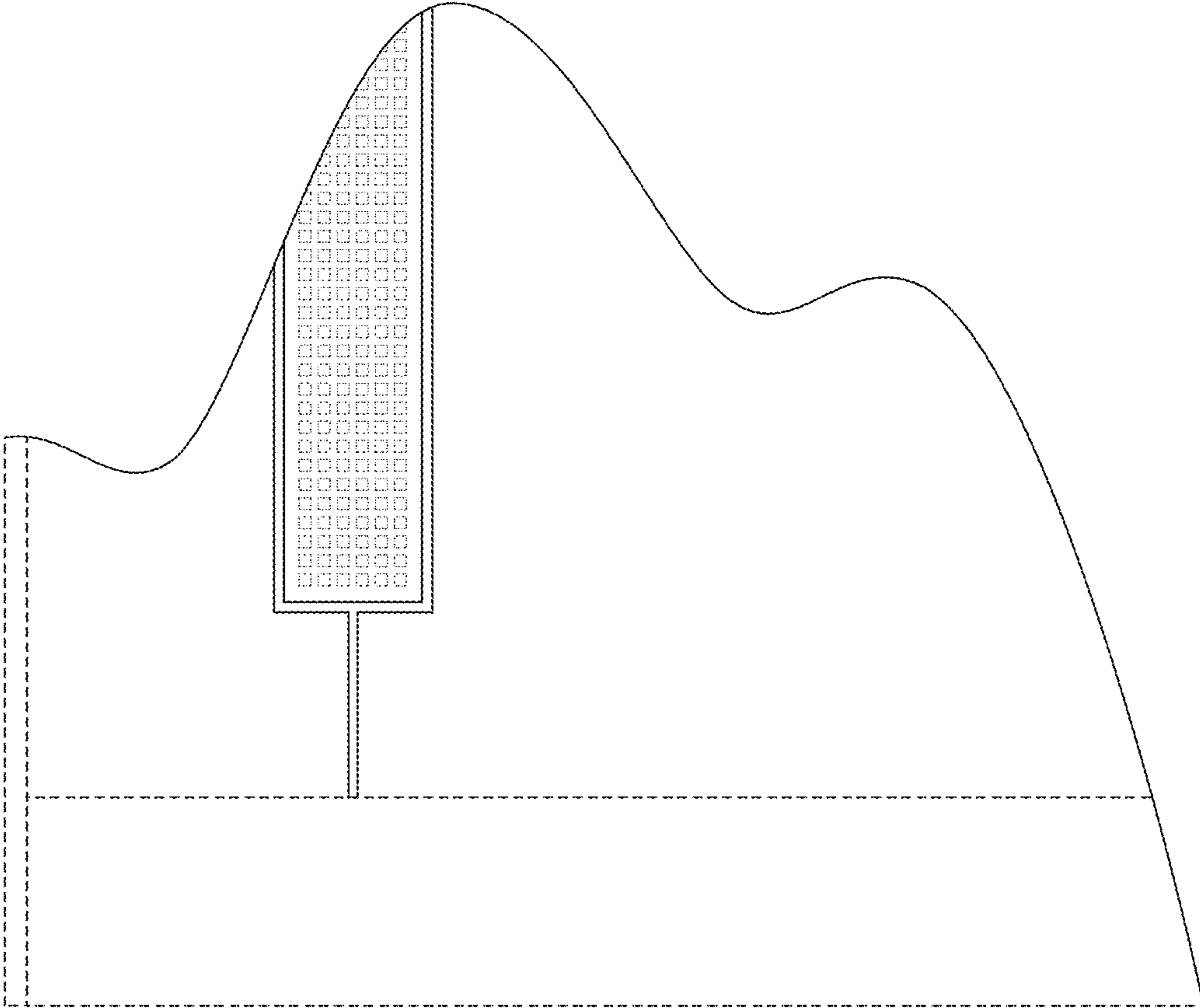


Fig. 6



Fig. 7

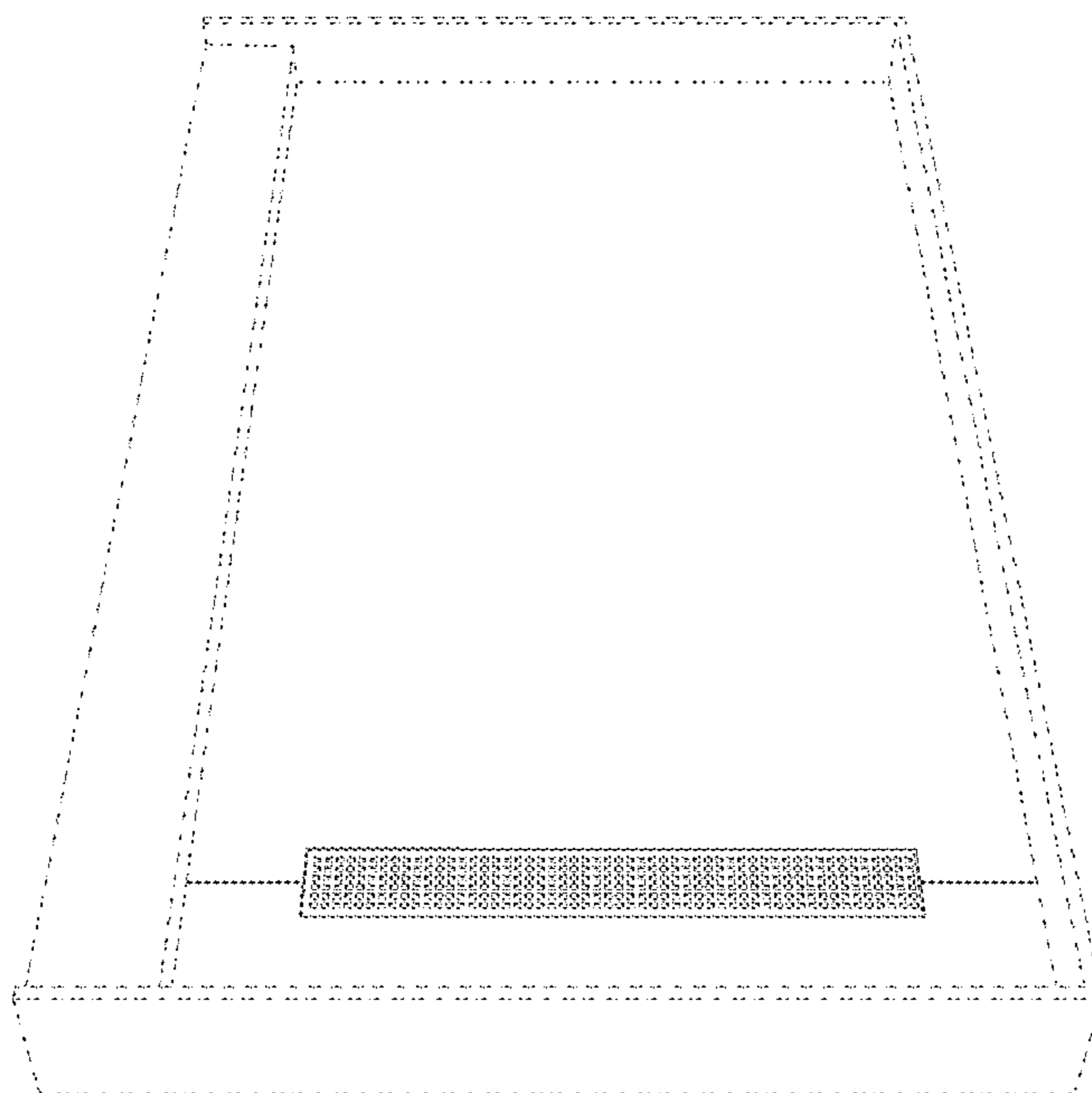


Fig. 8

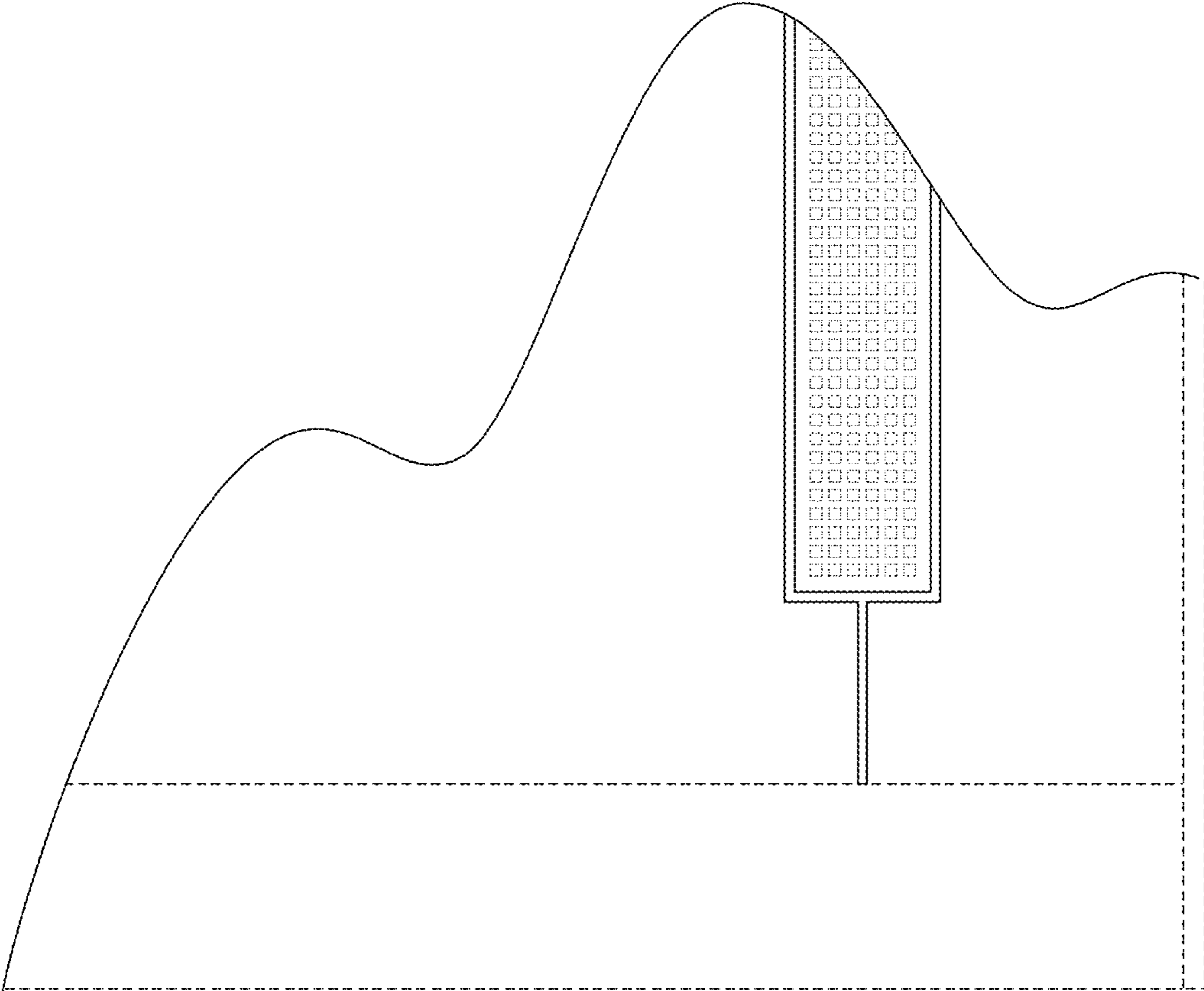


Fig. 9

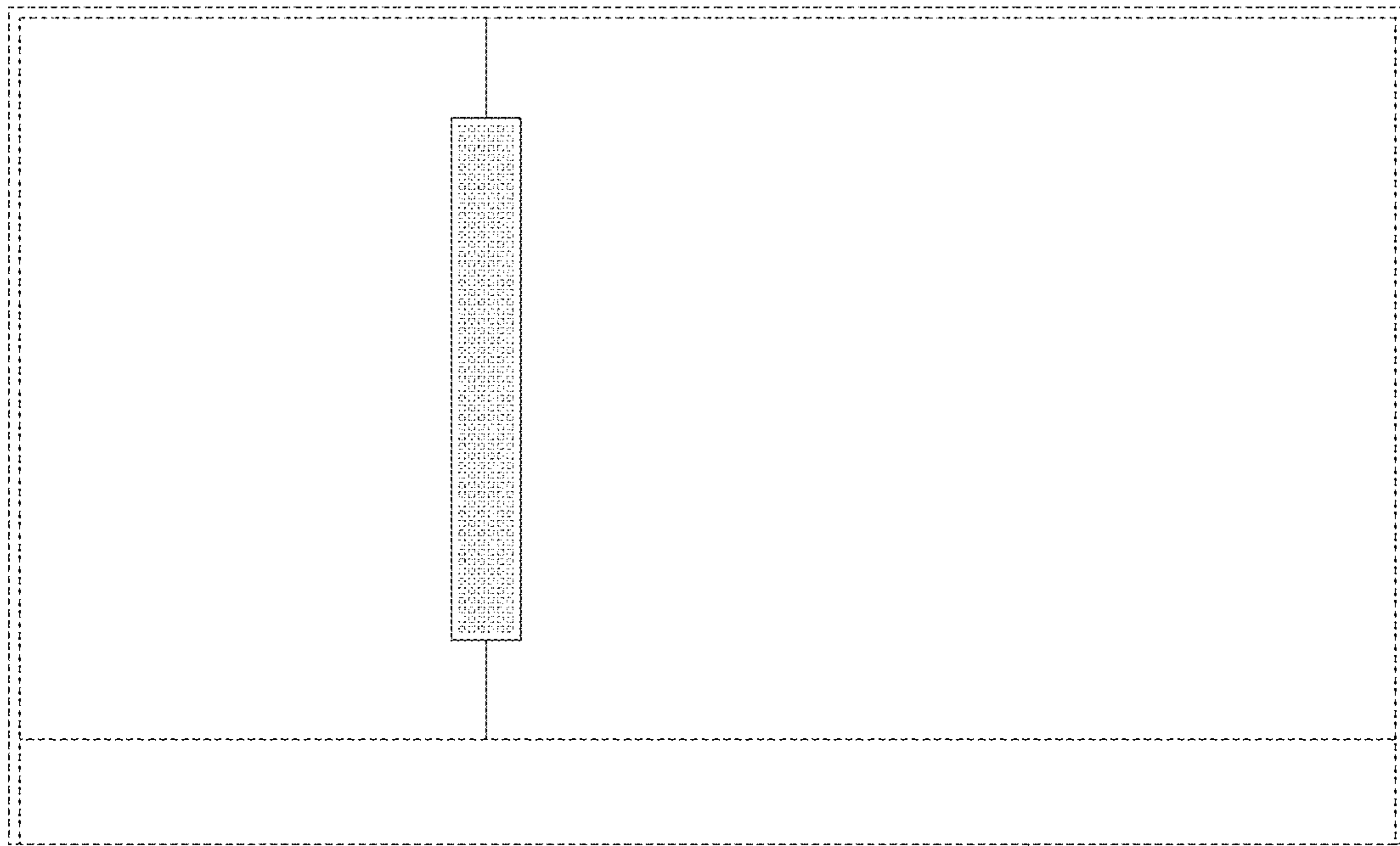


Fig. 10

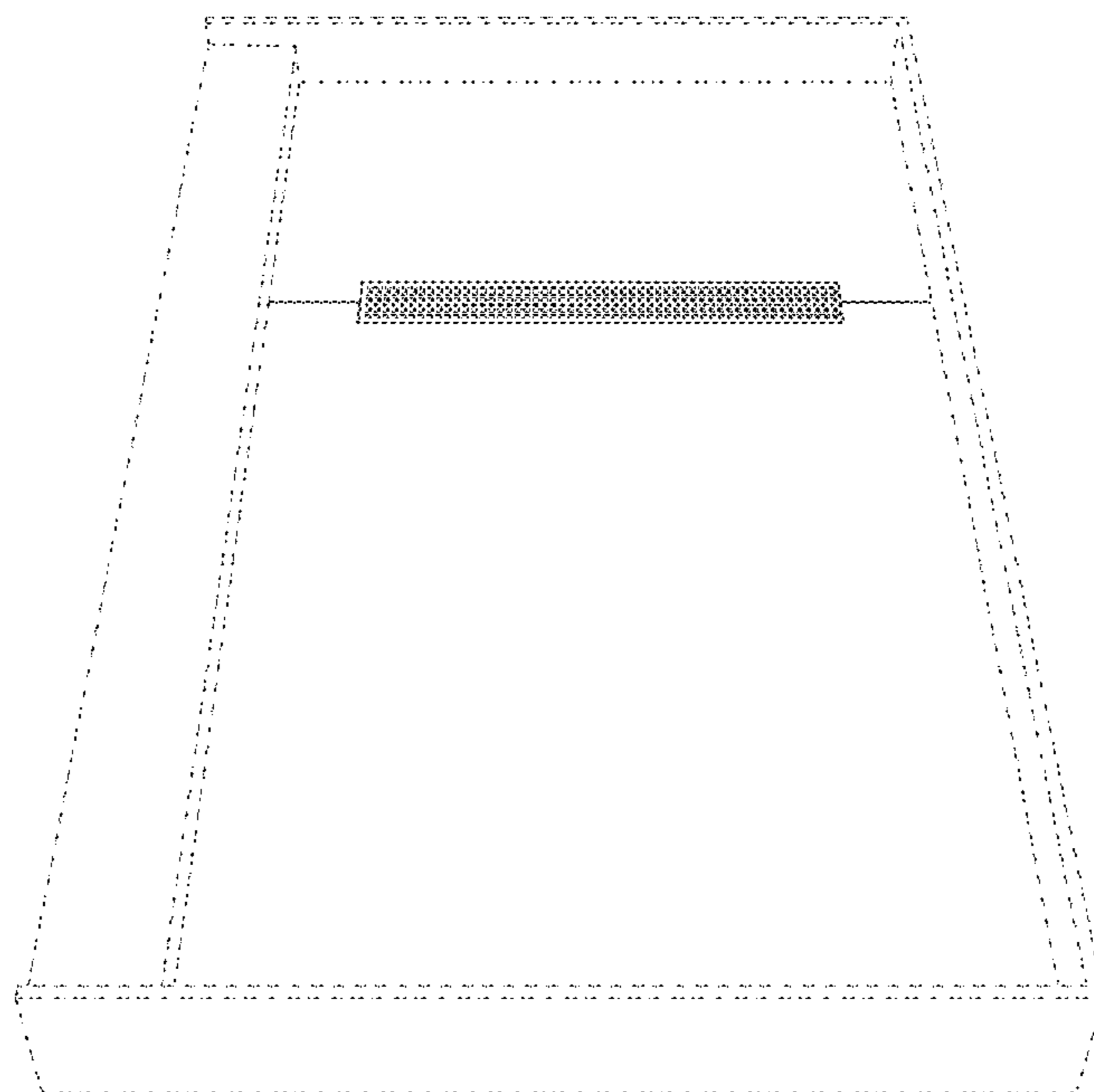


Fig. 11

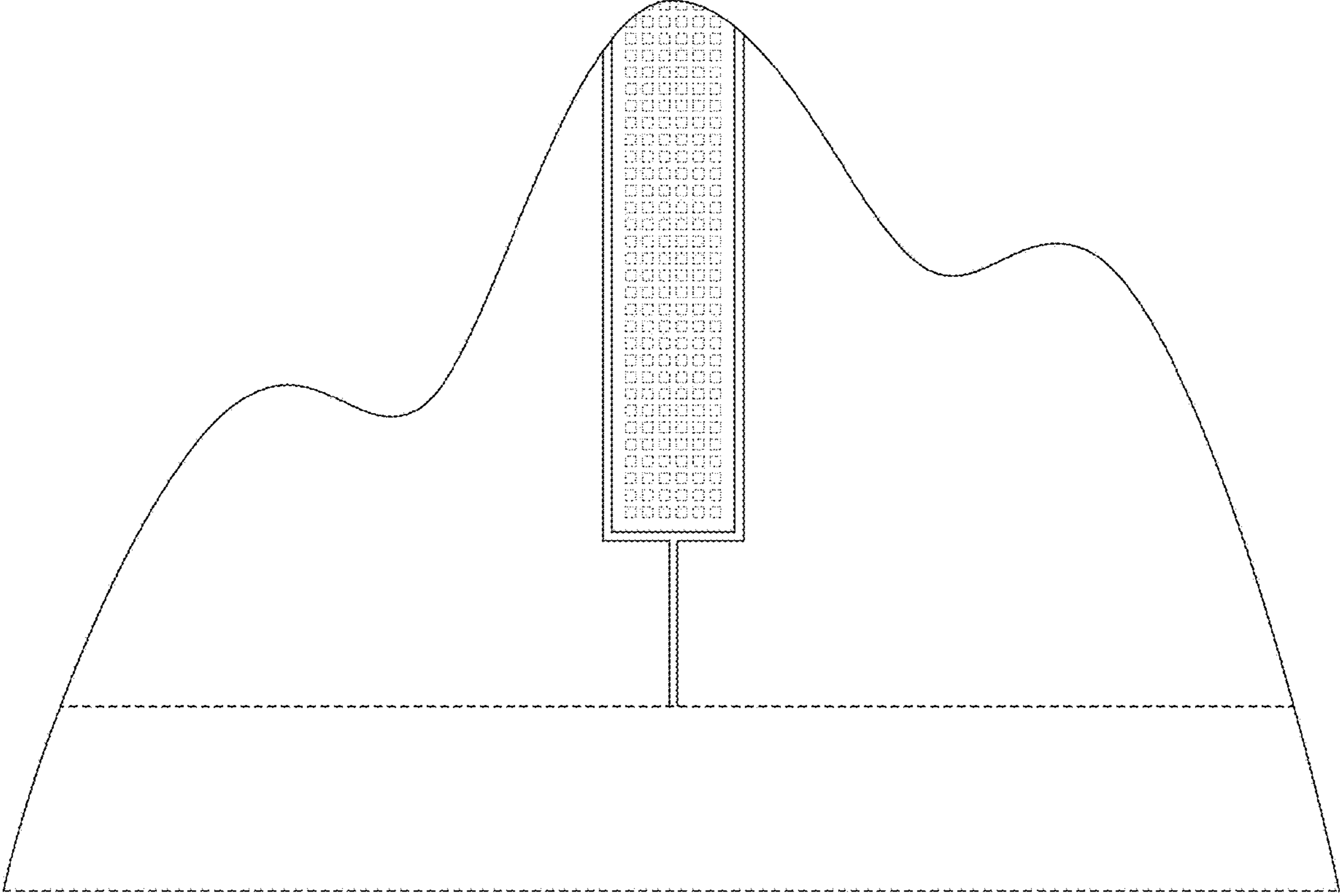


Fig. 12

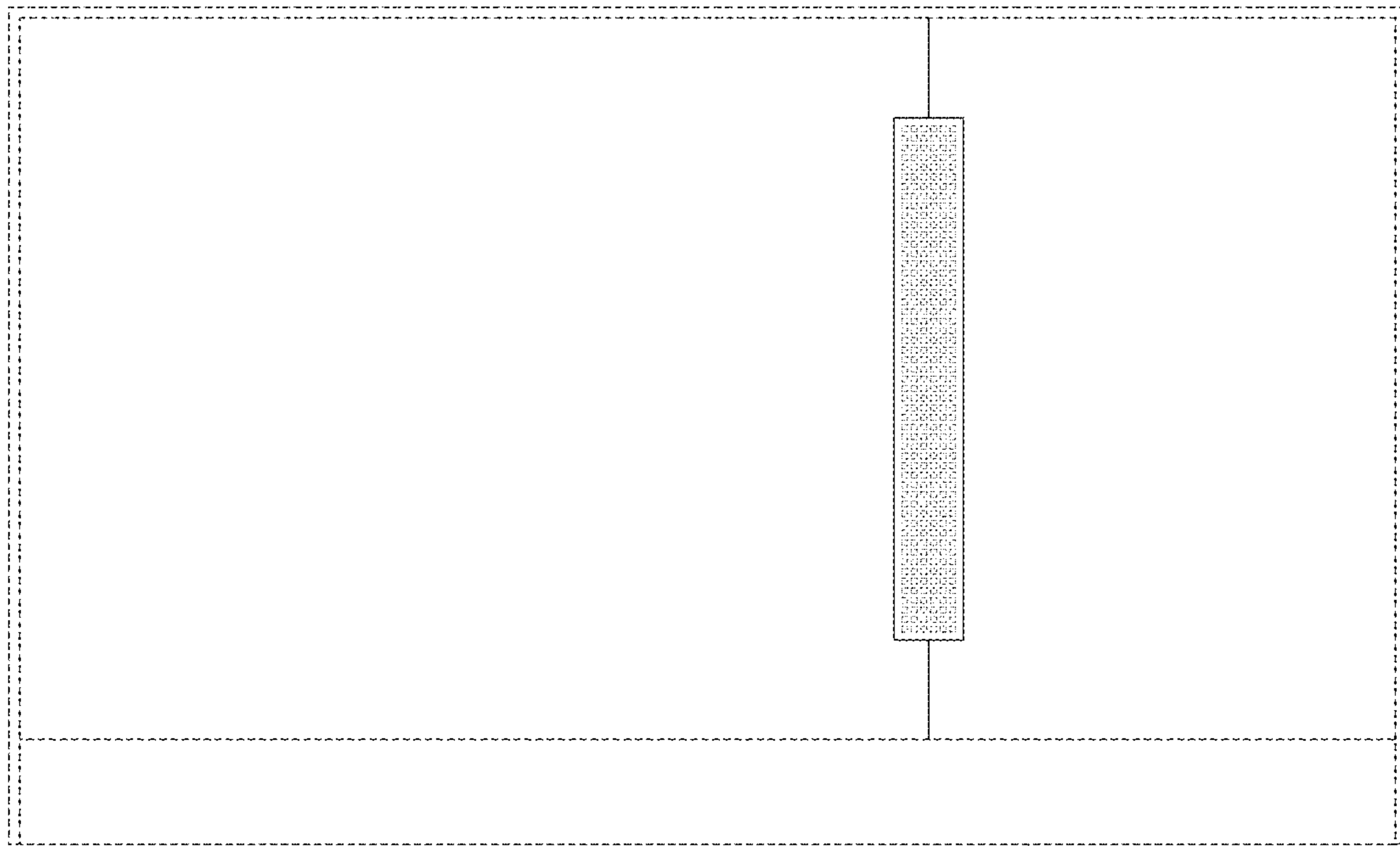


Fig. 13

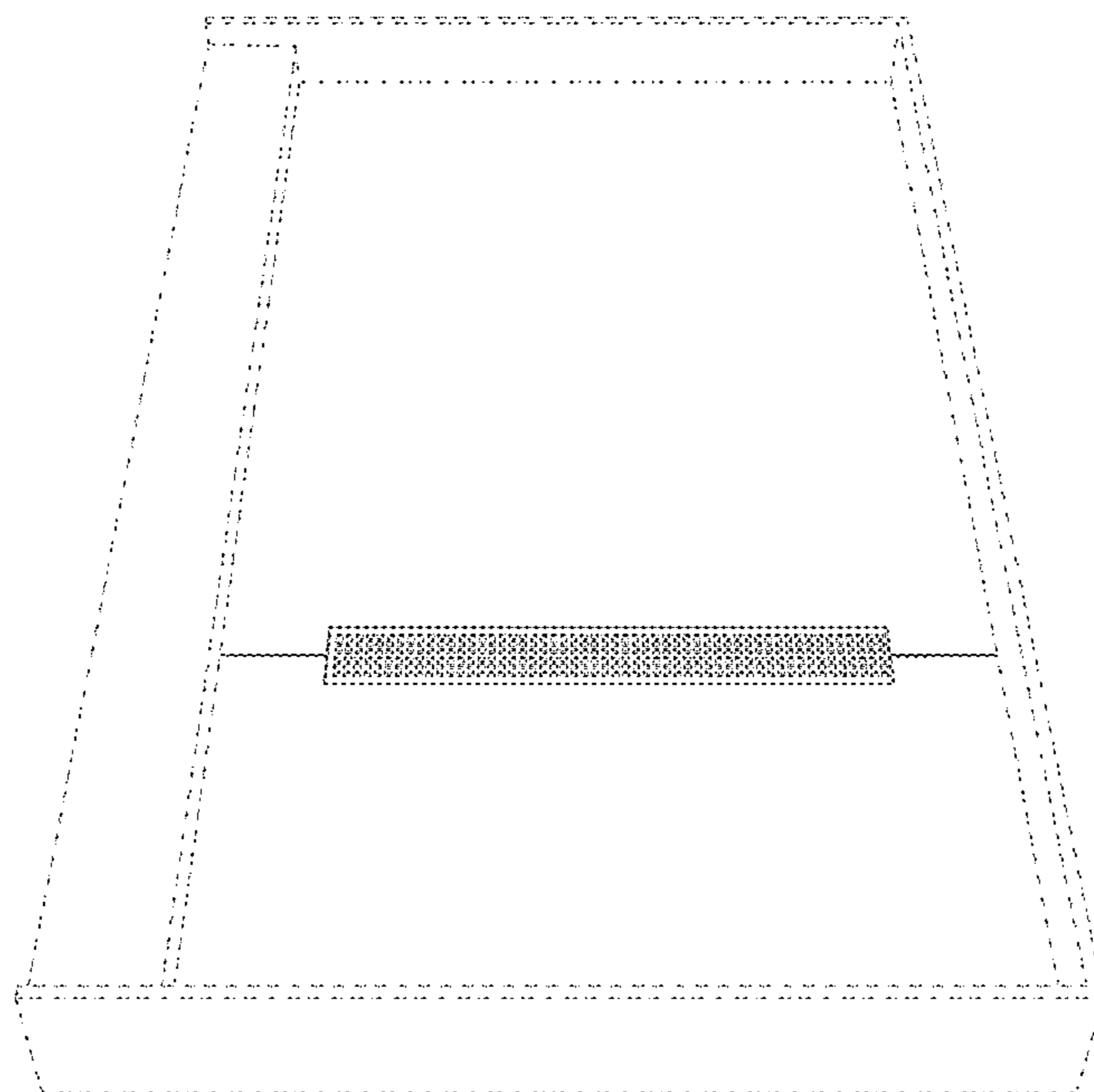


Fig. 14

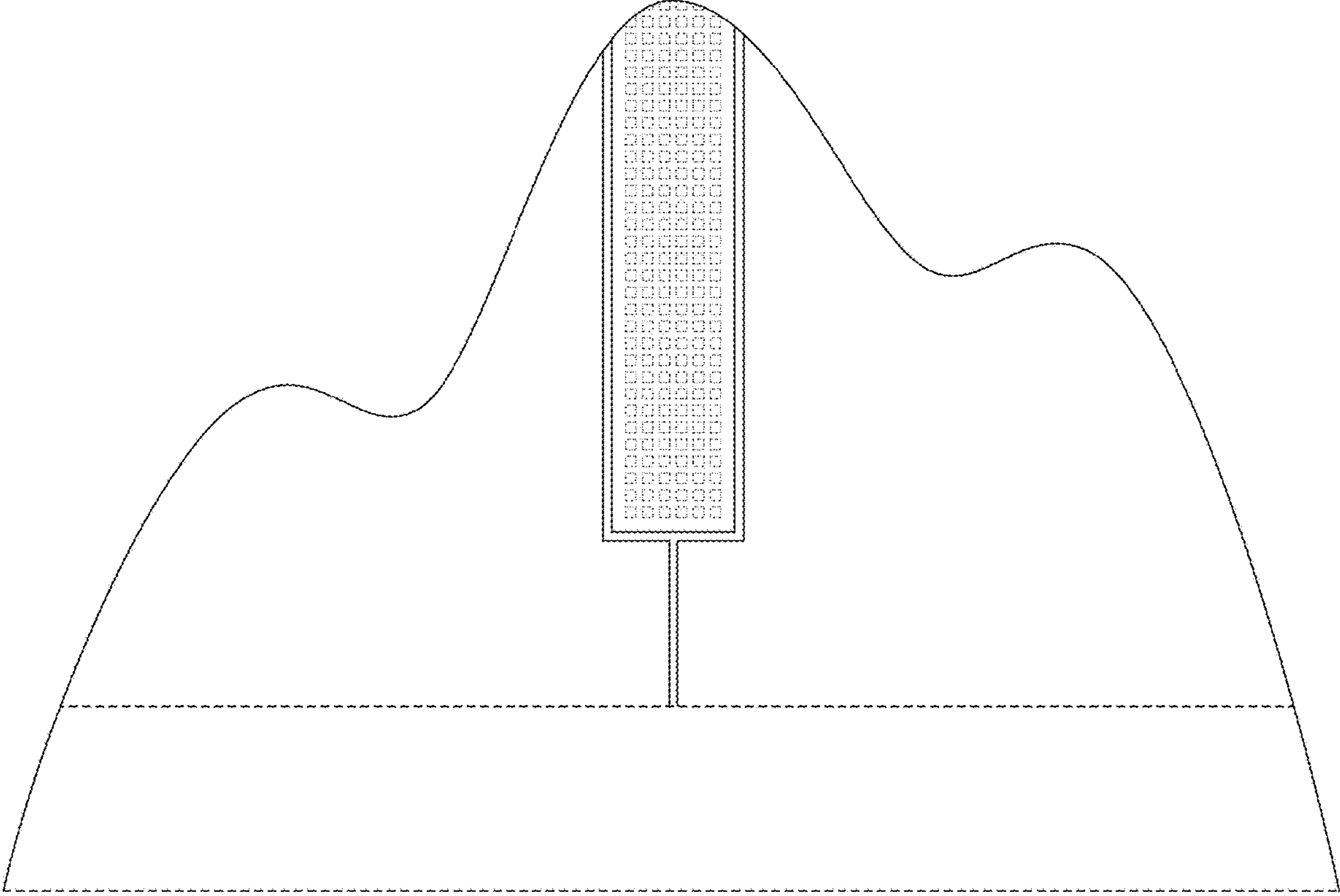


Fig. 15