



US00D956187S

(12) **United States Design Patent**
Brandli

(10) **Patent No.:** **US D956,187 S**
(45) **Date of Patent:** **** Jun. 28, 2022**

(54) **LAVATORY BASIN**

DESCRIPTION

- (71) Applicant: **Willoughby Industries Inc.**,
Indianapolis, IN (US)
- (72) Inventor: **Timothy Brandli**, Zionsville, IN (US)
- (73) Assignee: **Willoughby Industries Inc.**,
Indianapolis, IN (US)
- (**) Term: **15 Years**
- (21) Appl. No.: **29/652,941**
- (22) Filed: **Jan. 14, 2021**
- (51) **LOC (13) Cl.** **23-02**
- (52) **U.S. Cl.**
USPC **D23/284**
- (58) **Field of Classification Search**
USPC D23/284, 286, 291-293.1, 308, 255, 271
See application file for complete search history.

(56) **References Cited**

U.S. PATENT DOCUMENTS

274,642 A	7/1984	Doman	
D507,334 S	7/2005	Ferrer Beltran	
D547,839 S *	7/2007	Helmetsie	D23/293.1
D598,081 S	8/2009	Soulier	
D622,825 S	8/2010	LeTourneau et al.	
D706,949 S	6/2014	Haluska	

(Continued)

OTHER PUBLICATIONS

Willoughby Lavatory [online], Apr. 17, 2017 [retrieved on Oct. 2, 2017]. Retrieved from the Internet: <URL: <http://www.pmengineer.com/articles/93052-lavatory-system-from-willoughby-industries>>.

Primary Examiner — Robert A Delehanty
(74) *Attorney, Agent, or Firm* — Woodard, Emhardt,
Henry, Reeves & Wagner, LLP

(57) **CLAIM**

The ornamental design for a lavatory basin, as shown and described.

FIG. 1 is a left perspective view of a first embodiment of a lavatory basin.

FIG. 2 is a right perspective view of the first embodiment of the lavatory basin.

FIG. 3 is a front elevation view of the first embodiment of the lavatory basin.

FIG. 4 is a back elevation view of the first embodiment of the lavatory basin.

FIG. 5 is a right elevation view of the first embodiment of the lavatory basin.

FIG. 6 is a left elevation view of the first embodiment of the lavatory basin.

FIG. 7 is a top plan view of the first embodiment of the lavatory basin.

FIG. 8 is a bottom plan view of the first embodiment of the lavatory basin.

FIG. 9 is a left perspective view of a second embodiment of a lavatory basin.

FIG. 10 is a right perspective view of the second embodiment of the lavatory basin.

FIG. 11 is a front elevation view of the second embodiment of the lavatory basin.

FIG. 12 is a back elevation view of the second embodiment of the lavatory basin.

FIG. 13 is a right elevation view of the second embodiment of the lavatory basin.

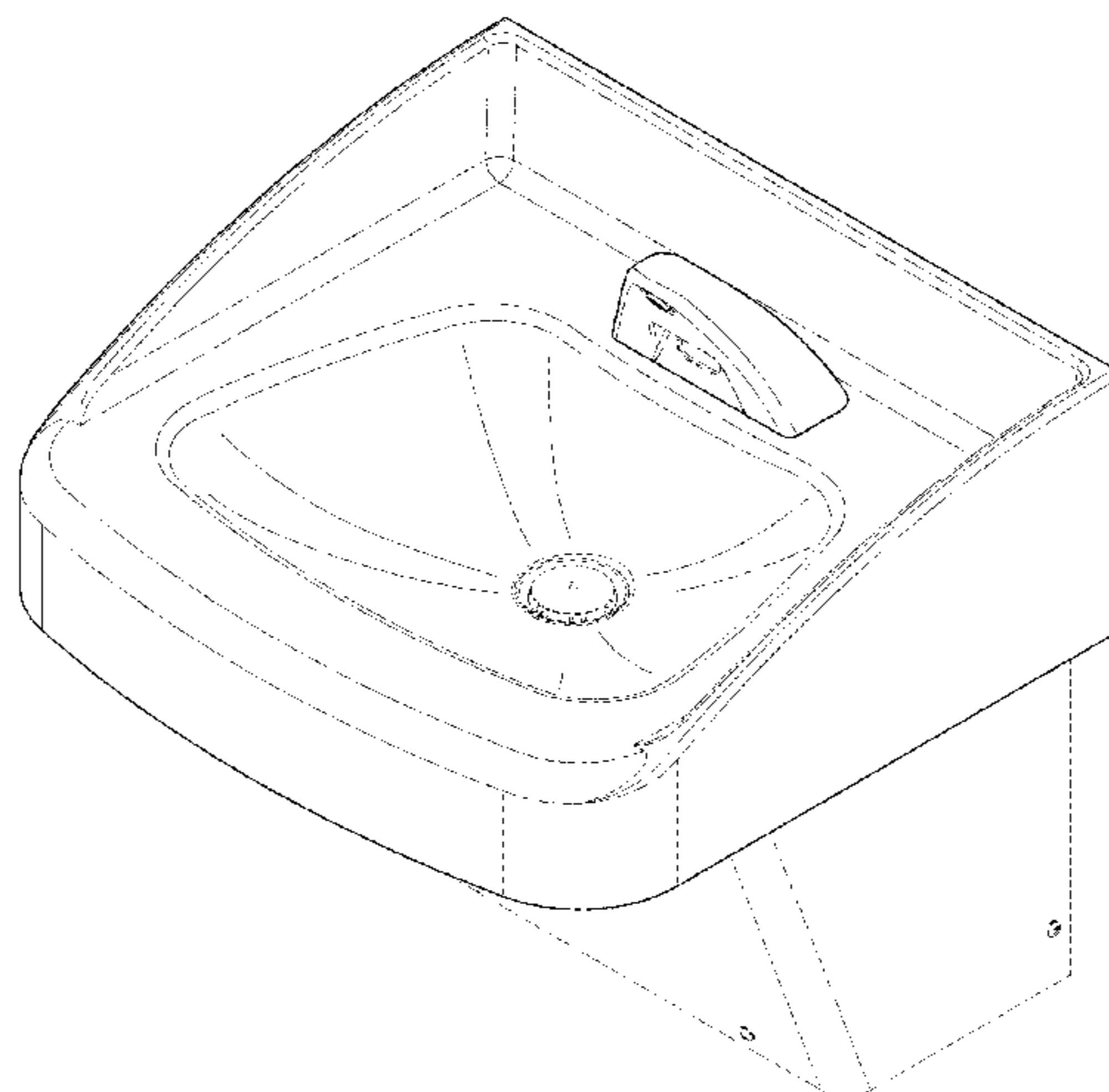
FIG. 14 is a left elevation view of the second embodiment of the lavatory basin.

FIG. 15 is a top plan view of the second embodiment of the lavatory basin; and,

FIG. 16 is a bottom plan view of the second embodiment of the lavatory basin.

The broken lines in the drawings illustrate subject matter which forms no part of the claimed design.

1 Claim, 16 Drawing Sheets



(56)

References Cited

U.S. PATENT DOCUMENTS

D721,426 S	1/2015	Bartlett et al.	
D744,074 S	11/2015	Adkison et al.	
D744,620 S	12/2015	Adkison et al.	
D745,122 S	12/2015	Schonherr et al.	
D745,951 S	12/2015	Schonherr et al.	
D753,803 S	4/2016	Gompper et al.	
D763,415 S	8/2016	Gompper et al.	
D791,288 S	7/2017	Schonherr et al.	
D803,996 S	11/2017	Brandli	
D804,621 S	12/2017	Brandli	
D809,112 S	1/2018	Boeltl	
D809,634 S	2/2018	Brandli	
D840,523 S	2/2019	Boeltl et al.	
D841,785 S	2/2019	Adkison et al.	
D864,362 S	10/2019	Brandli	
D935,569 S *	11/2021	deLoache, III	D23/255
D936,804 S *	11/2021	Boeltl	D23/284

* cited by examiner

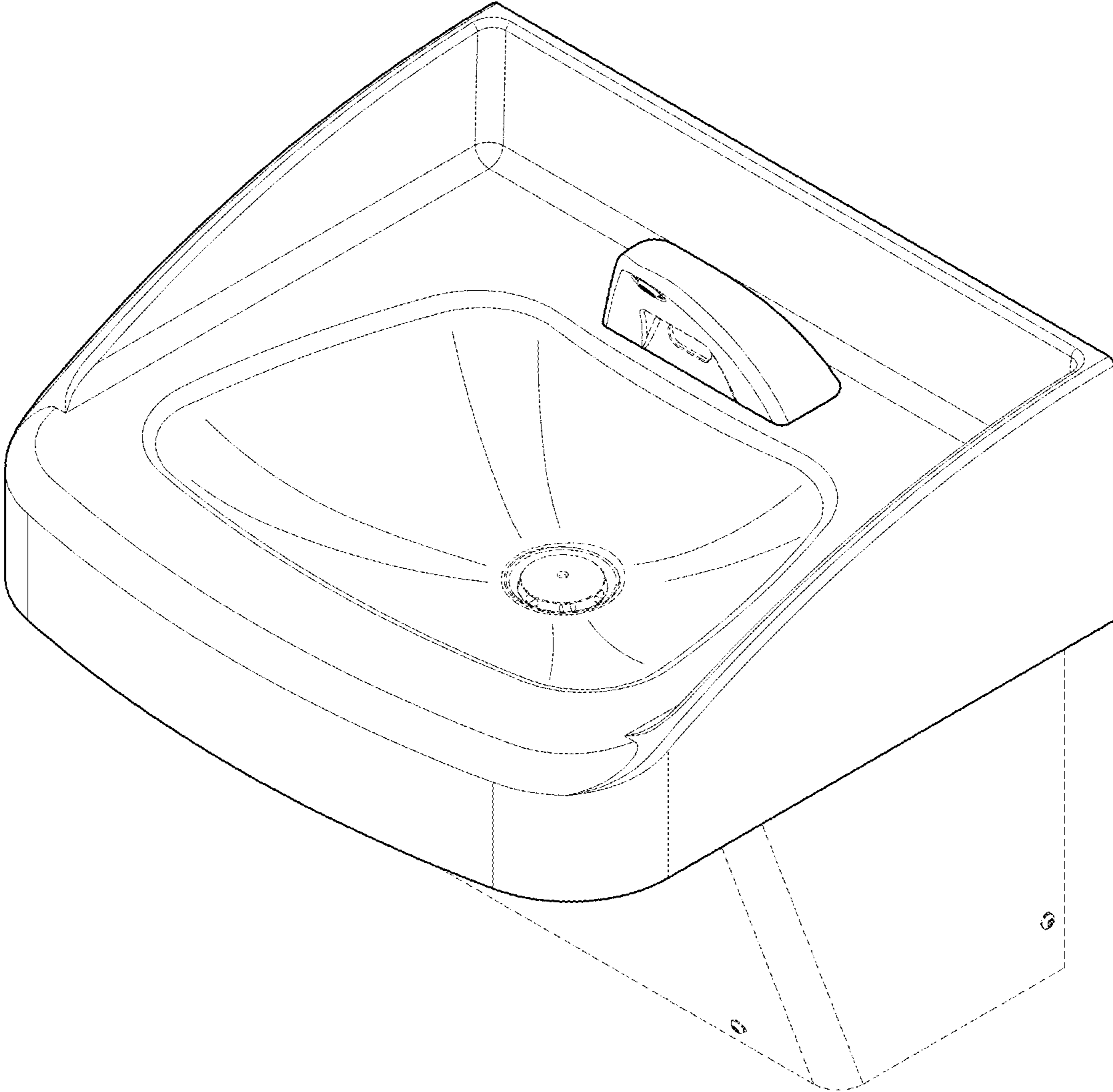


Fig. 1

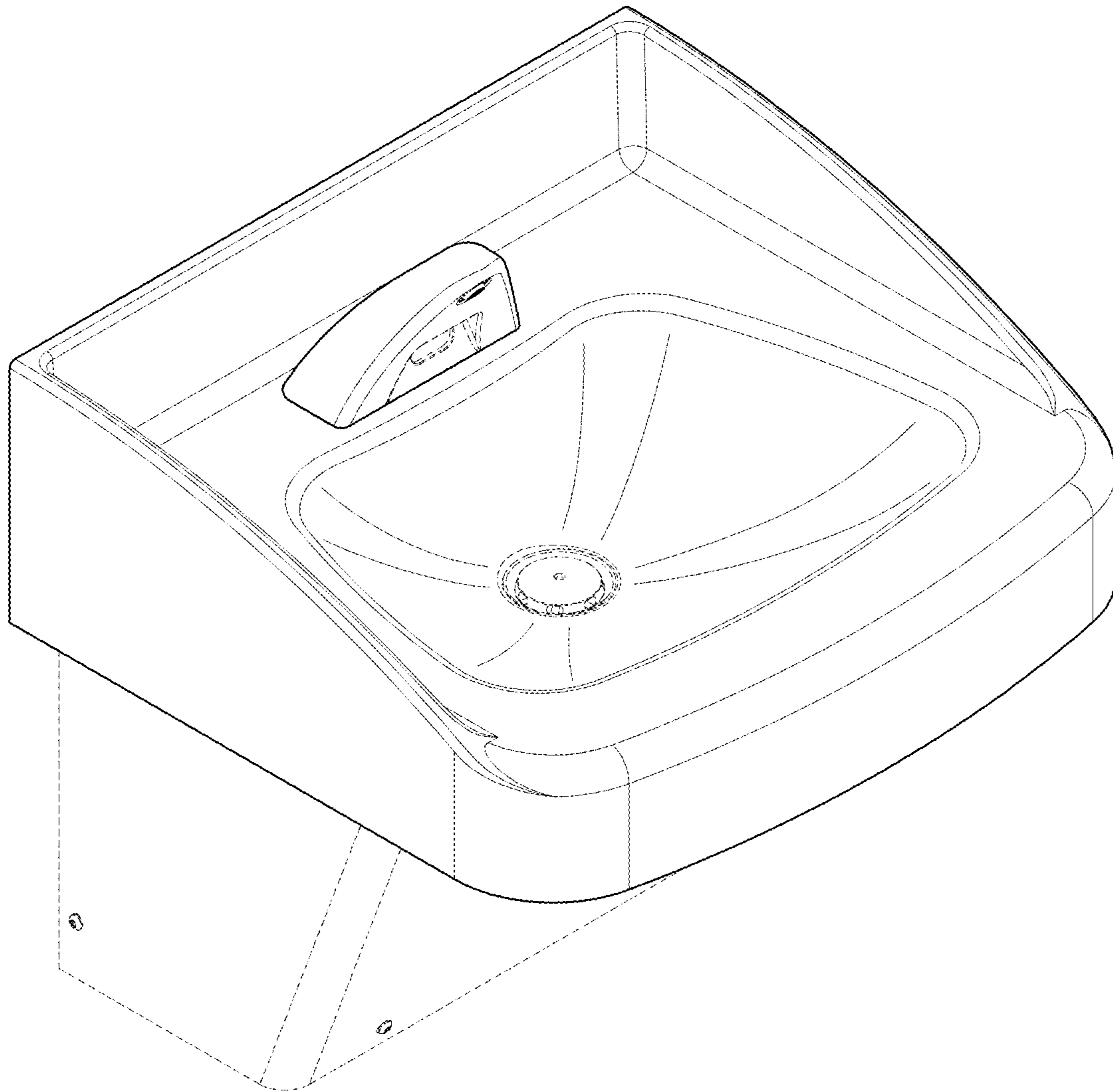


Fig. 2

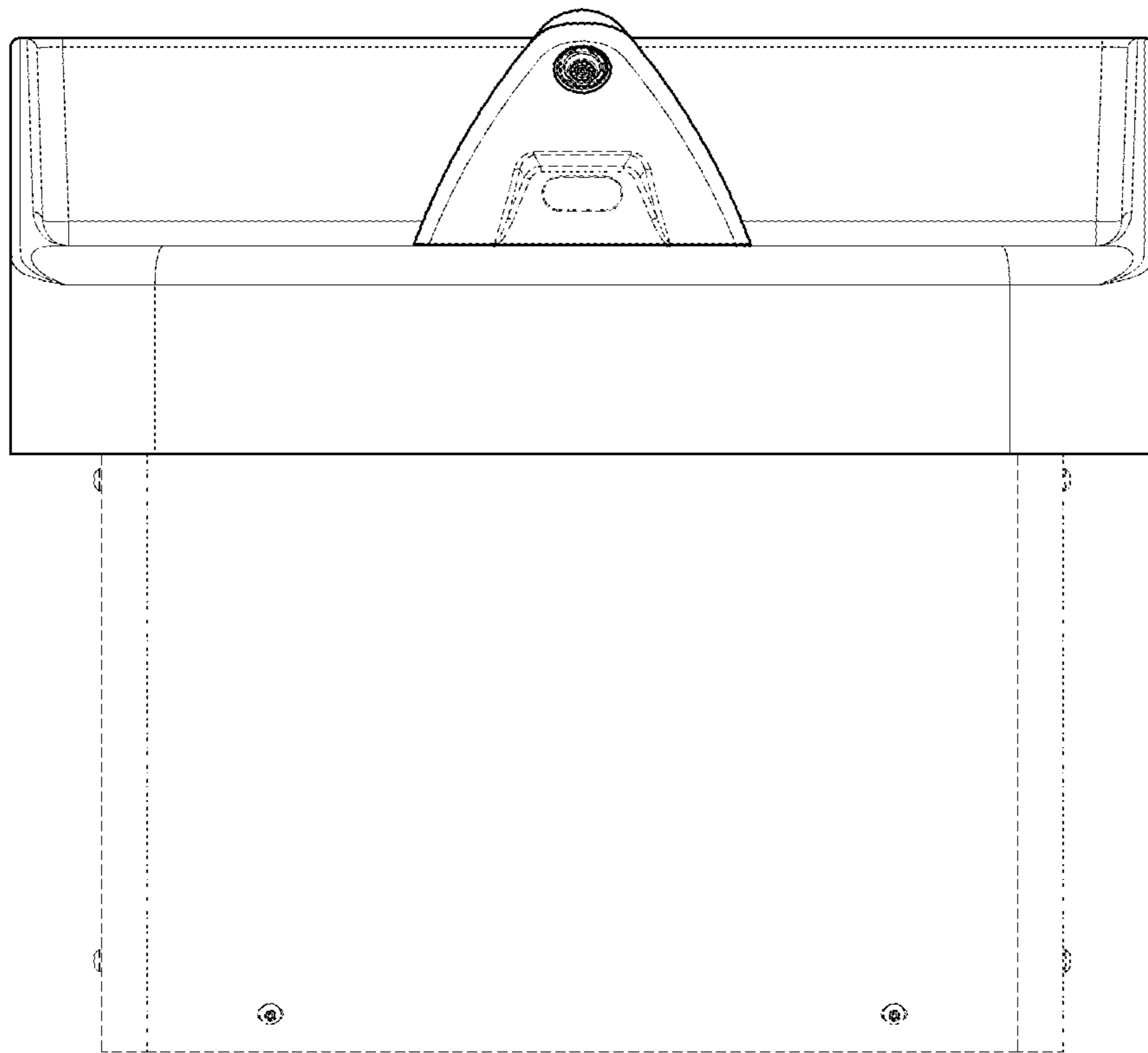


Fig. 3

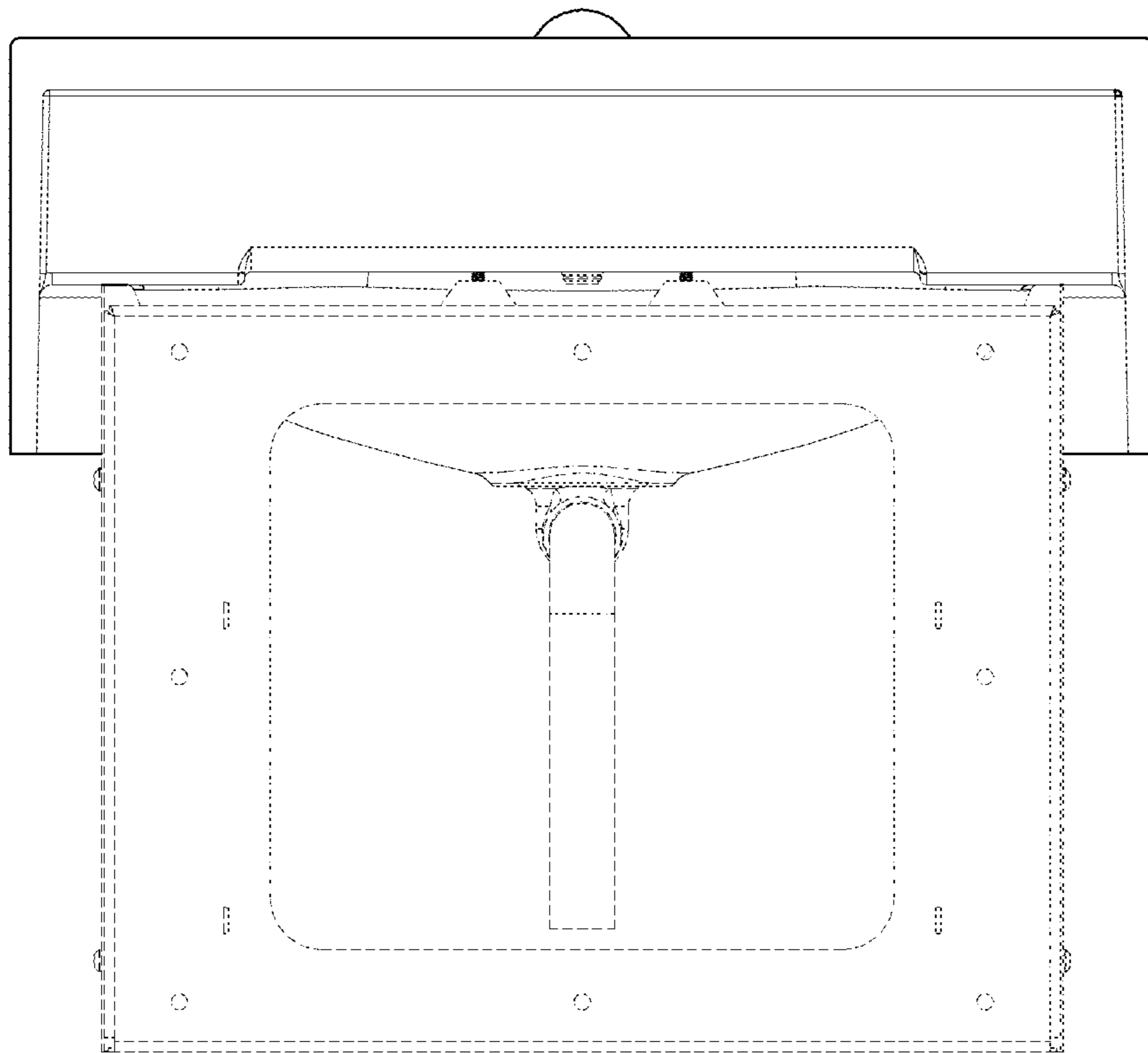


Fig. 4

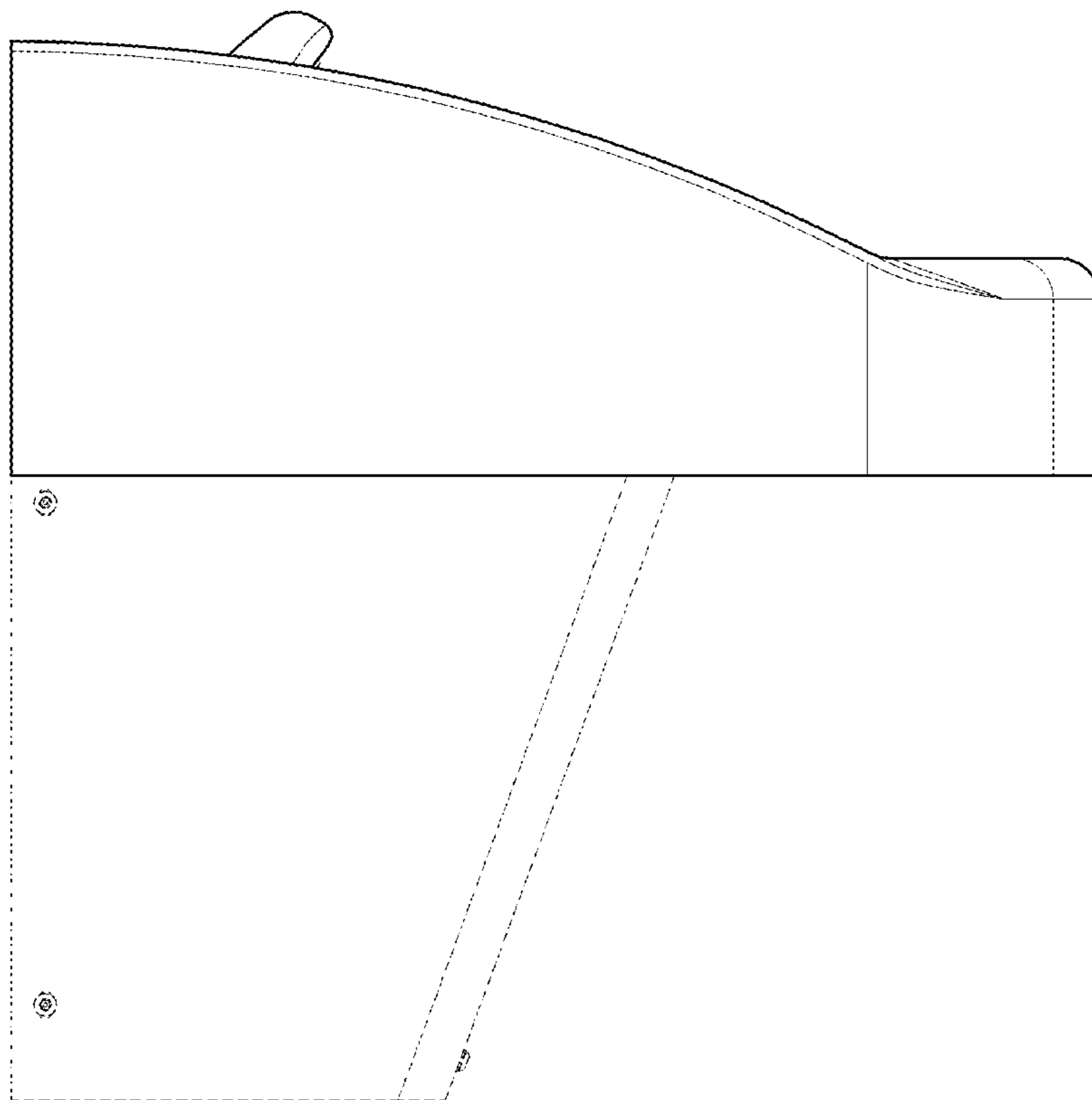


Fig. 5

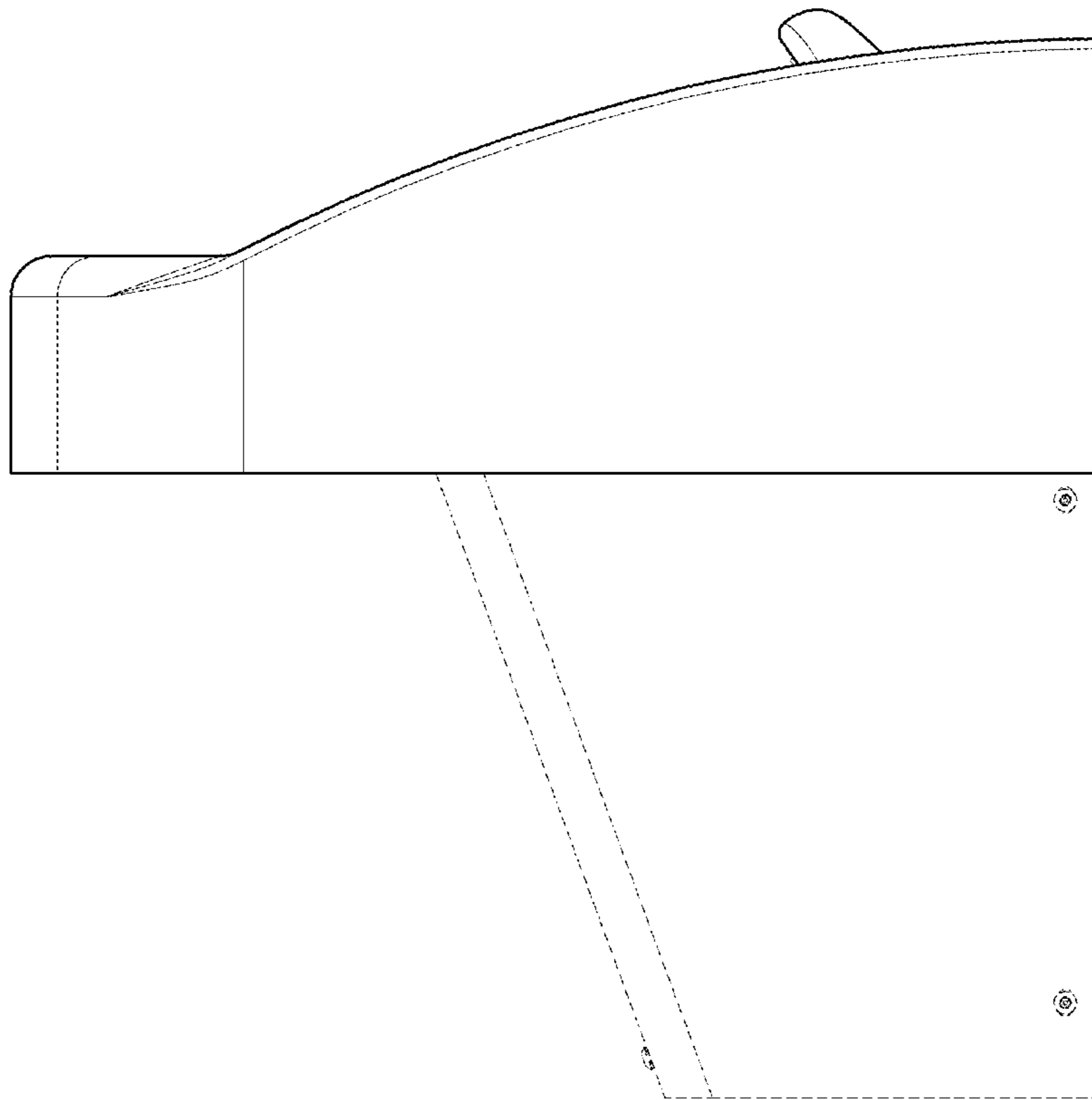


Fig. 6

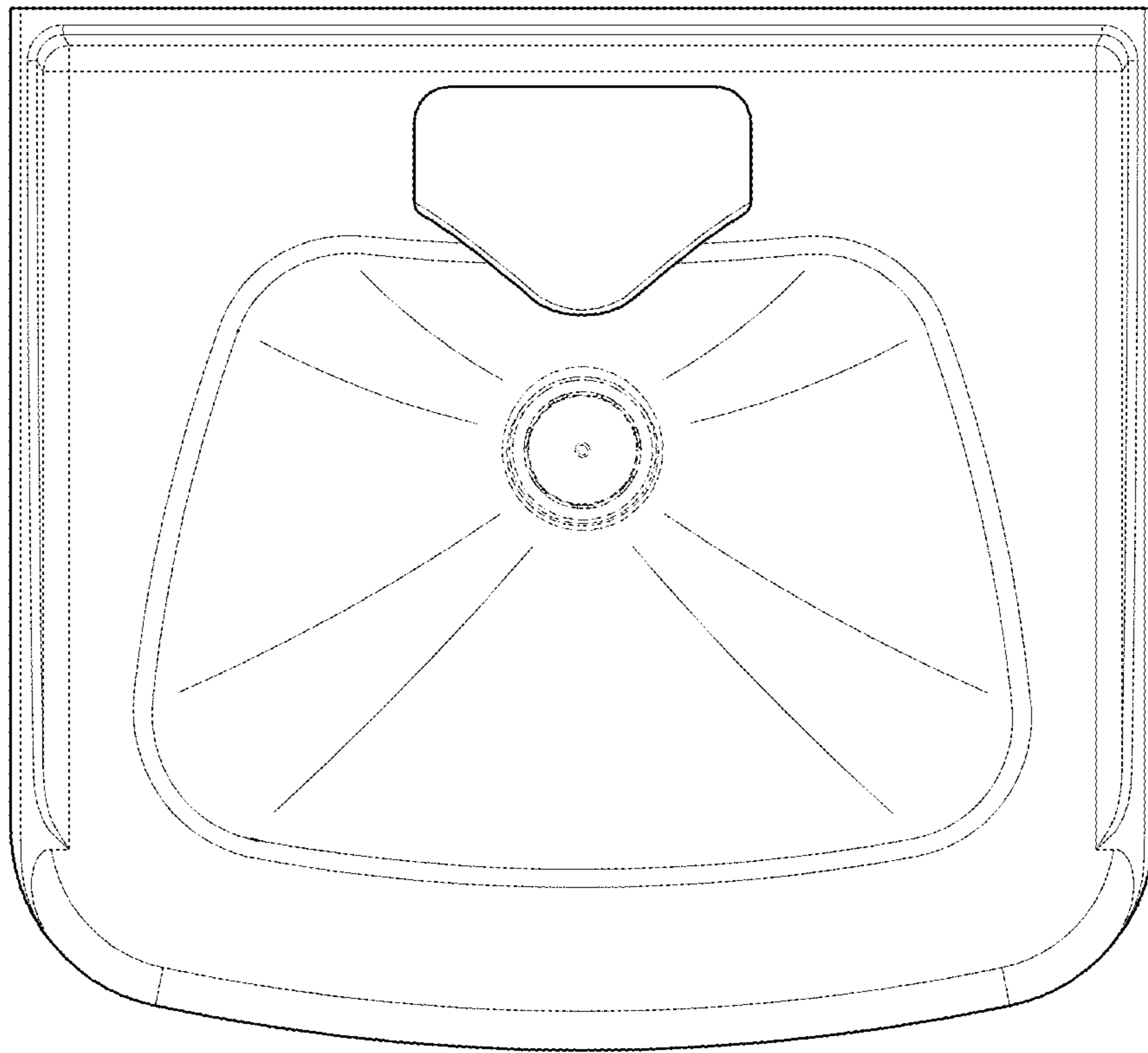


Fig. 7

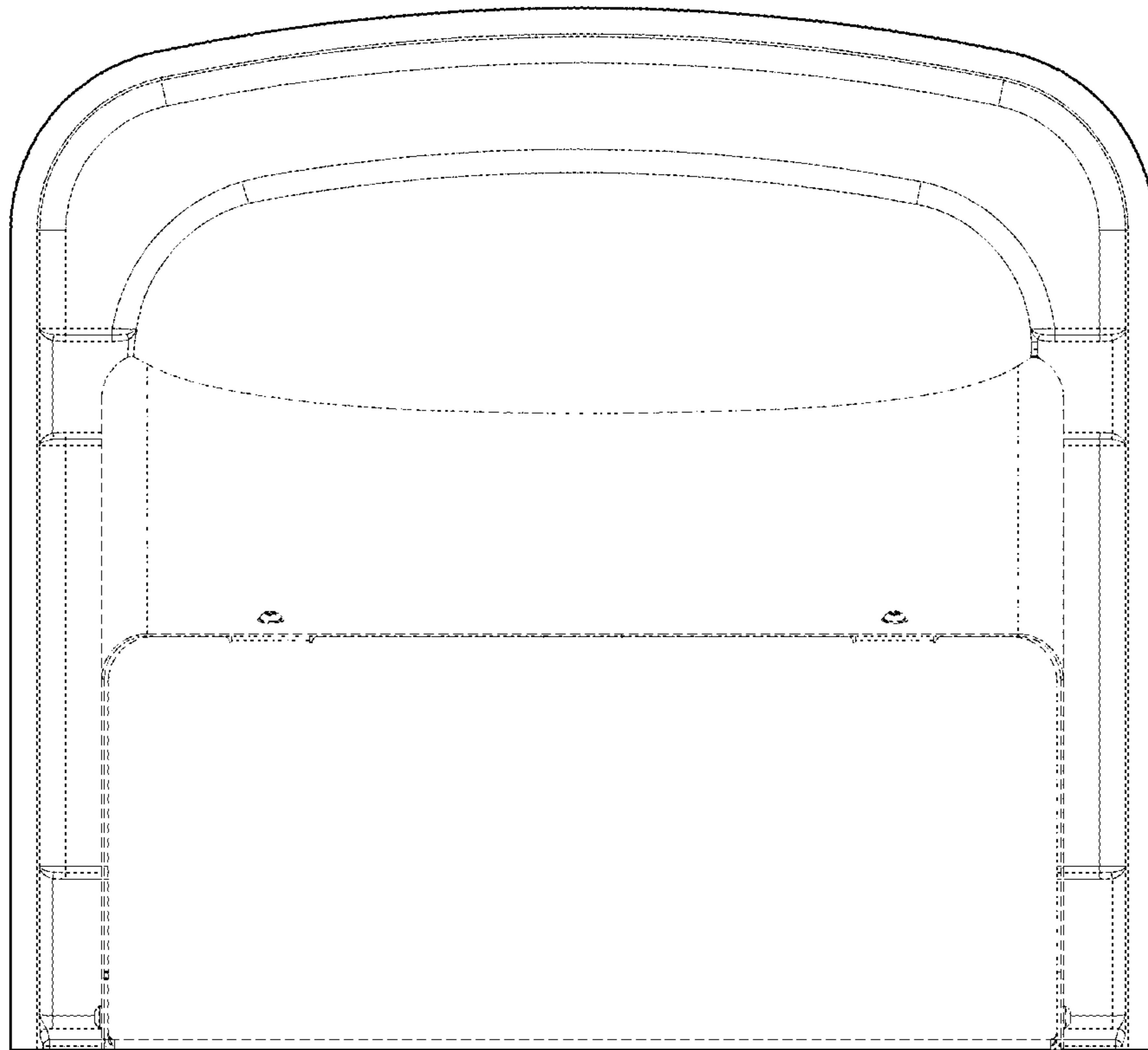


Fig. 8

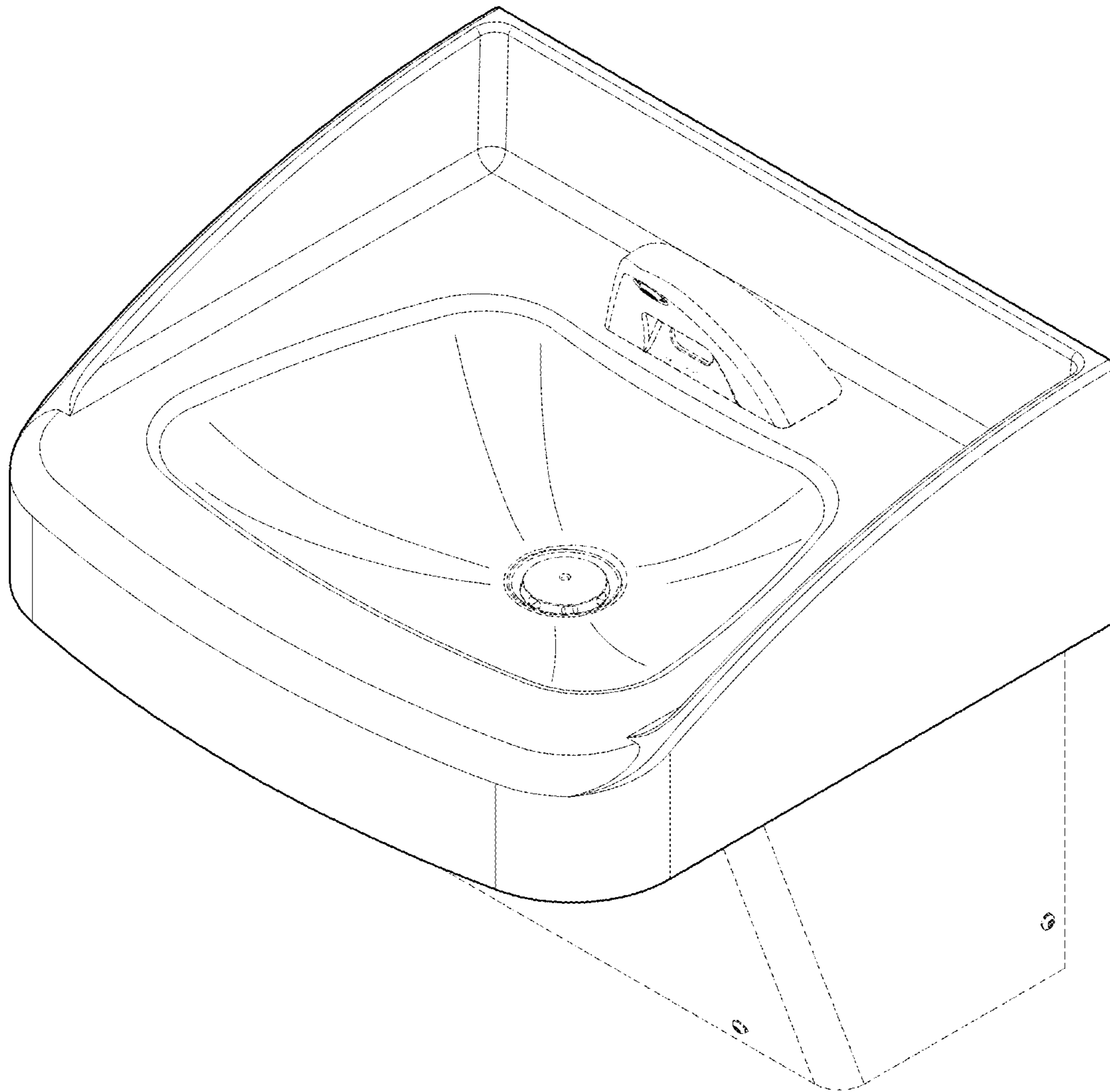


Fig. 9

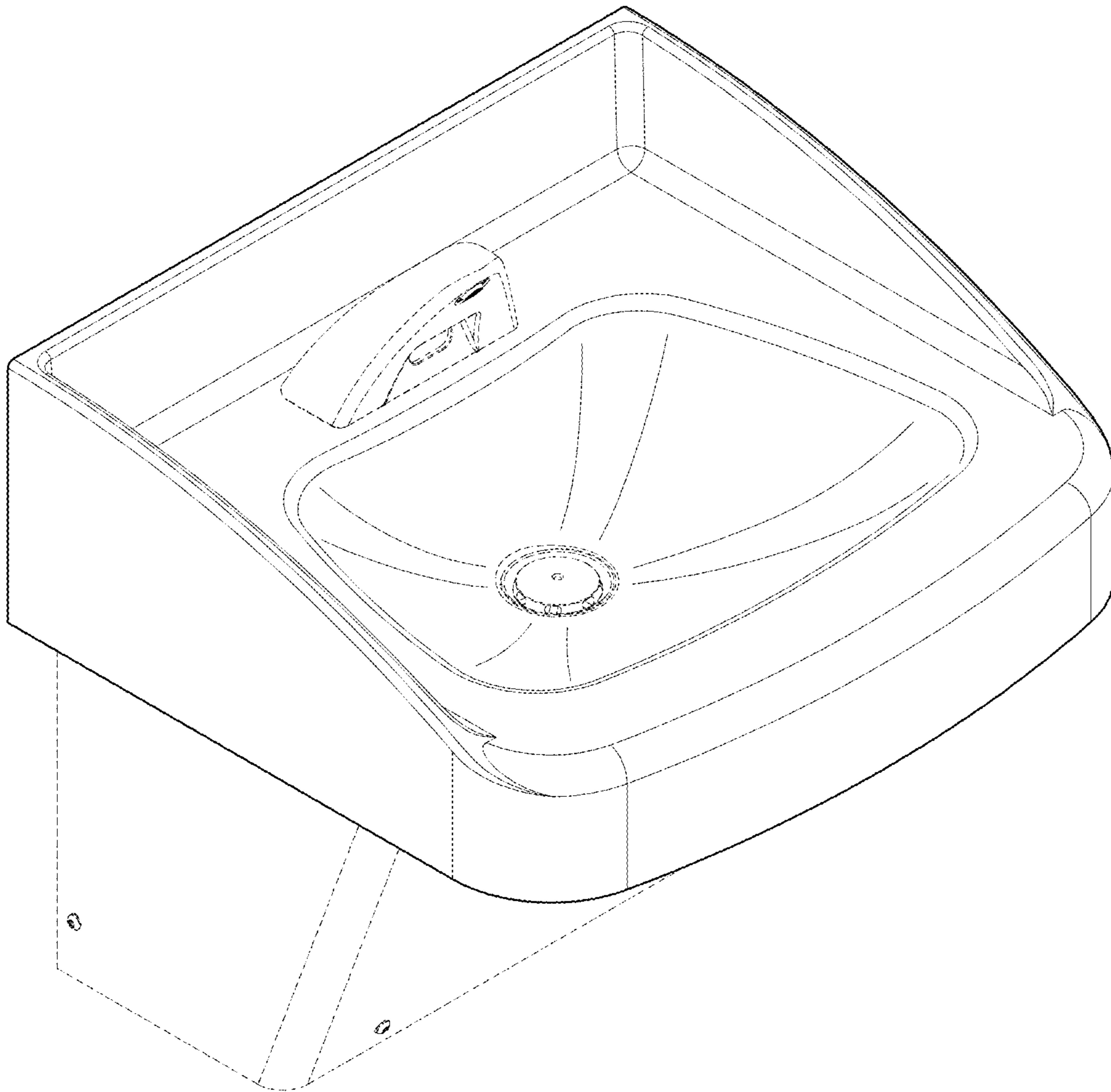


Fig. 10

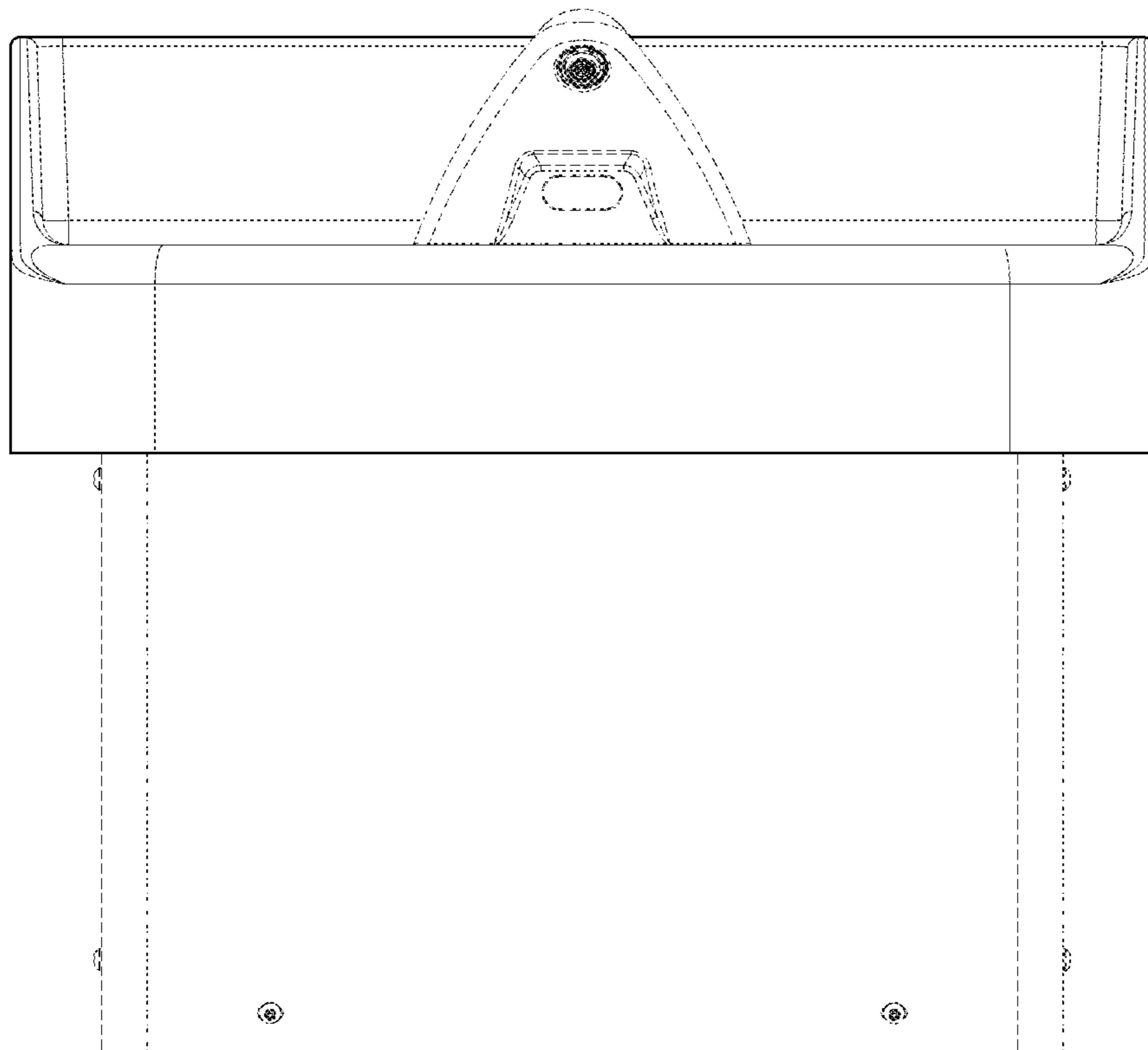


Fig. 11

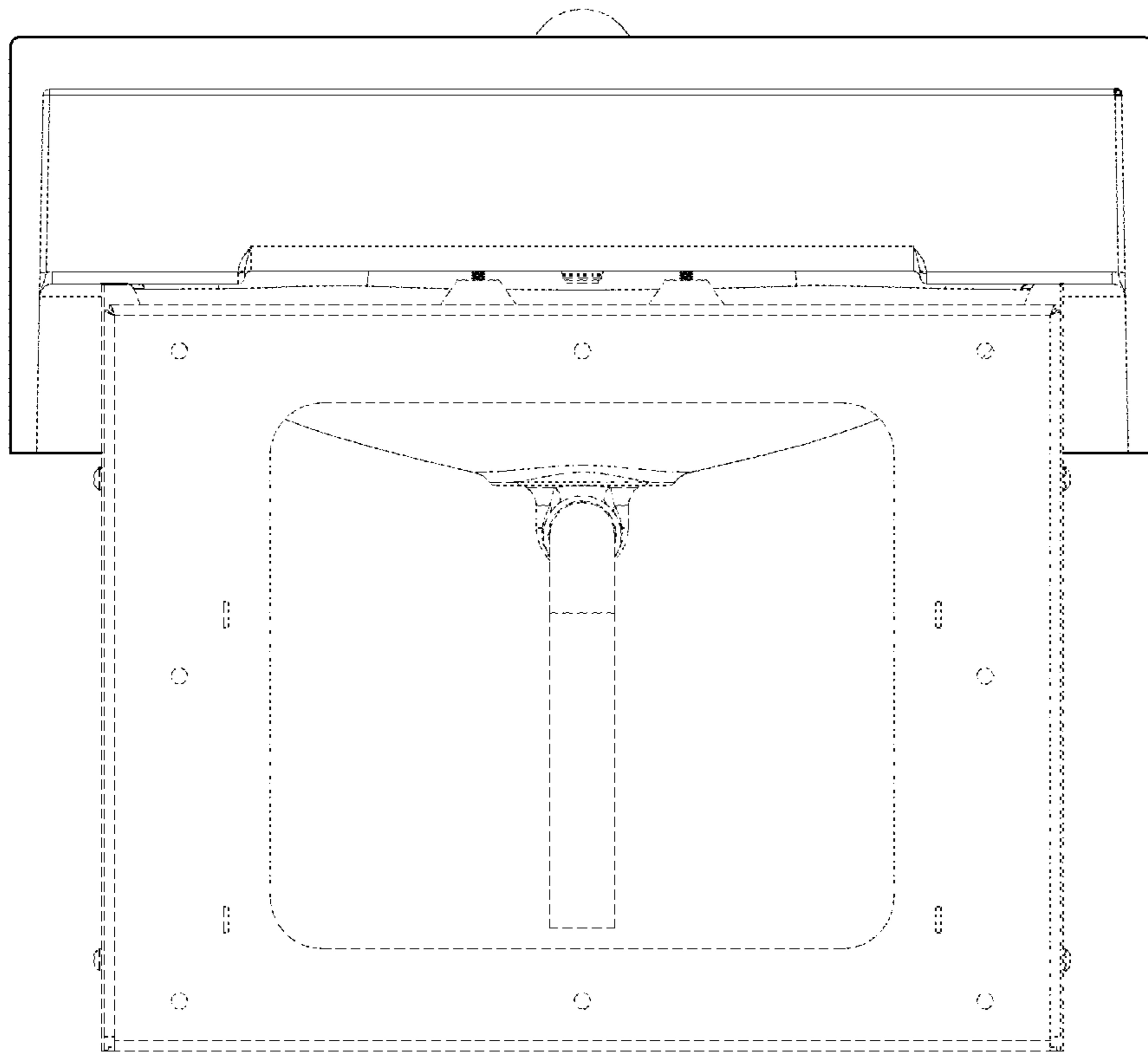


Fig. 12

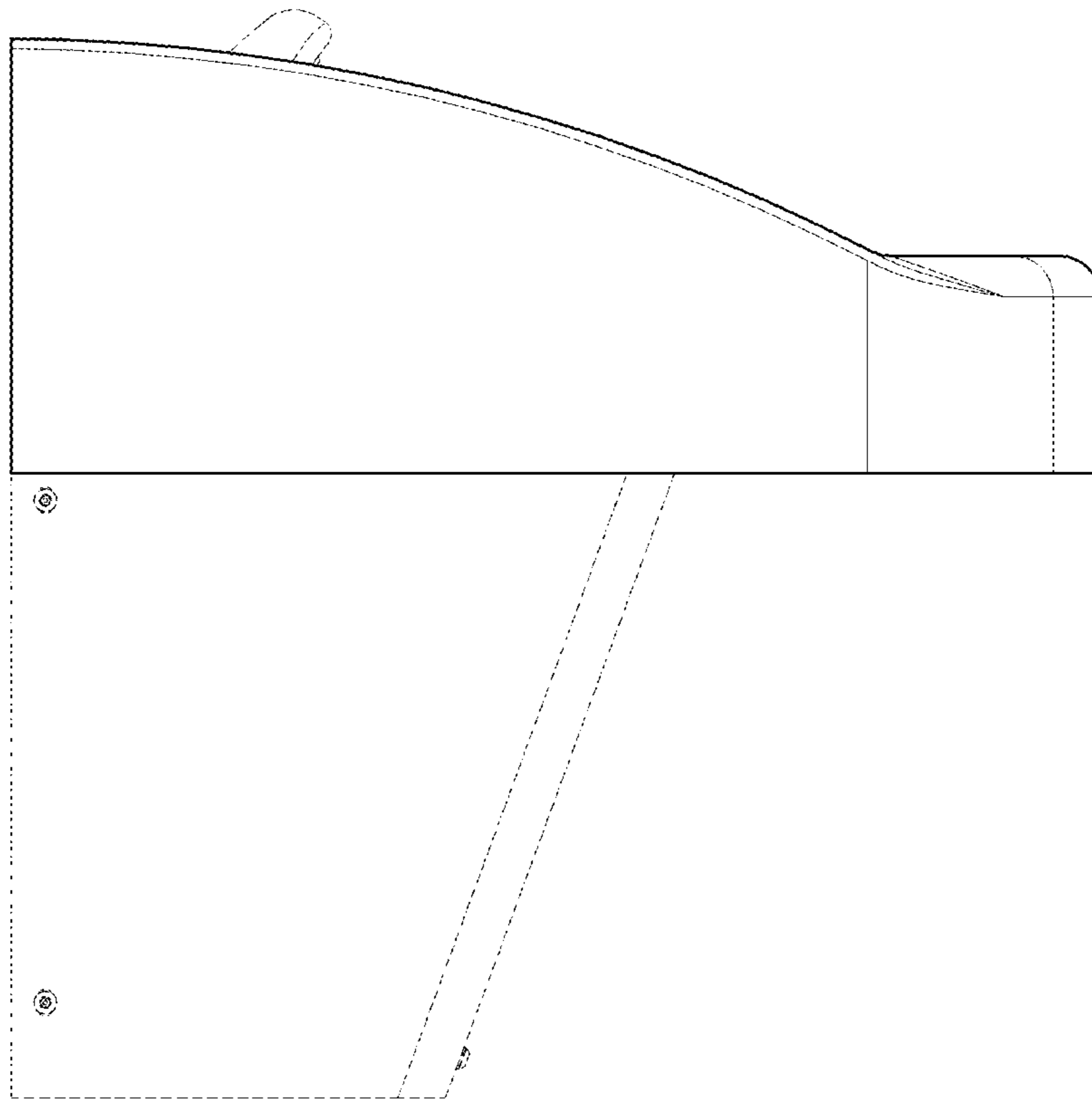


Fig. 13

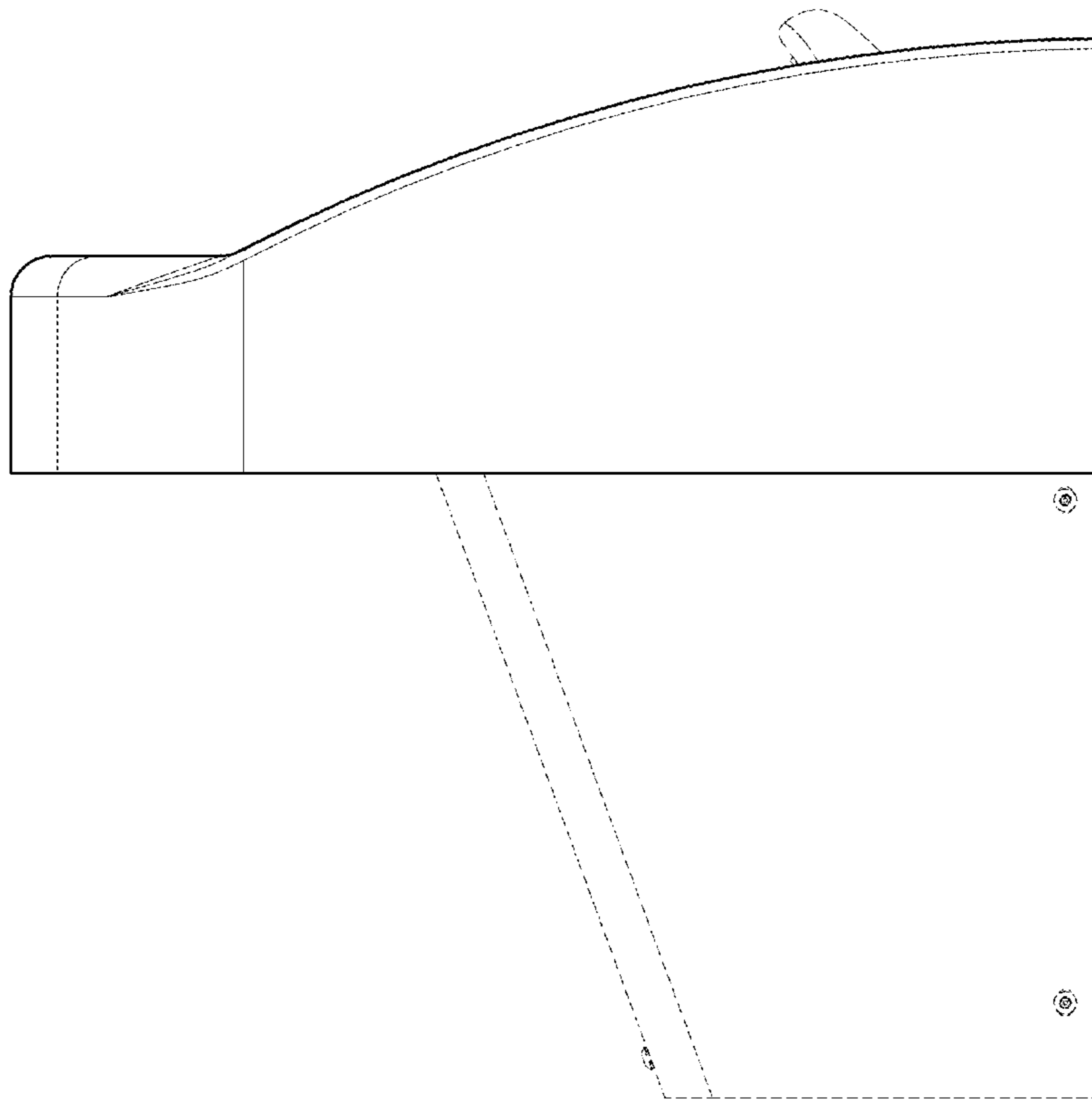


Fig. 14

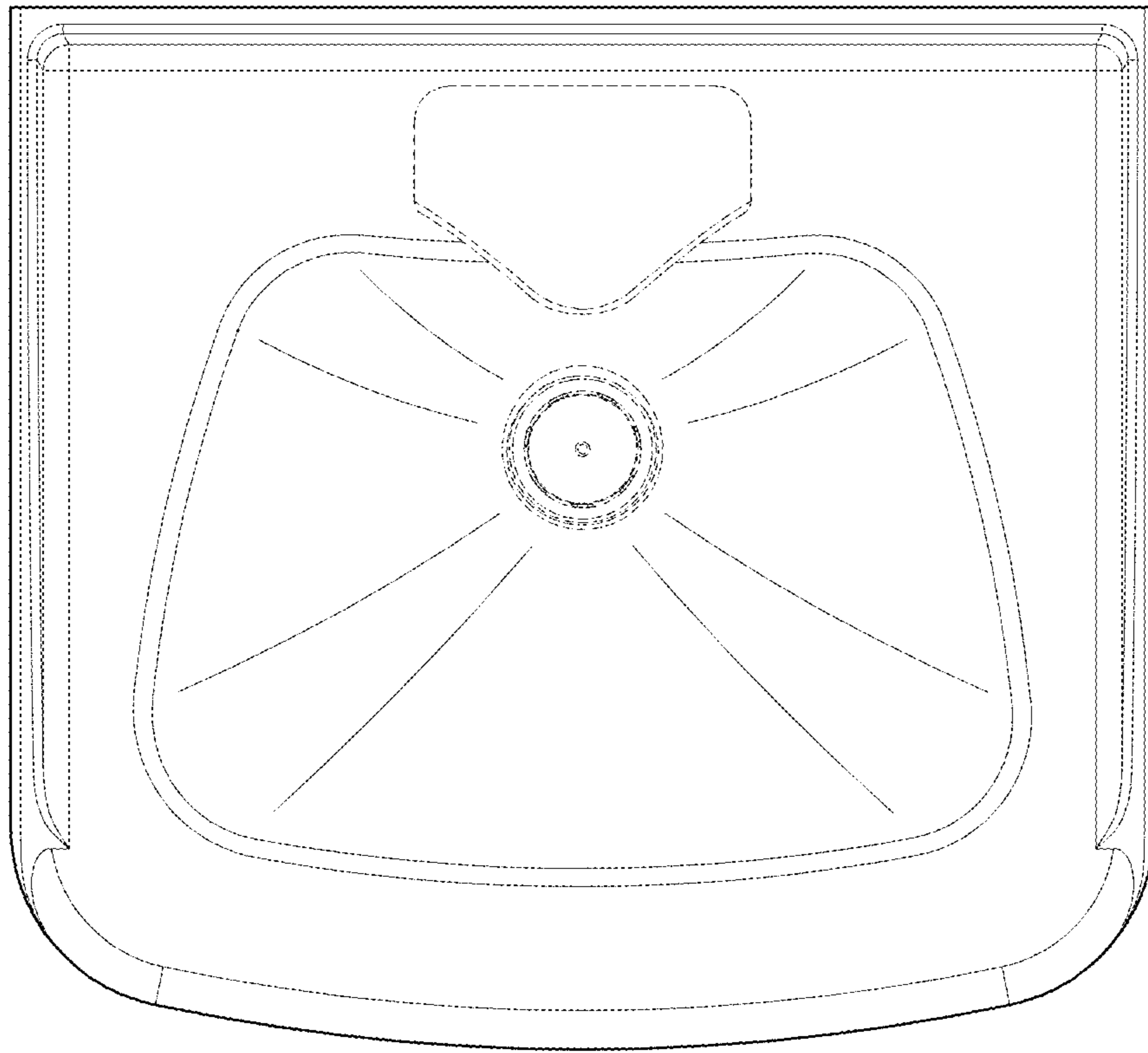


Fig. 15

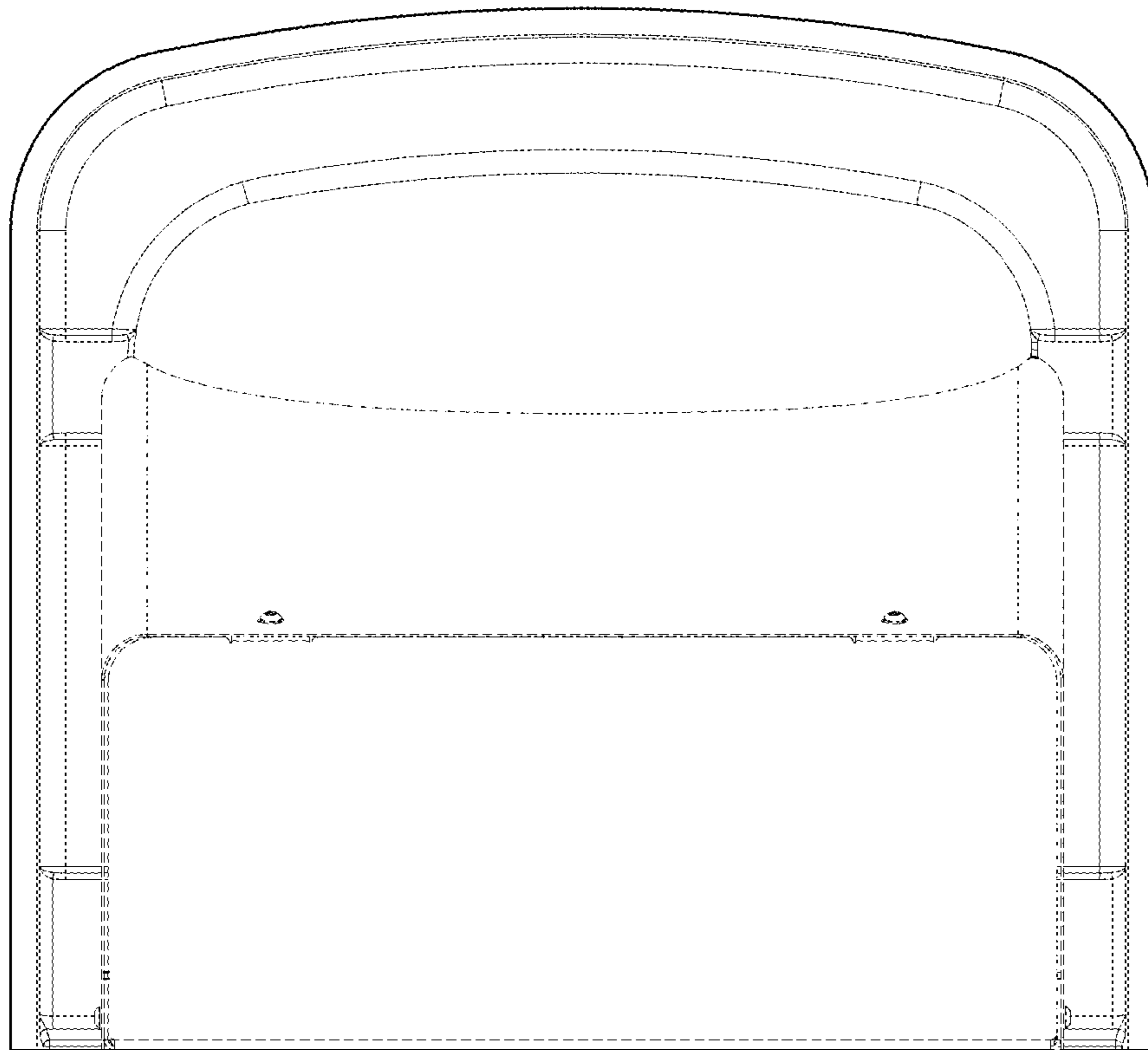


Fig. 16