



US00D956185S

(12) **United States Design Patent**  
**Li**

(10) **Patent No.:** **US D956,185 S**  
(45) **Date of Patent:** **\*\* Jun. 28, 2022**

- (54) **VALVE**
- (71) Applicant: **Chunmei Li**, Hengyang (CN)
- (72) Inventor: **Chunmei Li**, Hengyang (CN)
- (\*\*) Term: **15 Years**
- (21) Appl. No.: **29/802,615**
- (22) Filed: **Aug. 6, 2021**
- (51) **LOC (13) Cl.** ..... **23-01**
- (52) **U.S. Cl.**  
USPC ..... **D23/245**
- (58) **Field of Classification Search**  
USPC ..... D23/233, 245, 238  
CPC ..... F16K 1/304; F16K 1/36  
See application file for complete search history.

- D736,896 S 8/2015 Nishimura
- D739,919 S 9/2015 Alexander
- D753,268 S 4/2016 Nishimura
- D817,454 S \* 5/2018 Sato ..... D23/245
- D835,240 S 12/2018 Ben Yaacov
- D857,853 S \* 8/2019 Shinozaki ..... D23/245
- D886,248 S 6/2020 Ji Ho

\* cited by examiner

*Primary Examiner* — Gino Colan  
(74) *Attorney, Agent, or Firm* — Runit R. Kanakia

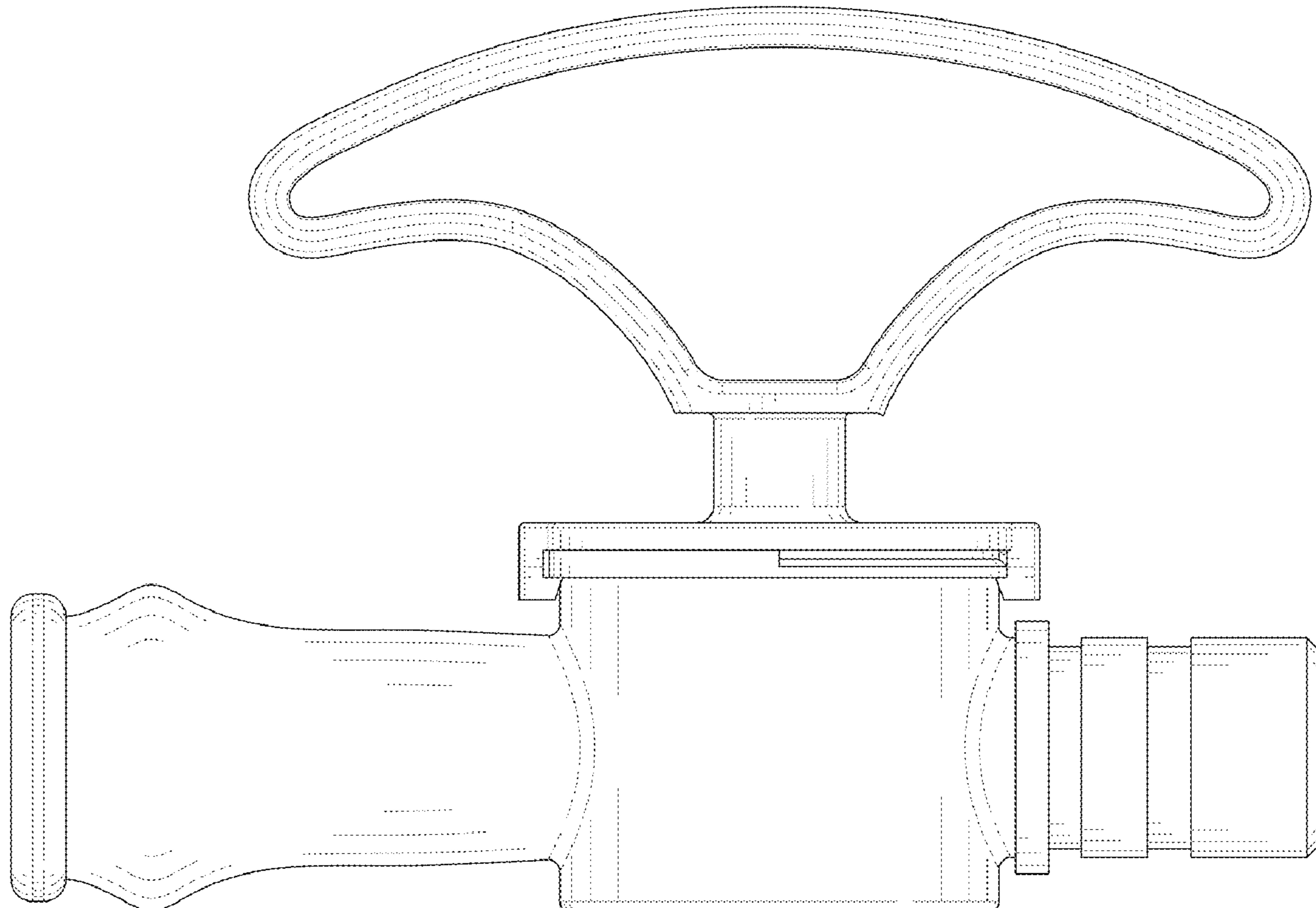
(57) **CLAIM**  
The ornamental design for a valve, as shown and described.

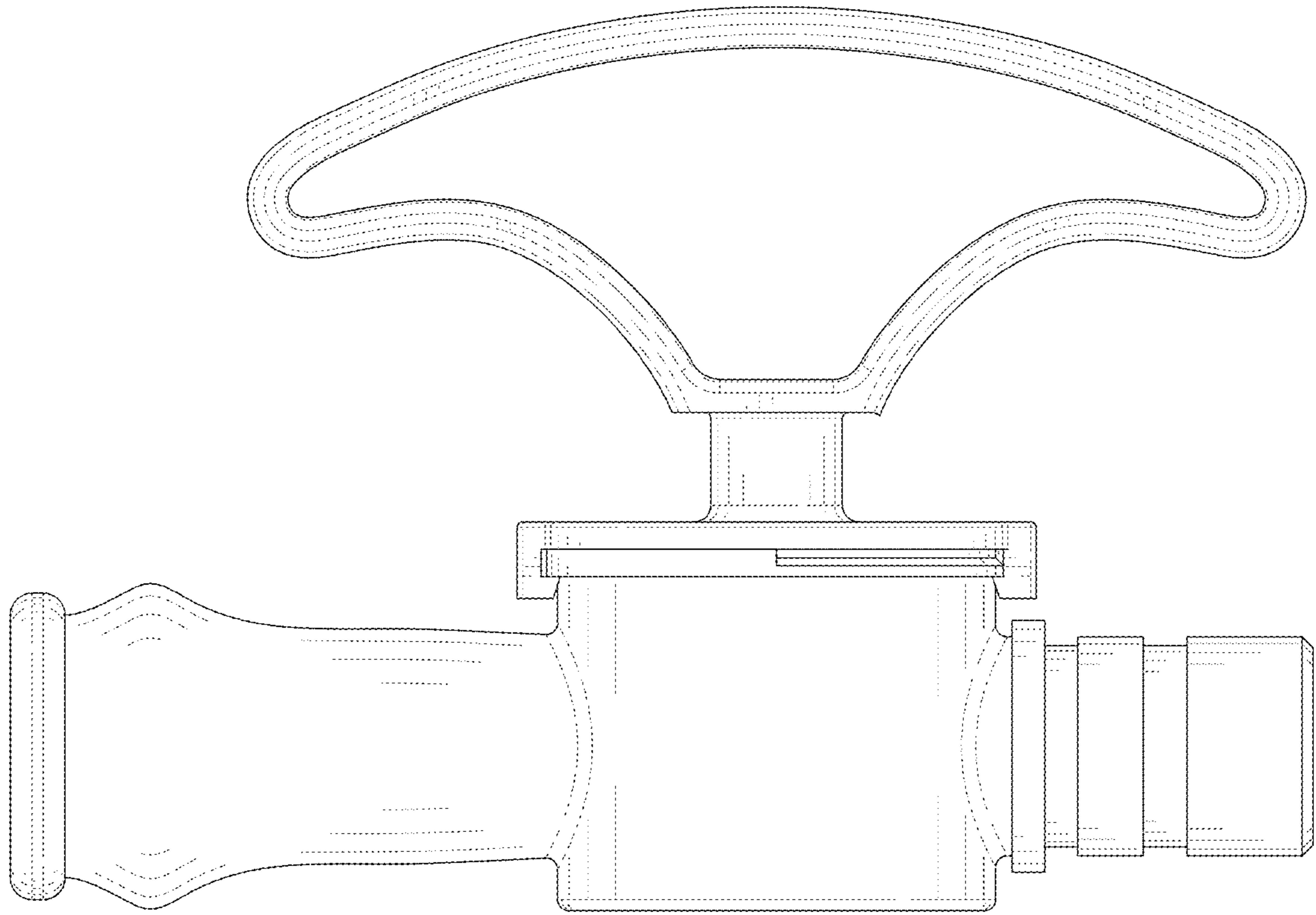
**DESCRIPTION**

FIG. 1 is a front elevational view of a valve showing my new design;  
 FIG. 2 is a rear elevational view thereof; and  
 FIG. 3 is a left elevational view thereof;  
 FIG. 4 is a right side view thereof;  
 FIG. 5 is a top side view thereof;  
 FIG. 6 is a bottom plan view thereof;  
 FIG. 7 is a perspective view of a valve showing my new design; and,  
 FIG. 8 is another perspective view thereof.  
 The broken lines in the figures are for the purposes of illustrating portions of the valve, which form no part of the claimed design.

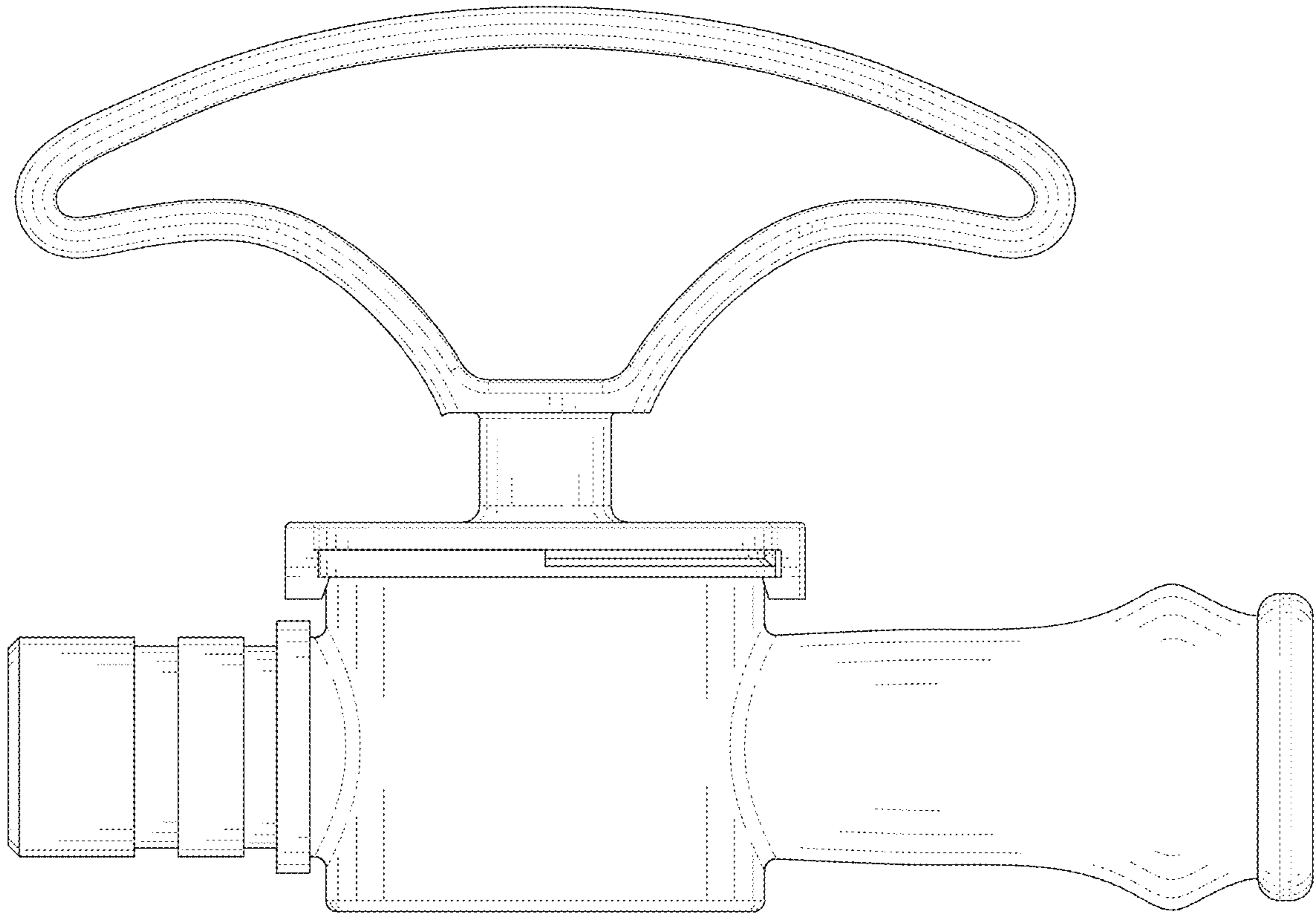
- (56) **References Cited**  
U.S. PATENT DOCUMENTS
- D345,006 S \* 3/1994 Gallagher ..... D23/245
- D400,970 S \* 11/1998 Voo ..... D23/245
- D455,474 S \* 4/2002 Knobel ..... D23/245
- D499,794 S 12/2004 Comer
- D517,172 S 3/2006 Tripp
- D559,955 S 1/2008 Donovan
- D624,628 S 9/2010 Haynes
- D634,813 S 3/2011 Hernandez, IV
- D701,945 S \* 4/2014 Mitsuoka ..... D23/245

**1 Claim, 8 Drawing Sheets**

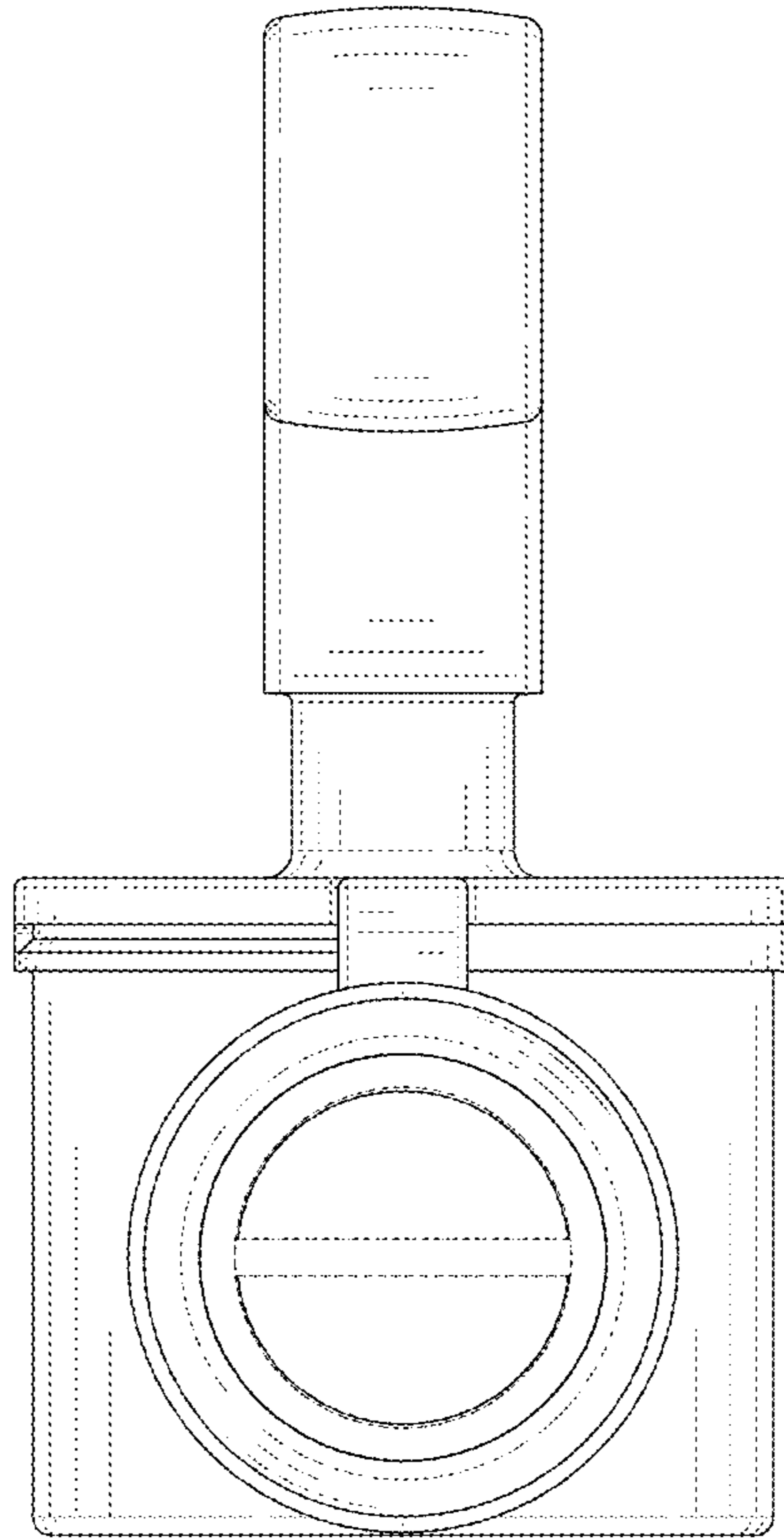




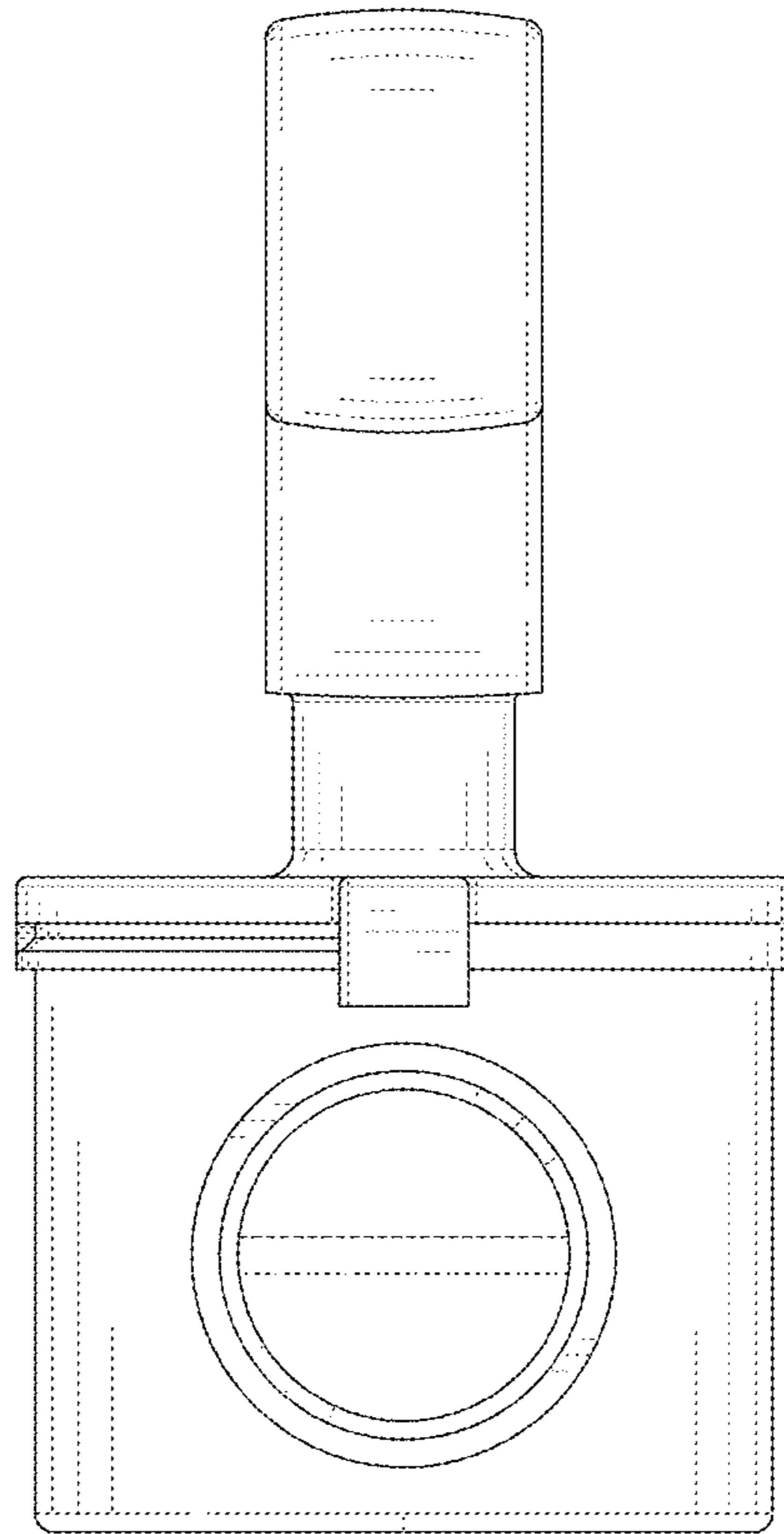
***FIG. 1***



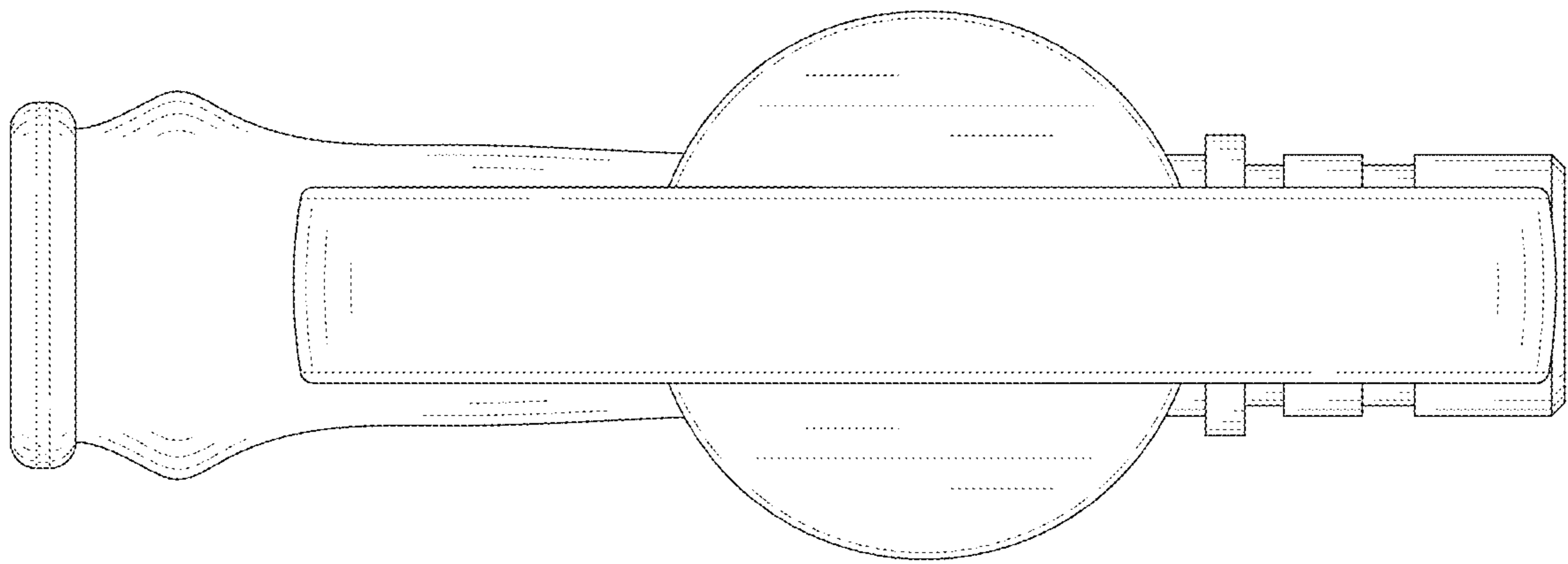
**FIG. 2**



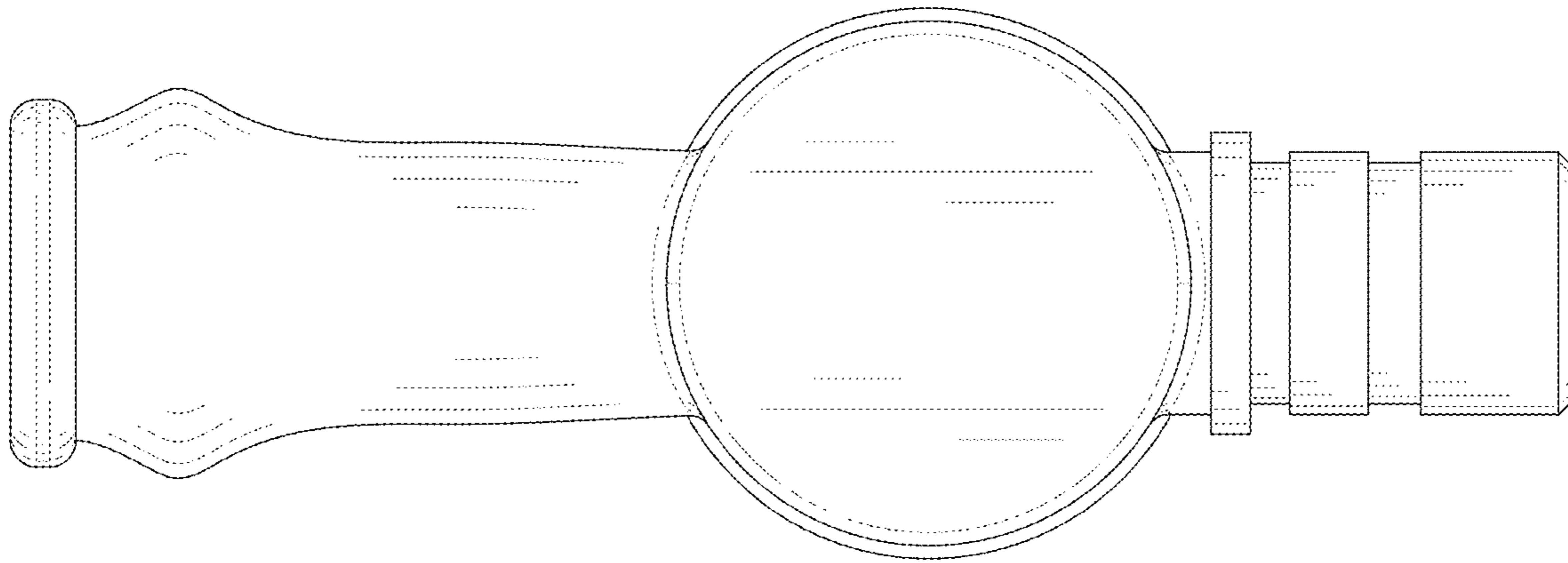
***FIG. 3***



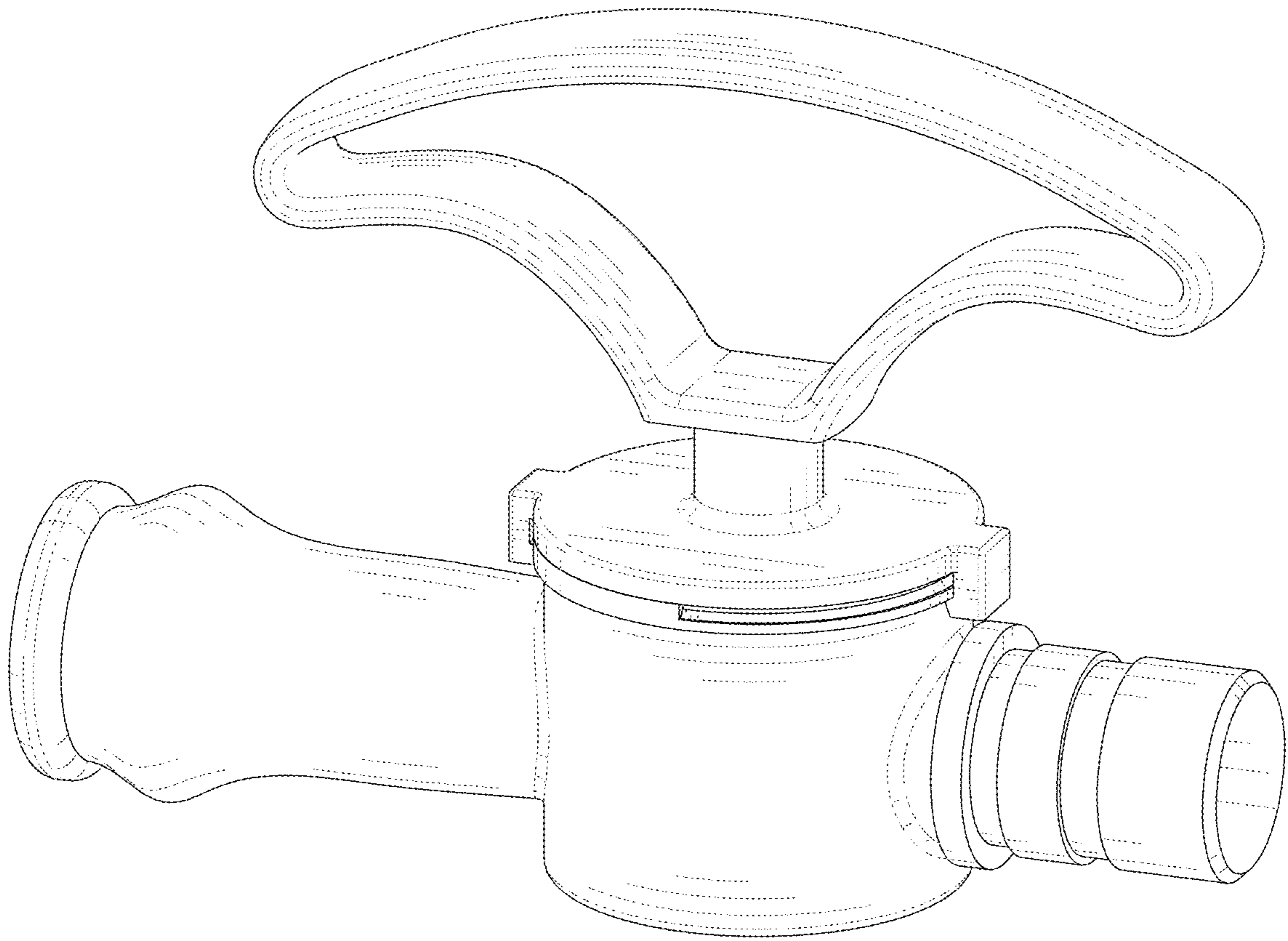
***FIG. 4***



**FIG. 5**

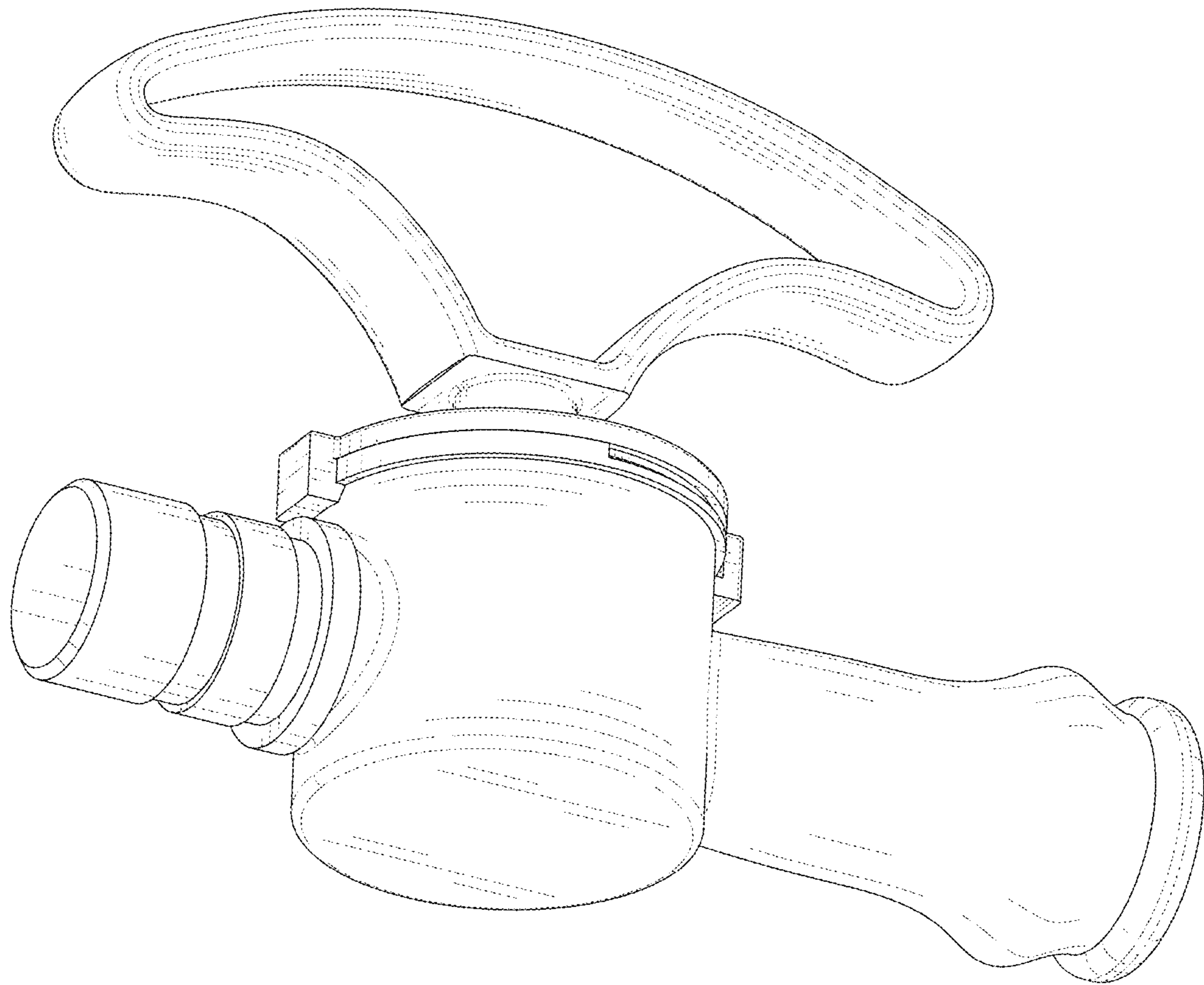


**FIG. 6**



**FIG. 7**





**FIG. 8**