



US00D956183S

(12) **United States Design Patent**
Yan

(10) **Patent No.:** **US D956,183 S**

(45) **Date of Patent:** **** Jun. 28, 2022**

(54) **BATHROOM FAUCET**

(71) Applicant: **Ruokai Yan**, Yueyang (CN)

(72) Inventor: **Ruokai Yan**, Yueyang (CN)

(**) Term: **15 Years**

(21) Appl. No.: **29/783,264**

(22) Filed: **May 12, 2021**

(51) **LOC (13) Cl.** **23-01**

(52) **U.S. Cl.**

USPC **D23/238**

(58) **Field of Classification Search**

USPC D23/257, 249, 233, 238, 239, 240, 241,
D23/242, 243, 250, 251, 252, 253, 254,
D23/255, 259

CPC E03C 1/01; E03C 1/0409; E03C 1/025;
E03C 1/0408; E03C 1/04; E03C 1/0401;
E03C 1/0402; E03C 1/0405; E03C
1/0412; Y10T 137/5339; Y10T 137/6014;
Y10T 137/6021

See application file for complete search history.

(56) **References Cited**

U.S. PATENT DOCUMENTS

D610,236 S *	2/2010	Schoenherr	D23/238
D636,853 S *	4/2011	Yu	D23/238
D640,350 S *	6/2011	Schoenherr	D23/252
D643,909 S *	8/2011	Flowers	D23/238
D646,356 S *	10/2011	Flowers	D23/238
D680,622 S *	4/2013	Berger	D23/238
D684,667 S *	6/2013	Yu	D23/238
D693,904 S *	11/2013	Hahn	D23/238
D799,642 S *	10/2017	Sieger	D23/238
D803,356 S *	11/2017	Lucchese	D23/238
D828,509 S *	9/2018	Seum	D23/238
D828,512 S *	9/2018	Liu	D23/238
D834,684 S *	11/2018	Gessi	D23/238
D839,395 S *	1/2019	Schaubach	D23/255
D842,434 S *	3/2019	Jiang	D23/238

D842,435 S *	3/2019	Jiang	D23/238
D860,409 S	9/2019	Chen		
D861,137 S *	9/2019	Chen	D23/255
D861,138 S *	9/2019	Chen	D23/255

(Continued)

FOREIGN PATENT DOCUMENTS

CN	201330170174	*	5/2013
CN	201830237684	*	5/2018
CN	202030568266.2	*	9/2020

OTHER PUBLICATIONS

Amazon, Wovier Waterfall Basin Mixer Tap, posted Jan. 3, 2017, [online], [visited Jan. 24, 2022]. Internet, <URL: <https://www.amazon.co.uk/Wovier-Chrome-Waterfall-Single-Bathroom/dp/B01MRD8UQO/ref>> (Year: 2017).*

(Continued)

Primary Examiner — Samantha Wood

(74) *Attorney, Agent, or Firm* — Rumit R. Kanakia

(57) **CLAIM**

The ornamental design for a bathroom faucet, as shown and described.

DESCRIPTION

FIG. 1 is a front elevational view of a bathroom faucet showing my new design;

FIG. 2 is a rear elevational view thereof; and

FIG. 3 is a left side view thereof;

FIG. 4 is a right side view thereof;

FIG. 5 is a top plan view thereof;

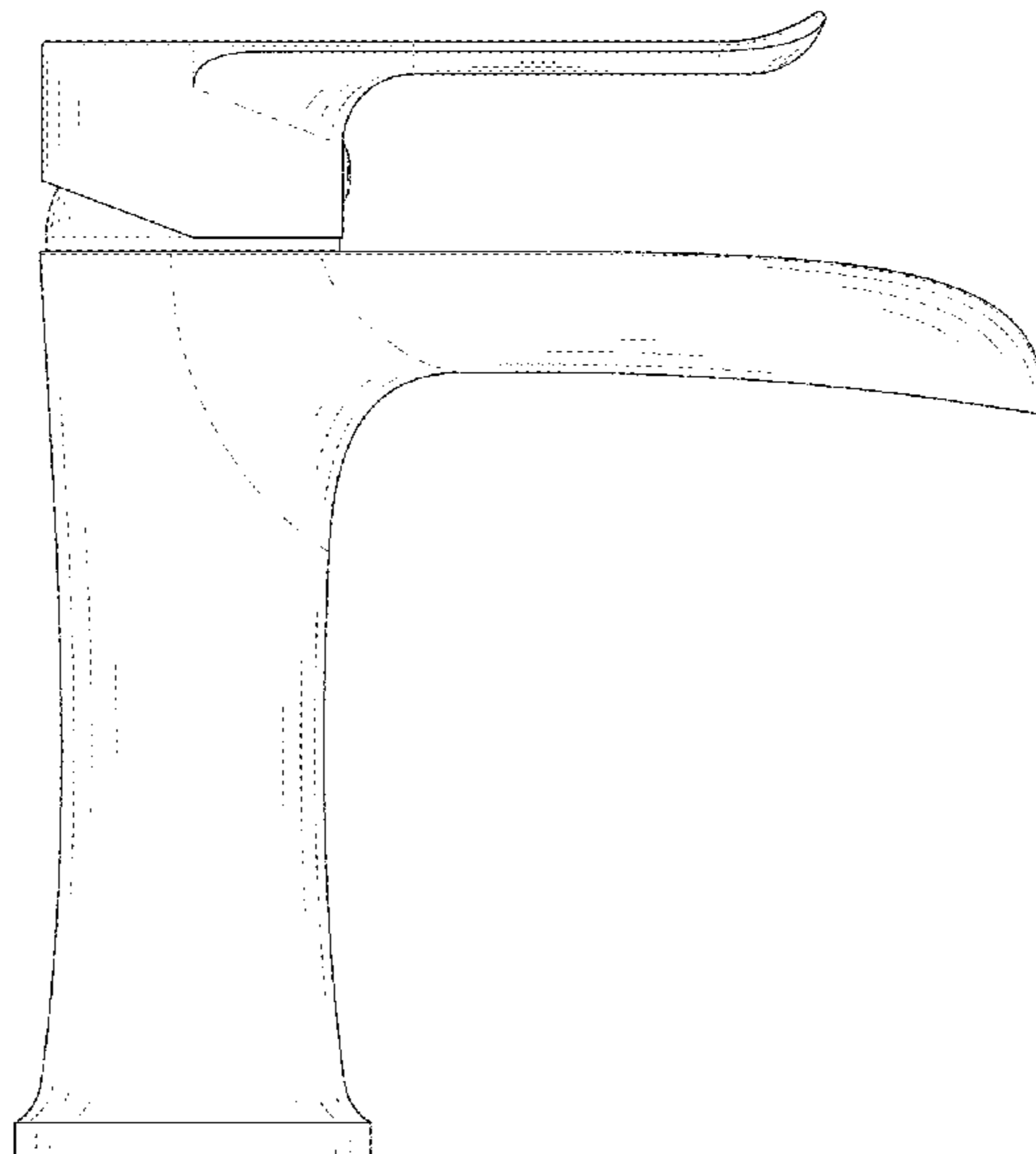
FIG. 6 is a bottom plan view thereof;

FIG. 7 is a perspective view of a bathroom faucet showing my new design; and,

FIG. 8 is another perspective view thereof.

The broken lines in the figures are for the purposes of illustrating portions of the bathroom faucet, which form no part of the claimed design.

1 Claim, 8 Drawing Sheets



(56)

References Cited

U.S. PATENT DOCUMENTS

D866,714 S	*	11/2019	Yu	D23/238
D873,962 S	*	1/2020	Fang	D23/238
D878,523 S		3/2020	Lazarini	
D895,069 S	*	9/2020	Zhang	D23/238
D903,053 S		11/2020	Eads	
D903,821 S		12/2020	Takahashi	
D911,493 S		2/2021	Eads	
D912,209 S		3/2021	Liu	
D912,213 S		3/2021	Kuang	
D913,430 S		3/2021	Seum	
D914,845 S		3/2021	Garland	
D915,555 S		4/2021	Lin	
D919,769 S	*	5/2021	Garland	D23/255
D931,415 S	*	9/2021	Stoler	D23/238
2016/0265201 A1	*	9/2016	Hoogendoorn	F16K 11/0787
2020/0072362 A1	*	3/2020	Hoogendoorn	E03C 1/04

OTHER PUBLICATIONS

Amazon, Frap Mixer Waterfall Basin Tap Single Handle, posted Jul. 4, 2019, [online], [visited Jan. 24, 2022]. Internet, <URL: <https://www.amazon.co.uk/Frap-Waterfall-Single-Bathroom-Polished/dp/B07TTR4D6Z/ref?th=1>> (Year: 2019).*

Amazon, YUNDOOM Waterfall Bathroom Faucet Black, posted Nov. 18, 2020, [online], [visited Jan. 26, 2022]. Internet, <URL: <https://www.amazon.com/YUNDOOM-Bathroom-Faucet-Waterfall-Single-Handle/dp/B09J48CSSZ?th=1>> (Year: 2020).*

<https://www.amazon.com/YUNDOOM-Bathroom-Faucet-Waterfall-Single-Handle/dp/B09J48CSSZ?th=%2B1>; Nov. 18, 2020.

* cited by examiner

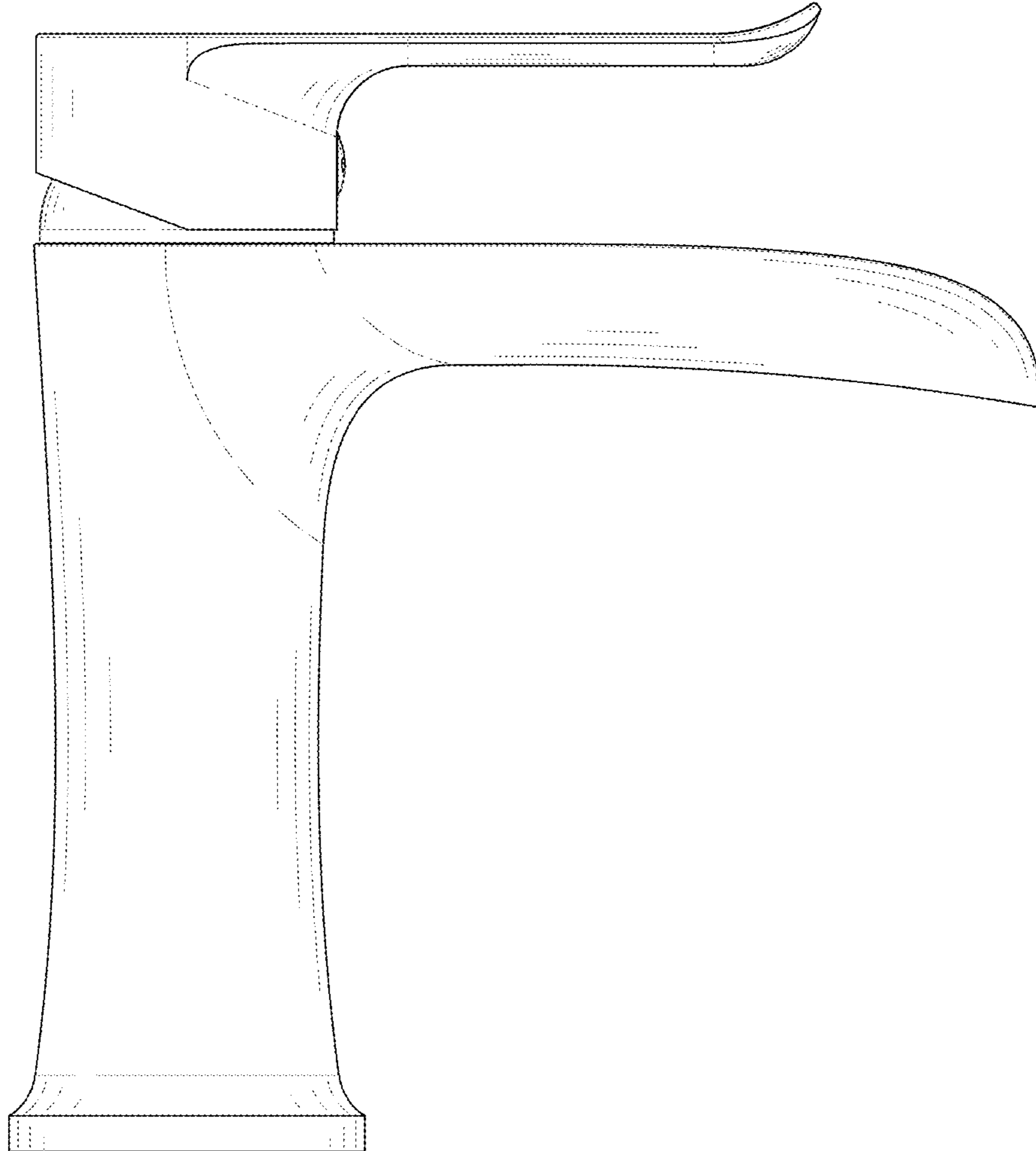


FIG. 1

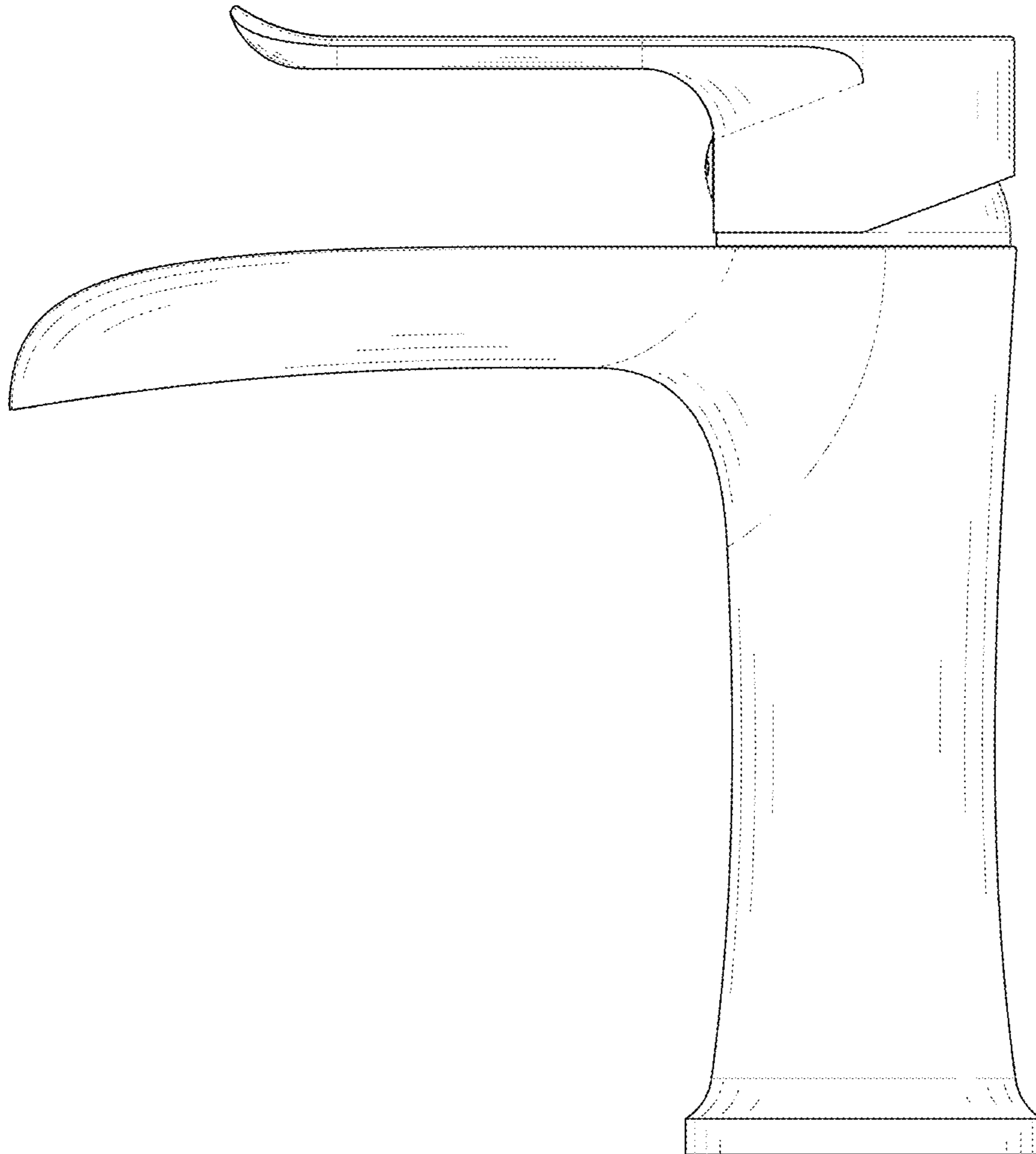


FIG. 2

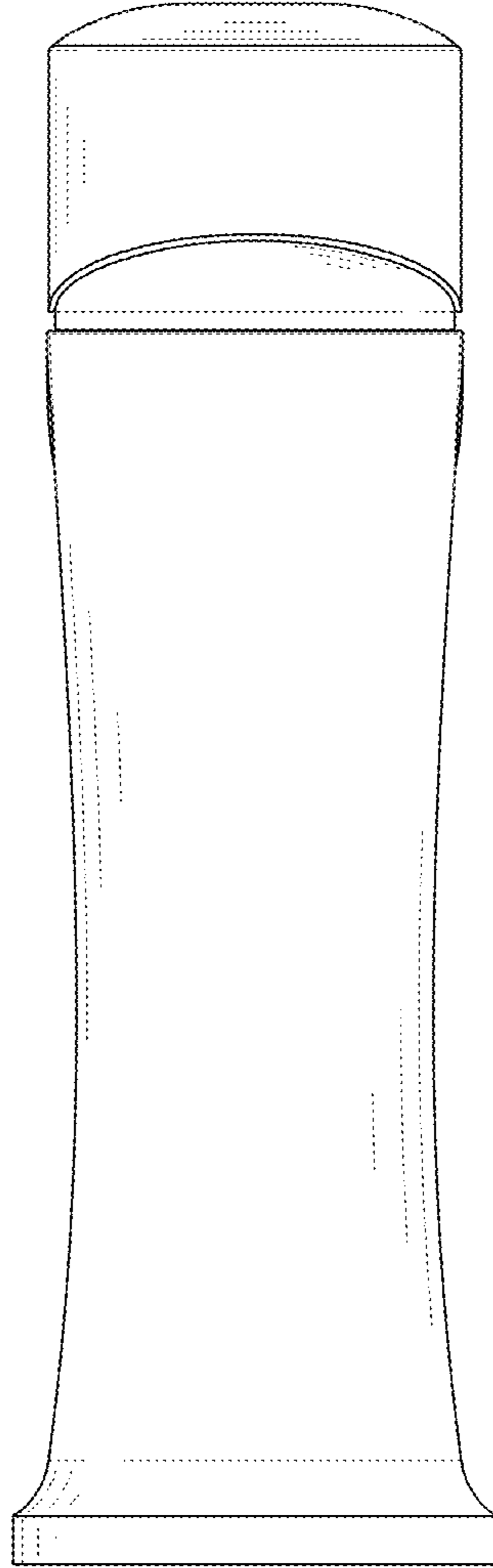


FIG. 3

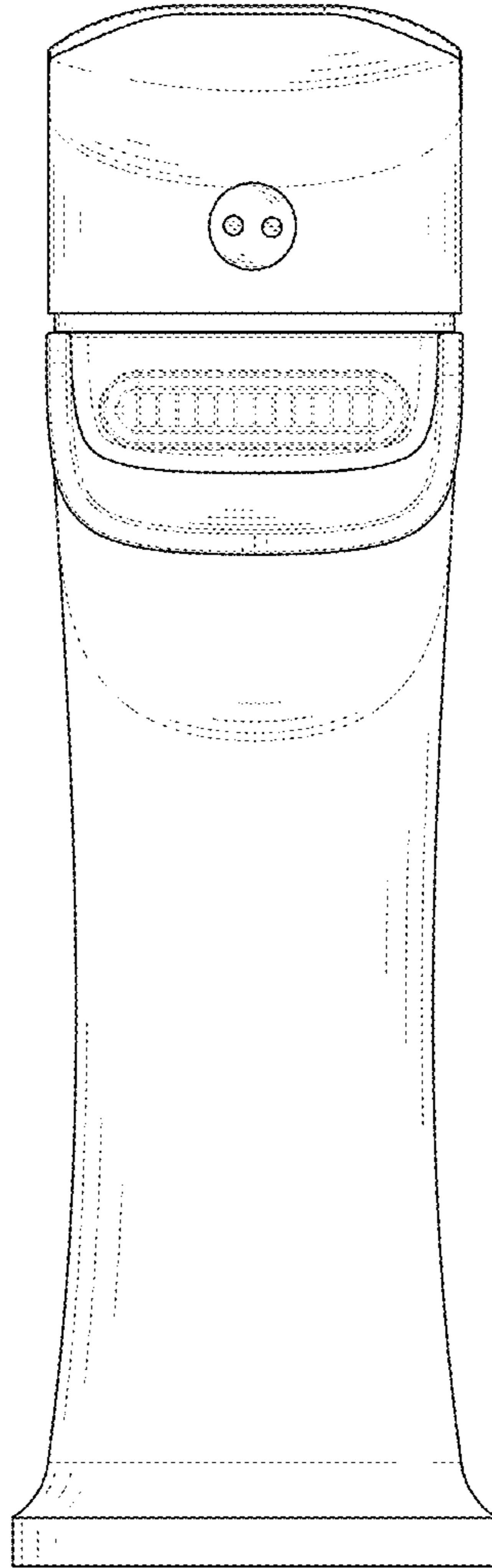


FIG. 4

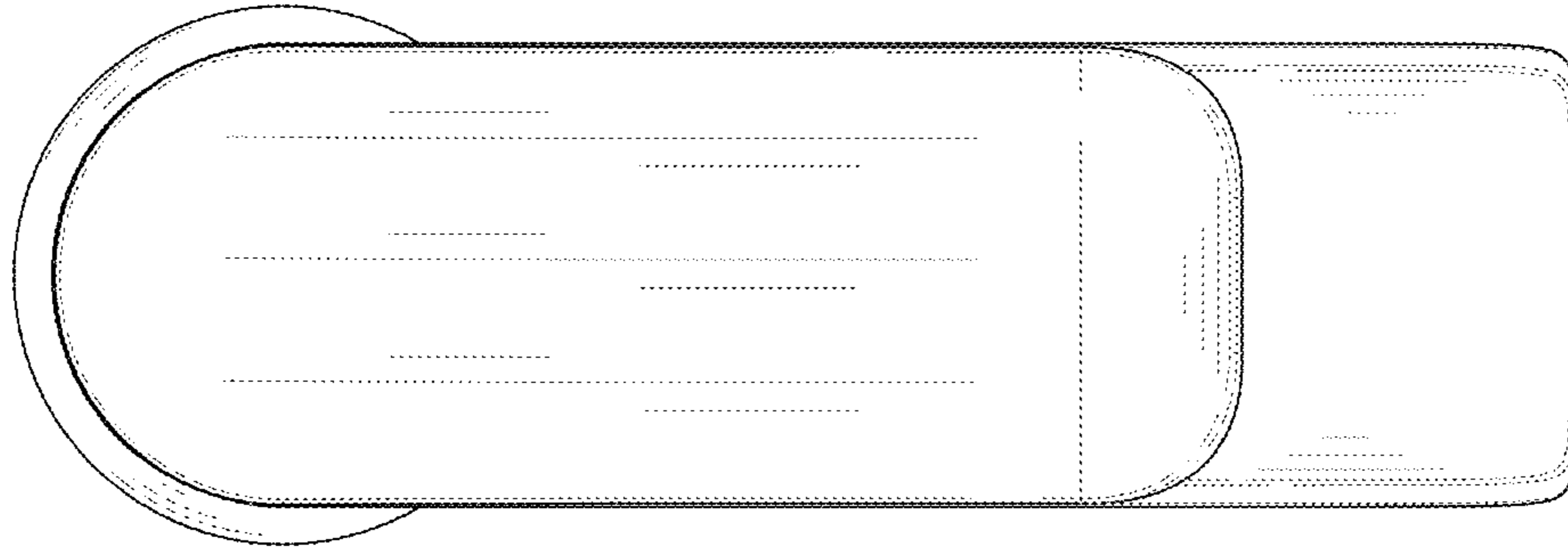


FIG. 5

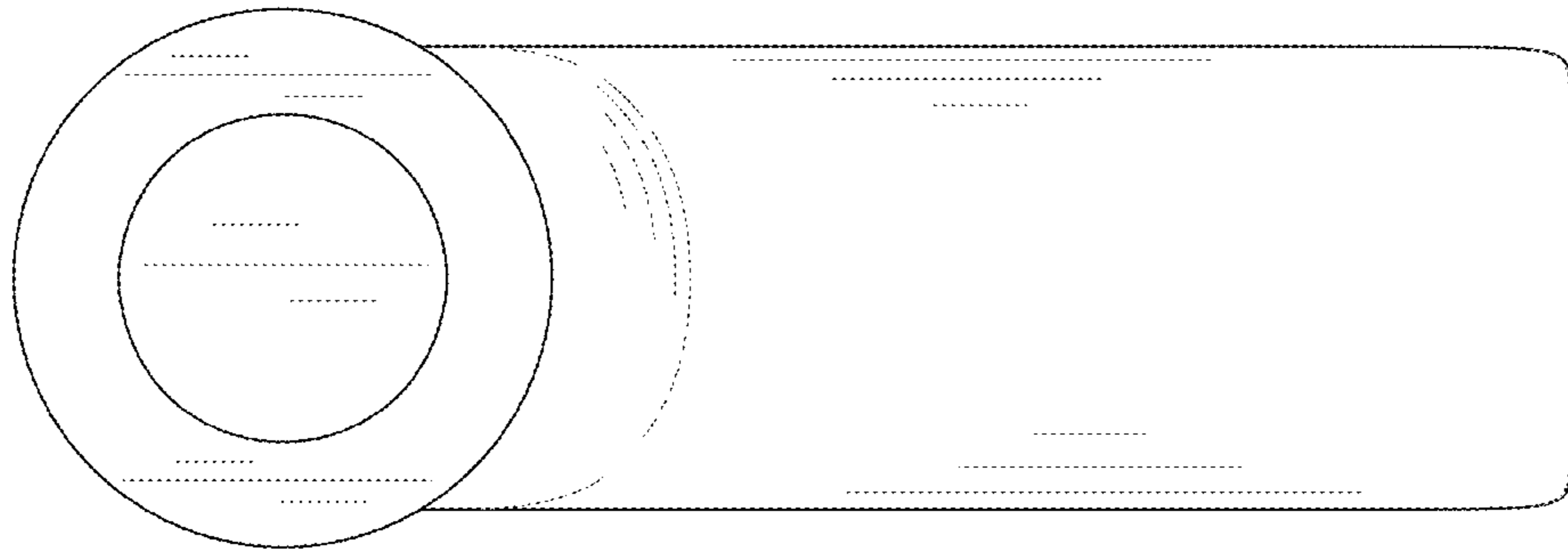


FIG. 6

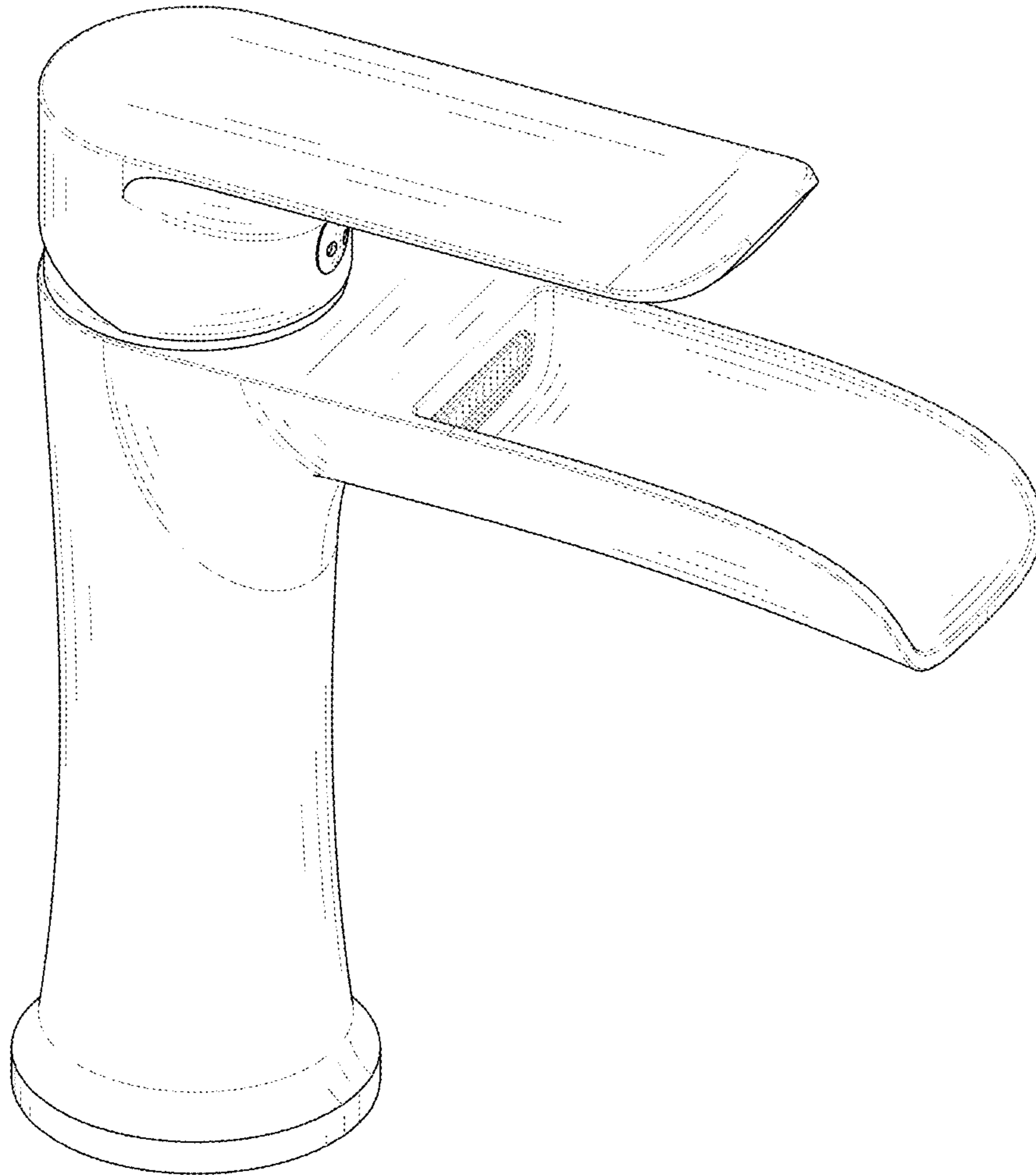


FIG. 7

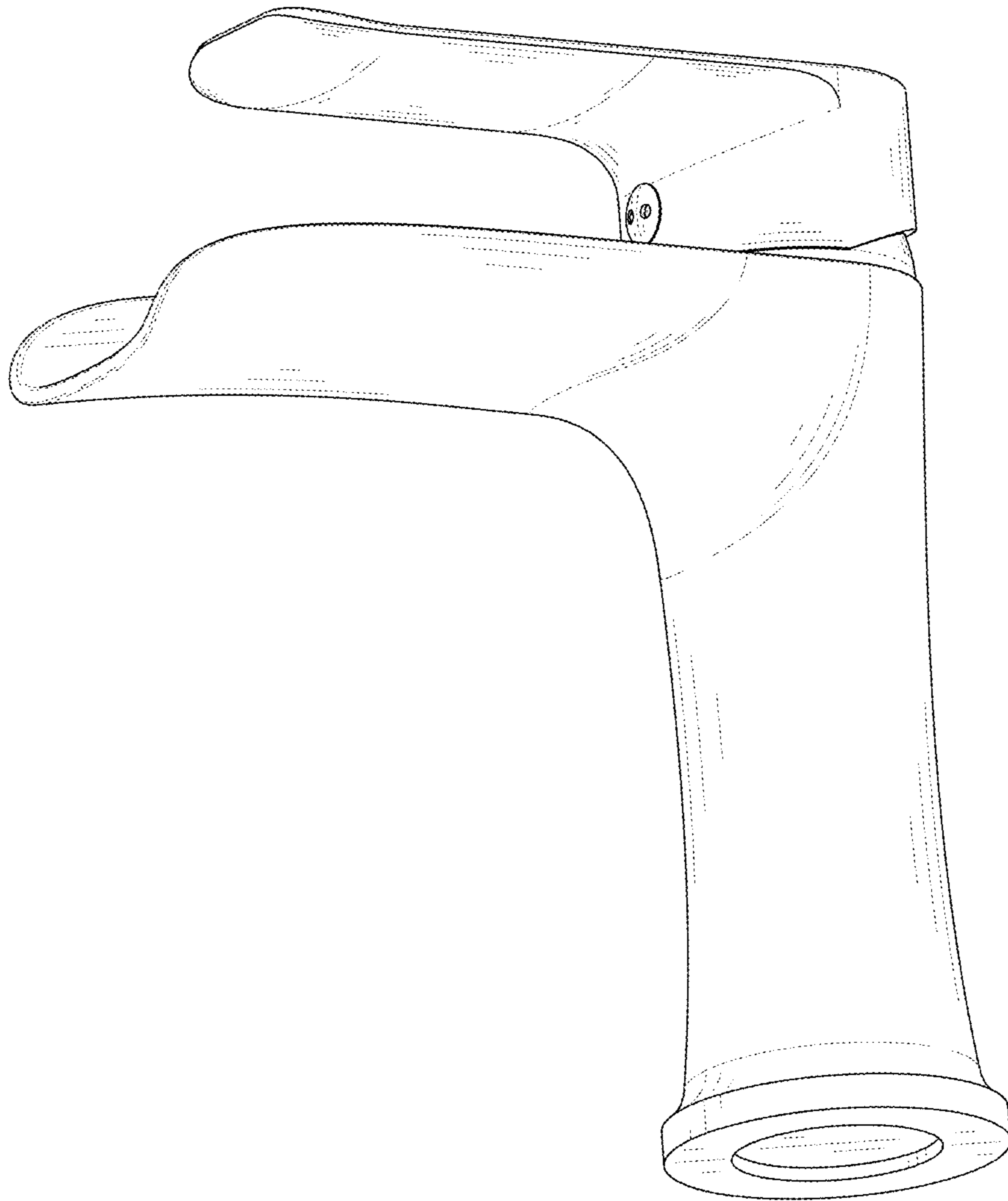


FIG. 8