



US00D956182S

(12) **United States Design Patent**  
**Abramson**

(10) **Patent No.:** **US D956,182 S**

(45) **Date of Patent:** **\*\* Jun. 28, 2022**

(54) **FAUCET**

(71) Applicant: **DELTA FAUCET COMPANY,**  
Indianapolis, IN (US)

(72) Inventor: **Mary Malyka Abramson,** Indianapolis,  
IN (US)

(73) Assignee: **DELTA FAUCET COMPANY,**  
Indianapolis, IN (US)

(\*\*) Term: **15 Years**

(21) Appl. No.: **29/760,613**

(22) Filed: **Dec. 2, 2020**

(51) **LOC (13) Cl.** ..... **23-01**

(52) **U.S. Cl.**  
USPC ..... **D23/238**

(58) **Field of Classification Search**  
USPC ..... D23/238, 239, 240, 241, 242, 243, 244,  
D23/245, 246, 247, 248, 249, 250, 251,  
D23/252, 253, 254, 255, 256, 257, 259  
CPC ..... Y10T 137/9464; E03C 1/00; E03C 1/02;  
E03C 1/04; E03C 1/042; E03C 1/044;  
E03C 1/0402; E03C 1/0403; E03C  
1/0405; E03C 1/0412

See application file for complete search history.

(56) **References Cited**

**U.S. PATENT DOCUMENTS**

D491,636 S \* 6/2004 Shieh ..... D23/248  
D523,527 S \* 6/2006 Nadler ..... D23/252  
D535,357 S \* 1/2007 Zhou ..... D23/238  
D645,937 S \* 9/2011 Sedwick ..... D23/238  
D667,933 S \* 9/2012 Kwok ..... D23/238  
D670,361 S \* 11/2012 Georgeson ..... D23/255  
D691,708 S \* 10/2013 Georgeson ..... D23/255  
D709,167 S \* 7/2014 Flowers ..... D23/238  
9,057,184 B2 \* 6/2015 Meehan ..... F21V 33/004

D767,726 S \* 9/2016 Mazz ..... D23/238  
D810,882 S \* 2/2018 Bahler ..... D23/249  
D820,402 S \* 6/2018 Zeng ..... D23/238  
D847,304 S \* 4/2019 Wu ..... D23/238  
D849,201 S \* 5/2019 Zhang ..... D23/238  
D852,329 S \* 6/2019 Eads ..... D23/249  
2019/0085538 A1 \* 3/2019 Chang ..... F16K 5/08

**FOREIGN PATENT DOCUMENTS**

CN 201730389182 \* 8/2017  
CN 201930532224.0 \* 9/2019

**OTHER PUBLICATIONS**

Amazon, GLANZHAUS Modern Brushed Nickel Single Handle Kitchen Taps, posted Apr. 10, 2019, [online], [visited Nov. 4, 2021]. Internet, <URL: <https://www.amazon.co.uk/GLANZHAUS-Modern-Brushed-Kitchen-Monobloc/dp/B07QLRNG6R/ref>> (Year: 2019).\*

\* cited by examiner

*Primary Examiner* — Samantha Wood

(74) *Attorney, Agent, or Firm* — Nirav D. Parikh; Edgar A. Zarins

(57) **CLAIM**

The ornamental design for a faucet, as shown and described.

**DESCRIPTION**

FIG. 1 is a front perspective view of a faucet showing my new design;

FIG. 2 is a rear perspective view thereof;

FIG. 3 is a front elevational view thereof;

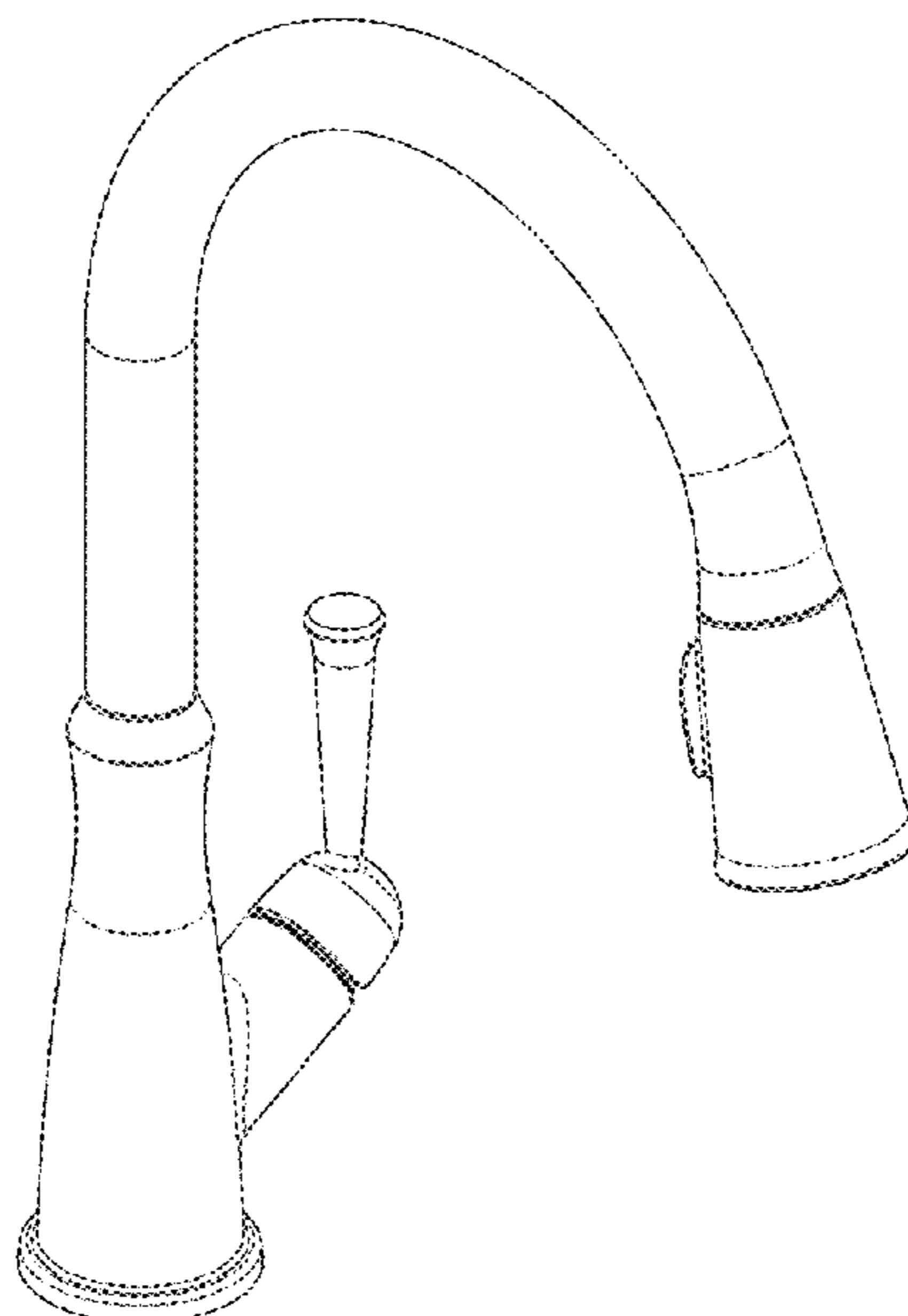
FIG. 4 is a left side view thereof;

FIG. 5 is a rear view thereof;

FIG. 6 is a right side view thereof; and,

FIG. 7 is a top plan view thereof.

**1 Claim, 4 Drawing Sheets**



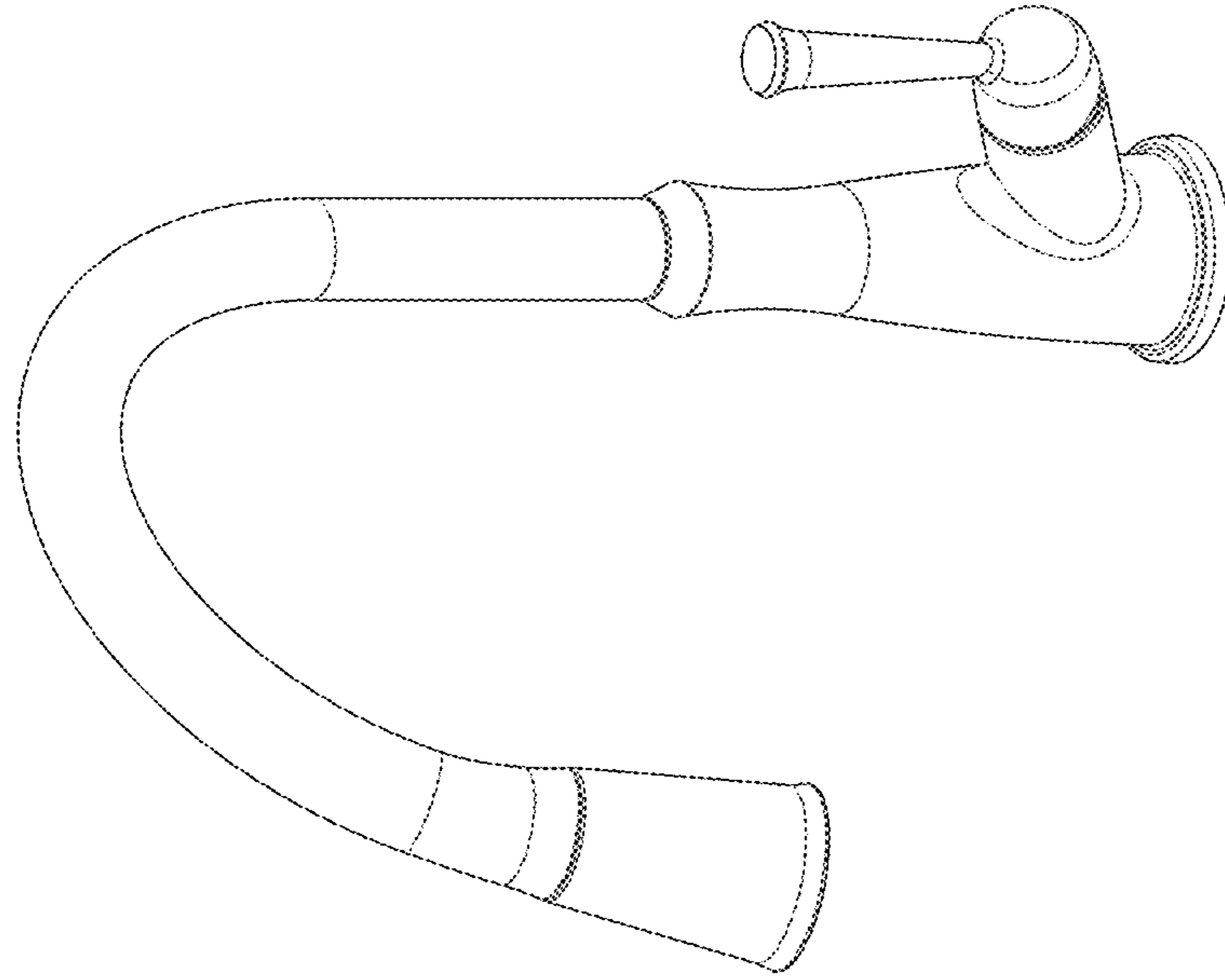


Fig. 2

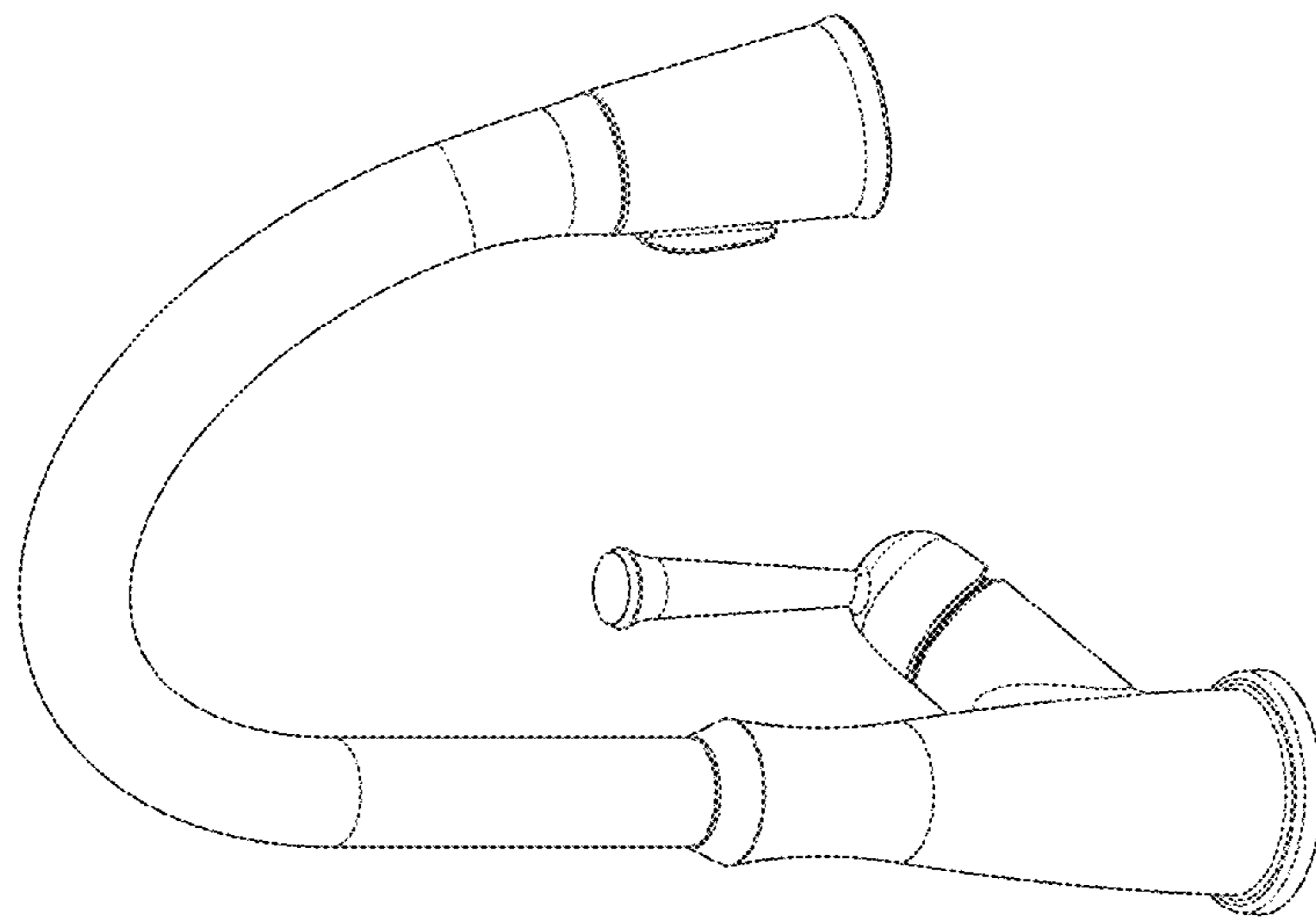


Fig. 1

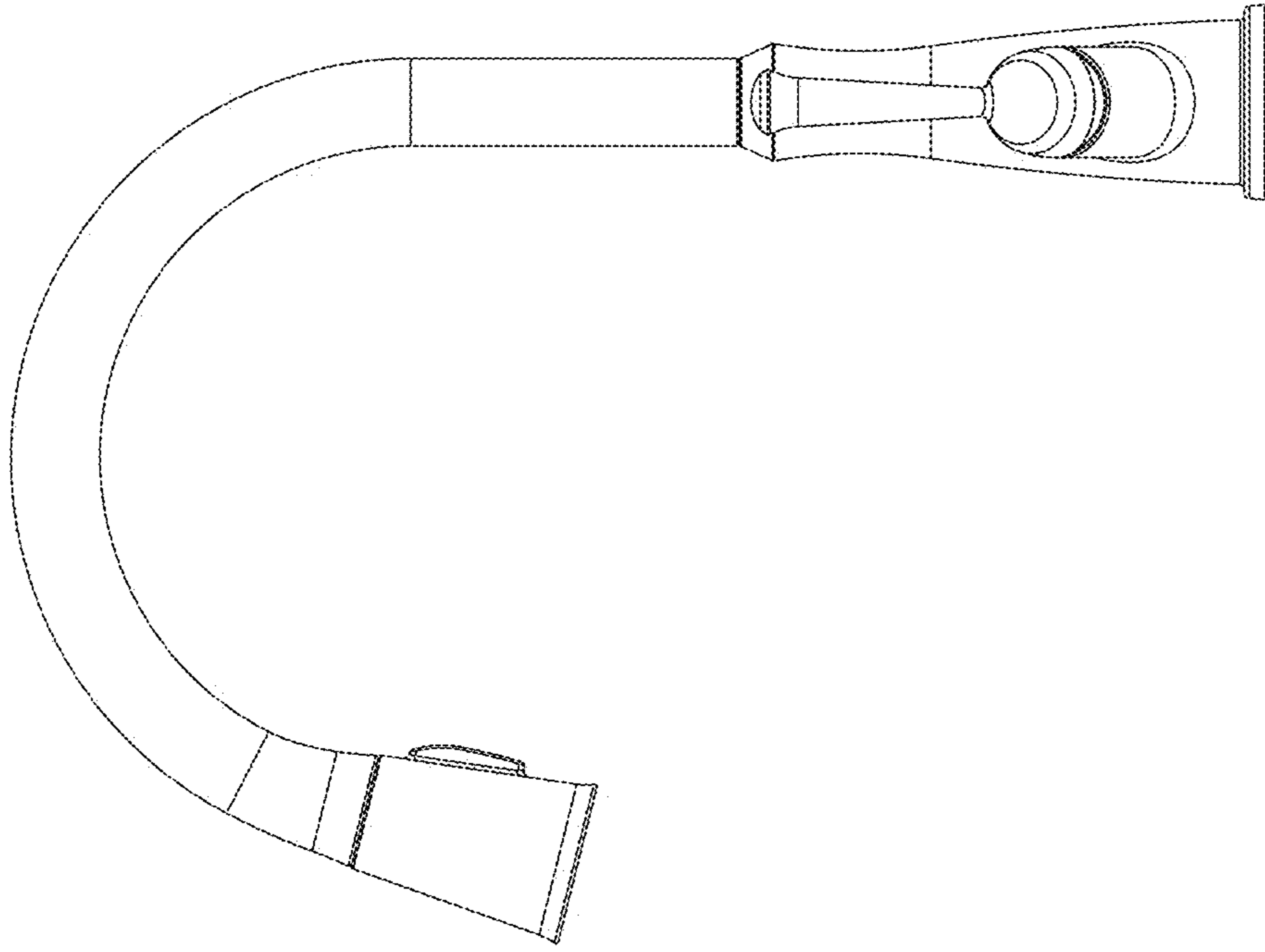


Fig. 4

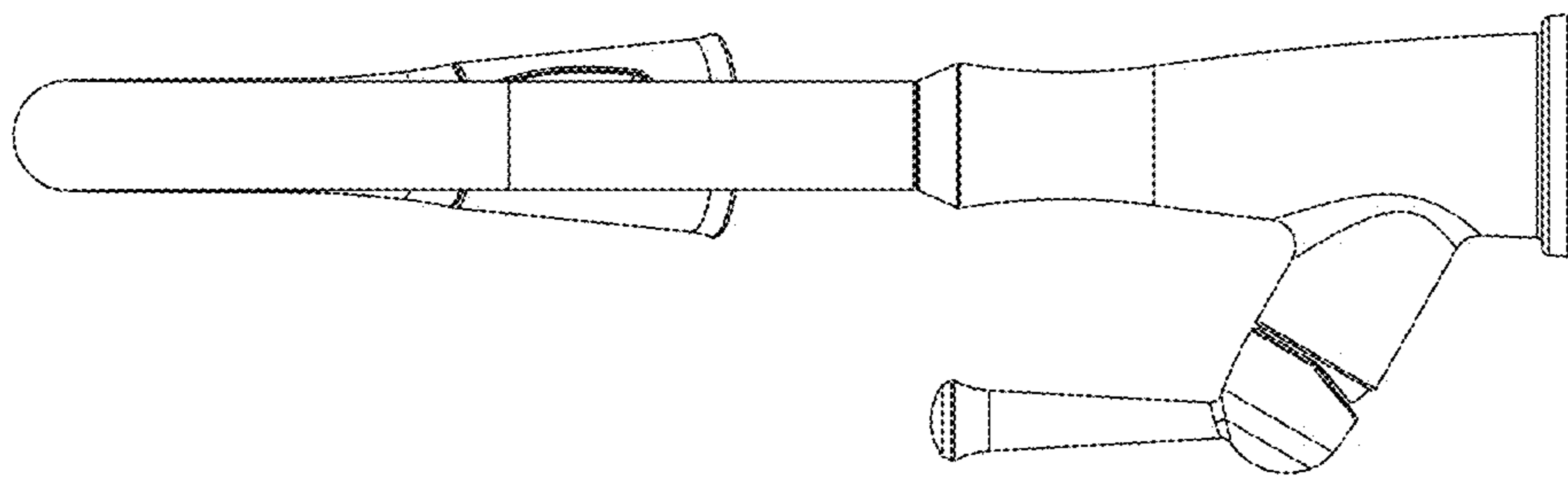


Fig. 3

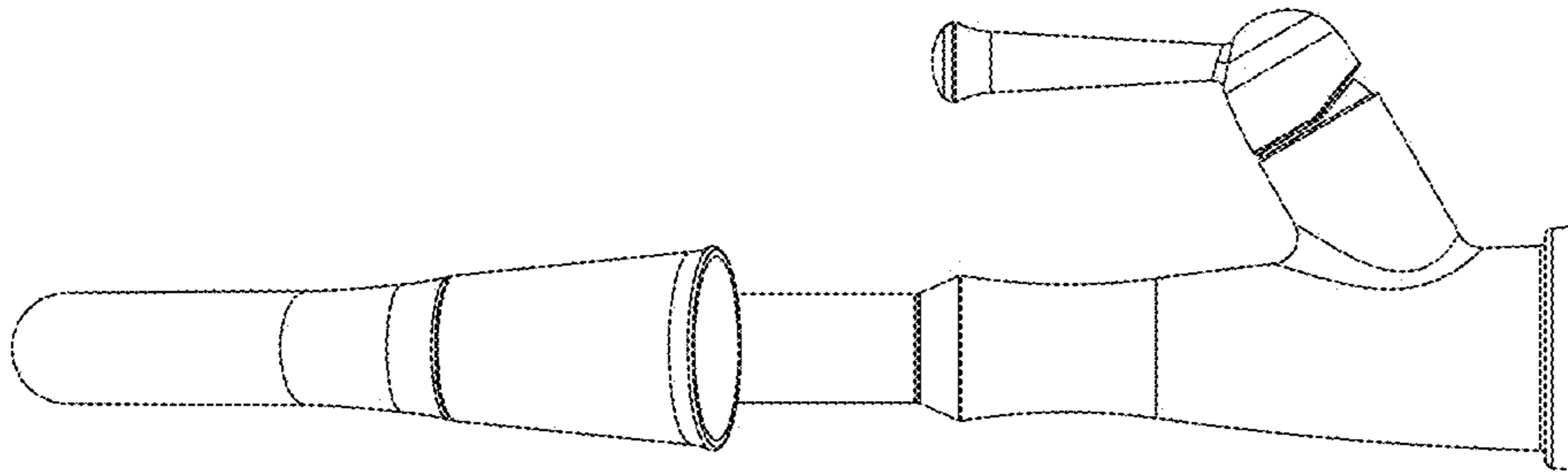


Fig. 6

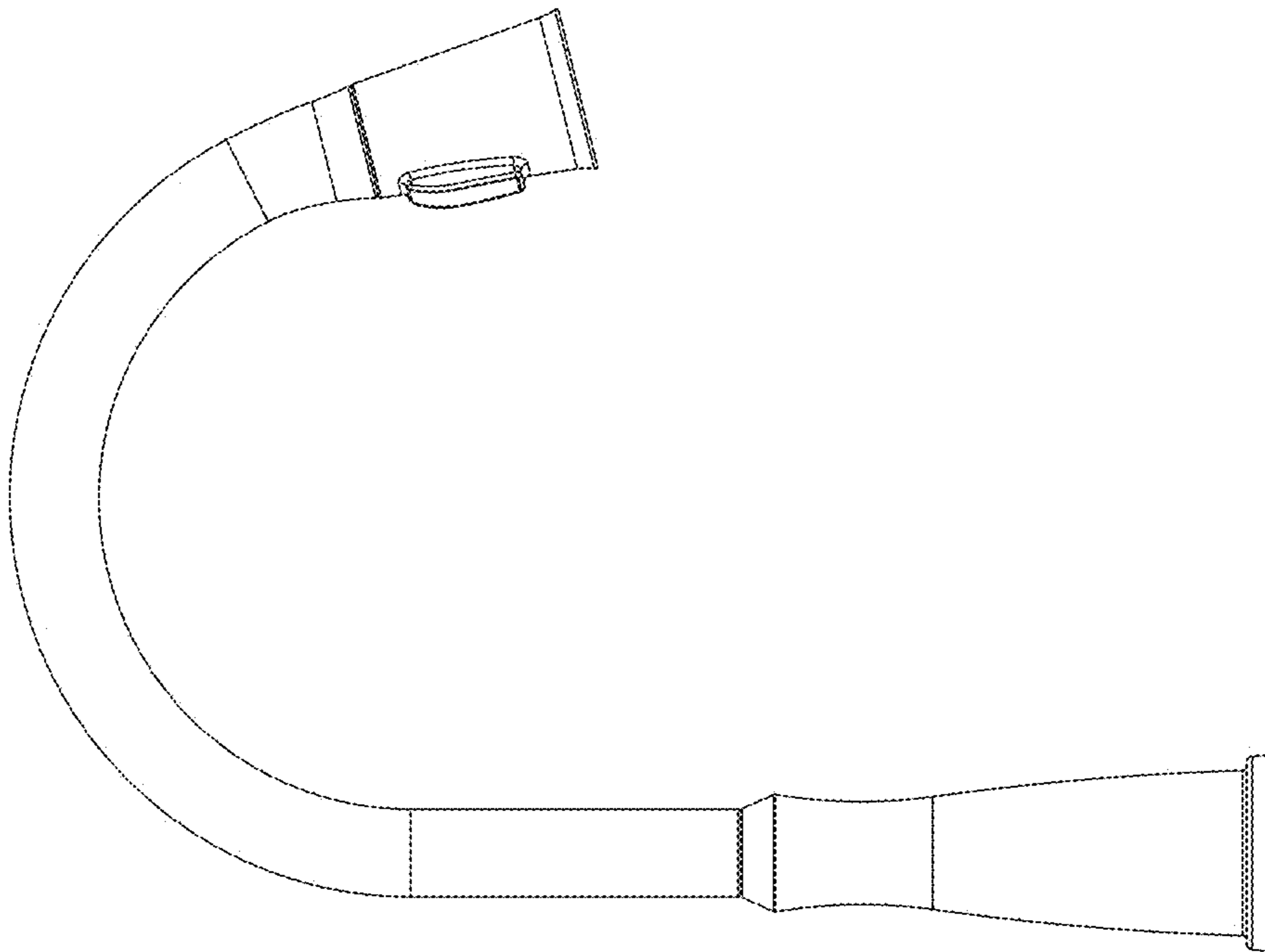


Fig. 5

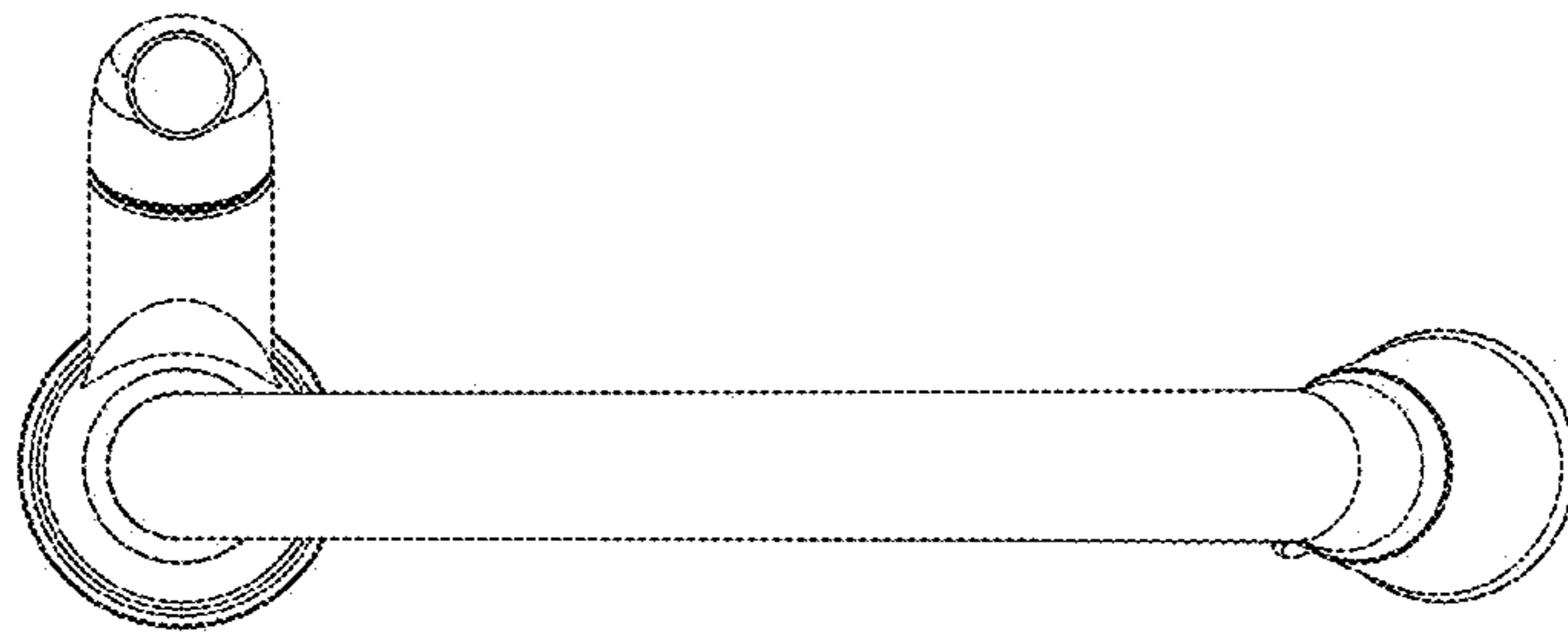


Fig. 7