



US00D956180S

(12) **United States Design Patent**
Chiang

(10) **Patent No.:** **US D956,180 S**

(45) **Date of Patent:** **** Jun. 28, 2022**

(54) **FAUCET**

(71) Applicant: **Globe Union Industrial Corp.,**
Taichung (TW)

(72) Inventor: **Yi-Shan Chiang,** Taichung (TW)

(73) Assignee: **GLOBE UNION INDUSTRIAL**
CORP., Taichung (TW)

(**) Term: **15 Years**

(21) Appl. No.: **29/738,234**

(22) Filed: **Jun. 16, 2020**

(51) **LOC (13) Cl.** **23-01**

(52) **U.S. Cl.**

USPC **D23/238**

(58) **Field of Classification Search**

USPC D23/238, 239, 240, 241, 242, 243, 244,
D23/245, 246, 247, 248, 249, 250, 251,
D23/252, 253, 254, 255, 256, 257, 259

CPC Y10T 137/9464; E03C 1/00; E03C 1/02;
E03C 1/04; E03C 1/042; E03C 1/044;
E03C 1/0402; E03C 1/0403; E03C
1/0405; E03C 1/0412

See application file for complete search history.

(56) **References Cited**

U.S. PATENT DOCUMENTS

D355,706 S *	2/1995	Chretien	D23/238
D428,472 S *	7/2000	Fleischmann	D23/238
D441,429 S *	5/2001	Mullenmeister	D23/238
D602,121 S *	10/2009	Yabe	D23/238
D631,138 S *	1/2011	Yokoyama	D23/255
D635,650 S *	4/2011	Schoenherr	D23/255
D643,909 S *	8/2011	Flowers	D23/238
D757,223 S *	5/2016	Schoenherr	D23/238
D773,612 S *	12/2016	Flowers	D23/238
D799,642 S *	10/2017	Sieger	D23/238

D825,032 S *	8/2018	He	D23/238
D837,946 S *	1/2019	Schoenherr	D23/255
D846,081 S *	4/2019	Schoenherr	D23/255
D857,168 S *	8/2019	Soulier	D23/238
D859,585 S *	9/2019	Seum	D23/238
D878,524 S *	3/2020	Gessi	D23/255
D903,823 S *	12/2020	Potter	D23/238

FOREIGN PATENT DOCUMENTS

CN	201230031732	*	2/2012
CN	201330224086	*	6/2013

OTHER PUBLICATIONS

Amazon, Kelelife Bathroom Counter Sink Tap Basin, posted May 19, 2019, [online], [visited Nov. 15, 2021]. Internet, <URL: https://www.amazon.co.uk/dp/B07S2QS2TP/ref> (Year: 2019).*

* cited by examiner

Primary Examiner — Samantha Wood

(74) *Attorney, Agent, or Firm* — Tracy M. Heims; Apex Juris, Pllc.

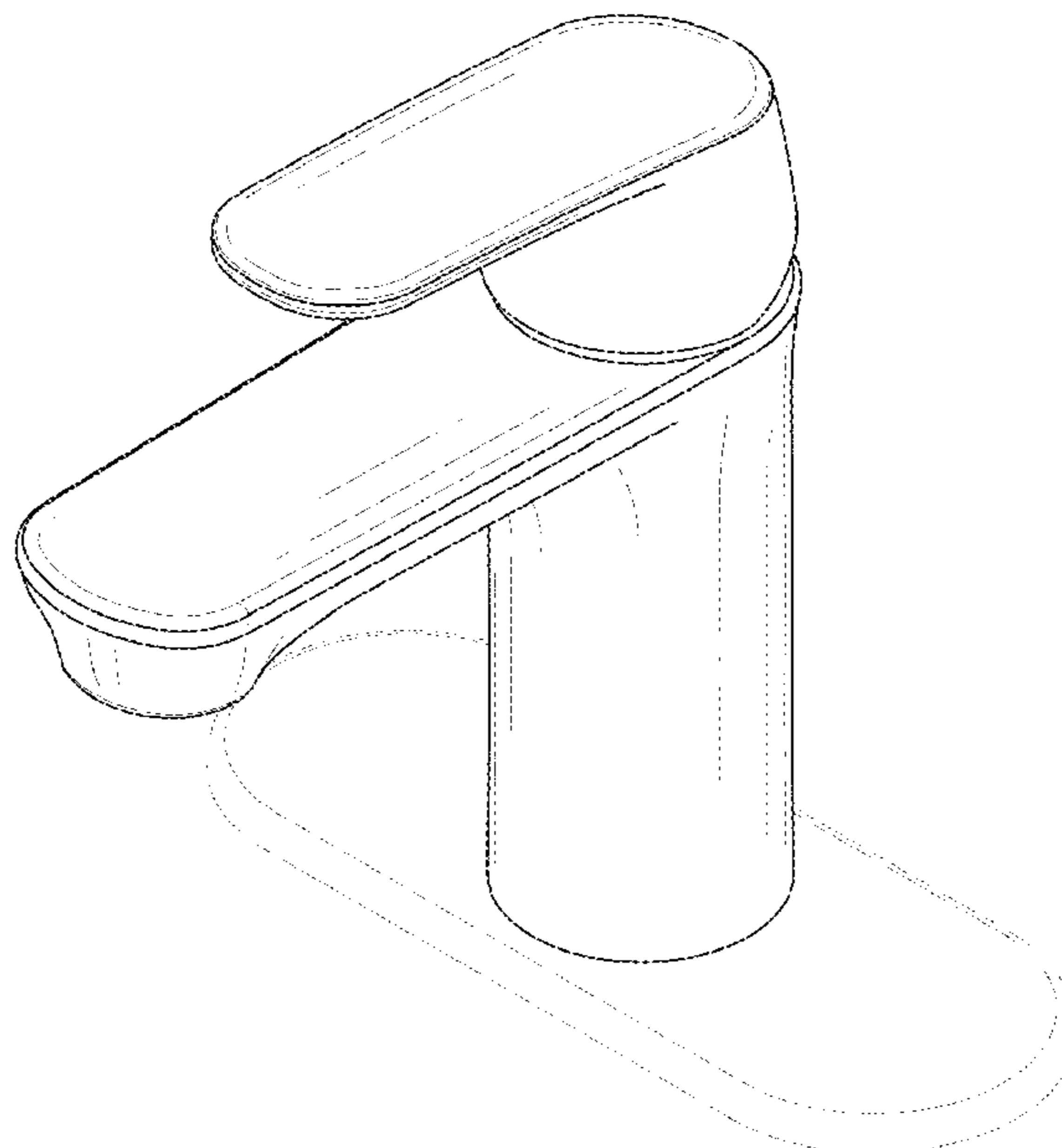
(57) **CLAIM**

The ornamental design for a faucet, as shown and described.

DESCRIPTION

FIG. 1 is a perspective view of the faucet;
FIG. 2 is a front view of the faucet;
FIG. 3 is a rear view of the faucet;
FIG. 4 is a left side view of the faucet; the right side view is a mirror image;
FIG. 5 is a top view of the faucet; and,
FIG. 6 is a bottom view of the faucet.
The broken lines are included for the purpose of illustrating the environmental structure and form no part of the claimed design.

1 Claim, 6 Drawing Sheets



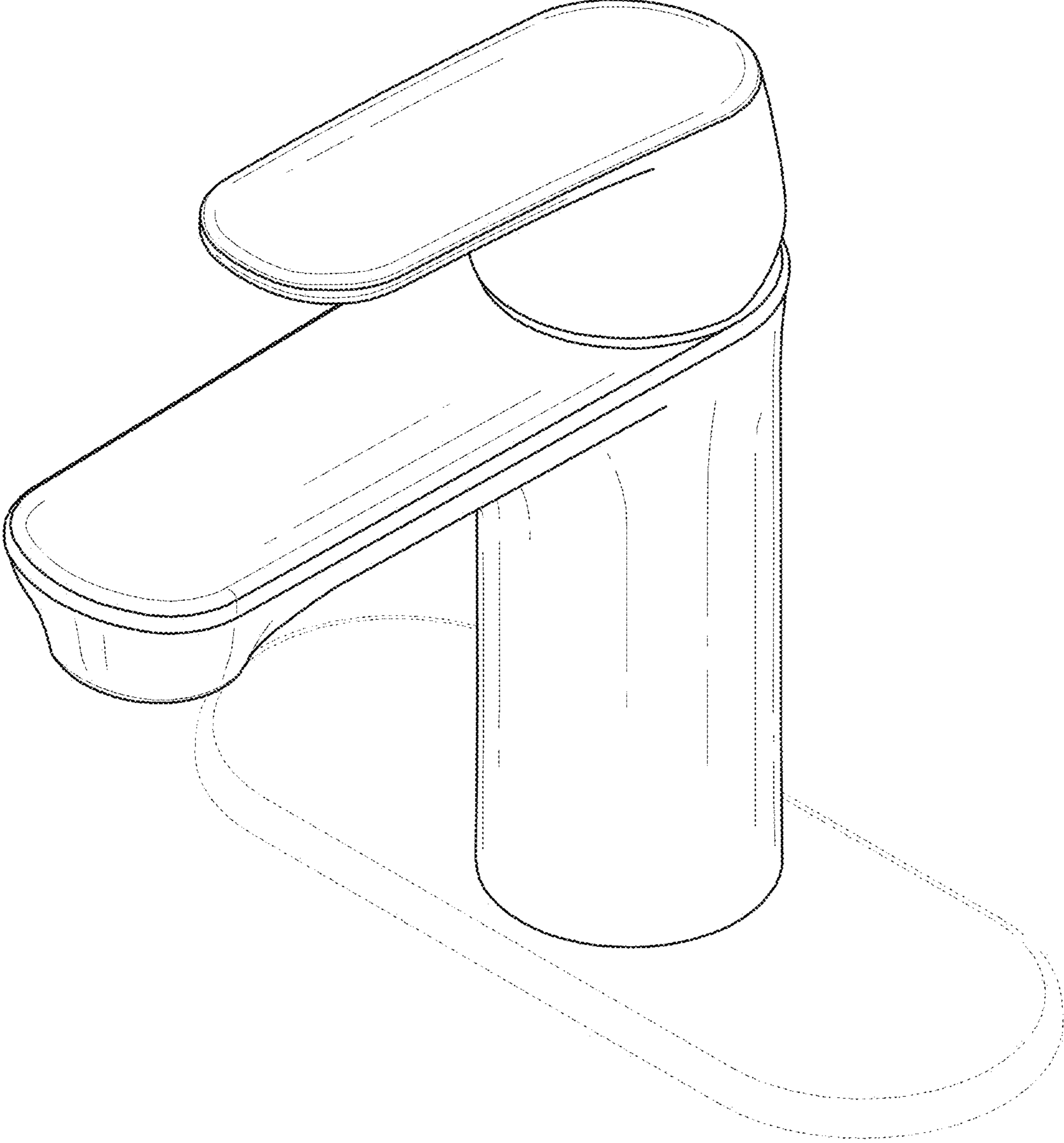


FIG.1

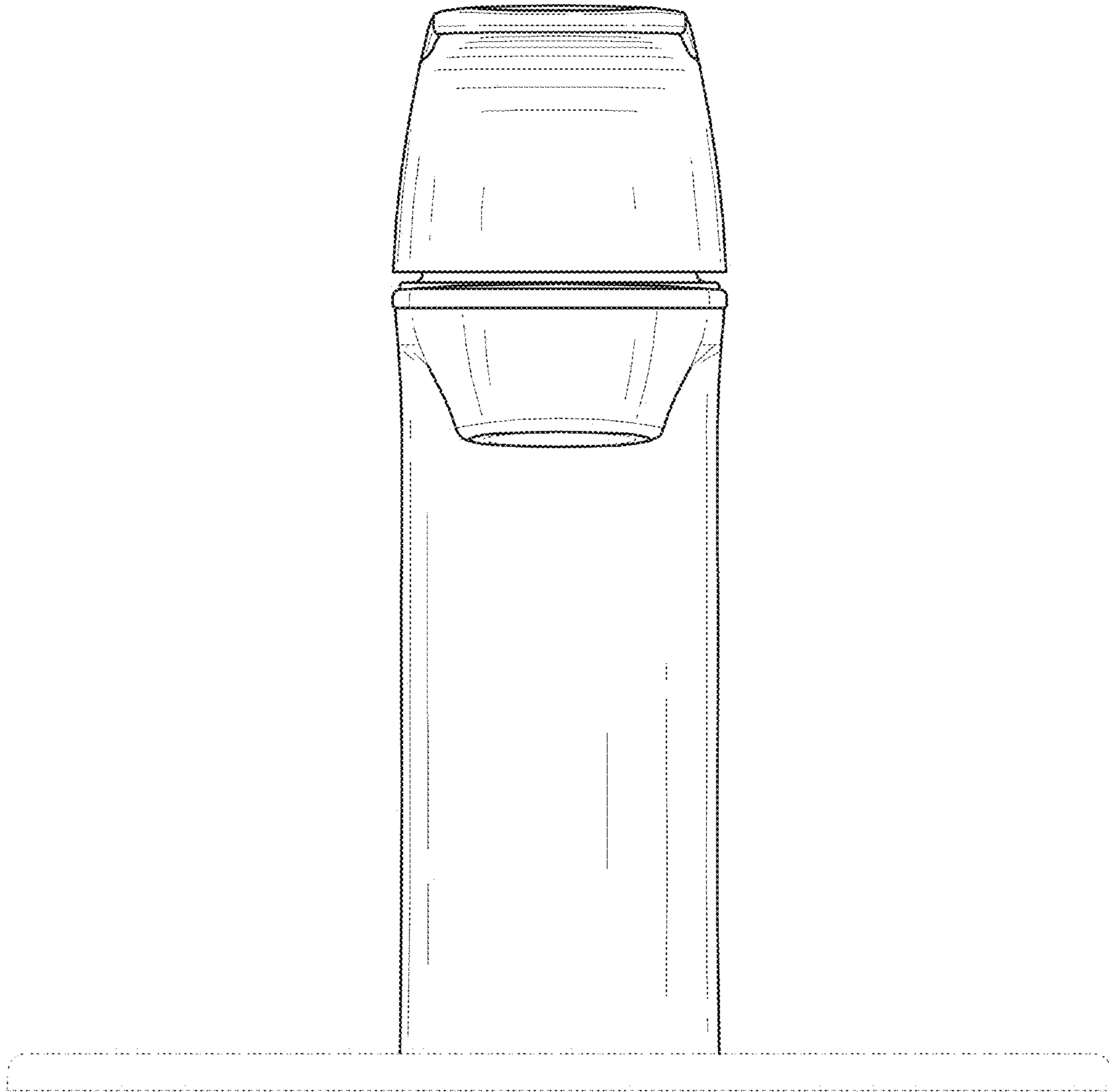


FIG.2

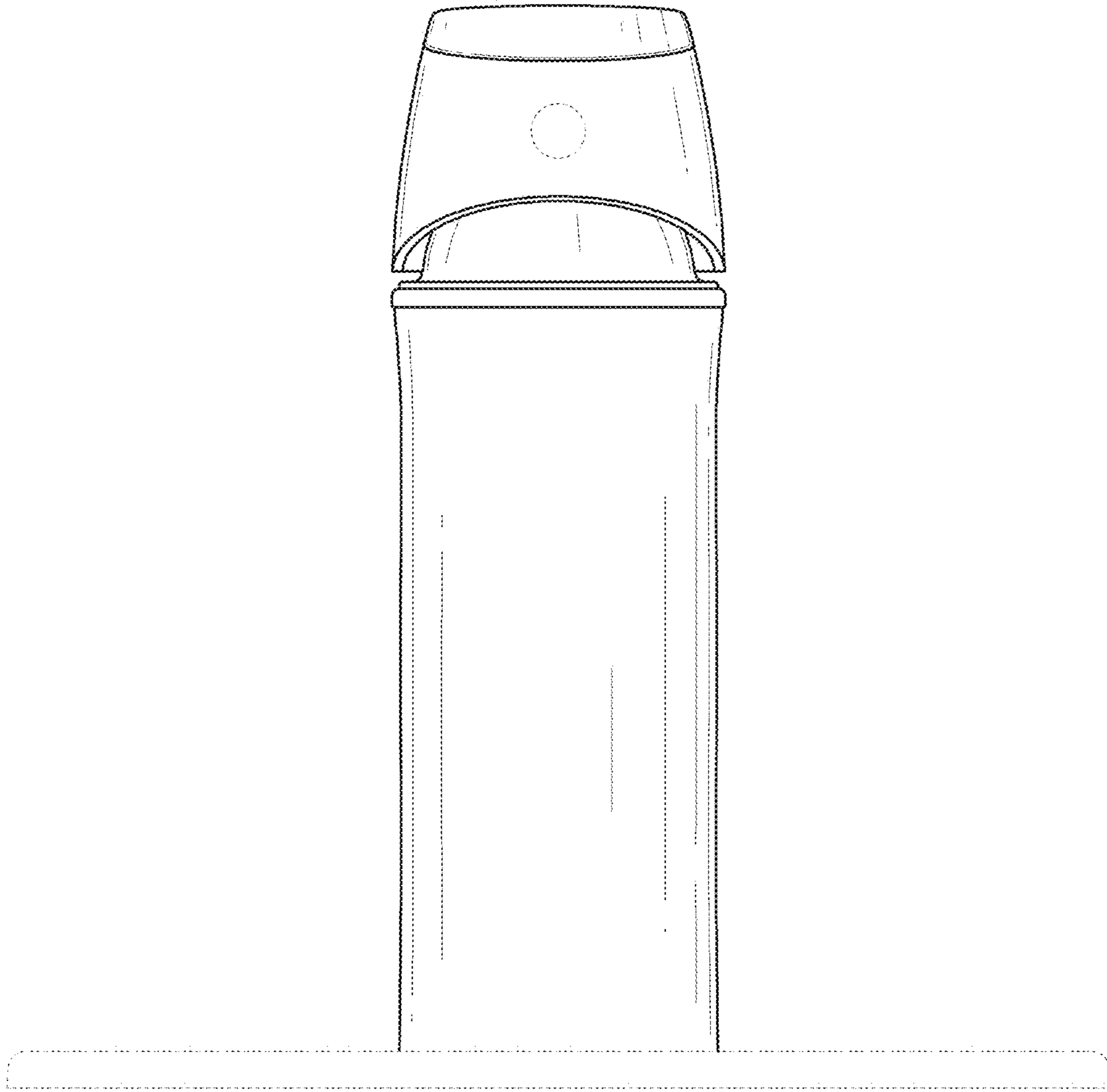


FIG.3

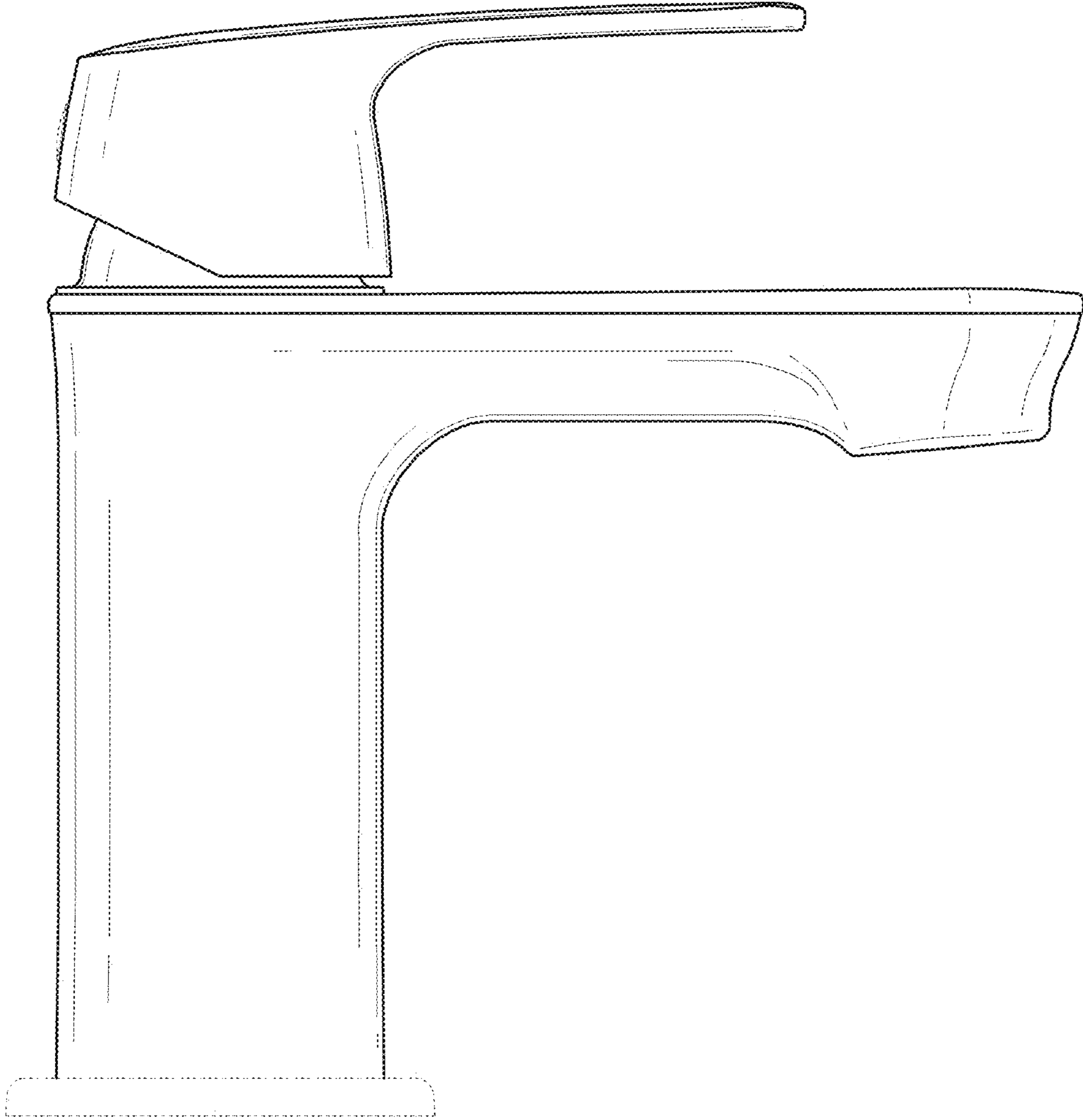


FIG.4

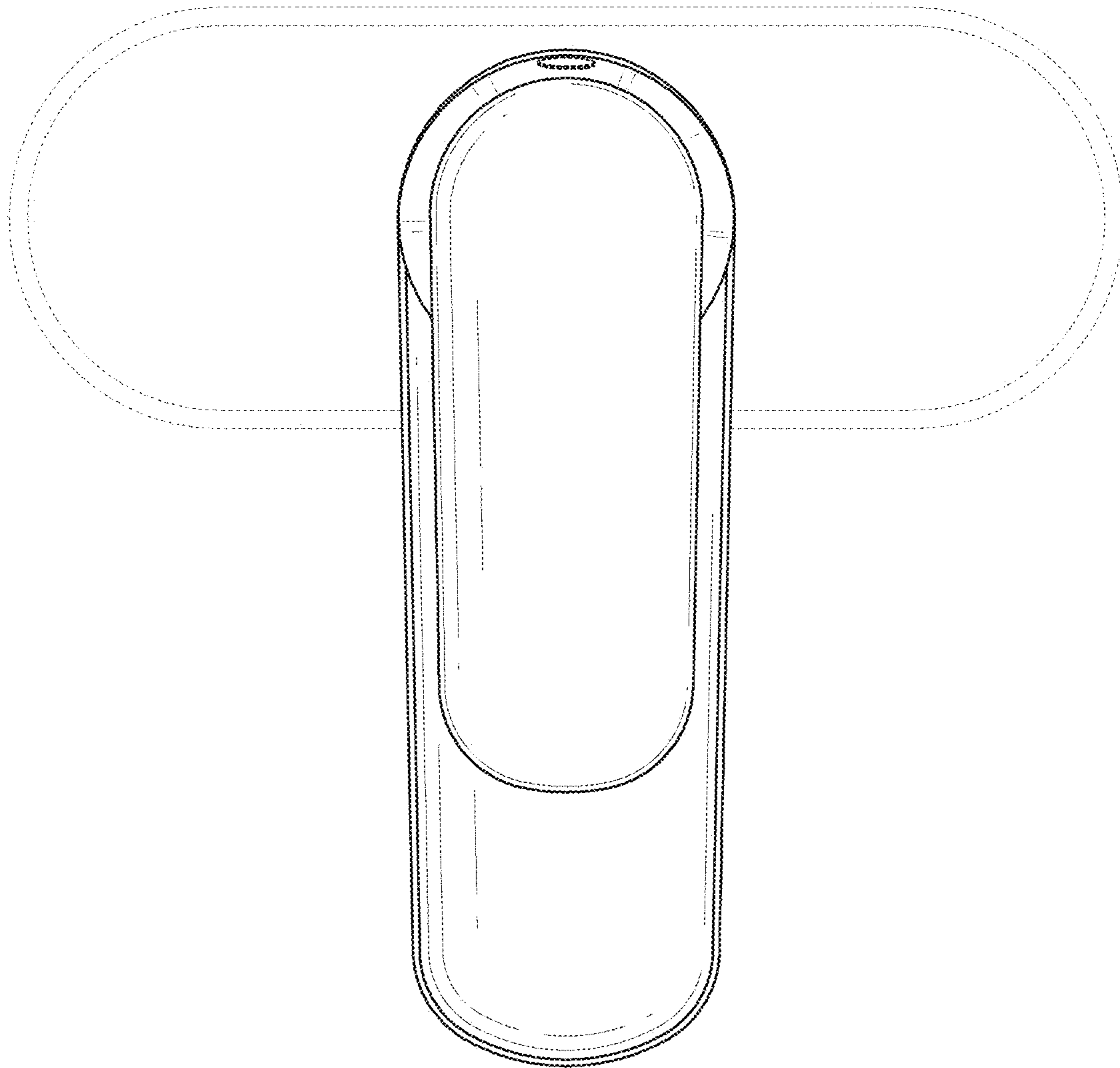


FIG.5

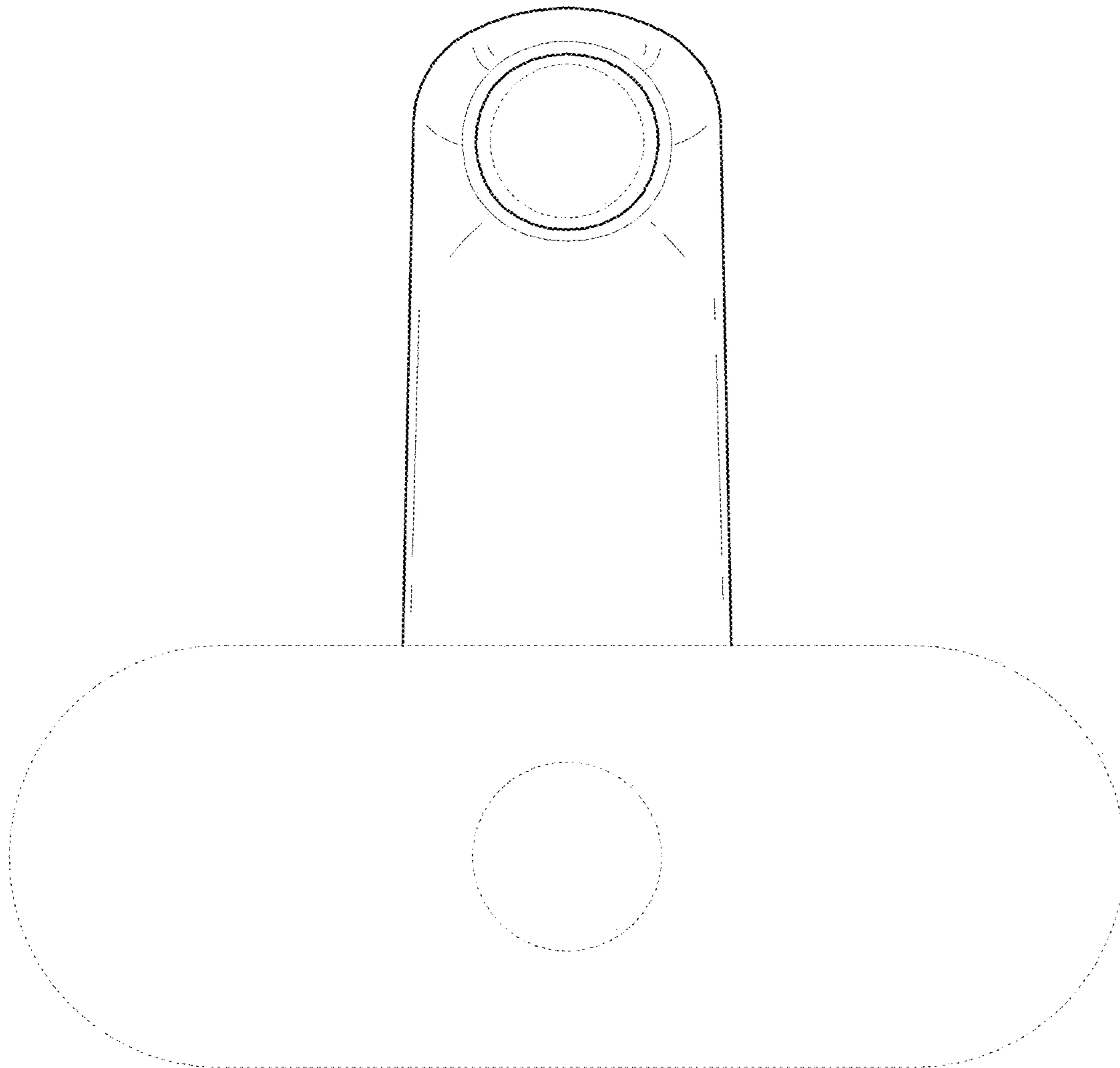


FIG.6