



US00D956179S

(12) **United States Design Patent**  
**Anastassiades**

(10) **Patent No.:** **US D956,179 S**  
(45) **Date of Patent:** **\*\* Jun. 28, 2022**

(54) **FAUCET**  
(71) Applicants: **Boffi S.p.A.**, Lentate sul Seveso (IT);  
**Fratelli Fantini S.p.A.**, Pella (IT)  
(72) Inventor: **Michael Anastassiades**, Pella (IT)  
(73) Assignees: **BOFFI S.p.A.**, Lentate sul Seveso (IT);  
**FRATELLI FANTINI S.p.A.**, Pella (IT)

D865,123 S \* 10/2019 Rockwell ..... D23/238  
D885,526 S \* 5/2020 Hsu ..... D23/255  
D903,057 S \* 11/2020 Seum ..... D23/255  
D912,217 S \* 3/2021 Eads ..... D23/255  
D912,218 S \* 3/2021 Eads ..... D23/255  
2011/0253751 A1\* 10/2011 Friedman ..... B67D 7/005  
222/566  
2015/0129612 A1\* 5/2015 Bellmore ..... B65D 77/065  
222/105

(\*\*) Term: **15 Years**  
(21) Appl. No.: **29/708,663**  
(22) Filed: **Oct. 8, 2019**

**FOREIGN PATENT DOCUMENTS**

CN 300839712 \* 8/2007  
IN 308342-0001 \* 8/2018

(30) **Foreign Application Priority Data**

Apr. 11, 2019 (EM) ..... 006376745

**OTHER PUBLICATIONS**

Fantini, Posted Jun. 27, 2019 [online], [site visited ]. Available from internet, URL:<<https://www.facebook.com/Fantinirubinetti/photos/a.521487084561202/2427438133966078/?type=3&theater>> (Year: 2019).\*

(51) **LOC (13) Cl.** ..... **23-01**  
(52) **U.S. Cl.**  
USPC ..... **D23/238**  
(58) **Field of Classification Search**  
USPC ..... D23/238-244, 252, 254-255, 257;  
D8/307-308; D9/434, 447  
CPC .... F16K 31/602; F16K 31/605; F16K 31/607;  
E03C 1/0412  
See application file for complete search history.

(Continued)

*Primary Examiner* — Barbara Fox  
*Assistant Examiner* — Jamaal Rasheed  
(74) *Attorney, Agent, or Firm* — MH2 Technology Law Group LLP

(56) **References Cited**

(57) **CLAIM**

The ornamental design for a faucet, as shown and described.

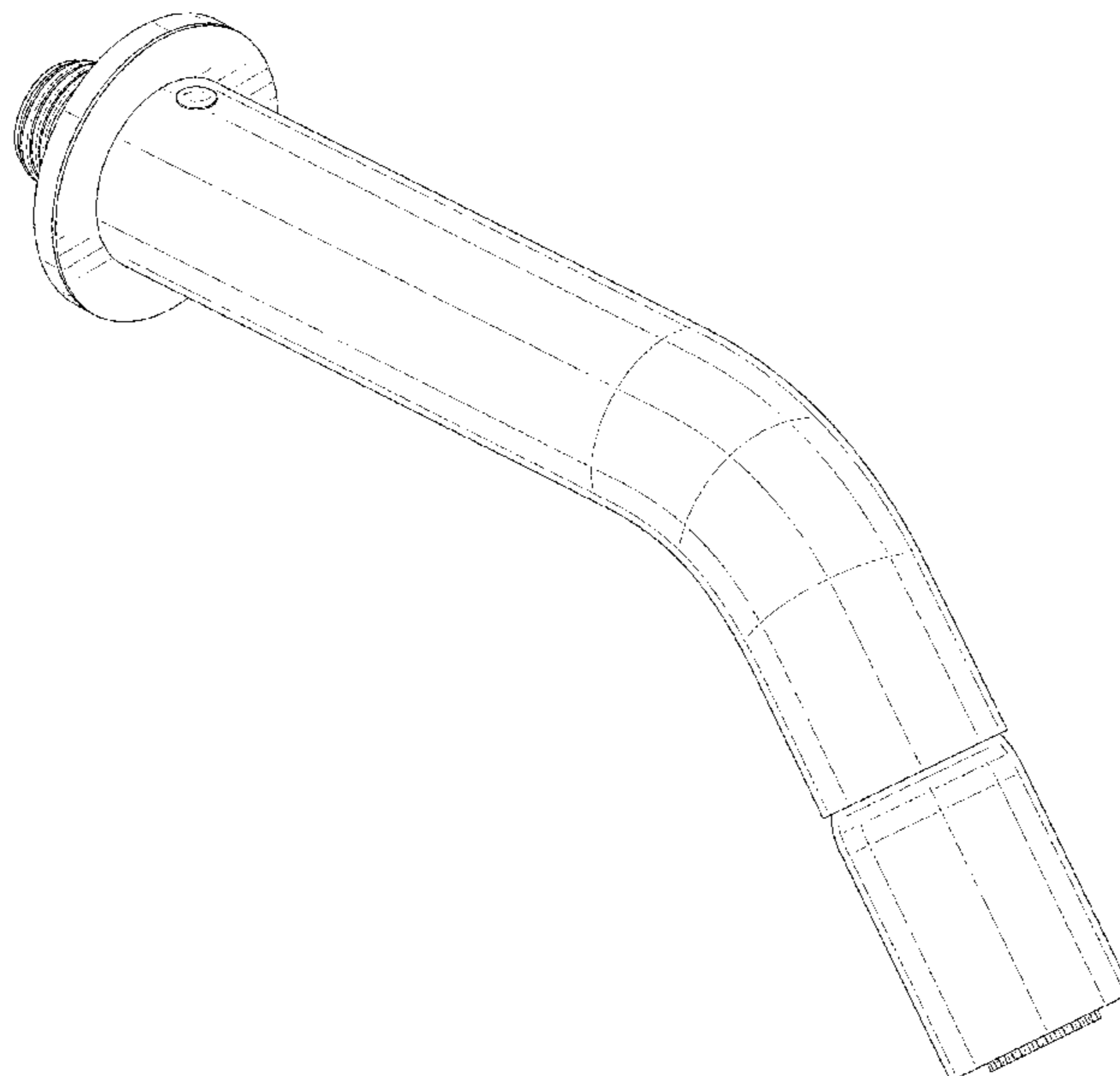
**U.S. PATENT DOCUMENTS**

**DESCRIPTION**

D314,514 S \* 2/1991 Ten Eyck ..... D9/435  
D445,875 S \* 7/2001 Fleischmann ..... D23/238  
D533,924 S \* 12/2006 Kirar ..... D23/255  
D580,519 S \* 11/2008 Citterio ..... D23/238  
D811,531 S \* 2/2018 Schoenherr ..... D23/238  
D827,780 S \* 9/2018 Soulier ..... D23/238  
D839,997 S \* 2/2019 Cummings ..... D23/255  
D844,756 S \* 4/2019 Cummings ..... D23/255  
D863,513 S \* 10/2019 Meyers ..... D23/255

FIG. 1 is a right-side elevation view of a faucet showing my new design;  
FIG. 2 is a top, rear, left perspective view thereof;  
FIG. 3 is a top plan view thereof;  
FIG. 4 is a front elevation view thereof;  
FIG. 5 is a left-side elevation view thereof; and,  
FIG. 6 is a rear elevation view thereof.

**1 Claim, 6 Drawing Sheets**



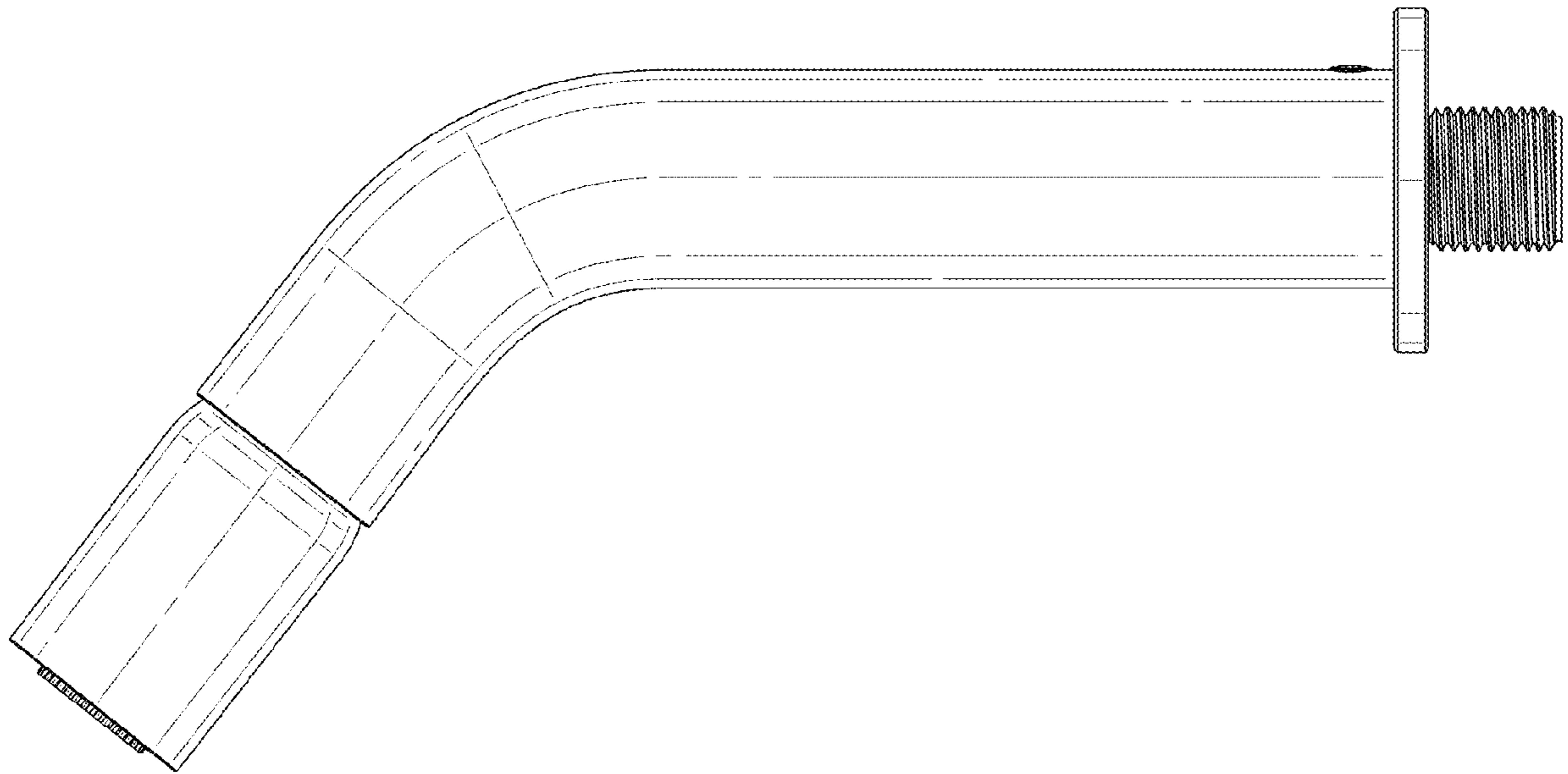
(56)

**References Cited**

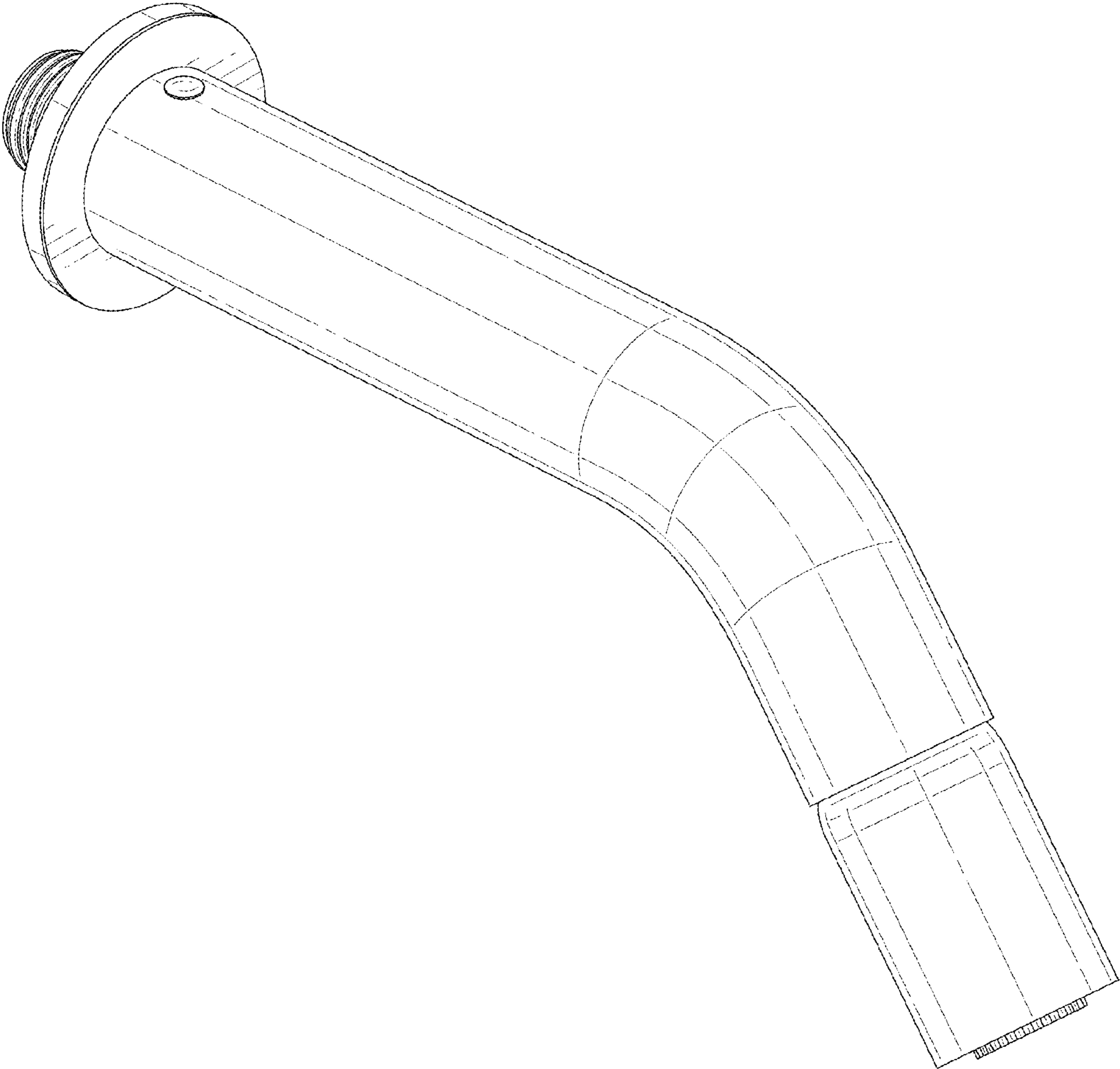
OTHER PUBLICATIONS

Kingston Brass KS8028DL Concord 2-Handle Wall Mount Roman Tub Faucet, first available Aug. 16, 2018 [online], [site visited Mar. 22, 2021 ]. Available from internet, URL:<<https://www.amazon.com/Kingston-Brass-KS8028DL-Concord-2-Handle/dp/B07H4C94B1?th=1>> (Year: 2020).\*

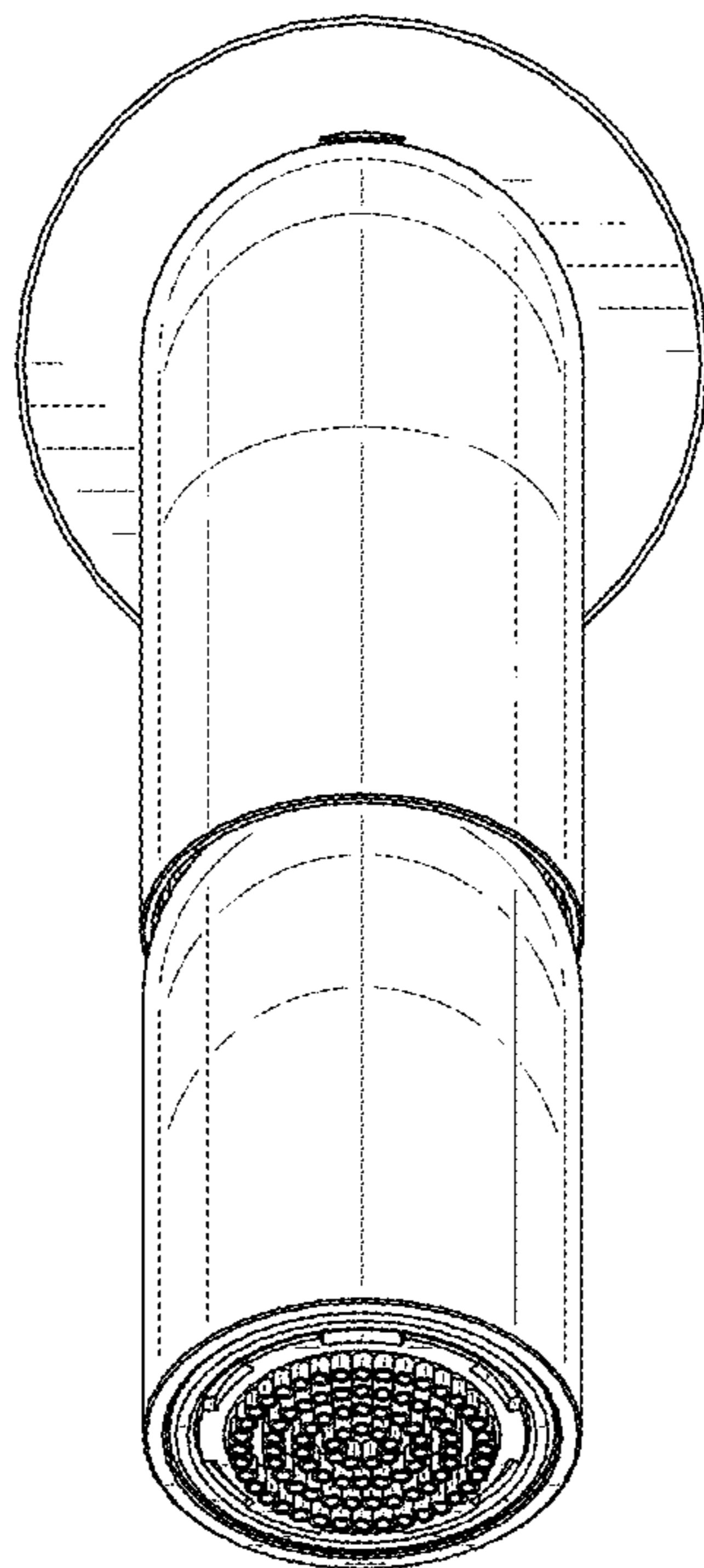
\* cited by examiner



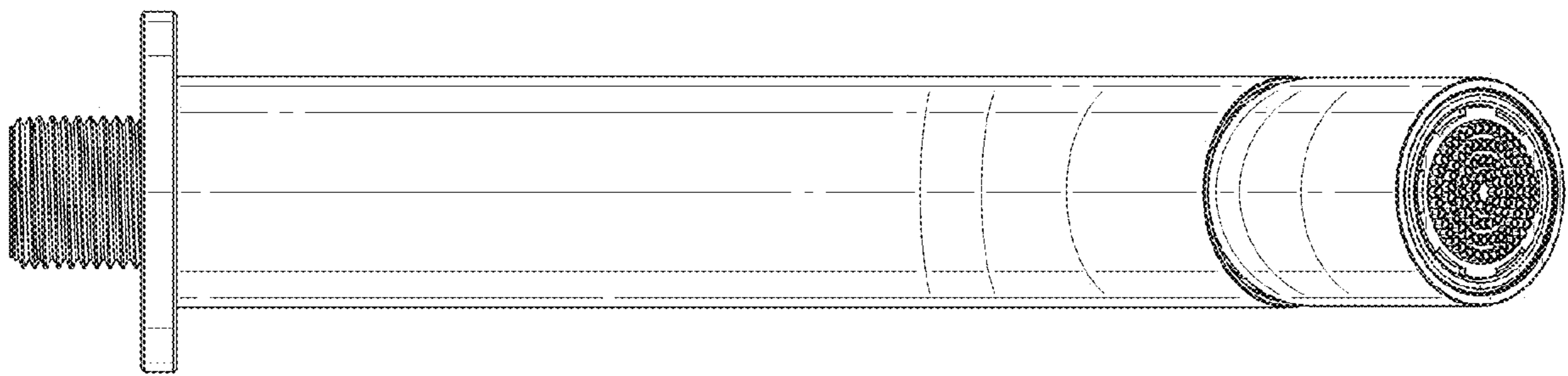
**FIG. 1**



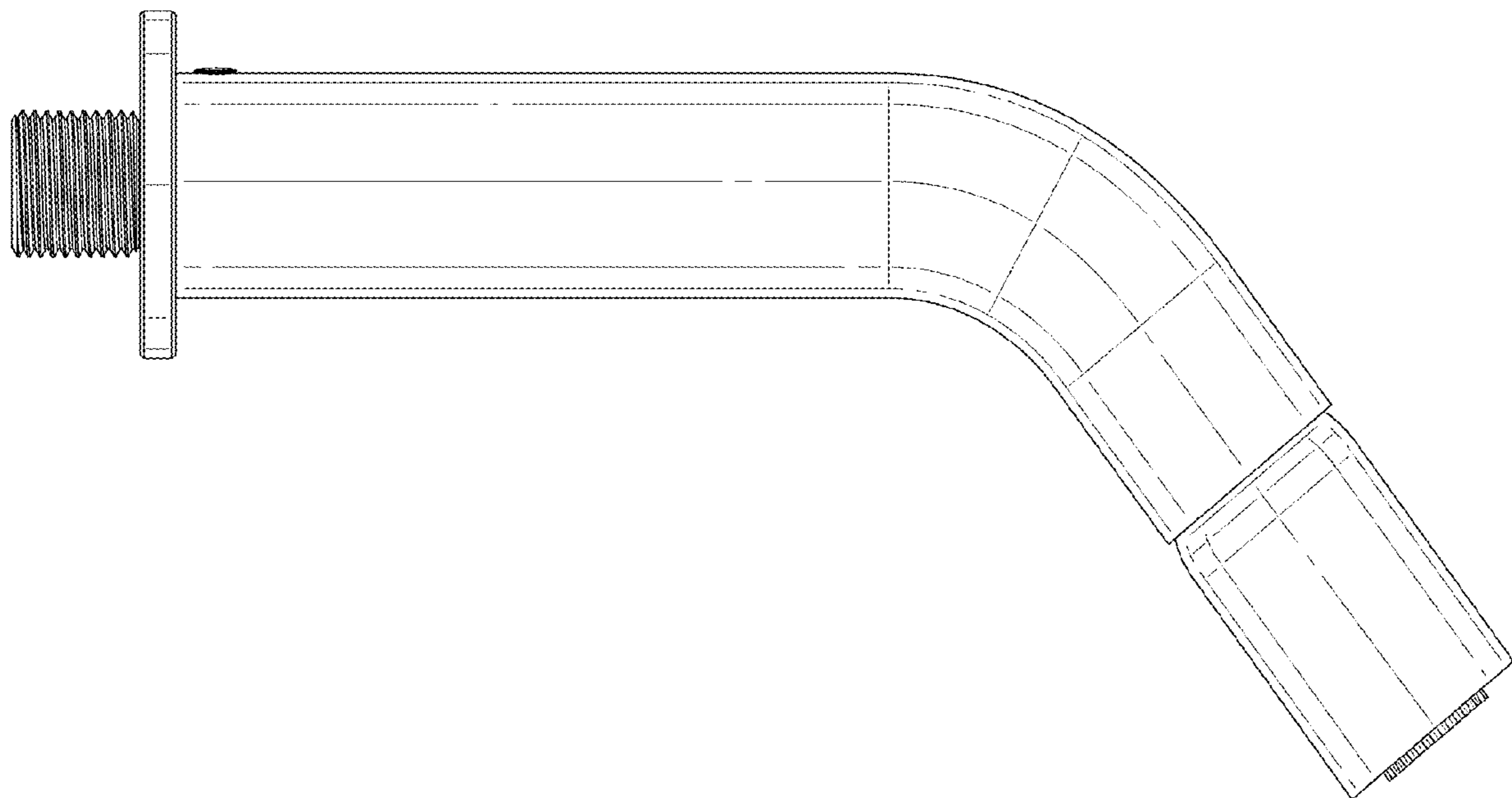
**FIG. 2**



**FIG. 3**

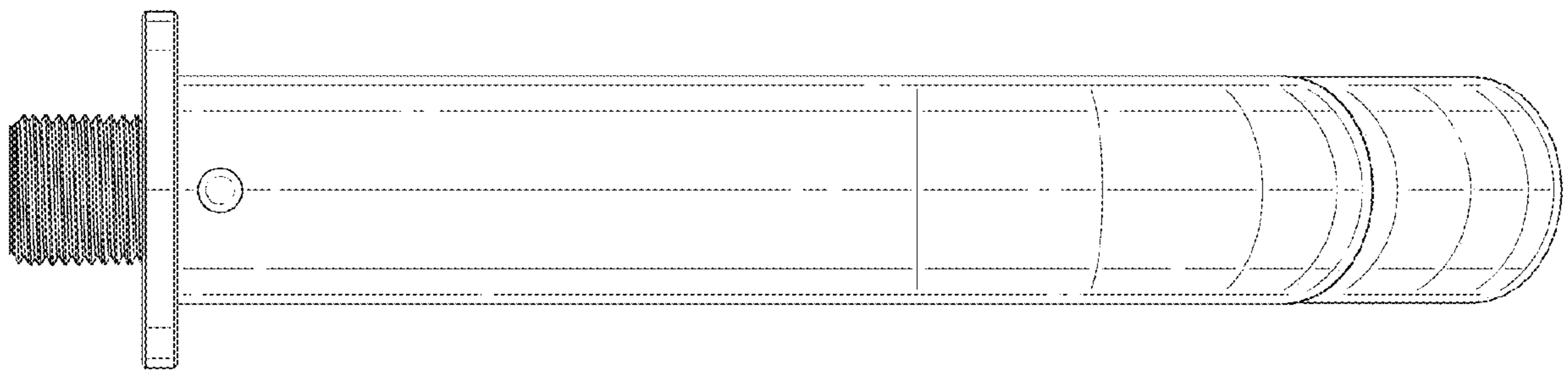


**FIG. 4**



**FIG. 5**





**FIG. 6**