



US00D956178S

(12) **United States Design Patent** (10) **Patent No.:** **US D956,178 S**  
**Lin** (45) **Date of Patent:** **\*\* Jun. 28, 2022**

(54) **WATER PIPE SPRINKLER**  
(71) Applicant: **Changzheng Lin**, Zhejiang (CN)  
(72) Inventor: **Changzheng Lin**, Zhejiang (CN)  
(73) Assignee: **Zhejiang Haochuan Rubber and Plastic Co., Ltd.**, Jinhua (CN)

D691,418 S \* 10/2013 Minton ..... D7/400  
D748,757 S \* 2/2016 Holmes ..... D23/214  
D753,791 S \* 4/2016 Rashid ..... D23/209  
9,802,844 B2 \* 10/2017 Elliott ..... C02F 1/50  
D818,812 S \* 5/2018 Schrawder ..... D8/397  
D884,865 S \* 5/2020 Damon ..... D23/365  
D902,651 S \* 11/2020 Lee ..... D7/400  
D912,203 S \* 3/2021 Andersen ..... C10J 3/845  
D23/213

(\*\*) Term: **15 Years**

(Continued)

(21) Appl. No.: **29/764,939**

(22) Filed: **Jan. 5, 2021**

(51) **LOC (13) Cl.** ..... **23-01**

(52) **U.S. Cl.**  
USPC ..... **D23/214**

(58) **Field of Classification Search**  
USPC ..... D23/213, 214, 215, 221-222, 223, 224,  
D23/226, 229, 230  
CPC ..... A61H 9/0021; A61H 33/00; B05B 1/00;  
B05B 1/14; B05B 1/185; B05B 1/08;  
B05B 1/02; B05B 1/26; B05B 12/002;  
B05B 1/18; B05B 9/01  
See application file for complete search history.

(56) **References Cited**

**U.S. PATENT DOCUMENTS**

D388,502 S \* 12/1997 Kah, III ..... D23/214  
5,722,593 A \* 3/1998 McKenzie ..... B05B 1/1672  
239/240  
D412,557 S \* 8/1999 Palestrant ..... D23/214  
D413,372 S \* 8/1999 Jensen ..... D23/214  
D466,585 S \* 12/2002 Alkalay ..... D23/214  
6,913,211 B2 \* 7/2005 Chen ..... F16L 27/1274  
239/281  
D551,318 S \* 9/2007 MacNeil ..... D23/209  
D631,132 S \* 1/2011 Conceicao ..... D23/214  
D643,090 S \* 8/2011 Cumberland ..... D23/209  
D643,508 S \* 8/2011 Wilkinson ..... D23/209  
D686,296 S \* 7/2013 Melzer ..... D23/209  
D687,123 S \* 7/2013 Ringer ..... D23/214

**OTHER PUBLICATIONS**

Orbit 55662 Voyager II Professional 4" Adjustable Pop-Up Gear Drive Rotor Sprinkler Spray Head, Nov. 4, 2011, amazon.ca, Jan. 25, 2022, URL: <https://www.amazon.ca/Orbit-55662-Professional-Adjustable-Sprinkler/dp/B001SN81CC/> (Year: 2011).\*

(Continued)

*Primary Examiner* — Jack Reickel  
*Assistant Examiner* — Keith J Wilson

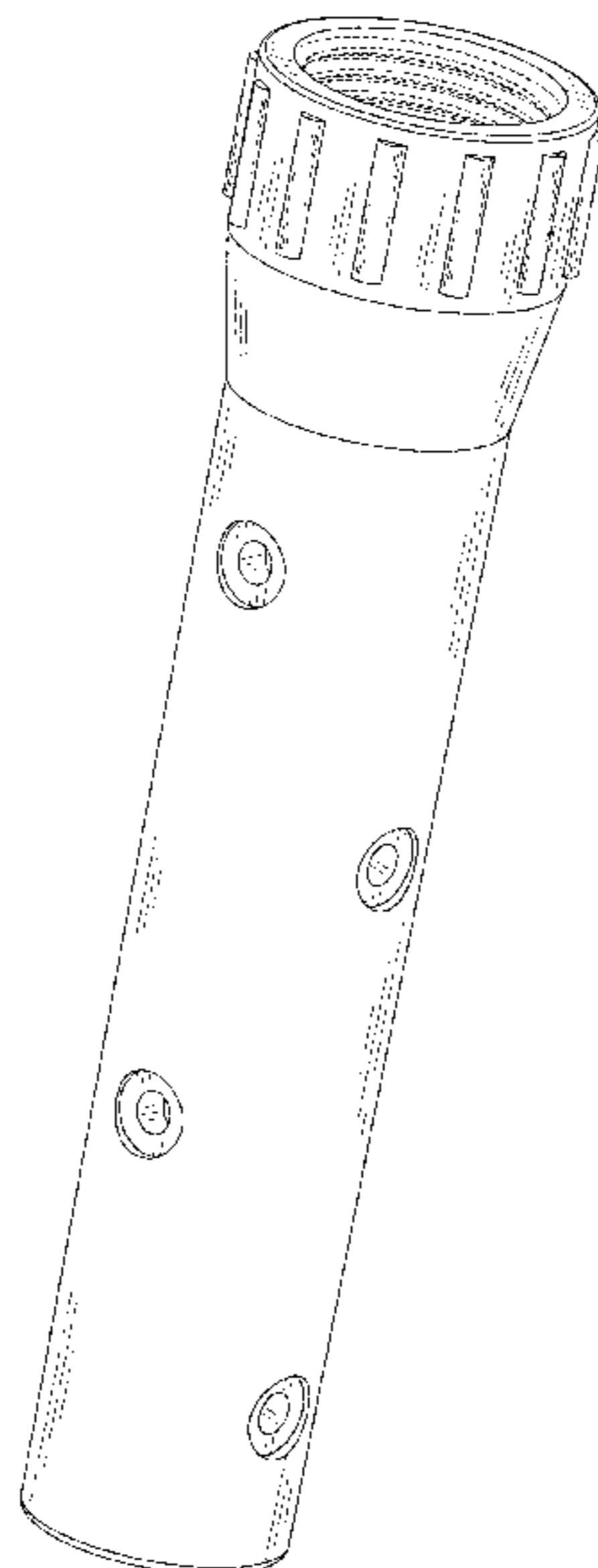
(57) **CLAIM**

The ornamental design for a water pipe sprinkler, as shown and described.

**DESCRIPTION**

FIG. 1 is a perspective view of a water pipe sprinkler showing my new design;  
FIG. 2 is a front elevational view thereof;  
FIG. 3 is a rear elevational view thereof;  
FIG. 4 is a left side elevational view thereof;  
FIG. 5 is a right side elevational view thereof;  
FIG. 6 is a top plan view thereof;  
FIG. 7 is a bottom plan view thereof; and,  
FIG. 8 is another perspective view thereof.  
The broken lines throughout the drawing figures and all areas within depict portions of the water pipe sprinkler that from no part of the claimed design.

**1 Claim, 8 Drawing Sheets**





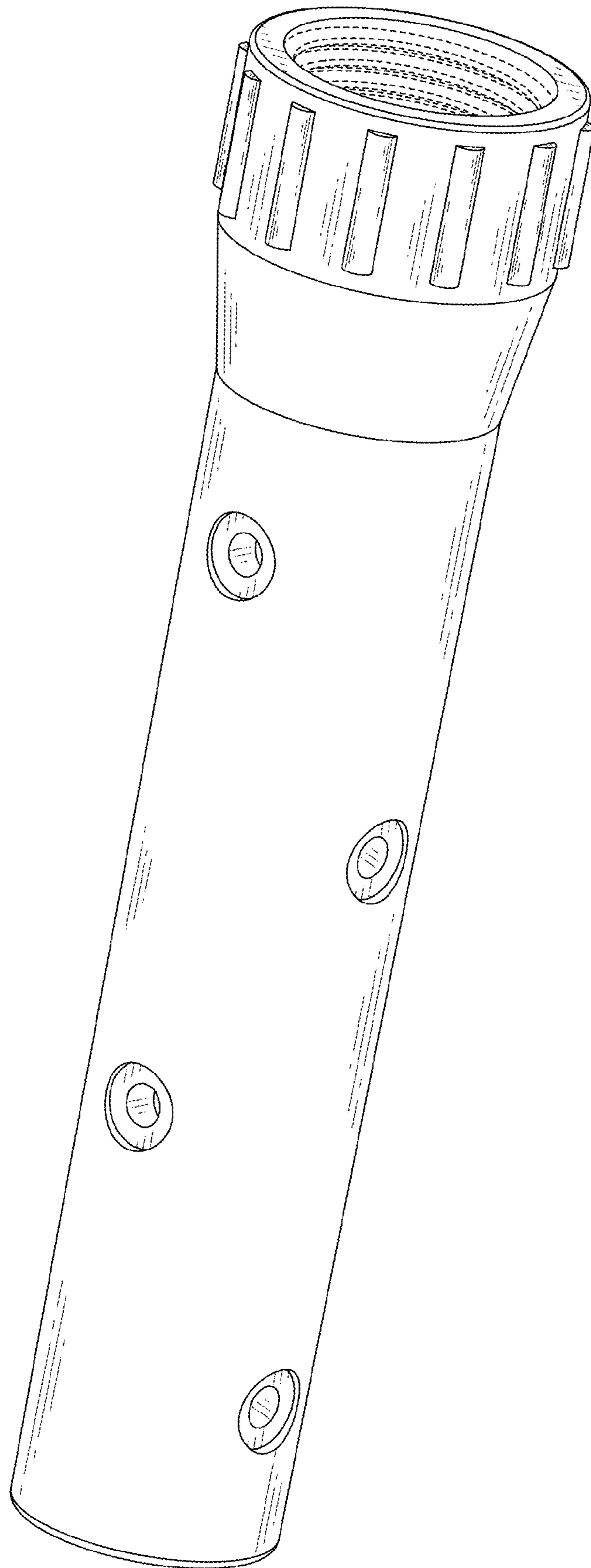


FIG.1

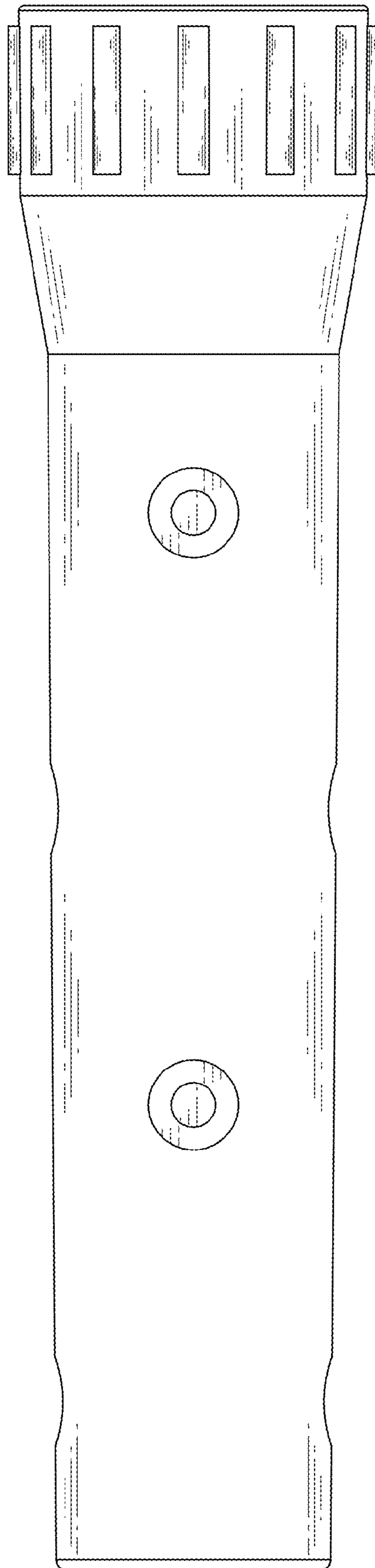


FIG.2

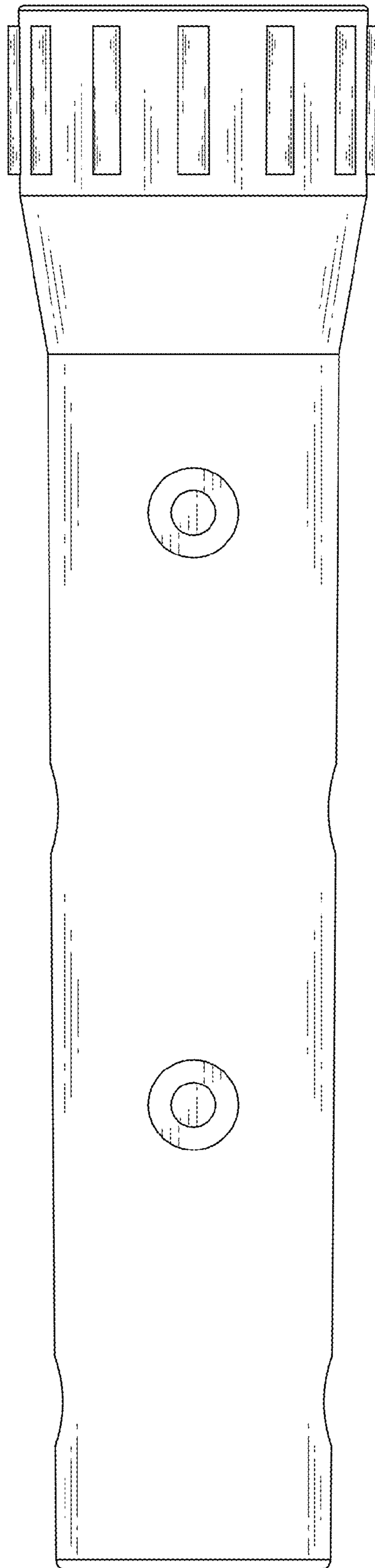


FIG.3

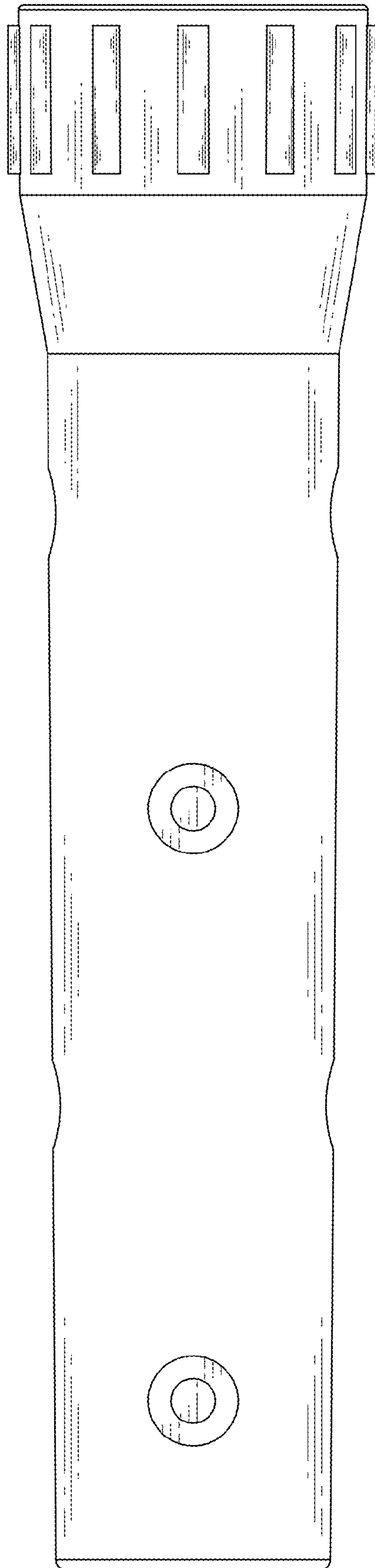


FIG.4

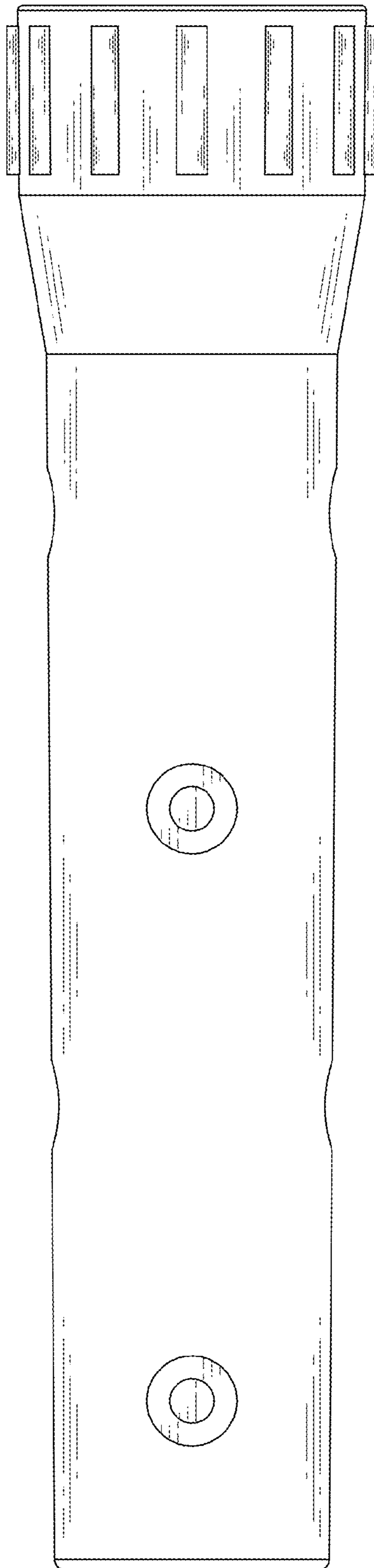


FIG.5

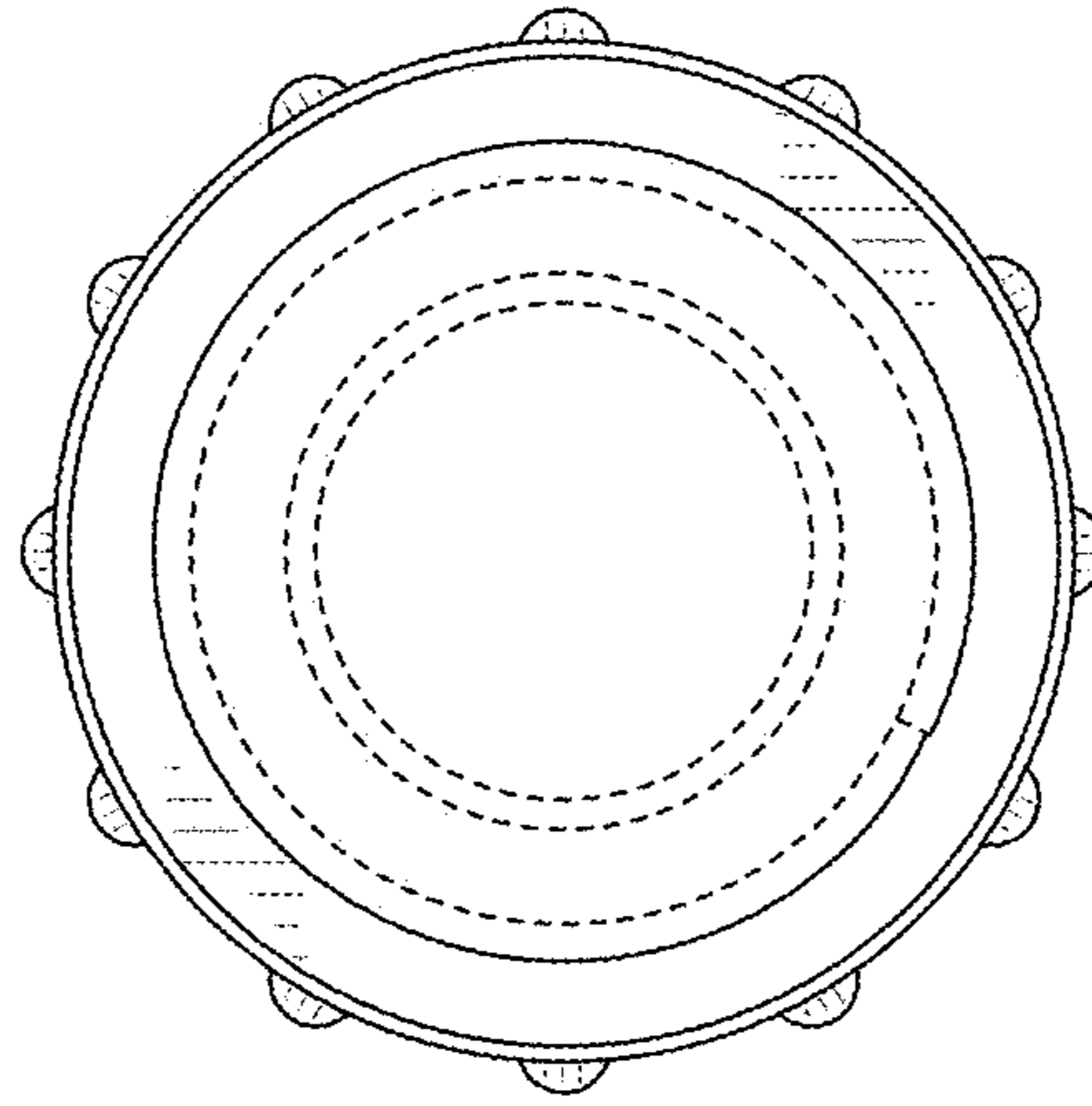


FIG.6



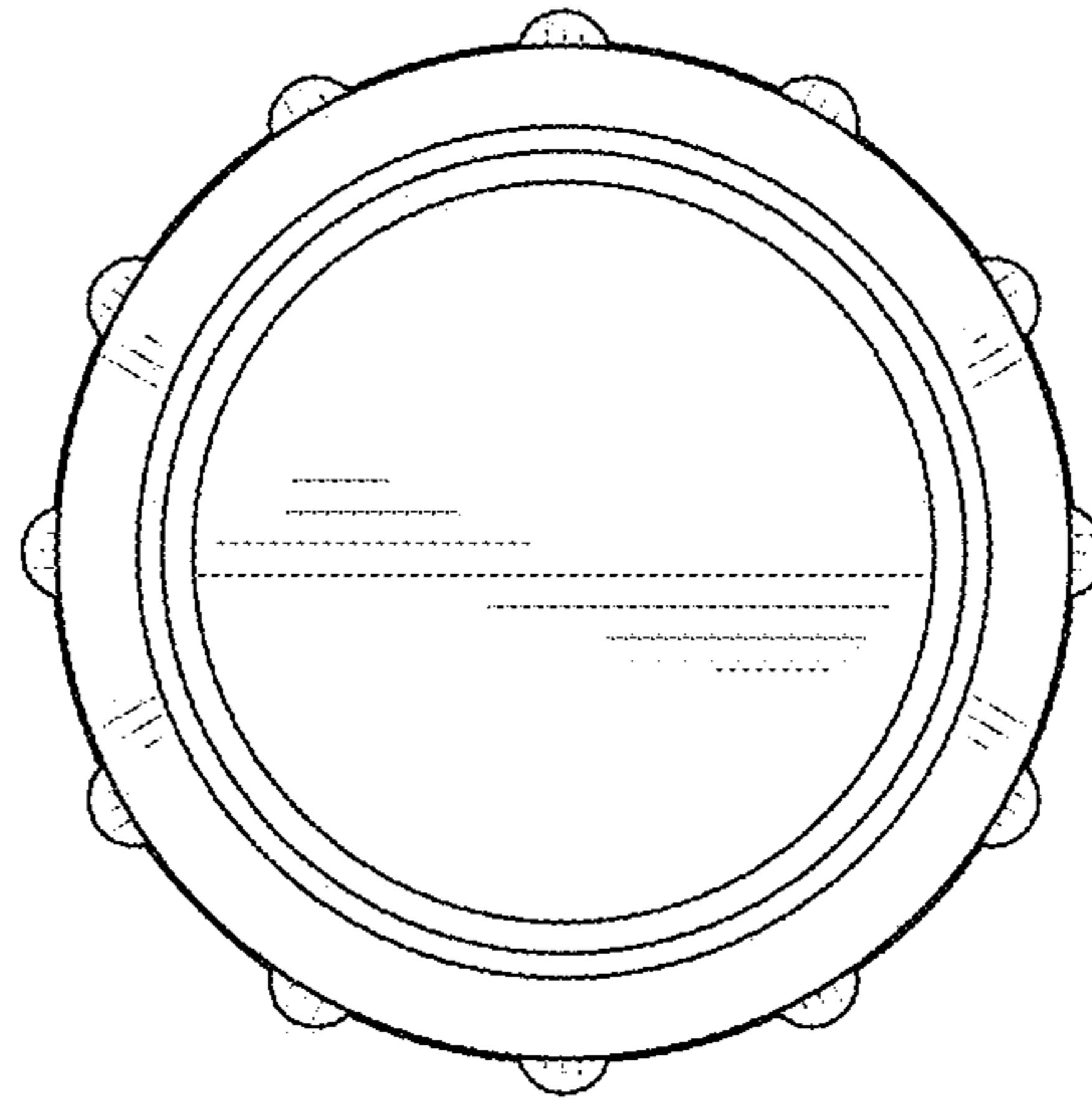


FIG.7

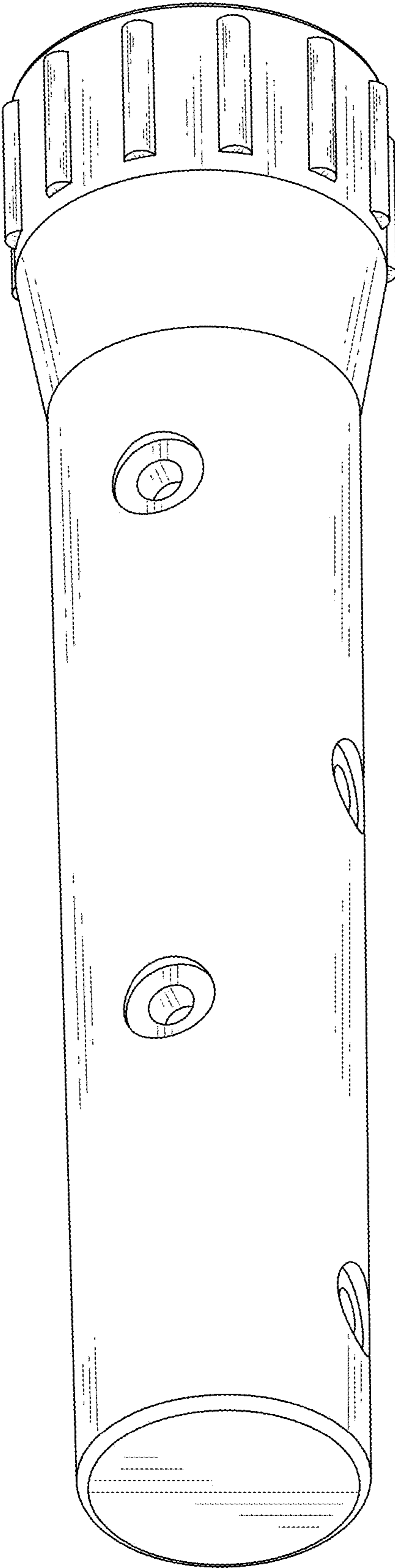


FIG.8