



US00D956177S

(12) **United States Design Patent** (10) **Patent No.:** **US D956,177 S**
Stech et al. (45) **Date of Patent:** **** Jun. 28, 2022**

(54) **ELECTROSTATIC SPRAY PROBE**

FOREIGN PATENT DOCUMENTS

(71) Applicant: **Graco Minnesota Inc.**, Minneapolis, MN (US)

CN 3386125 8/2004
CN 303427785 S 11/2015

(Continued)

(72) Inventors: **Amelia J. Stech**, St. Paul, MN (US);
Elisa J. McCline, Elk River, MN (US);
Mark E. Ulrich, Oak Grove, MN (US);
Mark C. Richter, River Falls, WI (US)

OTHER PUBLICATIONS

PAGOW 10pcs Multimeter Test Hook Clip, Electrical Testing Colorful Test Grabber Probe, May 13, 2020, amazon.ca, Mar. 23, 2022, URL: <https://www.amazon.com/PAGOW-Multimeter-Electrical-Electronic-Components/dp/B088LLCRBP/> (Year: 2020).*

(Continued)

(73) Assignee: **Graco Minnesota Inc.**, Minneapolis, MN (US)

(**) Term: **15 Years**

Primary Examiner — Keith J Wilson

(21) Appl. No.: **29/811,033**

(74) *Attorney, Agent, or Firm* — Kinney & Lange, P.A.

(22) Filed: **Oct. 11, 2021**

Related U.S. Application Data

(63) Continuation of application No. 29/693,195, filed on May 31, 2019, now Pat. No. Des. 934,383.

(51) **LOC (13) Cl.** **23-01**

(52) **U.S. Cl.**

USPC **D23/213**

(58) **Field of Classification Search**

USPC D23/213, 214, 215, 223, 221, 224–230

CPC A62C 31/28; A62C 33/04; B05B 1/00;

B05B 1/14; B05B 1/185; B05B 1/08;

B05B 1/02; B05B 1/26; B05B 12/002;

B05B 1/18; B05B 9/01

See application file for complete search history.

(56) **References Cited**

U.S. PATENT DOCUMENTS

D313,064 S 12/1990 Lind et al.
D350,387 S 9/1994 Lind et al.
D373,813 S * 9/1996 Guo D23/223
D373,814 S * 9/1996 Wang D23/223
D405,503 S 2/1999 Endo

(Continued)

(57) **CLAIM**

The ornamental design for an electrostatic spray probe, as shown and described.

DESCRIPTION

FIG. 1 is a perspective view of a first embodiment of an electrostatic spray probe;

FIG. 2 is a front elevational view of the first embodiment of the electrostatic spray probe;

FIG. 3 is a rear elevational view of the first embodiment of the electrostatic spray probe;

FIG. 4 is a right side view of the first embodiment of the electrostatic spray probe;

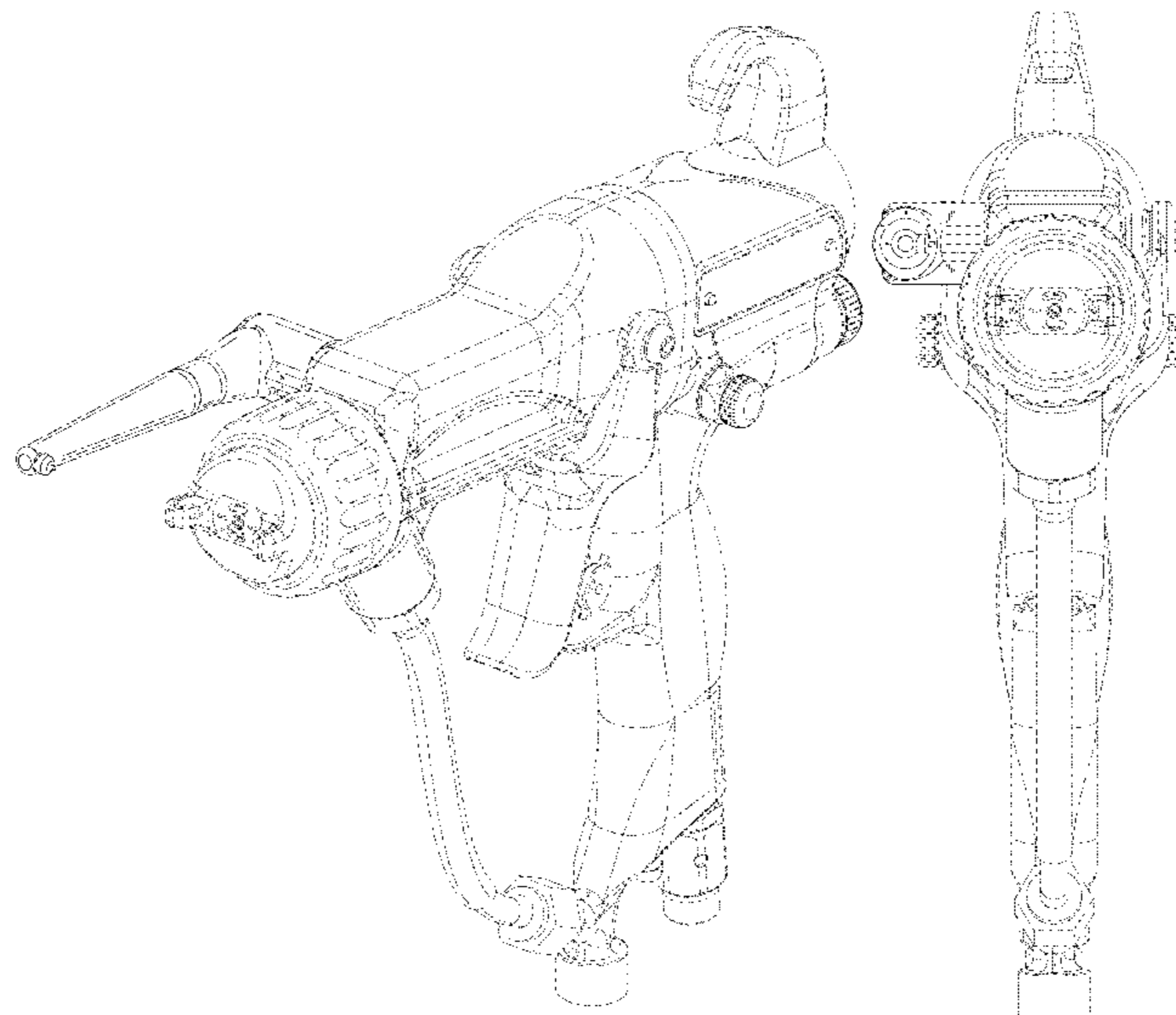
FIG. 5 is a left side view of the first embodiment of the electrostatic spray probe;

FIG. 6 is a top plan view of the first embodiment of the electrostatic spray probe; and,

FIG. 7 is a bottom plan view of the first embodiment of the electrostatic spray probe.

The broken lines are shown for environmental purposes and form no part of the claimed design.

1 Claim, 7 Drawing Sheets



(56)

References Cited

U.S. PATENT DOCUMENTS

D407,140 S * 3/1999 Heren D23/223
 6,047,861 A * 4/2000 Vidal A61B 17/00491
 222/137
 D441,833 S 5/2001 Haas
 6,311,871 B1 * 11/2001 Binder B05C 17/00516
 222/145.6
 D457,599 S 5/2002 Karwoski et al.
 D459,786 S * 7/2002 Sweeton D23/213
 6,419,545 B1 * 7/2002 Motosko A63H 17/00
 446/176
 D463,509 S * 9/2002 Huang D21/572
 D464,707 S * 10/2002 Wang D23/226
 D470,220 S * 2/2003 Nien D23/226
 D475,435 S * 6/2003 Chen D23/223
 D495,400 S 8/2004 Hopper
 D499,167 S * 11/2004 Sweeton D23/213
 D501,537 S * 2/2005 Zeng D23/226
 D501,538 S * 2/2005 Zeng D23/226
 D517,645 S * 3/2006 Chang D23/226
 D522,088 S * 5/2006 Roman D23/223
 7,077,339 B2 * 7/2006 Leach A61B 17/00491
 222/137
 D532,077 S * 11/2006 Chen D23/213
 D537,503 S 2/2007 Huang
 D545,943 S 7/2007 Rodgers et al.
 D575,374 S 8/2008 Huang
 D578,603 S * 10/2008 Khaitov D23/213
 D588,231 S * 3/2009 Pellin D23/213
 7,588,726 B1 9/2009 Mouradian et al.
 D607,086 S 12/2009 Kosaka
 D608,858 S 1/2010 Baltz et al.
 8,136,698 B1 * 3/2012 Beaulieu B05B 7/2445
 222/105
 D666,692 S * 9/2012 Beaulieu D23/223
 D672,012 S 12/2012 Brose et al.
 D674,849 S * 1/2013 Wilson D21/572
 D704,300 S 5/2014 Li et al.
 D725,743 S 3/2015 Richter et al.
 D726,872 S * 4/2015 Thurgood D23/223
 D727,466 S 4/2015 Richter et al.
 D749,696 S * 2/2016 Thurgood D23/223
 D757,214 S 5/2016 Richter et al.
 D757,216 S 5/2016 Gehrung
 9,433,953 B2 9/2016 Ghesla et al.
 D770,593 S 11/2016 Gehrung et al.
 D773,609 S * 12/2016 Morita D23/213
 D778,405 S 2/2017 Wang
 D792,944 S * 7/2017 Cheng D23/224
 D792,945 S * 7/2017 Cheng D23/224
 D794,755 S 8/2017 Wang
 D799,003 S * 10/2017 Wojan D23/223
 D799,005 S * 10/2017 Wojan D23/223
 D800,255 S * 10/2017 Chen D23/226
 D800,868 S * 10/2017 Crenshaw D23/226
 D801,477 S 10/2017 Mazur
 D803,353 S 11/2017 Negri et al.
 D809,096 S * 1/2018 Wang D23/223
 D812,717 S * 3/2018 Crenshaw D23/226
 D812,718 S 3/2018 Kosaka
 D820,952 S * 6/2018 Chen D23/223
 D820,953 S * 6/2018 Chen D23/223
 D821,544 S * 6/2018 Urry D23/223
 D821,545 S * 6/2018 Gehrung D23/226
 D824,486 S * 7/2018 Urry D23/223
 D824,492 S * 7/2018 Chen D23/223
 D830,506 S * 10/2018 Gehrung D23/223
 D831,792 S * 10/2018 Gehrung D23/223
 D835,235 S 12/2018 Gehrung et al.
 D838,340 S * 1/2019 Svendsen D23/223
 D838,809 S * 1/2019 Svendsen D23/223
 D854,123 S 7/2019 Becker et al.
 D858,698 S 9/2019 Arino et al.
 D861,130 S 9/2019 Carls
 D888,196 S * 6/2020 Okajima D23/213

10,835,911 B2 11/2020 Gehrung et al.
 10,843,211 B2 11/2020 Becker et al.
 D937,385 S * 11/2021 Takeshita D23/214
 D943,061 S * 2/2022 McIntyre, II F02C 7/222
 D23/214
 2002/0178789 A1 12/2002 Sunshine et al.
 2012/0024042 A1 2/2012 Vass et al.
 2015/0017327 A1 * 1/2015 Myers B05B 7/1209
 427/207.1
 2017/0131253 A1 5/2017 Gutierrez
 2017/0231212 A1 * 8/2017 Crenshaw A01M 7/0046
 239/11
 2017/0248514 A1 8/2017 Pavey et al.
 2019/0299233 A1 10/2019 Johnston et al.

FOREIGN PATENT DOCUMENTS

KR 300839627 S 2/2016
 WO 0025108 A1 5/2000

OTHER PUBLICATIONS

ZIBOO ZB-T12 Piercing Probe Set Power Probe, Jul. 2, 2020, amazon.ca, Mar. 23, 2022, URL: <https://www.amazon.com/ZIBOO-Piercing-Automotive-Puncture-Scoping/dp/B08C9WBKV6/> (Year: 2020).*

Dynastus 33 oz Siphon Feed Spray Gun—2.5mm Nozzle, May 1, 2019, Amazon.com May 19, 2021. URL: <https://www.amazon.com/Siphon-Feed-Spray-Gun-Oil-Based-dp/B07FTPY4RD/> (Year: 2019).

Join Ware Pneumatic Tool Automatic Air Paint Spray Gun With 1.2 mm Nozzle, Sep. 18, 2018. Amazon.com. Jun. 14, 2021. URL: <https://www.amazon.com/Join-Ware-Pneumatic-Automatic-Assembly/dp/B07HG3X8G2> (Year: 2019).

Meiji A-100 Automatic Pneumatic High Atomization Spray Paint Spraying Gun, Jul. 29, 2016, Amazon.com Jun. 14, 2021. URL: <https://amazon.com/Meiji-Automatic-Pneumatic-Atomization-Spraying/dp/B06XK8MJ6X> (Year: 2020).

Professional HVLP Siphon Feed Spray Gun, Oct. 6, 2020, Amazon.com, May 19, 2021. URL: <https://www.amazon.com/dp/B08KS2MB8K> (Year: 2020).

Second Japanese Office Action for JP Application No. 2019-026340, dated Jul. 15, 2020, pp. 4.
https://www.amazon.com/Graco-287926-Assisted-Paint-Spray/dp/B01J560BW/ref=sr_1_151?dchild=1&keywords=graco+paint+spray+gun&qid=1586801533&sr=8-151 (year:2020), 1.

First Japanese Office Action for JP Application No. 2019-026340, dated Mar. 18, 2020, pp. 3.

First Japanese Office Action for JP Application No. 2019-026341, dated Mar. 18, 2020, pp. 3.

First Japanese Office Action for JP Application No. 2019-026345, dated Mar. 18, 2020, pp. 3.

First ROC (Taiwan) Office Action for TW Application No. 108307240, dated May 14, 2020, pp. 3.

Second Japanese Office Action for JP Application No. 2019-026338, dated Jul. 15, 2020, pp. 4.

ROC (Taiwan) Design Patent Application Search Report for TW Application No. 109304510, dated Mar. 25, 2021, pp. 5.

Second ROC (Taiwan) Patent Application No. 108307240, dated Aug. 21, 2020, pp. 6.

ROC (Taiwan) Design Patent Application Search Report for TW Application No. 109304511, dated Mar. 25, 2021, pp. 5.

ROC (Taiwan) Design Patent Application Search Report for TW Application No. 109304517, dated Mar. 25, 2021, pp. 5.

First Brazilian Office Action for BR Application No. BR302019005850-2, dated Mar. 24, 2020, pp. 3.

First Examination Report for IN Application No. 324152-001, dated Dec. 16, 2019, pp. 2.

First Examination Report for IN Application No. 324153-001, dated Dec. 18, 2019, pp. 2.

First Examination Report for IN Application No. 324154-001, dated Dec. 19, 2019, pp. 2.

First Examination Report for IN Application No. 324155-001, dated Dec. 27, 2019, pp. 2.

(56)

References Cited

OTHER PUBLICATIONS

First Japanese Office Action for JP Application No. 2019-026338,
dated Mar. 18, 2020, pp. 3.

* cited by examiner

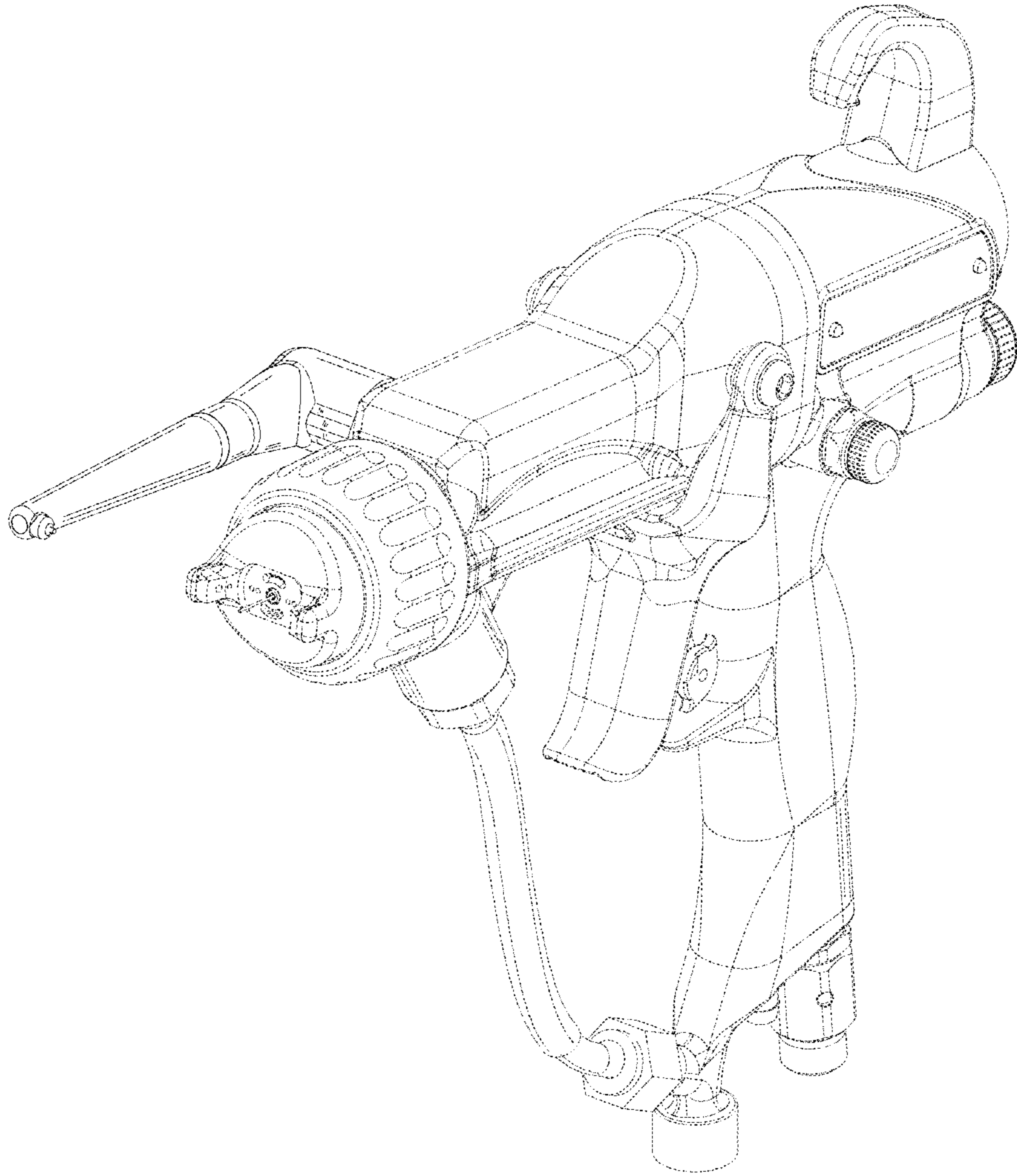


Fig. 1

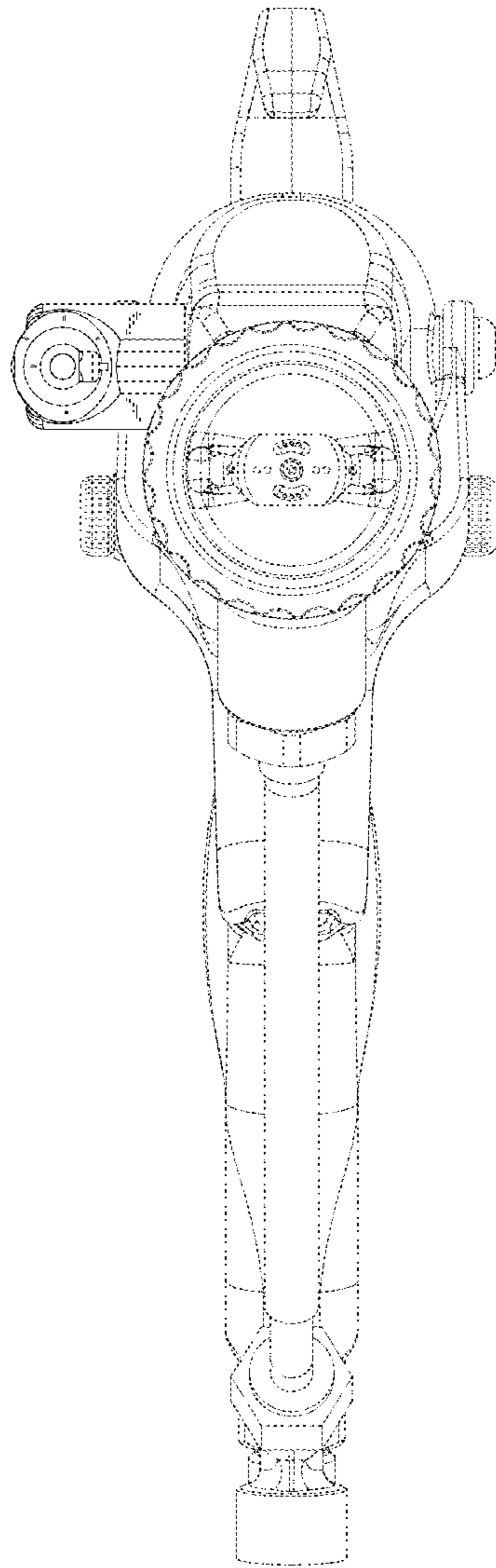


Fig. 2

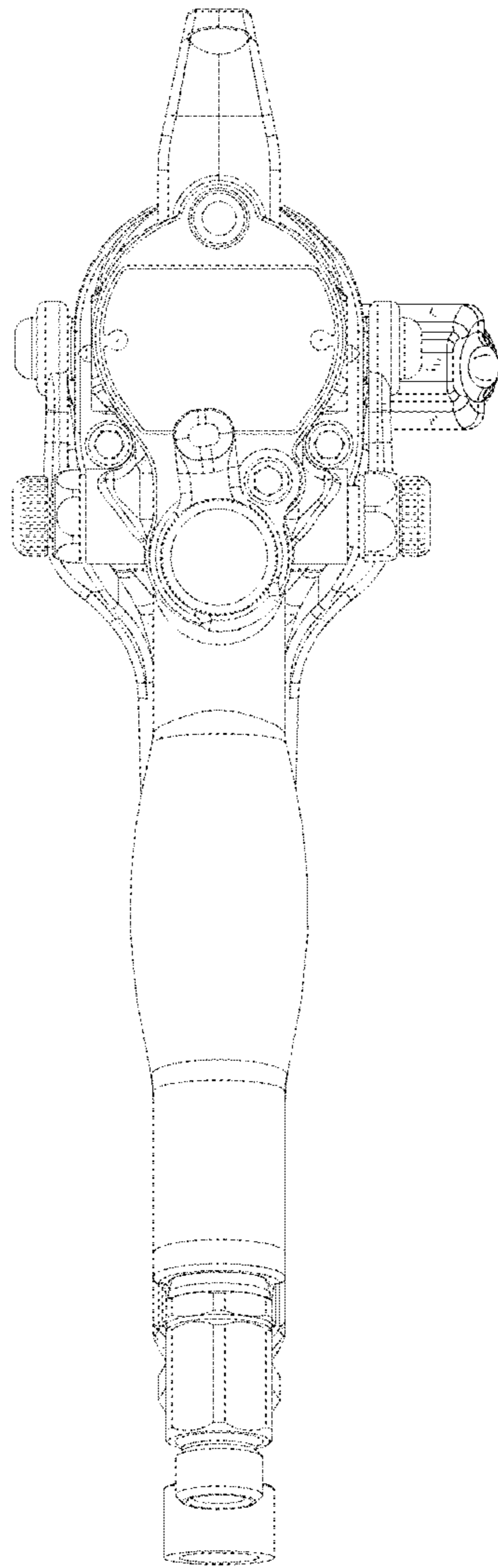


Fig. 3

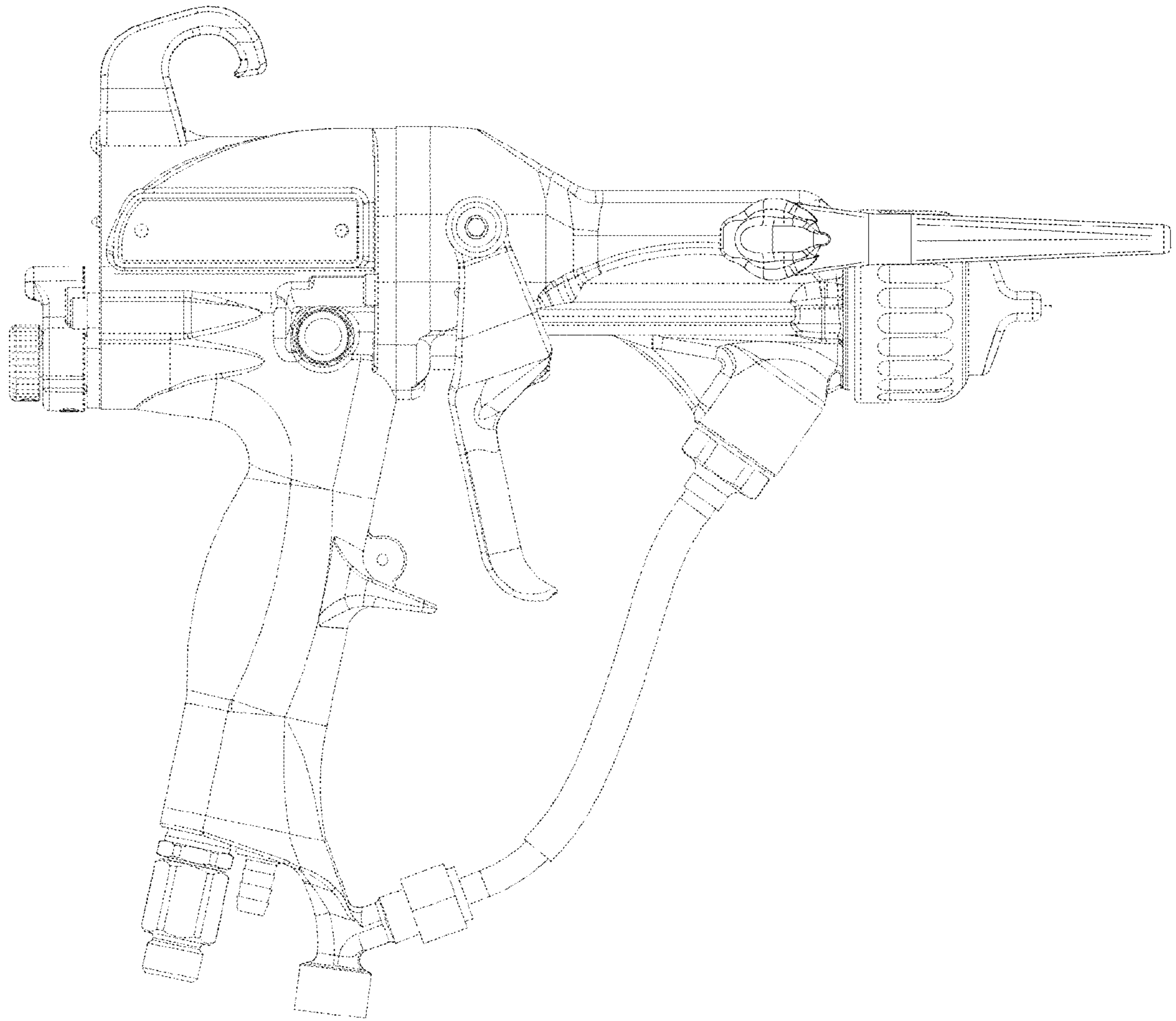


Fig. 4

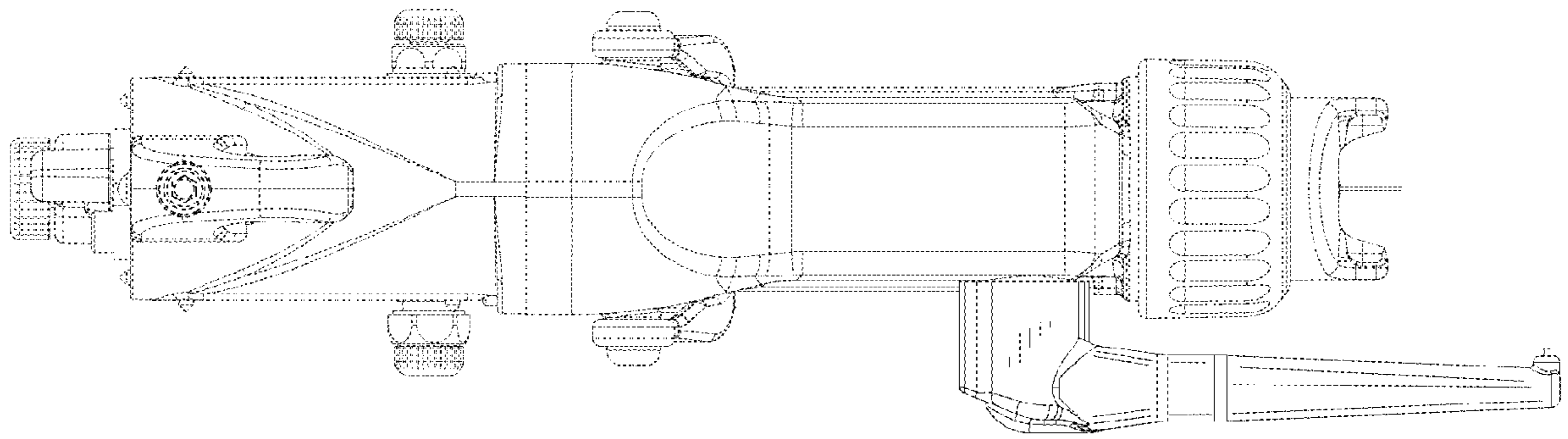


Fig. 6

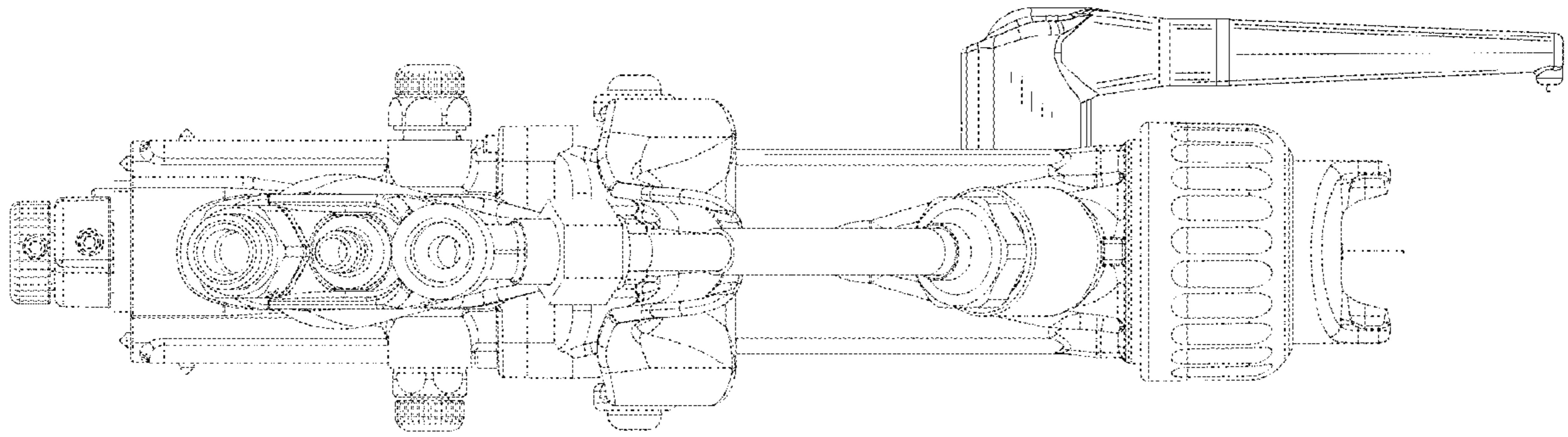


Fig. 7