



US00D956176S

(12) **United States Design Patent** (10) **Patent No.:** **US D956,176 S**
Yan (45) **Date of Patent:** **** Jun. 28, 2022**

(54) **SHOWER HEAD**
(71) Applicant: **Xiamen Galenpoo Kitchen & Bathroom Technology Co., Ltd.,**
Xiamen (CN)
(72) Inventor: **Xiaoling Yan,** Fujian Province (CN)
(**) Term: **15 Years**

D820,388 S 6/2018 Seum et al.
D919,746 S * 5/2021 Lin D23/223
2013/0232684 A1* 9/2013 Schumacher B05B 1/185
4/615
2016/0214122 A1* 7/2016 Yu B05B 1/18
2016/0339457 A1* 11/2016 Hou B05B 1/08
2017/0320072 A1* 11/2017 Zheng B05B 1/18
2018/0193850 A1* 7/2018 Lin B05B 1/1609

* cited by examiner

(21) Appl. No.: **29/777,353**

Primary Examiner — Karen S Acker
Assistant Examiner — Jonathan E Fiencke

(22) Filed: **Apr. 6, 2021**

(57) **CLAIM**

(51) **LOC (13) Cl.** **23-01**

The ornamental design for a shower head, as shown and described.

(52) **U.S. Cl.**
USPC **D23/213**

DESCRIPTION

(58) **Field of Classification Search**
USPC D23/213–214, 223–224, 226, 229, 222,
D23/232, 234
CPC A61H 9/0021; A61H 33/00; B05B 1/00;
B05B 1/14; B05B 1/185; B05B 1/08;
B05B 1/02; B05B 1/26; B05B 12/002;
B05B 1/18; B05B 9/01
See application file for complete search history.

FIG. 1 is a front and top perspective view of a shower head, showing my new design;
FIG. 2 is a rear and bottom perspective view thereof;
FIG. 3 is a front elevation view thereof;
FIG. 4 is a rear elevation view thereof;
FIG. 5 is a left side elevation view thereof;
FIG. 6 is a right side elevation view thereof;
FIG. 7 is a top plan view thereof;
FIG. 8 is a bottom plan view thereof;
FIG. 9 is an enlarged detail view of area 9 circumscribed within FIG. 1; and,
FIG. 10 is an enlarged detail view of area 10 circumscribed within FIG. 2.

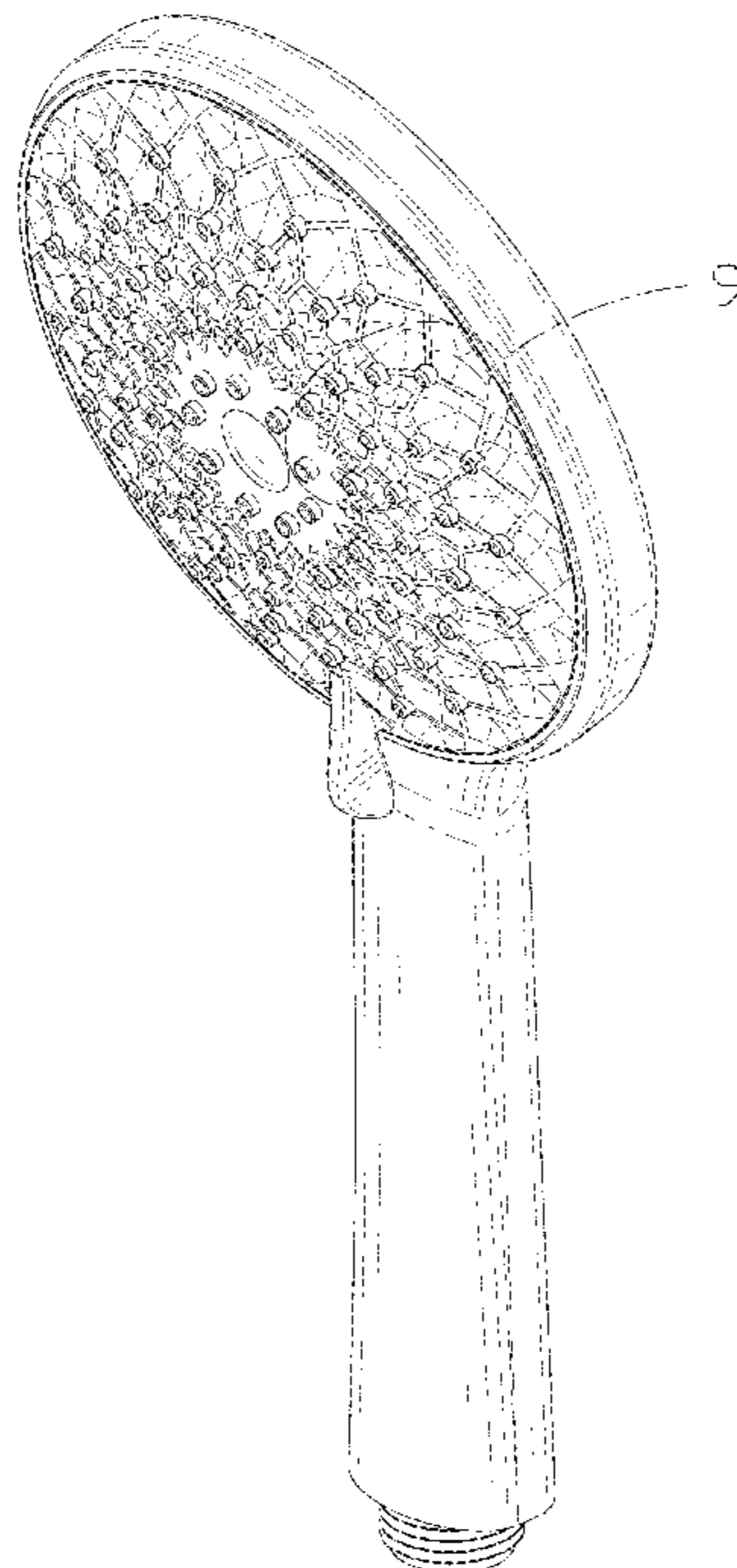
(56) **References Cited**

U.S. PATENT DOCUMENTS

D533,919 S * 12/2006 Tse D23/223
D692,527 S * 10/2013 Hanna D23/213
D707,329 S * 6/2014 Hanna B05B 1/08
D23/213
D745,111 S * 12/2015 Peterson B05B 1/18
D23/229
D779,038 S * 2/2017 Hanna D23/223
D779,039 S * 2/2017 Hanna D23/223
D779,042 S * 2/2017 Hanna B05B 1/185
D23/229

The evenly spaced broken lines and all areas within depict portions of the shower head that form no part of the claimed design. The dot dash dot broken lines in FIGS. 1, 2, 9 and 10 depict the boundaries of the enlarged detail views and form no part of the claimed design.

1 Claim, 10 Drawing Sheets



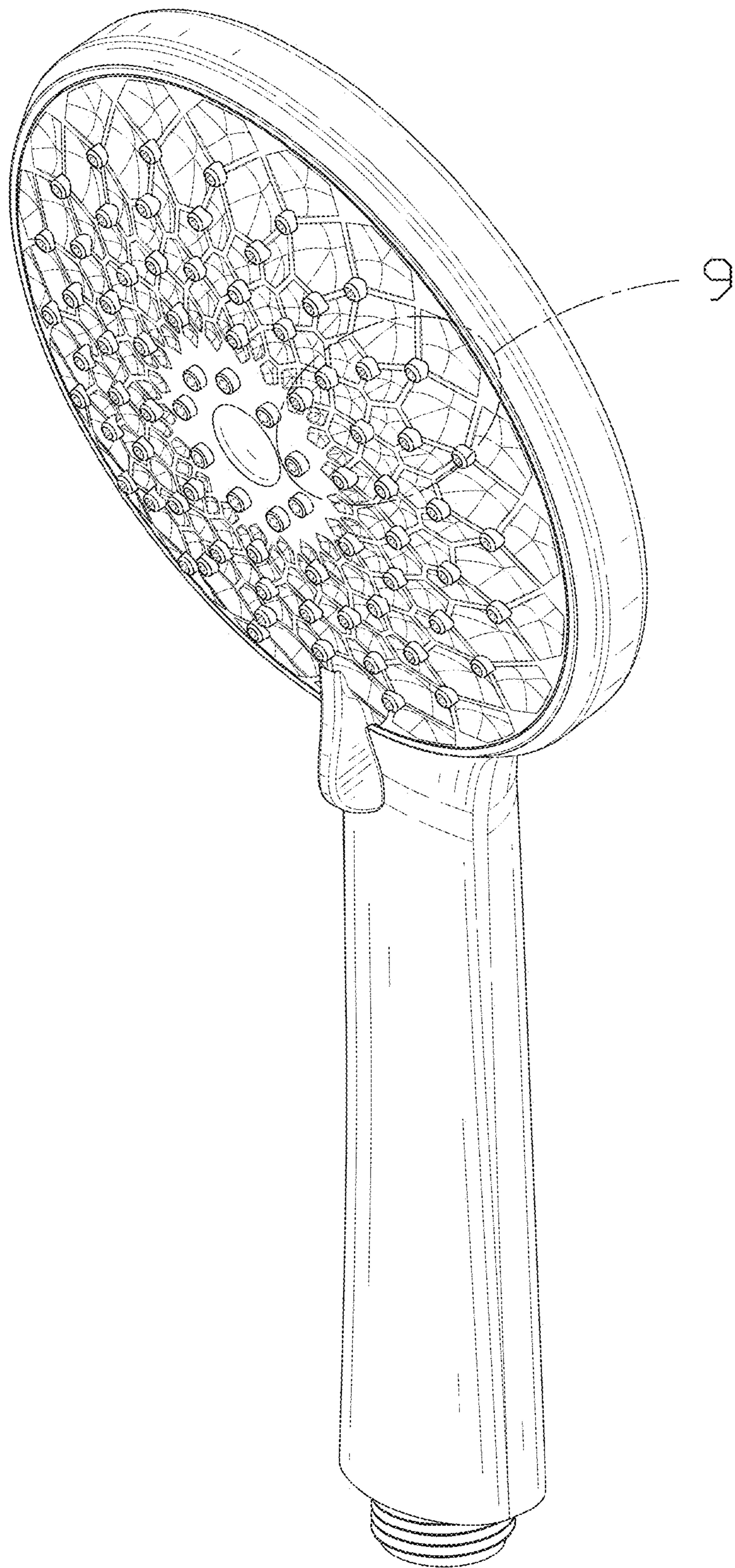


FIG. 1

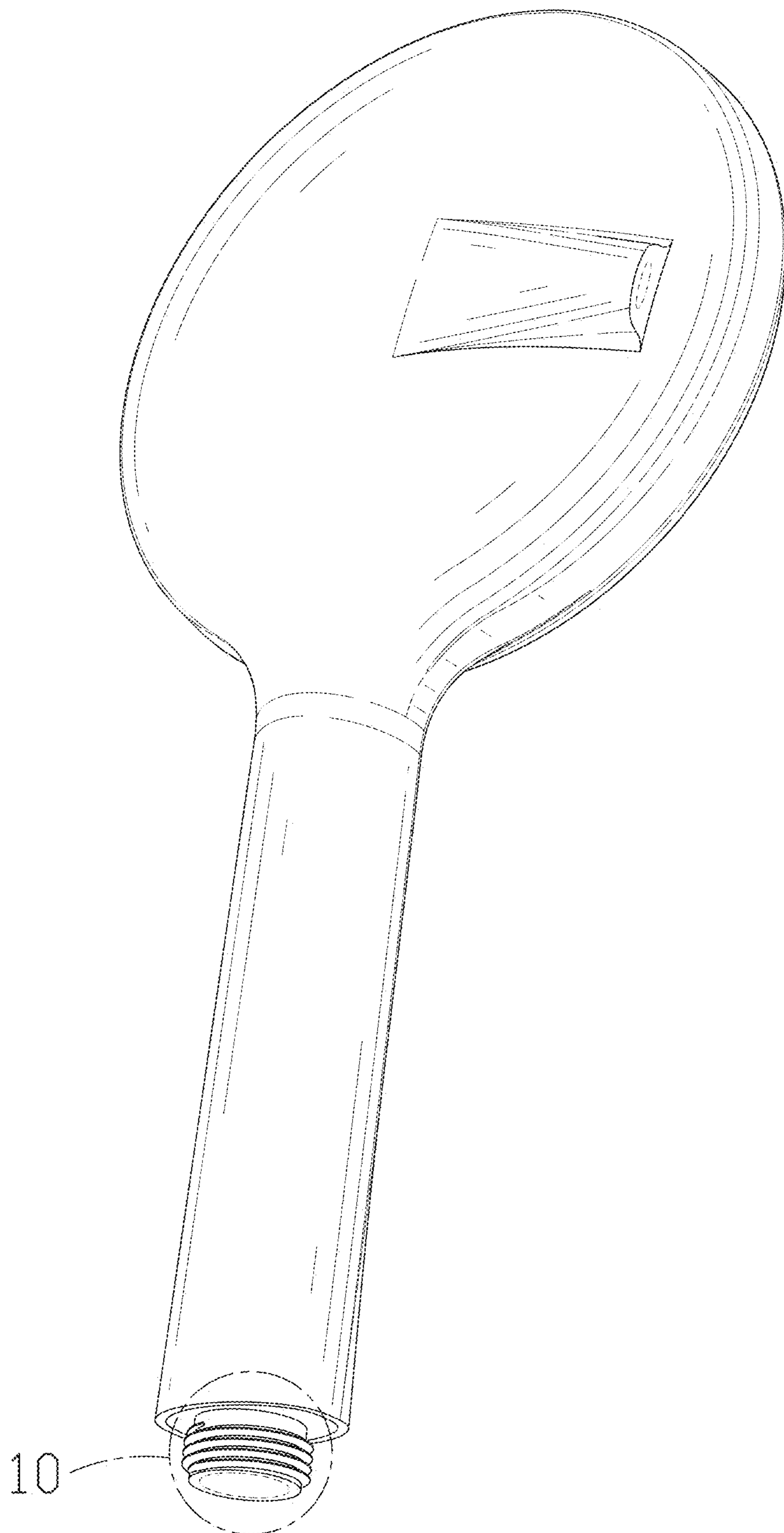


FIG. 2

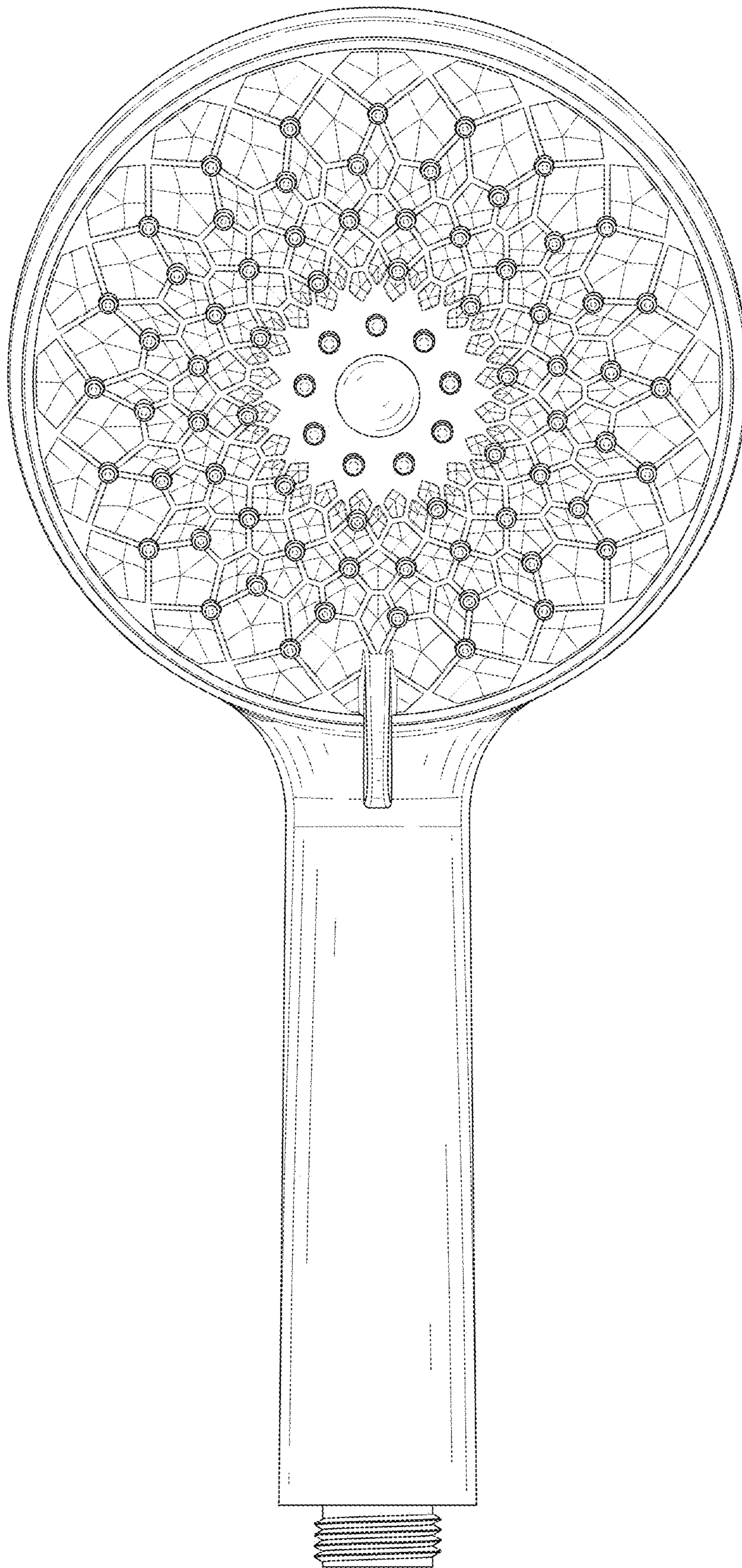


FIG. 3

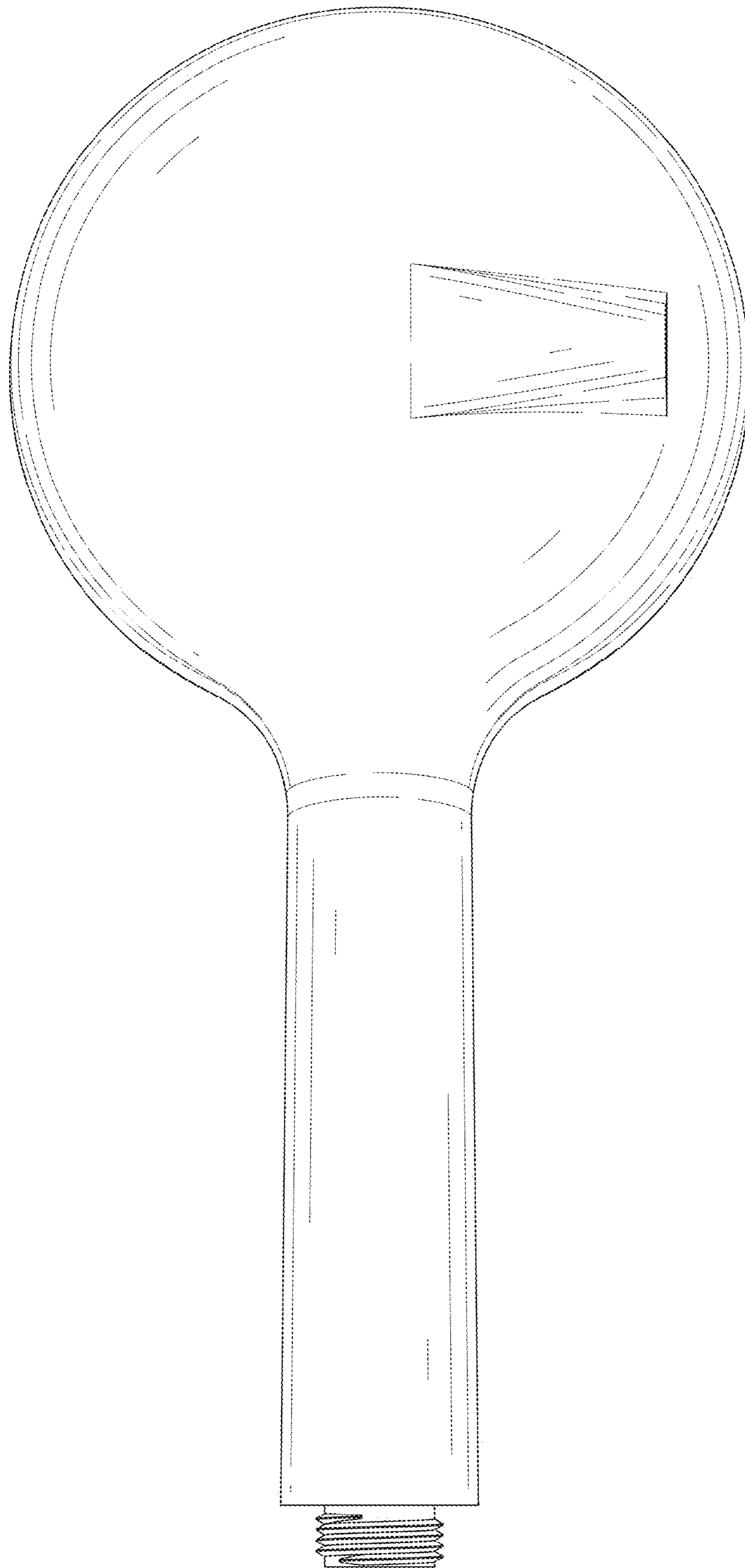


FIG. 4

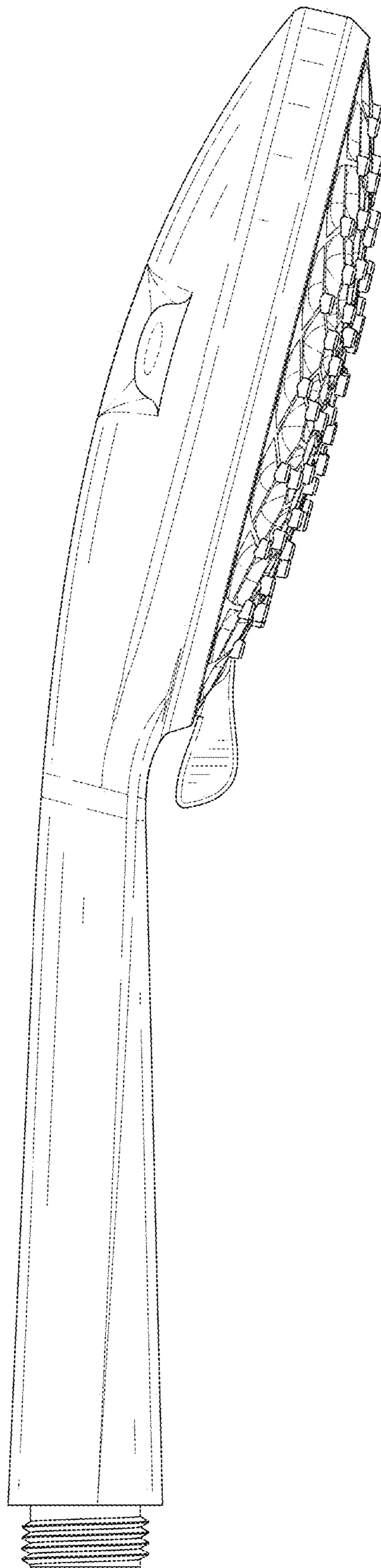


FIG. 5

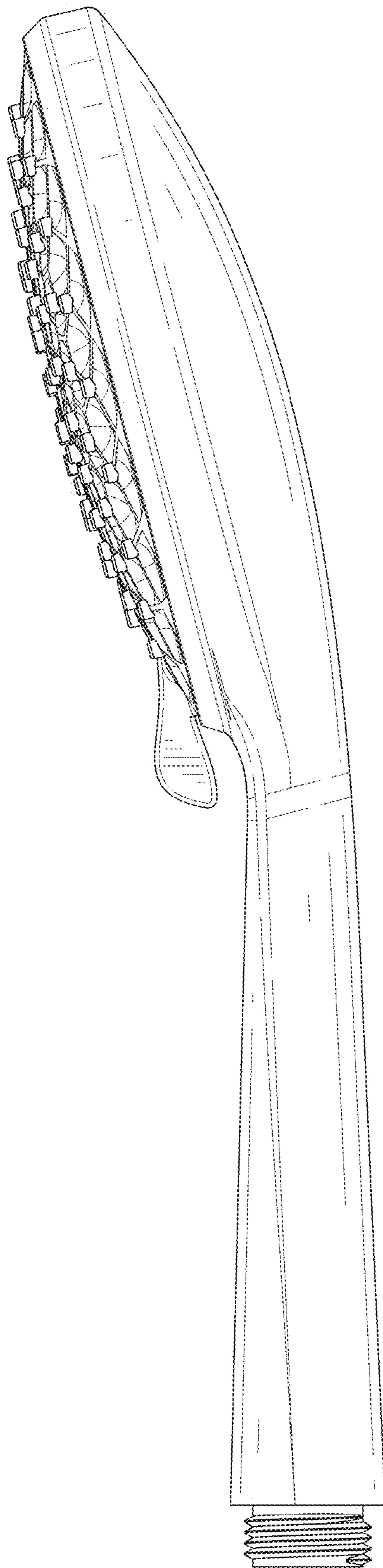


FIG. 6

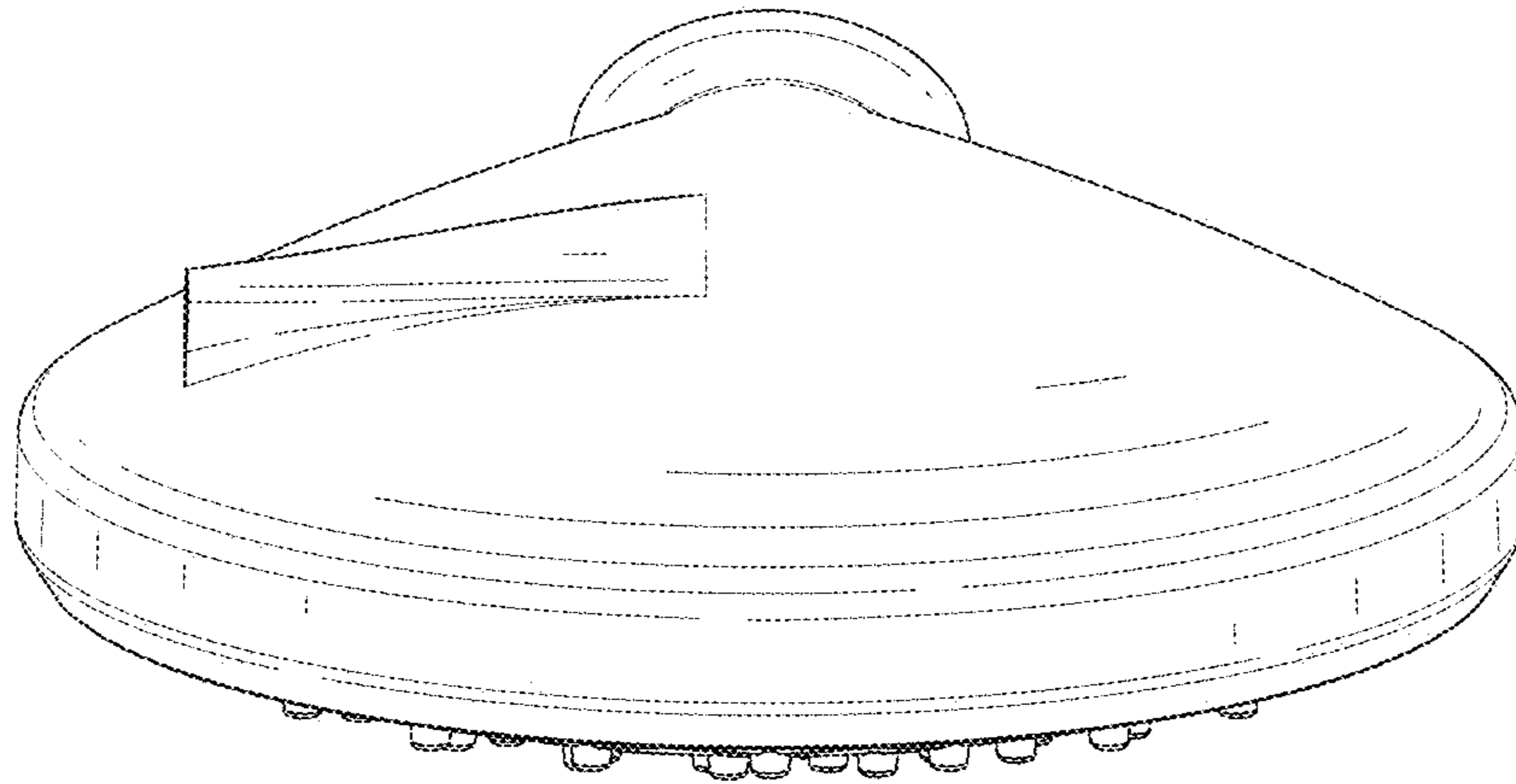


FIG. 7

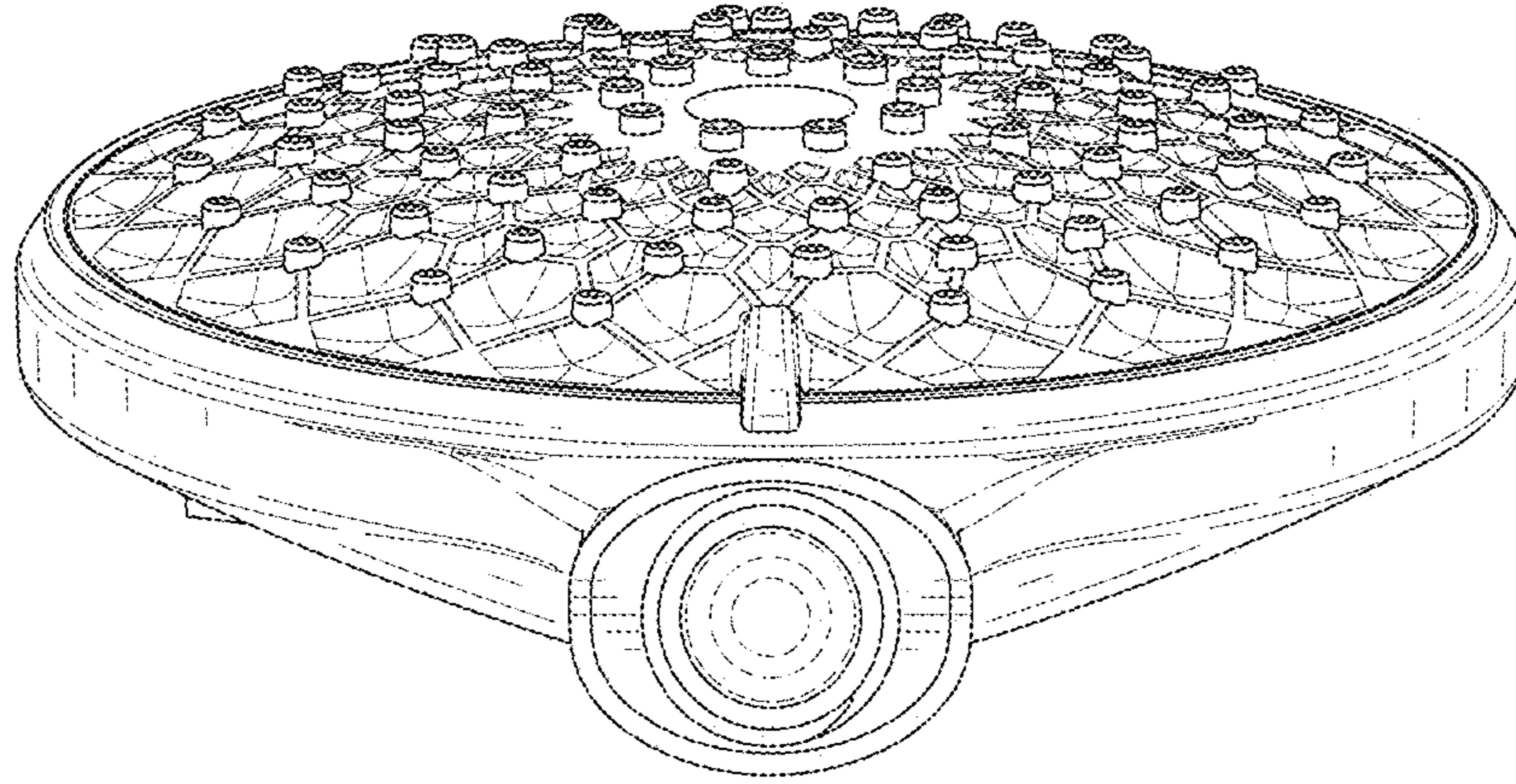


FIG. 8

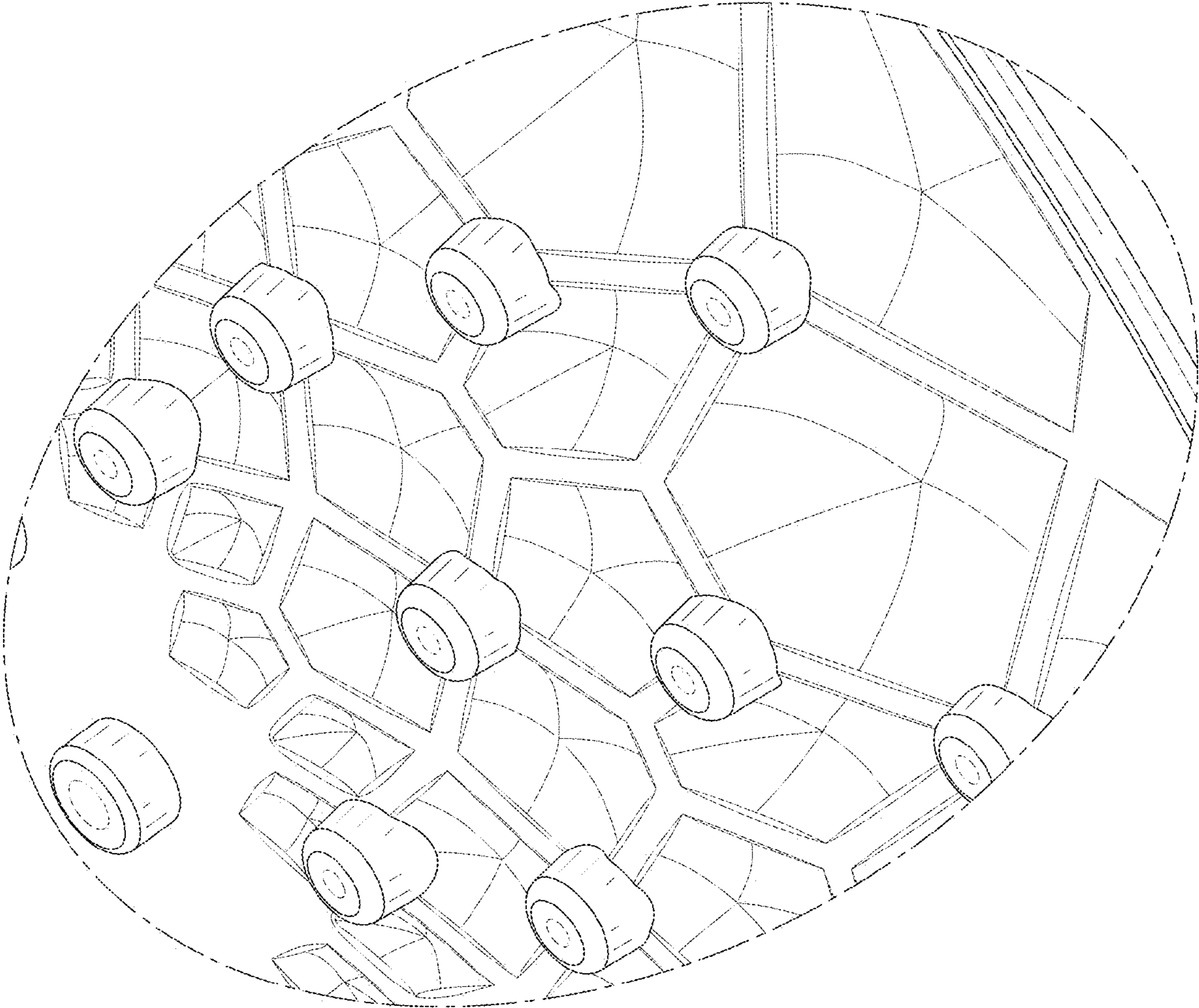


FIG. 9

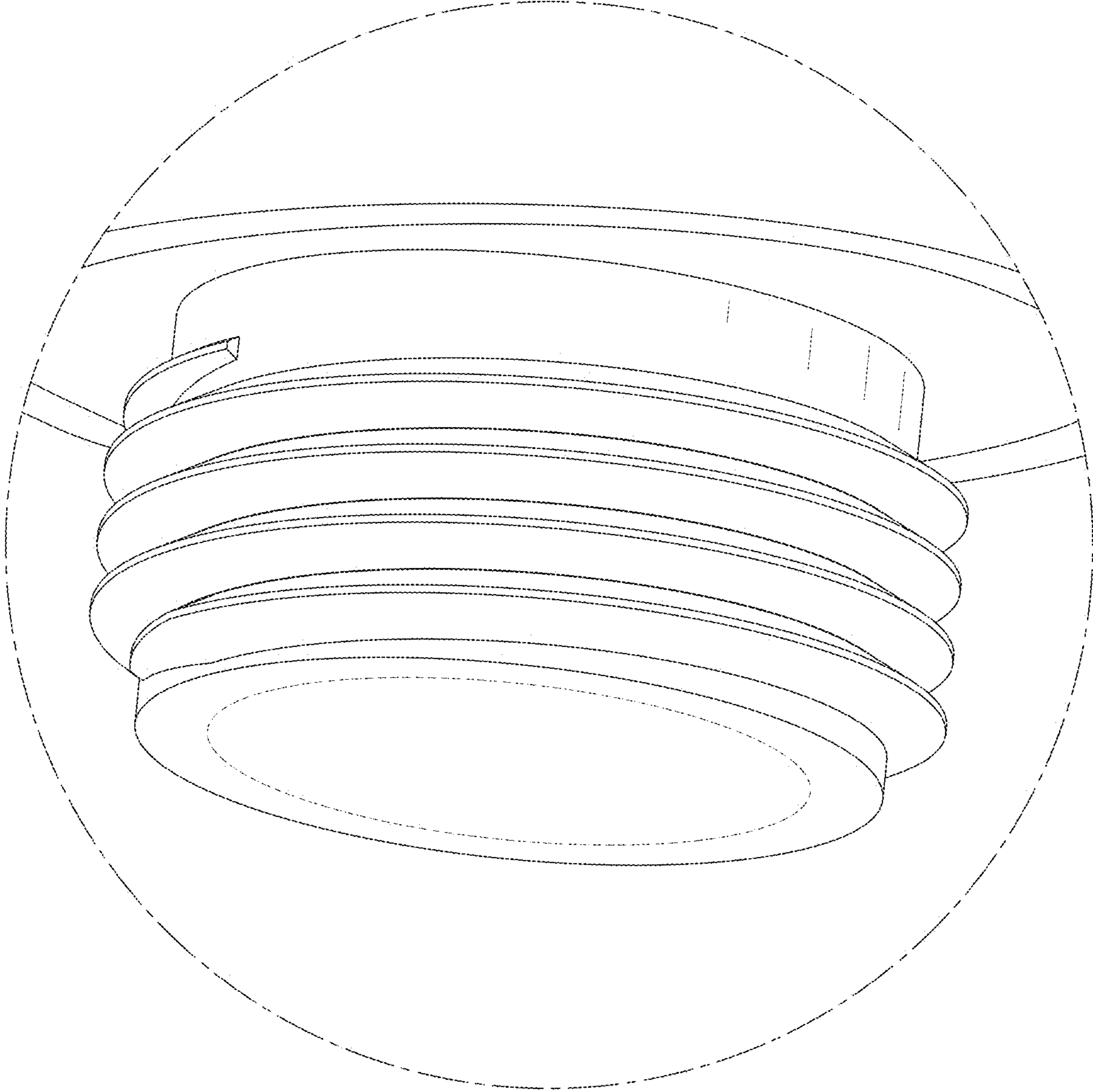


FIG. 10