



US00D956175S

(12) **United States Design Patent**  
**Fore et al.**

(10) **Patent No.:** **US D956,175 S**  
(45) **Date of Patent:** **\*\* Jun. 28, 2022**

(54) **ACTUATOR ORIFICE**  
(71) Applicant: **PRECISION VALVE CORPORATION**, Greenville, SC (US)  
(72) Inventors: **John B. Fore**, Travelers Rest, SC (US);  
**Michael P. Downey**, Greer, SC (US);  
**Matthew L. Brett**, Toronto (CA)  
(73) Assignee: **Precision Valve Corporation**, Greenville, SC (US)

10,155,232 B2 \* 12/2018 Hartranft ..... B65D 83/753  
D851,727 S \* 6/2019 Krombein ..... D23/213  
D889,599 S \* 7/2020 Moldthan ..... D23/213  
D912,201 S \* 3/2021 Arenson ..... D23/213  
11,072,488 B1 \* 7/2021 Goodman ..... B05B 15/14  
D931,409 S \* 9/2021 Stanca ..... D23/213  
D937,384 S \* 11/2021 Khubani ..... D23/213  
D943,061 S \* 2/2022 McIntyre, II ..... F02C 7/222  
D23/214  
2010/0059551 A1 \* 3/2010 Tomkins ..... B65D 83/206  
222/402.15  
2011/0000980 A1 \* 1/2011 Yamamoto ..... B65D 83/206  
239/337

(\*\*) Term: **15 Years**

(Continued)

(21) Appl. No.: **29/758,015**  
(22) Filed: **Nov. 11, 2020**  
(51) **LOC (13) Cl.** ..... **23-01**  
(52) **U.S. Cl.**  
USPC ..... **D23/213**  
(58) **Field of Classification Search**  
USPC ..... D23/207, 213, 214, 215, 223, 224, 225,  
D23/226, 229, 230; D9/685  
CPC ..... A61H 9/0021; A61H 33/00; B05B 1/00;  
B05B 1/14; B05B 1/185; B05B 1/08;  
B05B 1/02; B05B 1/26; B05B 12/002;  
B05B 1/18; B05B 9/01  
See application file for complete search history.

OTHER PUBLICATIONS

EBI Cosmetic Sprayers of different styles., Apr. 28, 2020, youtube.com, Mar. 30, 2022, URL: [https://www.youtube.com/watch?v=O-Q18\\_IJwwl](https://www.youtube.com/watch?v=O-Q18_IJwwl) (Year: 2020).\*

(Continued)

*Primary Examiner* — Jack Reickel  
*Assistant Examiner* — Keith J Wilson  
(74) *Attorney, Agent, or Firm* — Ohlandt, Greeley,  
Ruggiero & Perle, L.L.P.

(57) **CLAIM**

We claim the ornamental design for the actuator orifice, as shown and described.

(56) **References Cited**

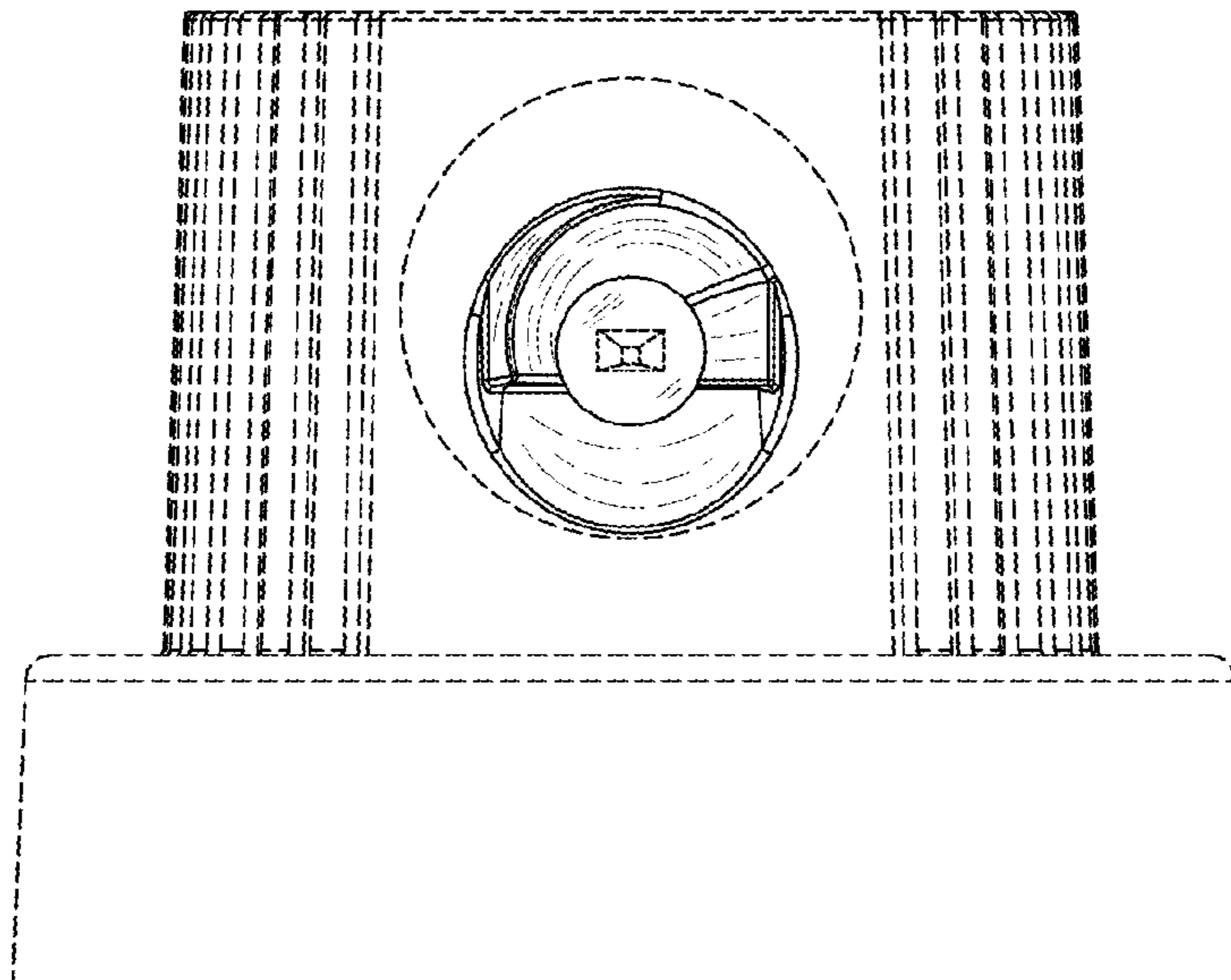
**DESCRIPTION**

U.S. PATENT DOCUMENTS

5,161,716 A \* 11/1992 Knickerbocker ... B05B 11/0029  
222/153.1  
5,878,959 A \* 3/1999 Smolen, Jr. .... B05B 11/0005  
239/121  
7,780,098 B2 \* 8/2010 Foster ..... B05B 1/042  
239/394  
D712,009 S \* 8/2014 Gopalan ..... D23/213  
D749,692 S \* 2/2016 Shawver ..... D23/213  
D755,923 S \* 5/2016 Kosaka ..... D23/213  
D755,924 S \* 5/2016 Kosaka ..... D23/213

FIG. 1 is a front view of an actuator showing our design; FIG. 2 is a front-top perspective view thereof; FIG. 3 is a front-bottom perspective view thereof; FIG. 4 is a front left perspective view thereof, wherein the front right perspective view thereof is a mirror image; and, FIG. 5 is a bottom view thereof. The broken lines in the drawings represent portions of the actuator button that form no part of the claimed design.

**1 Claim, 5 Drawing Sheets**



(56)

**References Cited**

U.S. PATENT DOCUMENTS

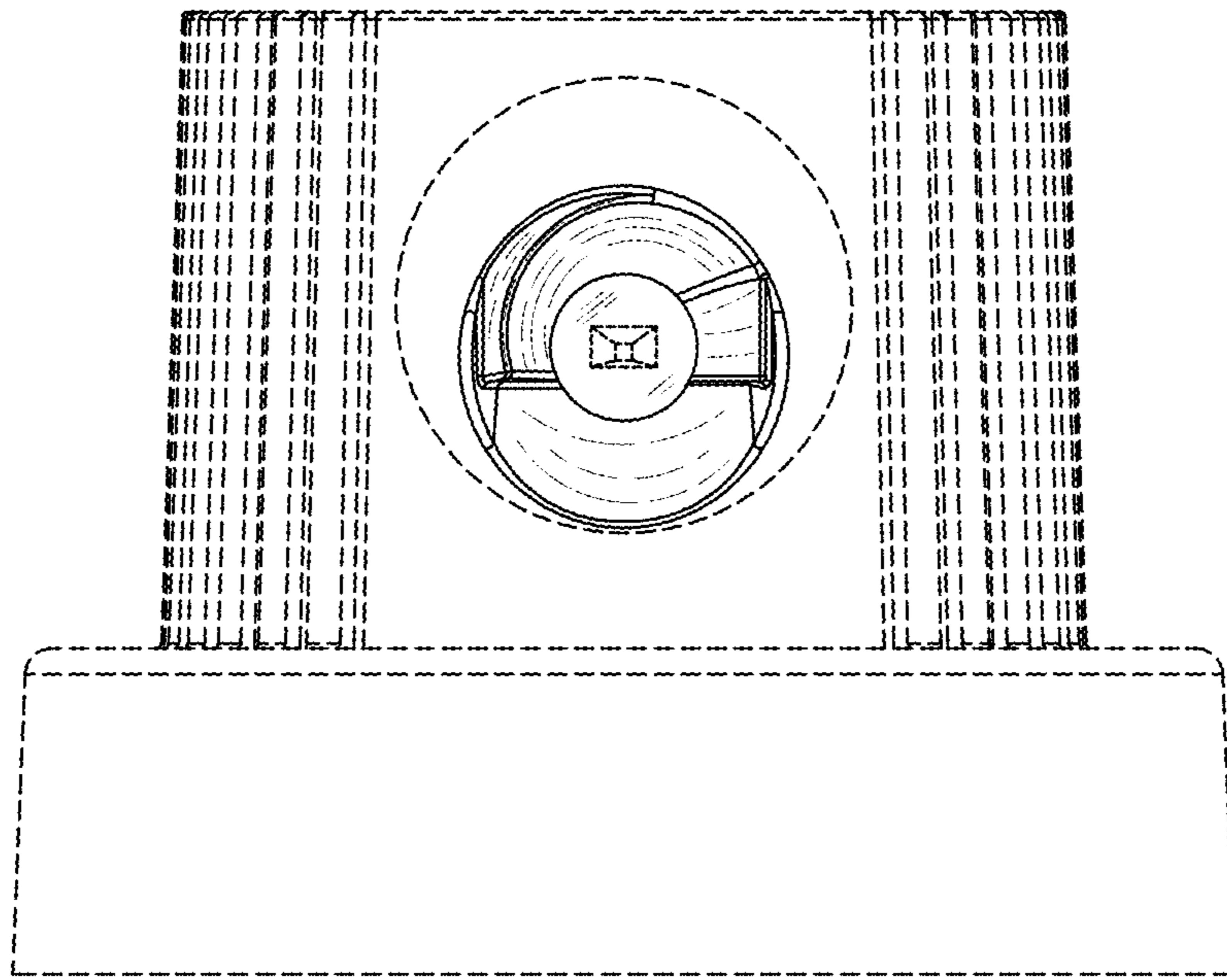
2017/0245697 A1\* 8/2017 Kurchev ..... A47K 5/1217  
2018/0222663 A1\* 8/2018 Fishman ..... C09K 11/07  
2020/0139385 A1\* 5/2020 Hartranft ..... B65D 83/753

OTHER PUBLICATIONS

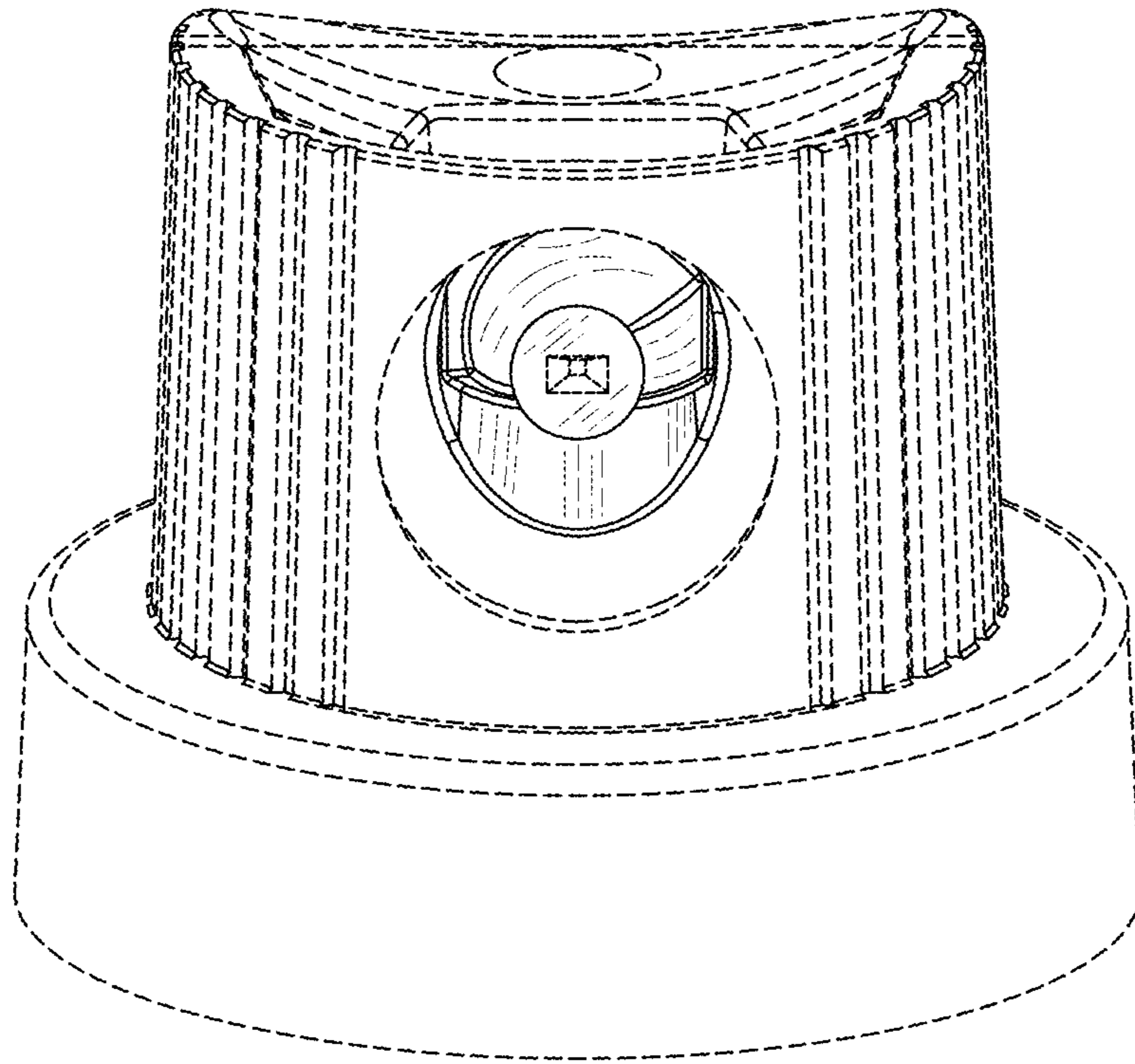
Jincheng aerosol valve company aerosol valve, metered valve actuator, Sep. 22, 2020, youtube.com, Mar. 30, 2022, URL: <https://www.youtube.com/watch?v=15uUBhnqLGM> (Year: 2020).\*

Montana 15 Master Cap Set, Jan. 23, 2014, amazon.ca, Mar. 30, 2022, URL: <https://www.amazon.ca/Montana-15-Master-Cap-Set/dp/B00HSO64K6/> (Year: 2014).\*

\* cited by examiner



*FIG. 1*



*FIG. 2*

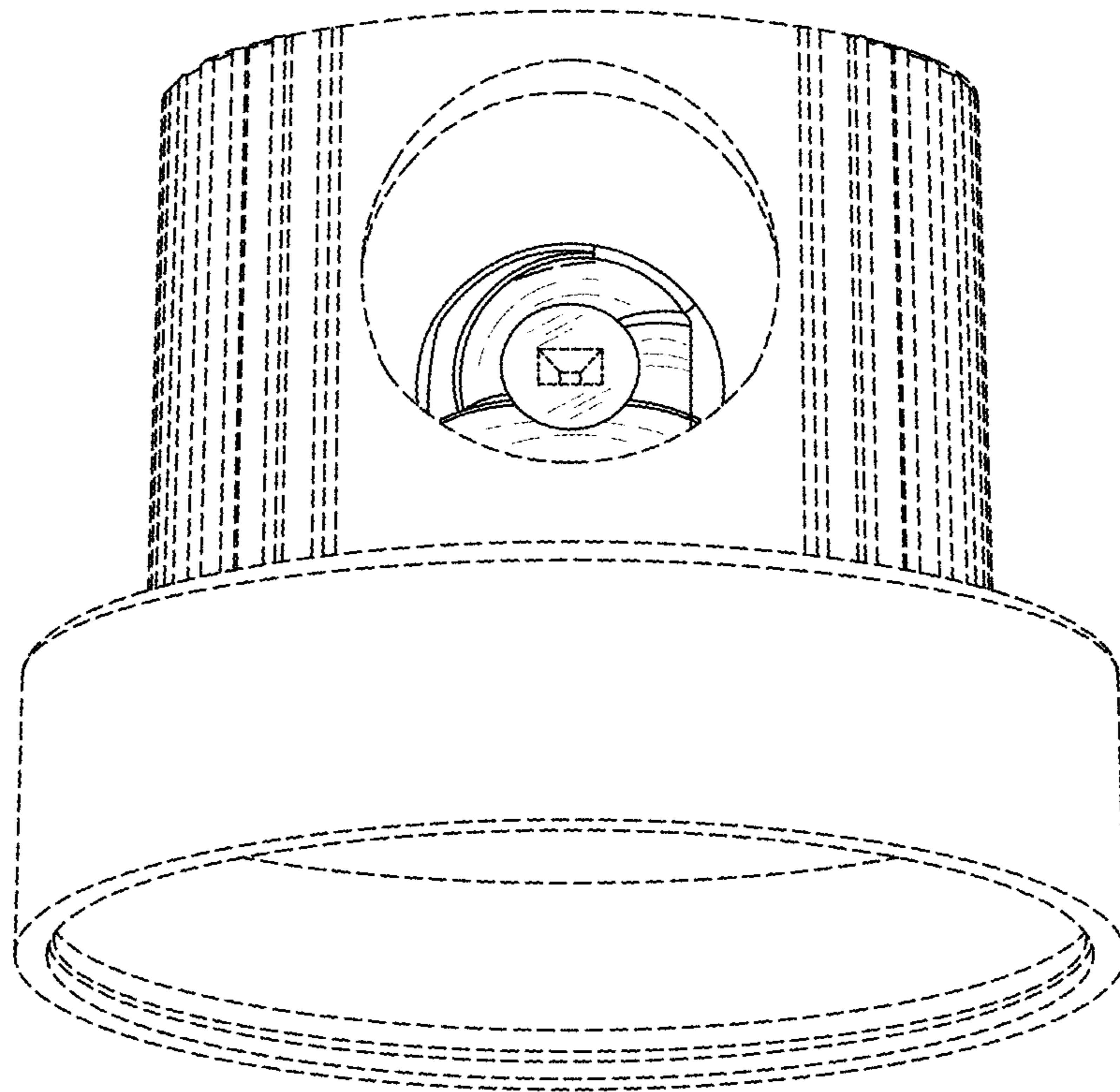


FIG. 3



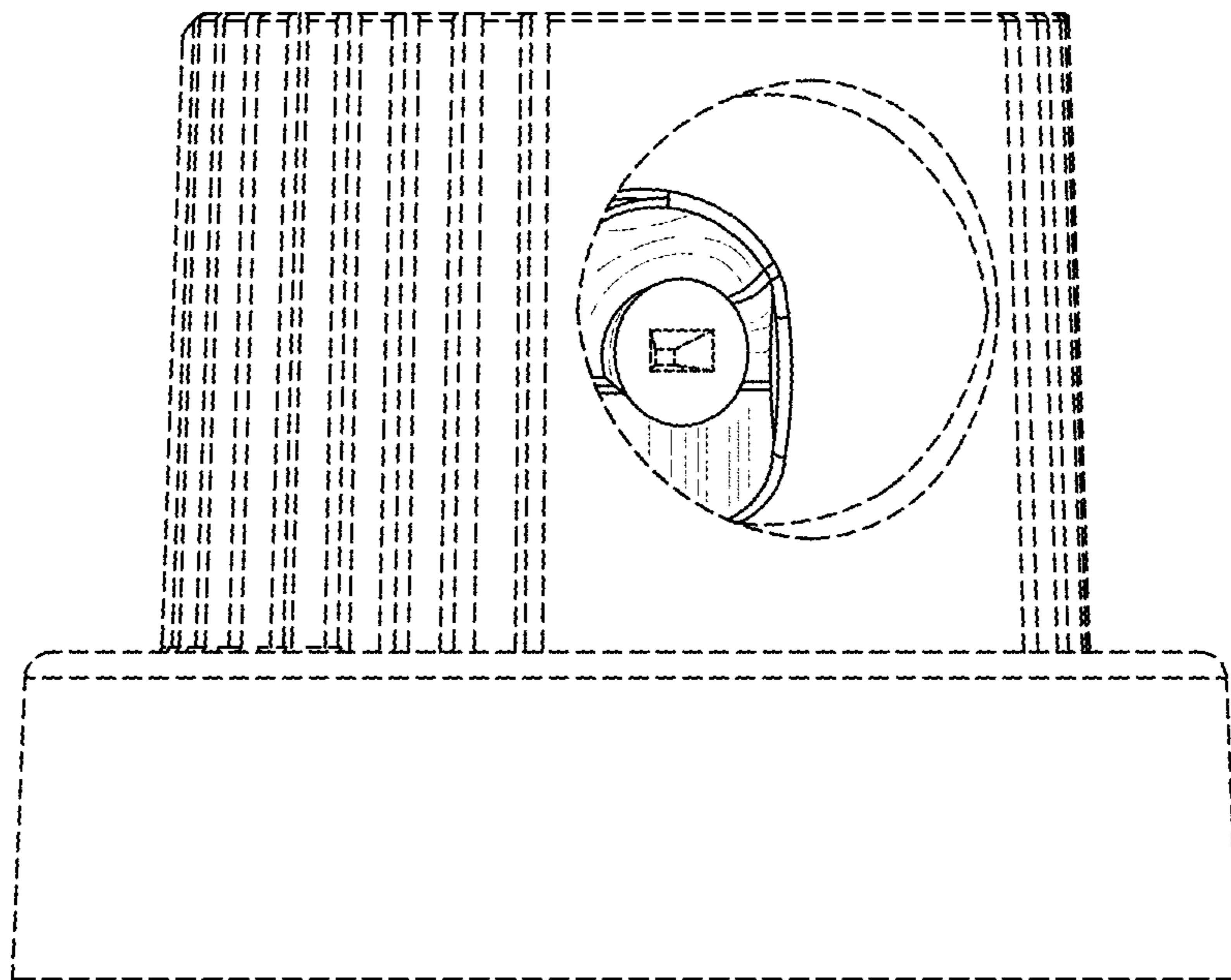


FIG. 4

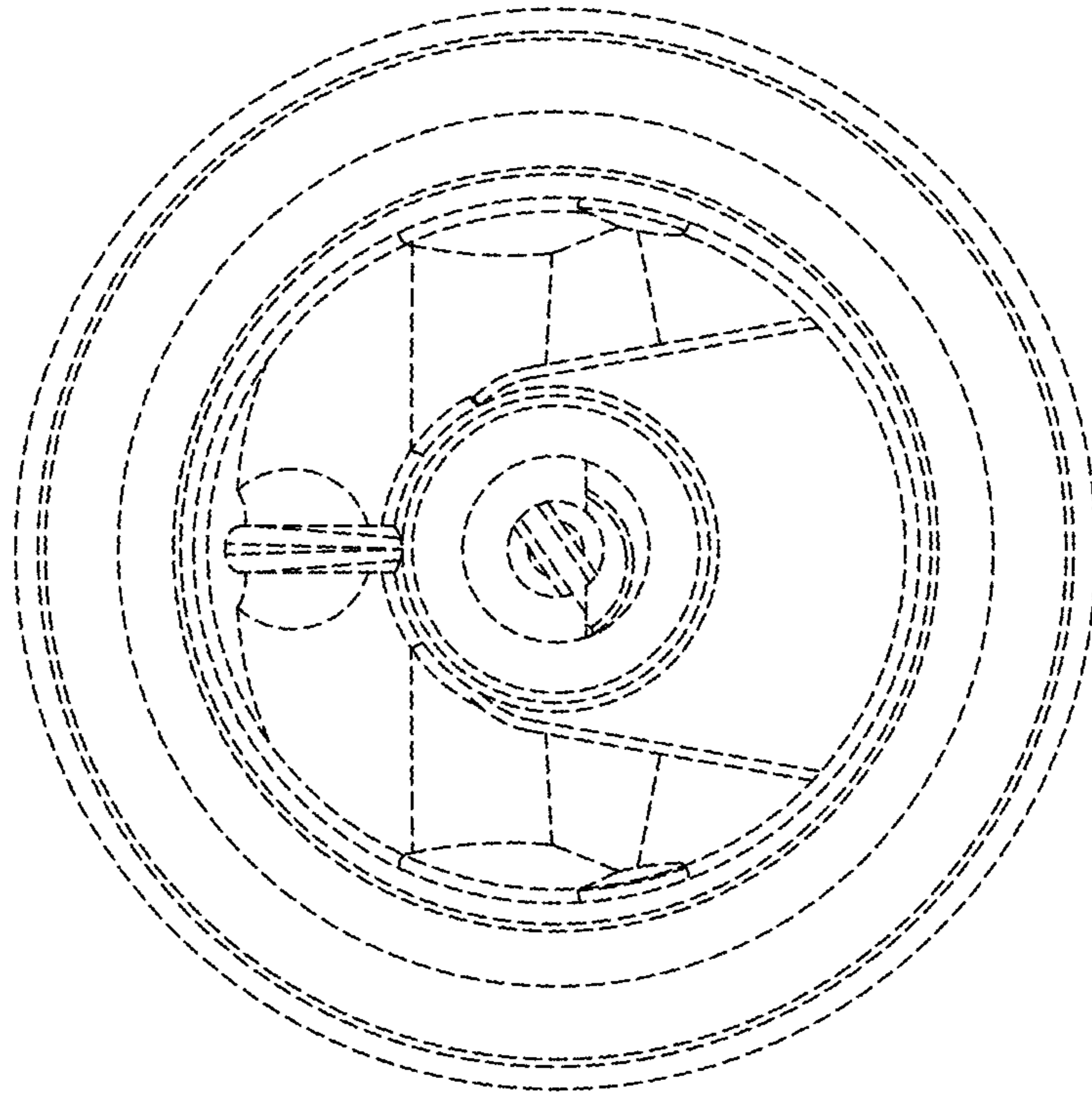


FIG. 5