



US00D956173S

(12) **United States Design Patent**
Spengler et al.

(10) **Patent No.:** **US D956,173 S**
(45) **Date of Patent:** **** Jun. 28, 2022**

(54) **JIG WITH BLADE ATTACHMENT**

(71) Applicant: **Pure Fishing, Inc.**, Spirit Lake, IA
(US)

(72) Inventors: **Daniel Eric Spengler**, Milford, IA
(US); **Keith Lane Ostrum**, Spirit Lake,
IA (US); **Kelli Marie Lange**, Lake
Park, IA (US); **Russ Vanderhoof**, Irmo,
SC (US)

(73) Assignee: **Pure Fishing, Inc.**, Spirit Lake, IA
(US)

(**) Term: **15 Years**

(21) Appl. No.: **29/750,573**

(22) Filed: **Sep. 15, 2020**

(51) **LOC (13) Cl.** **22-05**

(52) **U.S. Cl.**
USPC **D22/144**

(58) **Field of Classification Search**
USPC D22/126, 128–129, 144
CPC A01K 83/00; A01K 85/00; A01K 85/01;
A01K 85/02; A01K 85/005; A01K 85/16;
A01K 91/065; A01K 97/10; A01M 31/00;
A01M 31/06

See application file for complete search history.

(56) **References Cited**

U.S. PATENT DOCUMENTS

D215,090 S *	9/1969	Bruckner	D22/126
D299,944 S *	2/1989	Haavig	D22/126
5,081,786 A *	1/1992	Cobb	A01K 85/00 43/44.89
D507,624 S *	7/2005	Shastid	D22/144
D586,423 S *	2/2009	Evans	D22/144
D709,162 S *	7/2014	Yelton	D22/144
D769,405 S *	10/2016	Johnson	D22/144
D779,029 S *	2/2017	Burkwhat	D22/132
D857,154 S *	8/2019	Robinson	D22/144

D888,884 S *	6/2020	Hagopian	D22/144
2008/0236022 A1 *	10/2008	Harrell	A01K 85/00 43/42.42
2013/0019517 A1 *	1/2013	Lorentz	A01K 85/00 29/527.3

OTHER PUBLICATIONS

https://www.amazon.com/Fishing-Flipping-Saltwater-Crappie-Trailers/dp/B09H3JSL9B/ref=sr_1_5?crid=YKPY70U9XCQG&keywords=6+piece+fishing+lures+flipping+bladed+jigs&qid=1648826875&sprefix=6+pieces+fishing+lures%2Caps%2C56&sr=8-5 (Year: 2021).*

* cited by examiner

Primary Examiner — Catherine R Oliver-Garcia
(74) *Attorney, Agent, or Firm* — Husch Blackwell LLP

(57) **CLAIM**

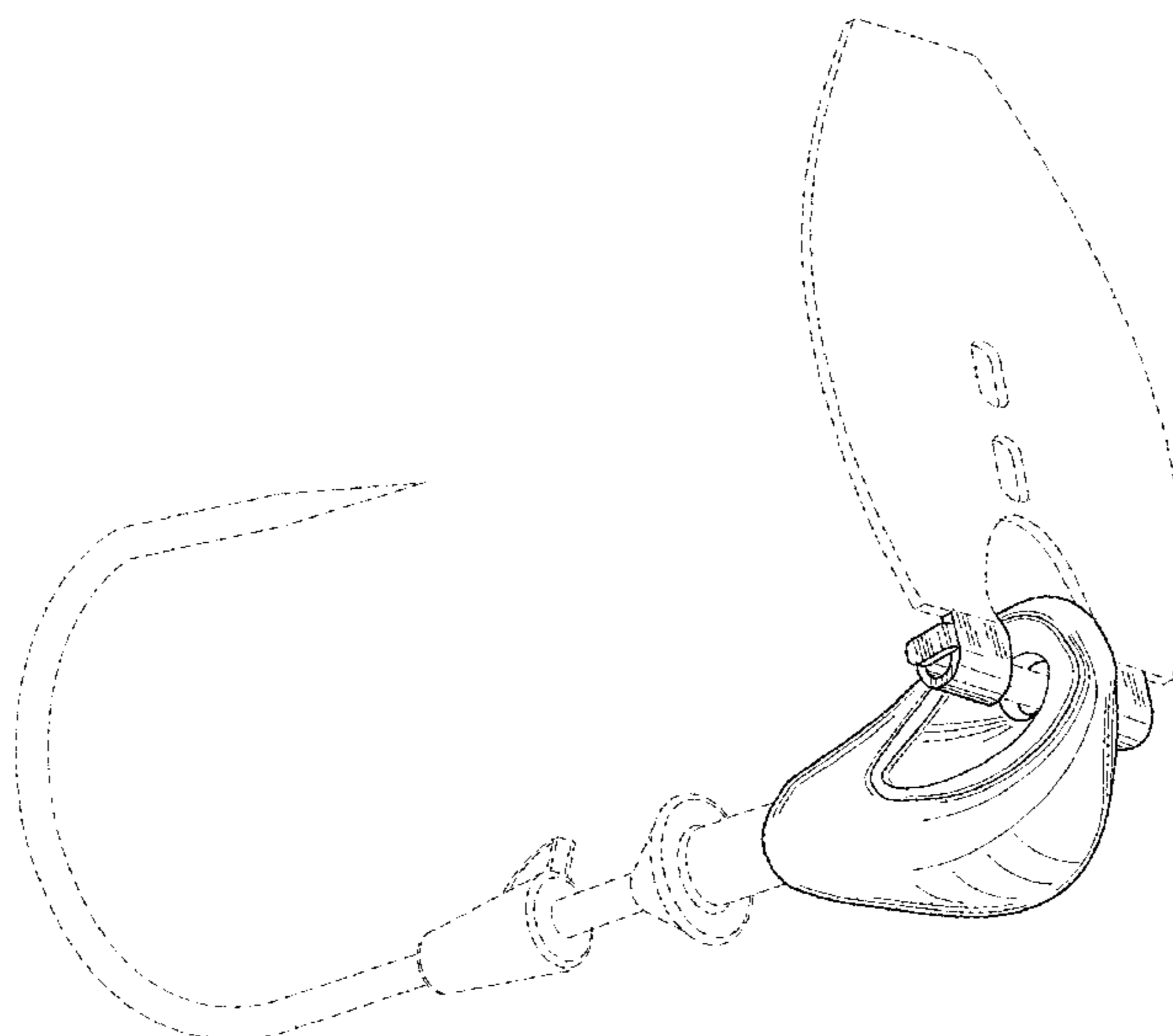
The ornamental design for a jig with blade attachment, as shown and described.

DESCRIPTION

FIG. 1 is a top perspective view of a jig with blade attachment showing the new design; FIG. 2 is a bottom perspective view of the jig with blade attachment of FIG. 1; FIG. 3 is a left side elevation view of the jig with blade attachment of FIG. 1; FIG. 4 is a right side elevation view of the jig with blade attachment shown in FIG. 1; FIG. 5 is a front elevation view of the jig with blade attachment shown in FIG. 1; FIG. 6 is a rear elevation view of the jig with blade attachment shown in FIG. 1; FIG. 7 is a top plan view of the jig with blade attachment shown in FIG. 1; and, FIG. 8 is a bottom plan view of the jig with blade attachment shown in FIG. 1.

The broken lines showing portions of the jig with blade attachment are included for illustrating environment only and form no part of the claimed design.

1 Claim, 7 Drawing Sheets



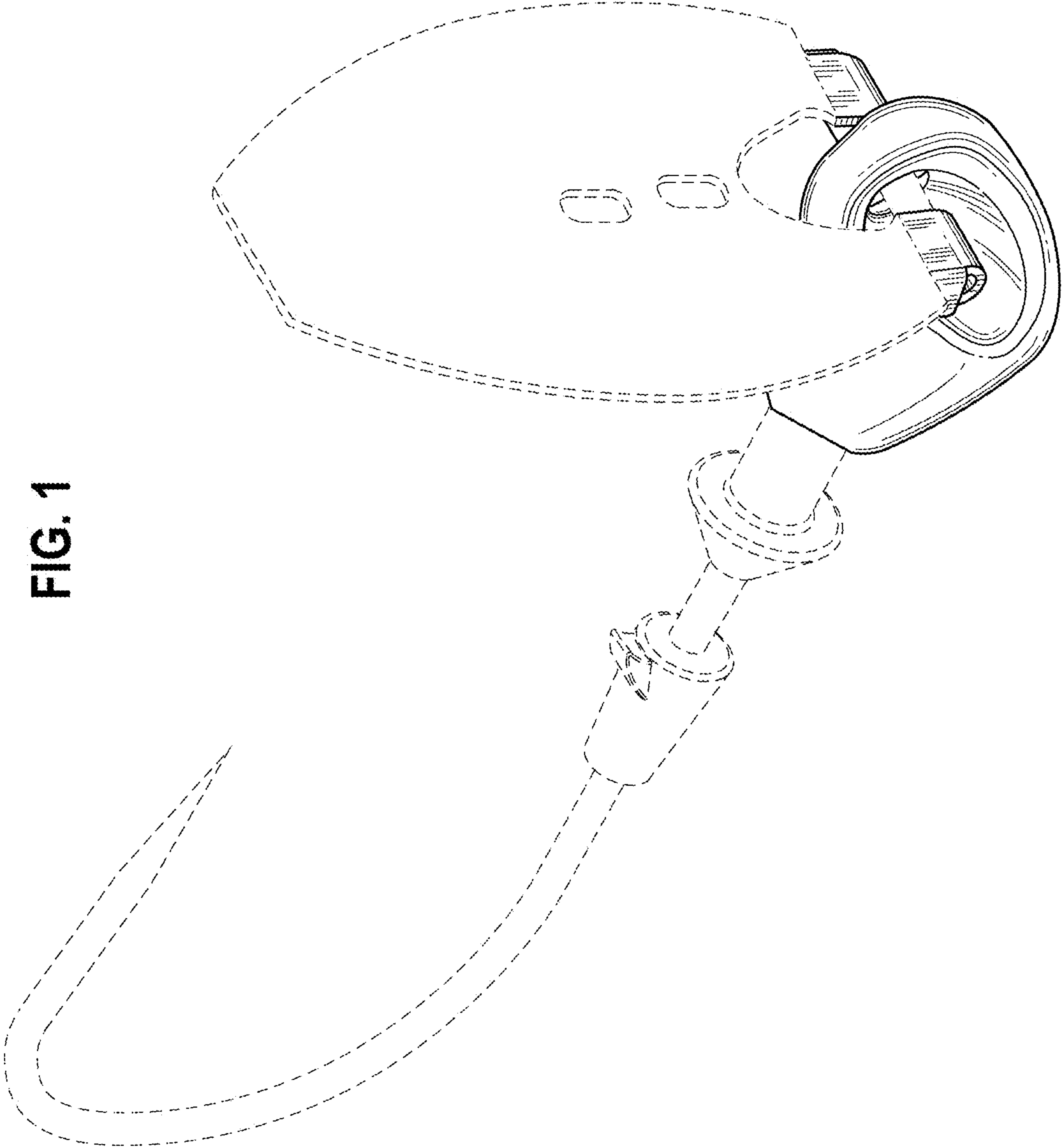


FIG. 1

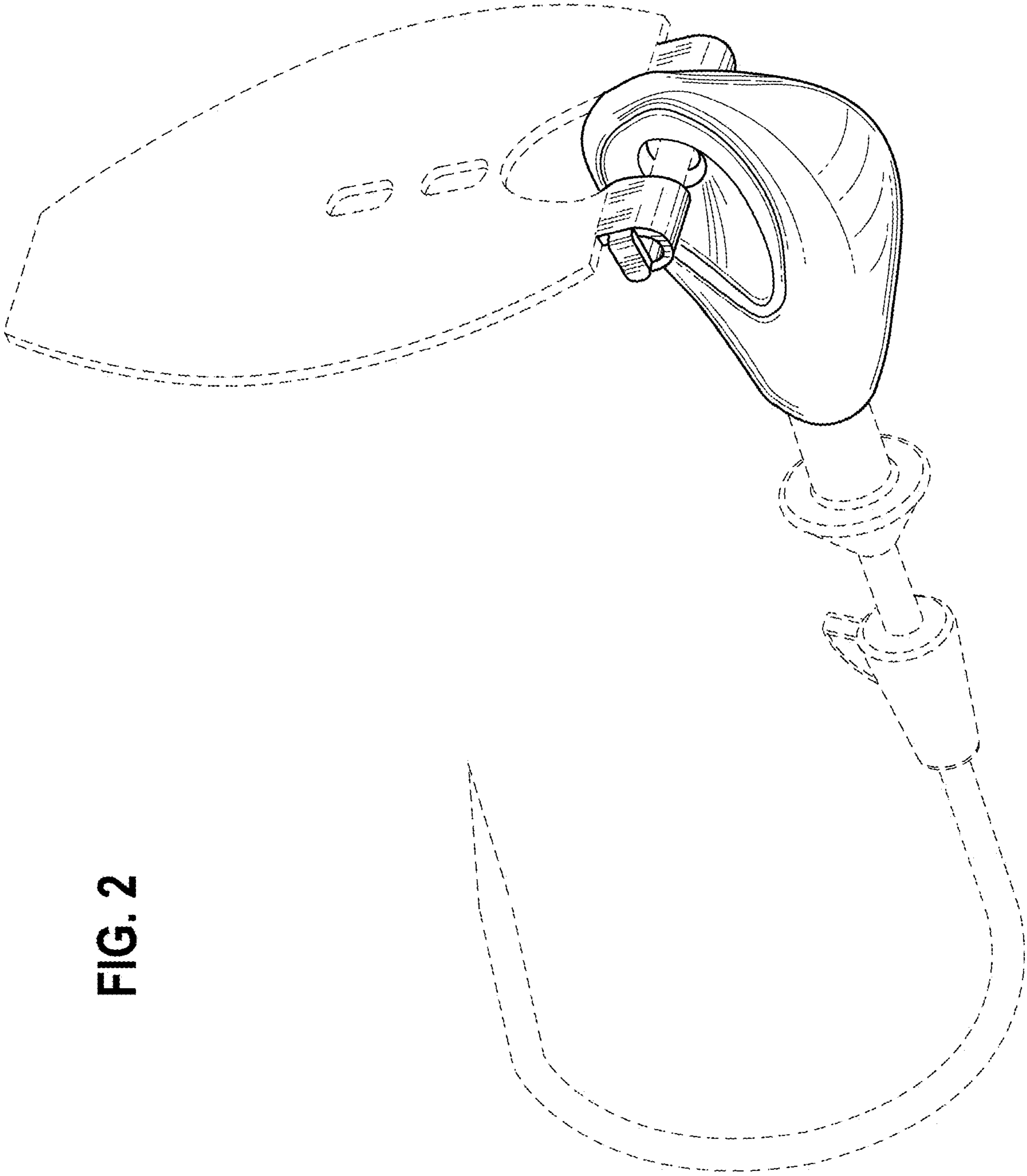
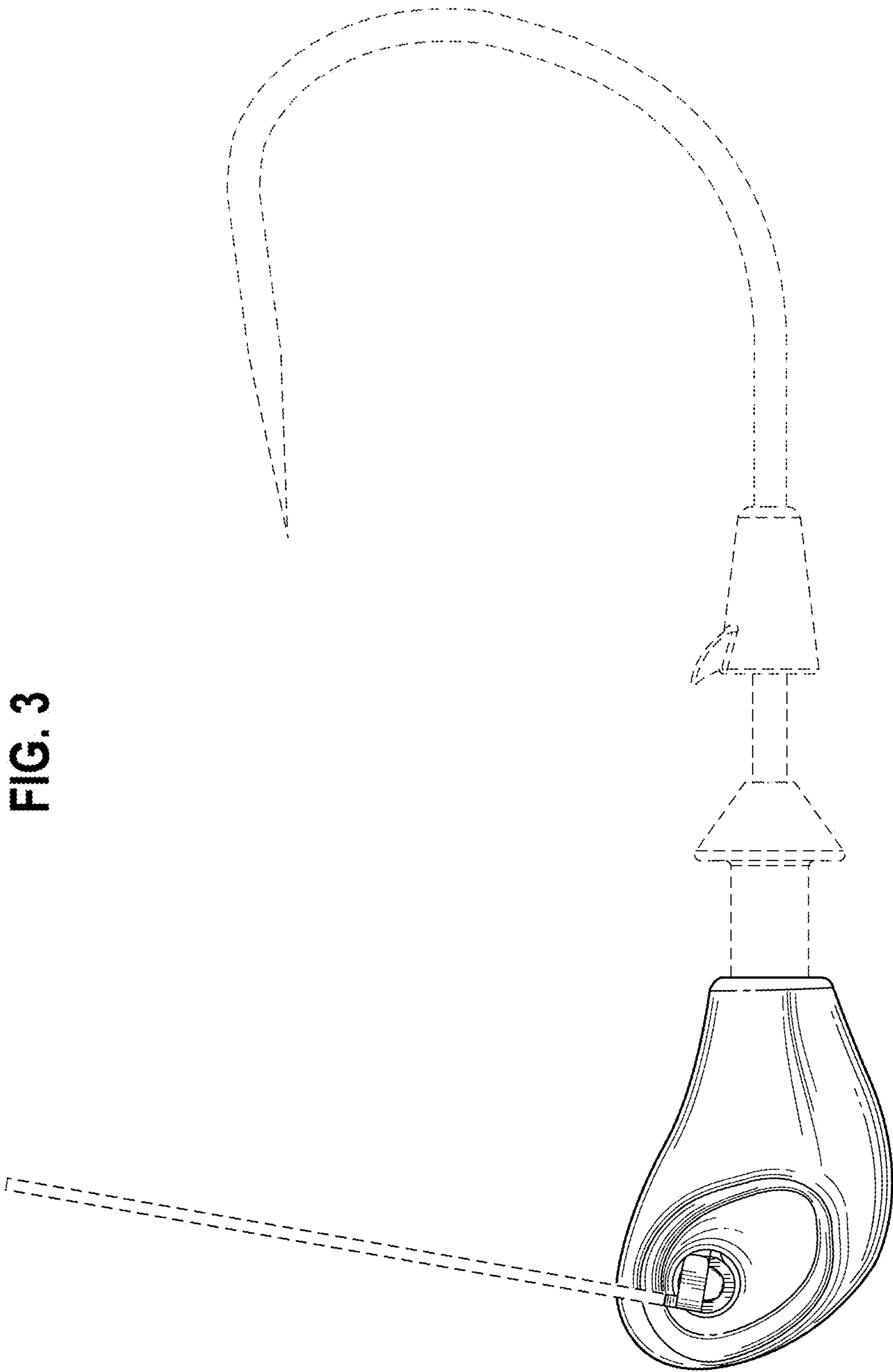


FIG. 2



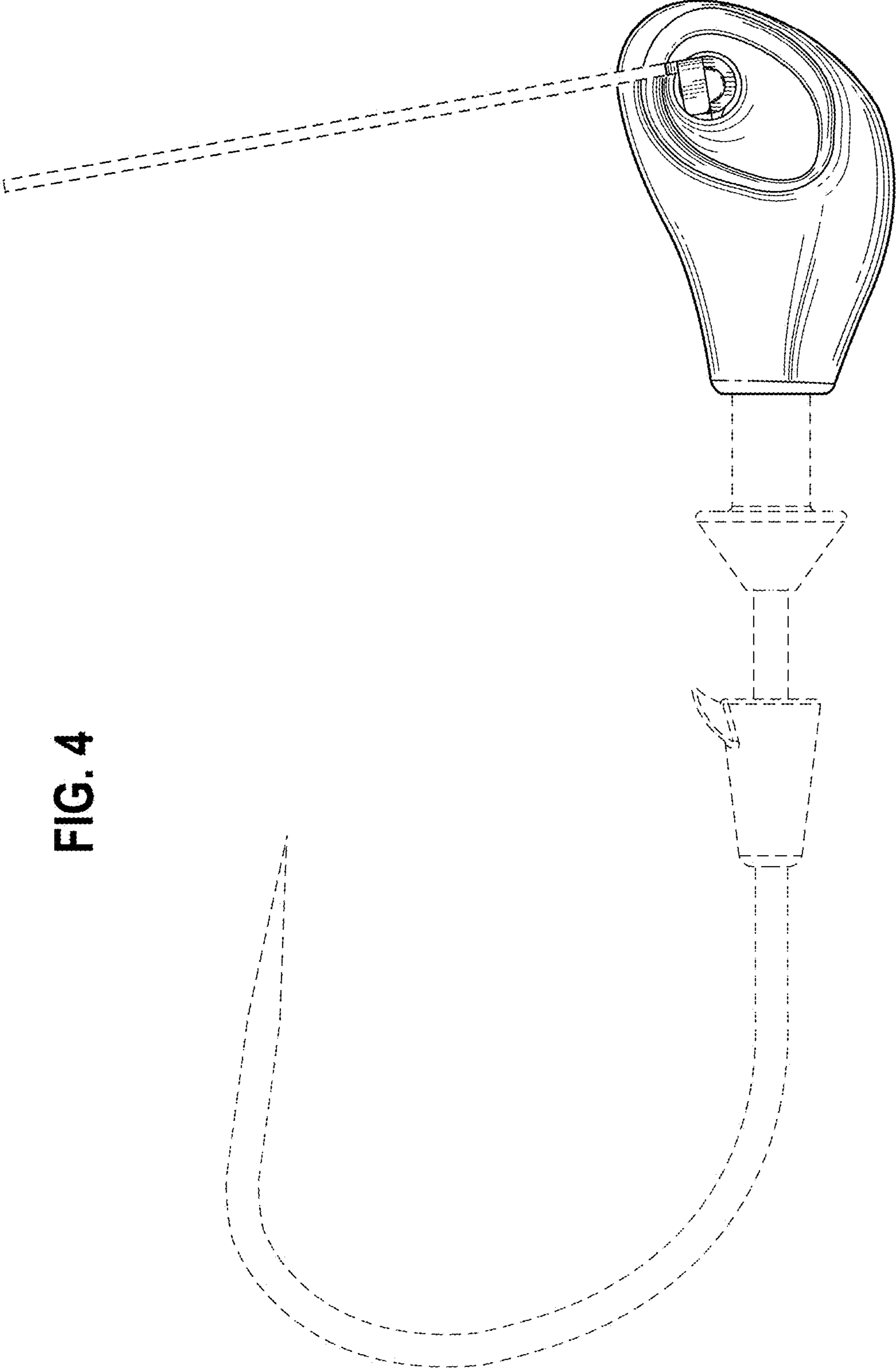


FIG. 4

FIG. 6

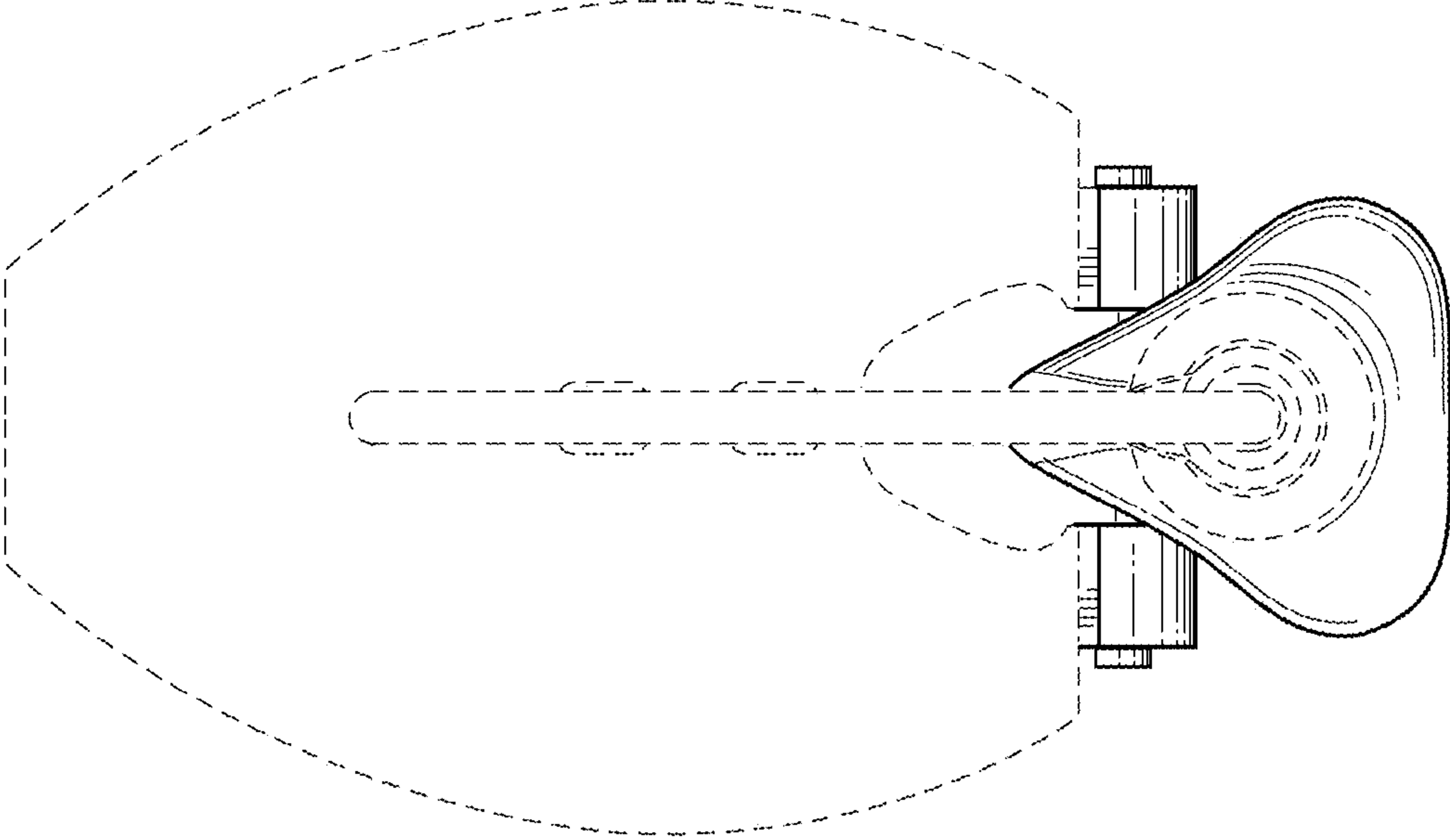


FIG. 5

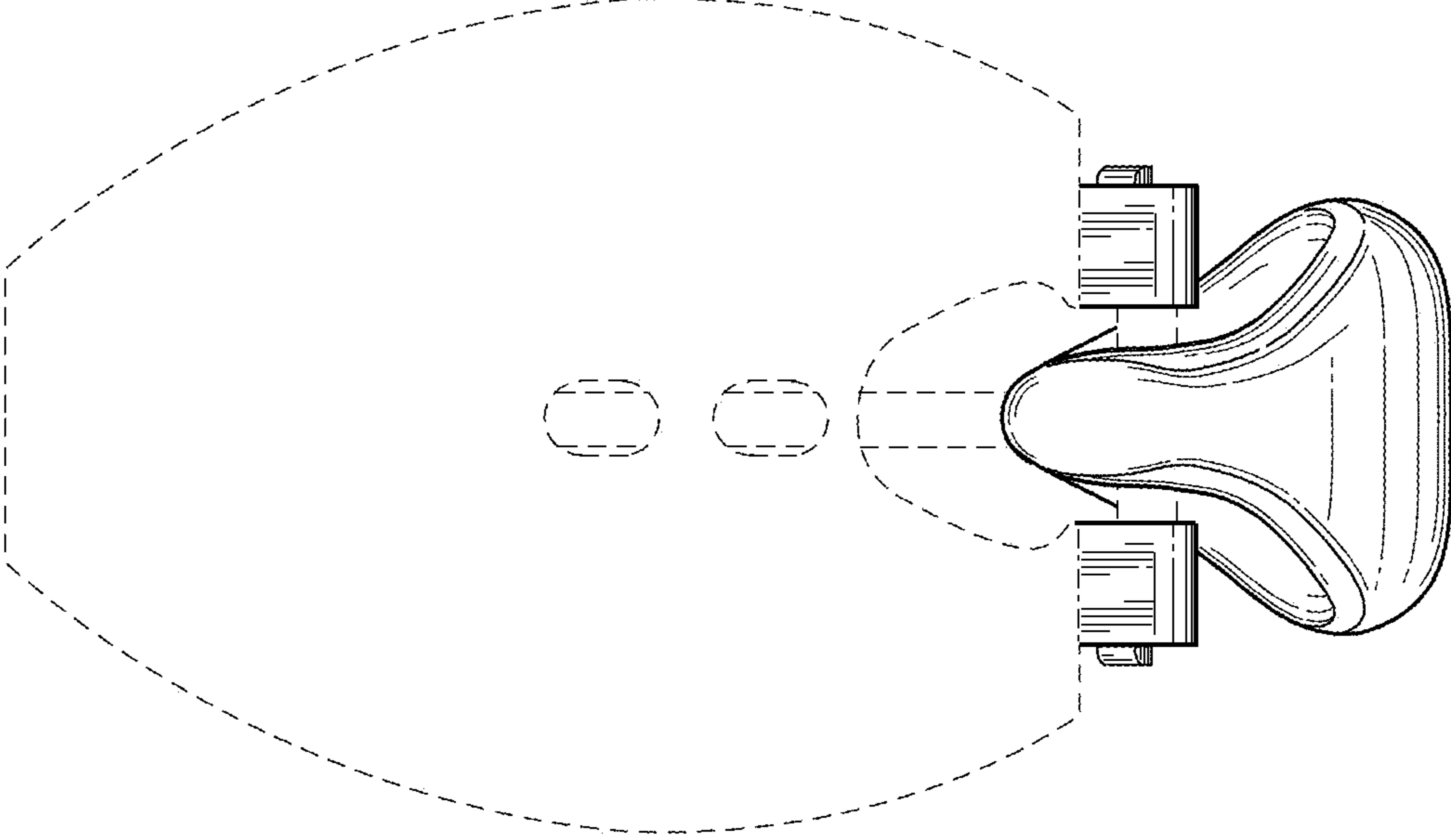
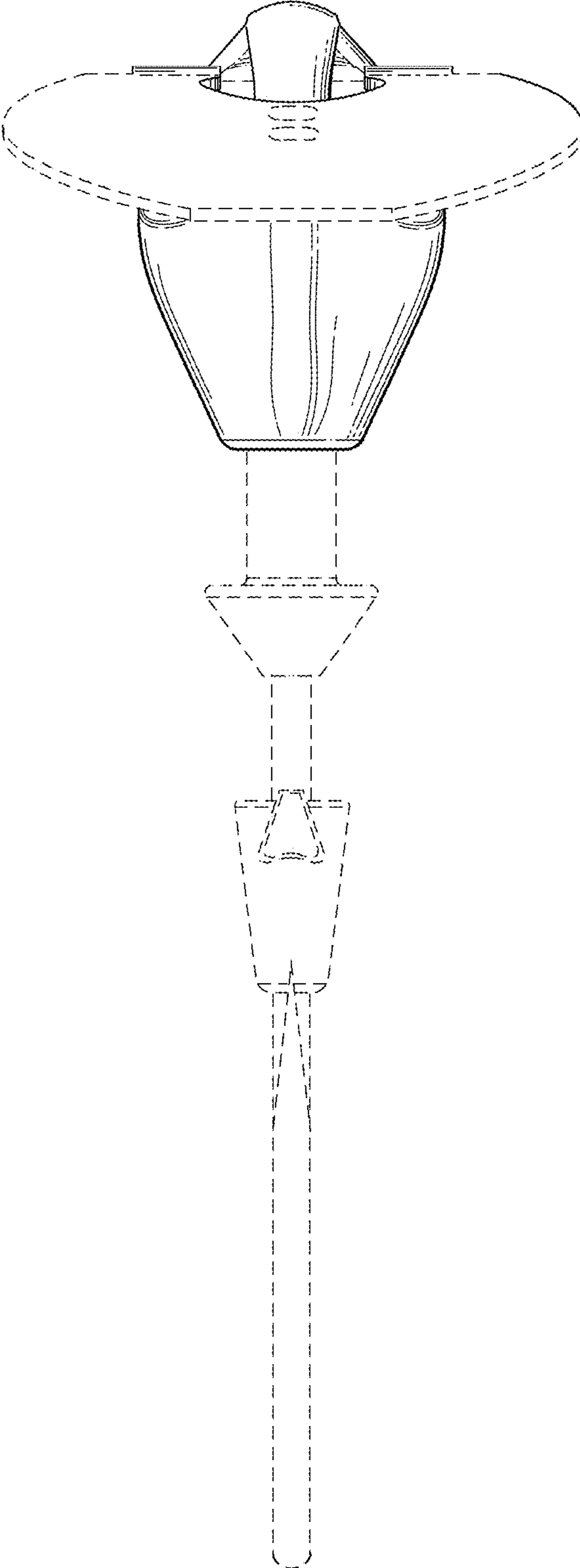


FIG. 7



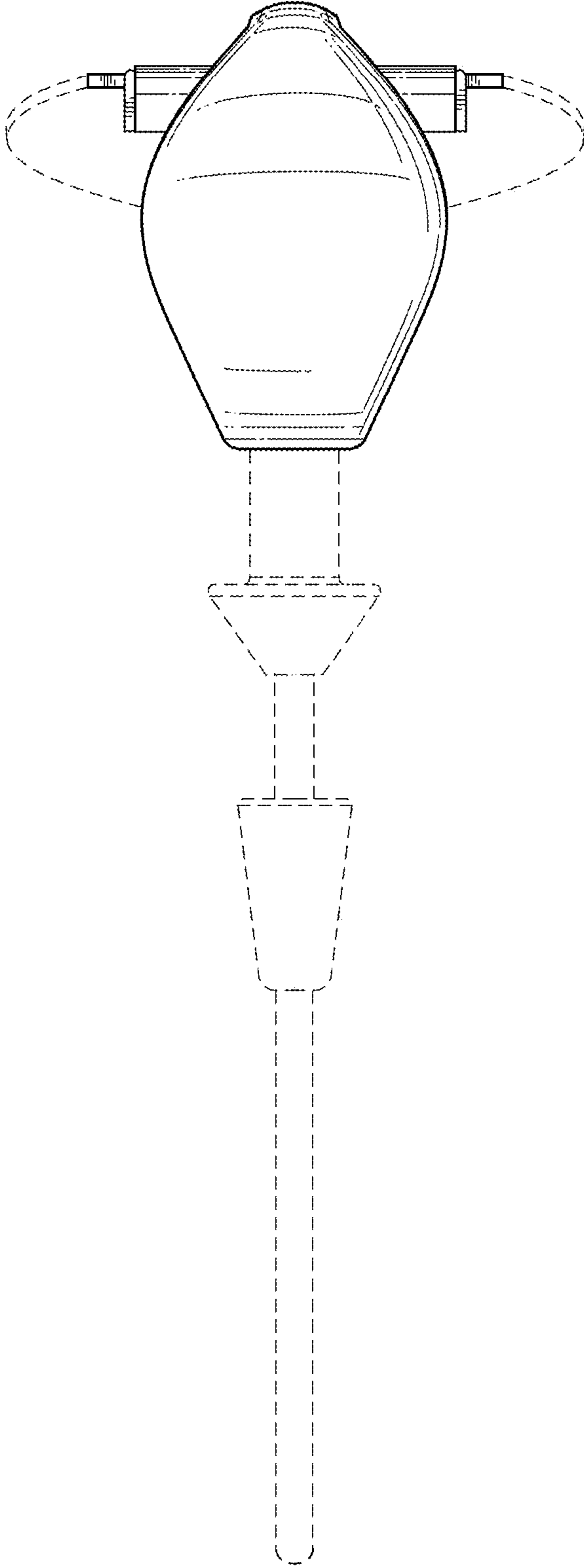


FIG. 8