



US00D956172S

(12) **United States Design Patent**
Vigil

(10) **Patent No.:** **US D956,172 S**
(45) **Date of Patent:** **** *Jun. 28, 2022**

(54) **FISHING ROD GRIP**
(71) Applicant: **Joe Vigil**, Rio Linda, CA (US)
(72) Inventor: **Joe Vigil**, Rio Linda, CA (US)

5,440,784 A 8/1995 Hull
D362,047 S * 9/1995 Miskimins D22/134
D363,756 S 10/1995 DiGrazia
6,098,333 A 8/2000 Wickizer
8,453,374 B2 * 6/2013 Saunders A01K 97/10
43/23
9,572,333 B1 2/2017 Jenkins
2006/0101702 A1 5/2006 LaCoste
2016/0338331 A1 11/2016 Norsworthy

(*) Notice: This patent is subject to a terminal disclaimer.

(**) Term: **15 Years**

OTHER PUBLICATIONS

(21) Appl. No.: **29/718,735**

Ardent Pro Over Grip—https://www.cabelas.com/shop/en/ardent-pro-over-grip?ds_e=GOOGLE&ds_c=Shop%7CGeneric%7CAIIProducts%7CHigh%7CSSCCatchAll&gclid=EAlalQobChMI-eemzJPO7QIVmo3ICh1B1gTgEAQYASABEgJV8vD_BwE&gclsrc=aw.ds (Year: 2020).*

(22) Filed: **Dec. 27, 2019**

(51) **LOC (13) Cl.** **22-05**

(52) **U.S. Cl.**
USPC **D22/142**

(58) **Field of Classification Search**
USPC D22/142, 137–138, 140; 43/23, 25, 21.2;
211/13.1, 70.8, 60.1; 248/520, 538, 512
CPC A01K 87/08; A01K 87/06; A01K 97/10;
A47B 81/005
See application file for complete search history.

* cited by examiner

Primary Examiner — Catherine R Oliver-Garcia

(57) **CLAIM**

The ornamental design for a fishing rod grip, as shown and described.

DESCRIPTION

FIG. 1 is a front view of a fishing rod grip showing my new design;
FIG. 2 is a rear view of the fishing rod grip;
FIG. 3 is a right side view of the fishing rod grip;
FIG. 4 is a left side view of the fishing rod grip;
FIG. 5 is a top view of the fishing rod grip;
FIG. 6 is a bottom view of the fishing rod grip; and,
FIG. 7 is a top front side perspective view of the fishing rod grip.

(56) **References Cited**

U.S. PATENT DOCUMENTS

D217,147 S * 4/1970 Sutz D22/138
4,209,931 A * 7/1980 Vance A01K 87/06
43/22
D266,862 S * 11/1982 Vance D22/142
D290,157 S 6/1987 Ohmura
4,697,377 A * 10/1987 Martin A01K 87/08
43/23
4,793,087 A 12/1988 McGee
D330,065 S * 10/1992 Debreczeni D22/138

1 Claim, 5 Drawing Sheets

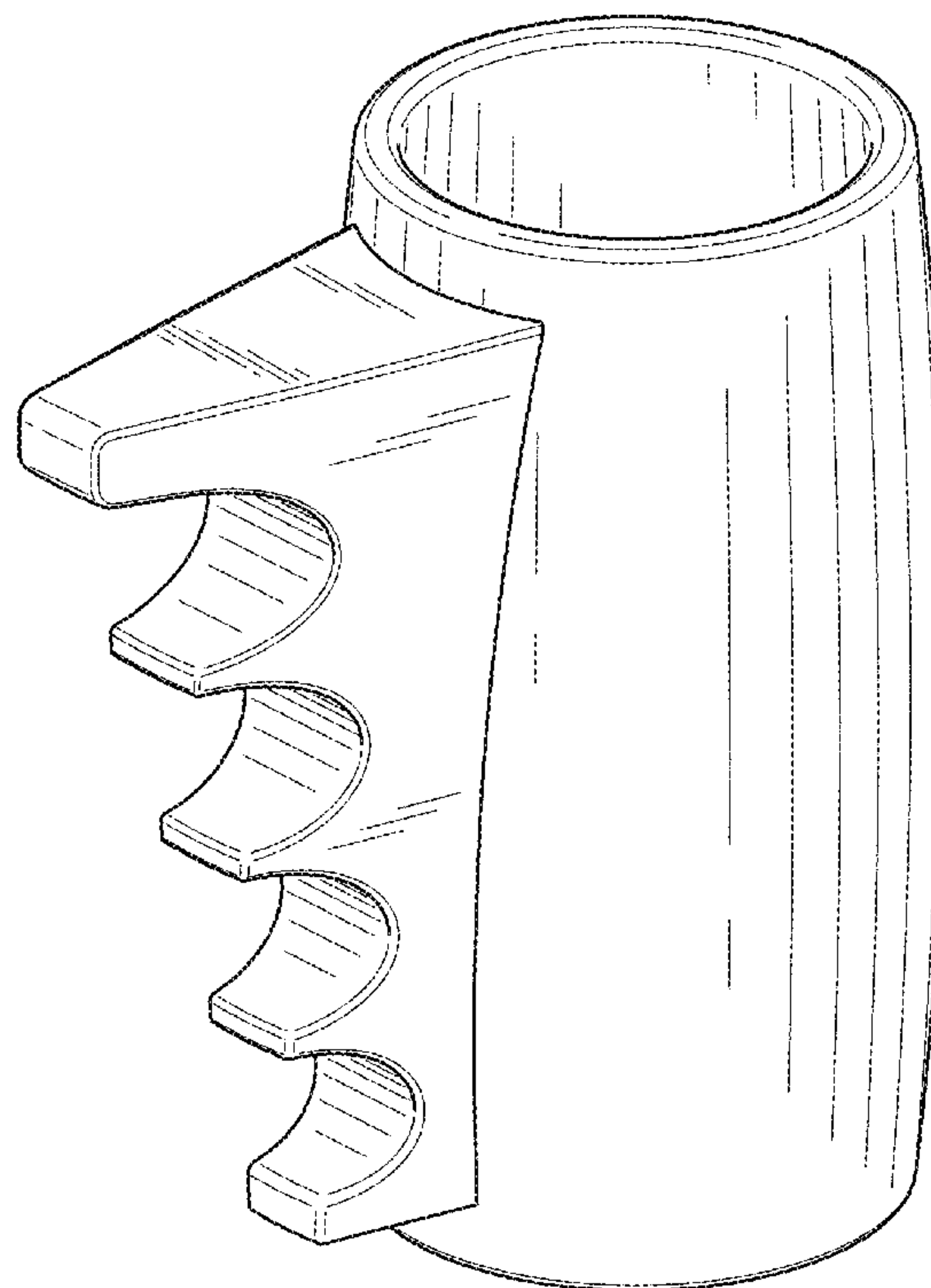


FIG. 1

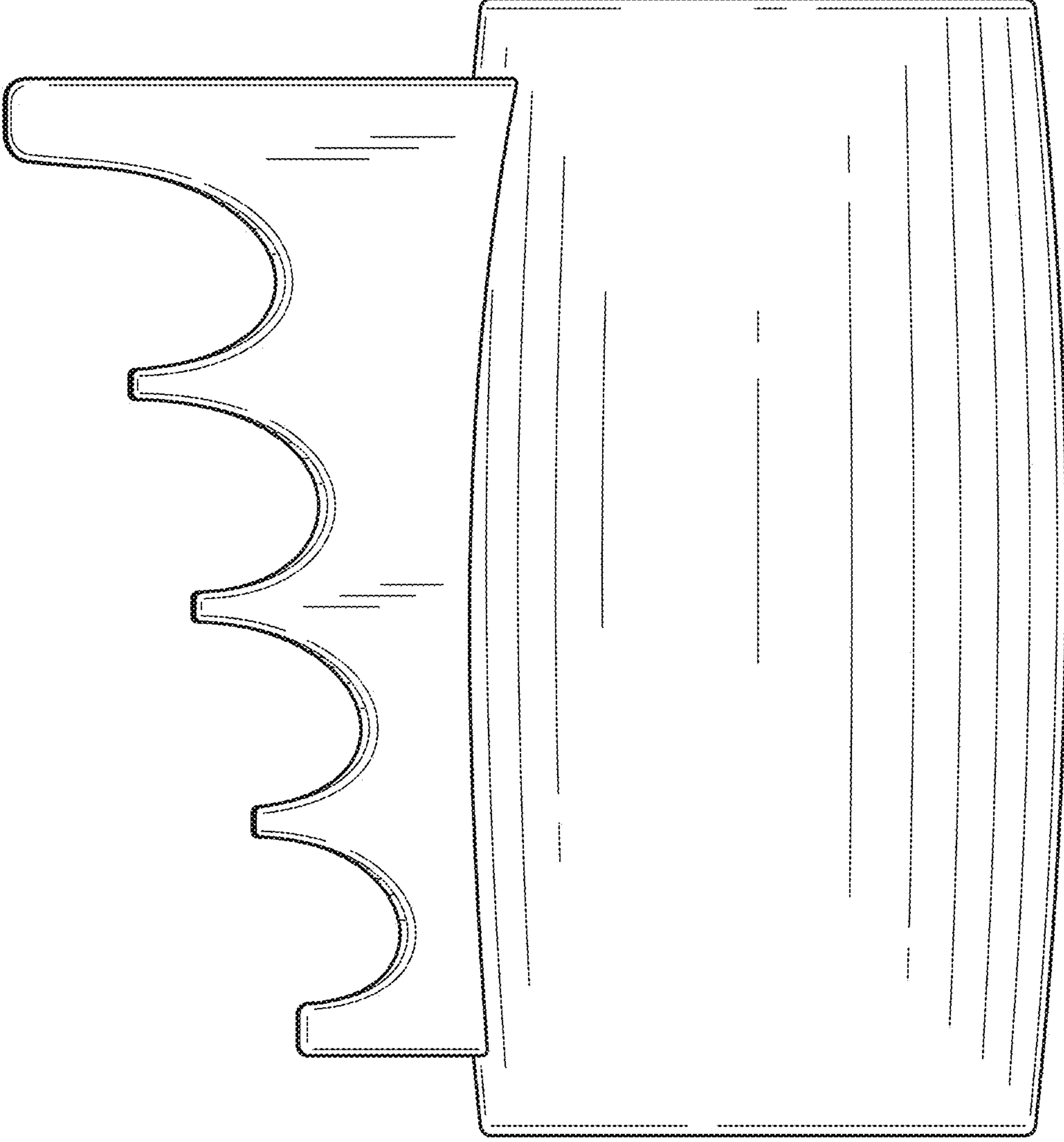
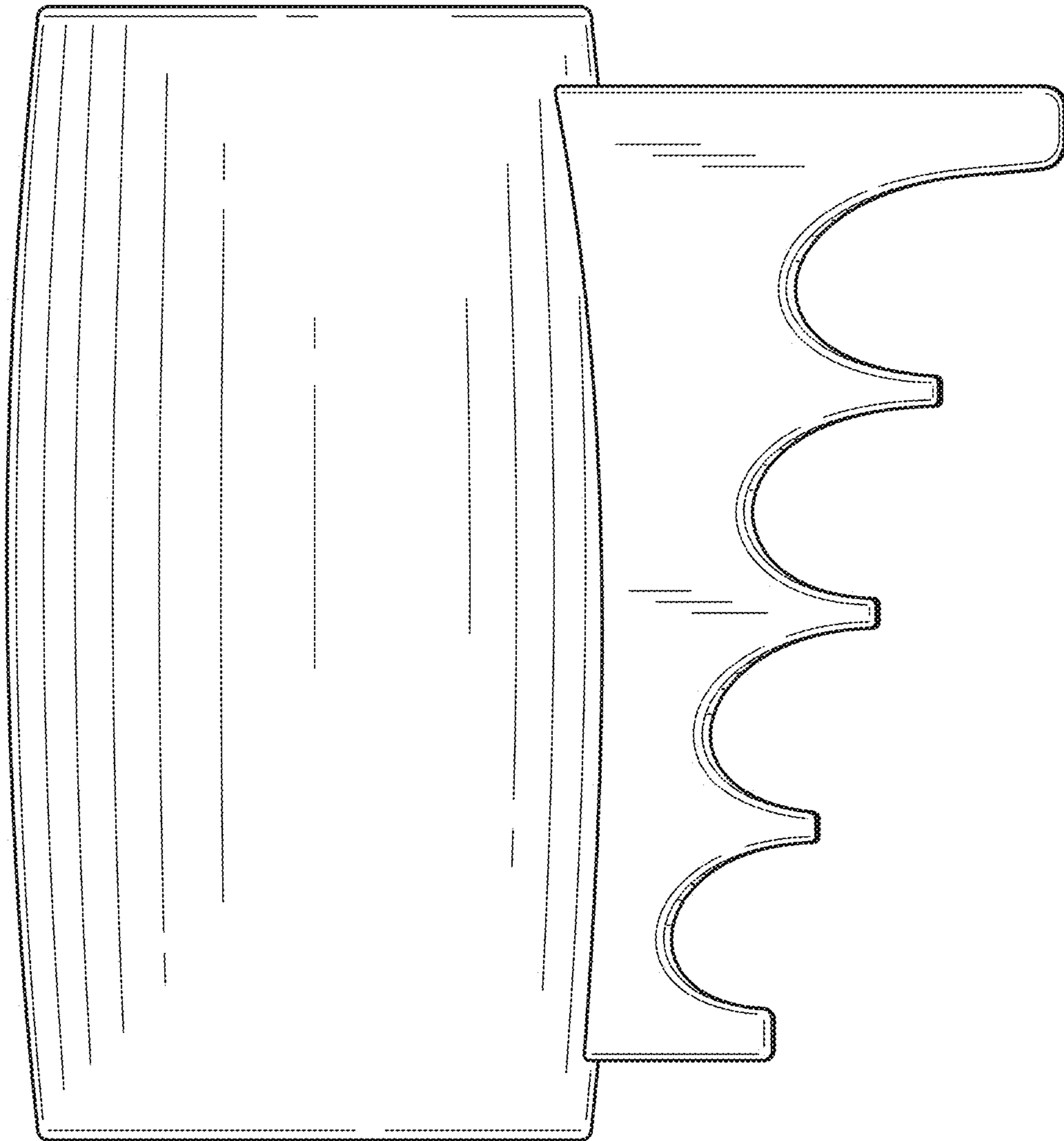


FIG. 2



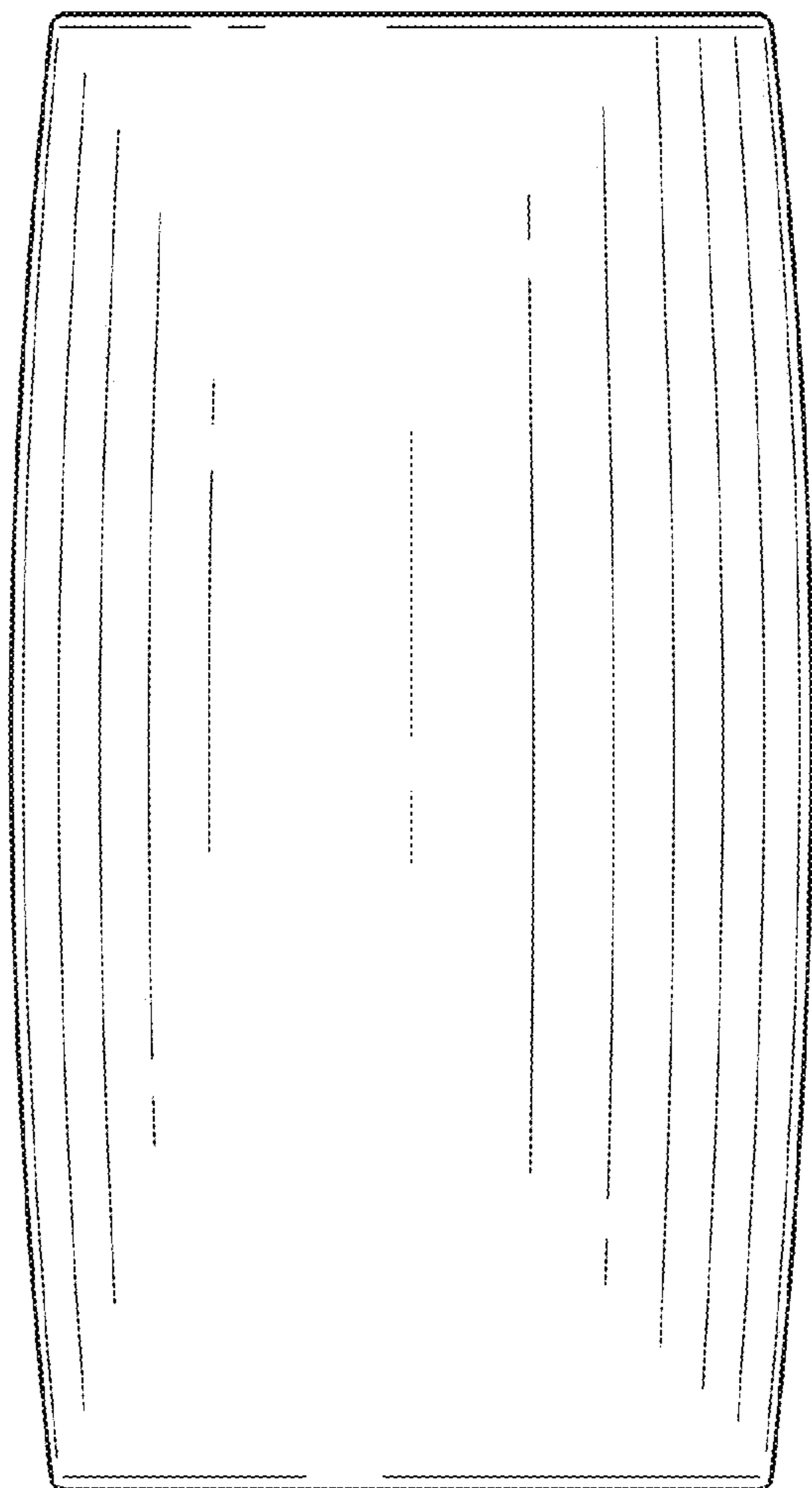


FIG. 3

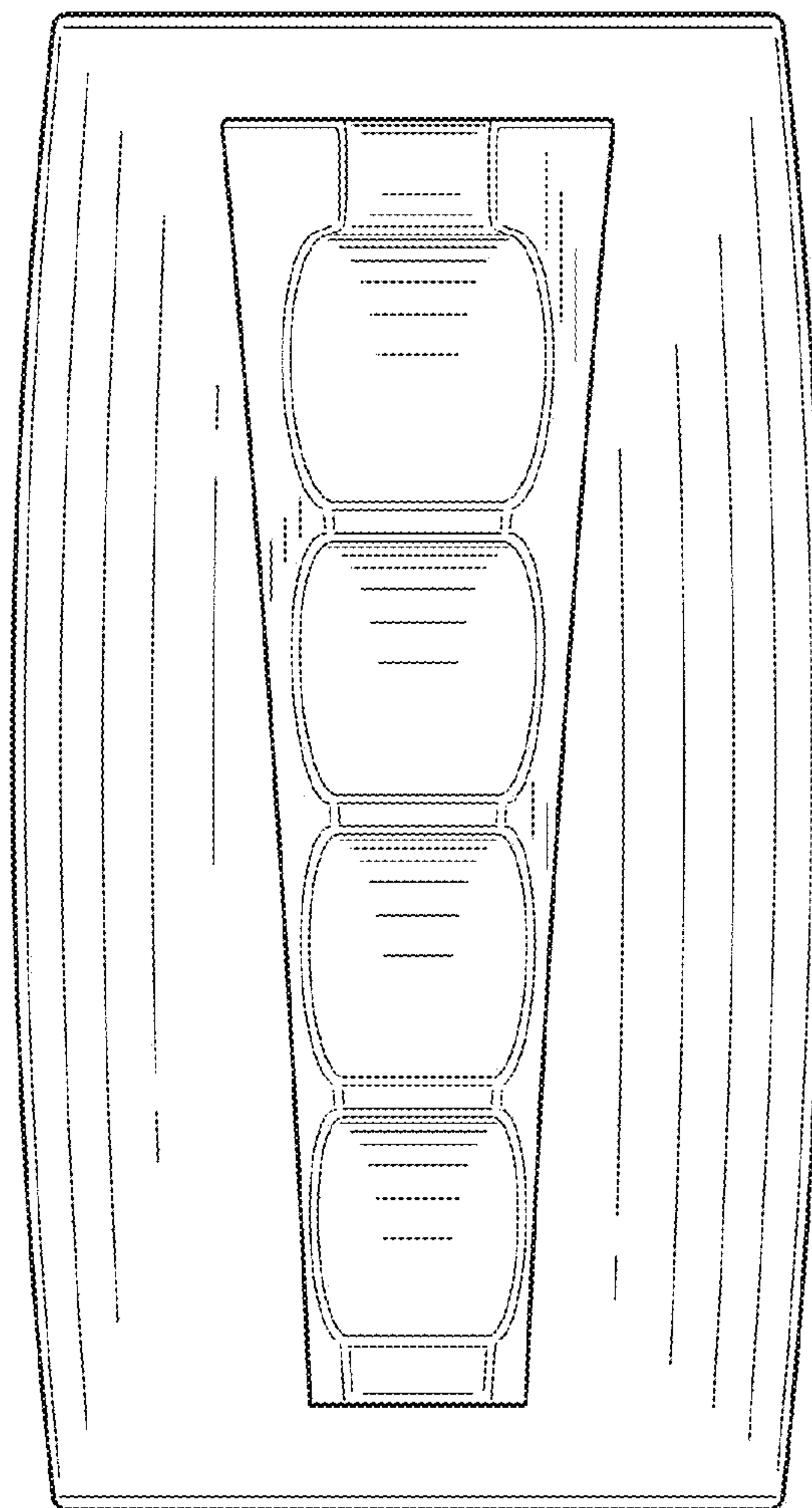


FIG. 4

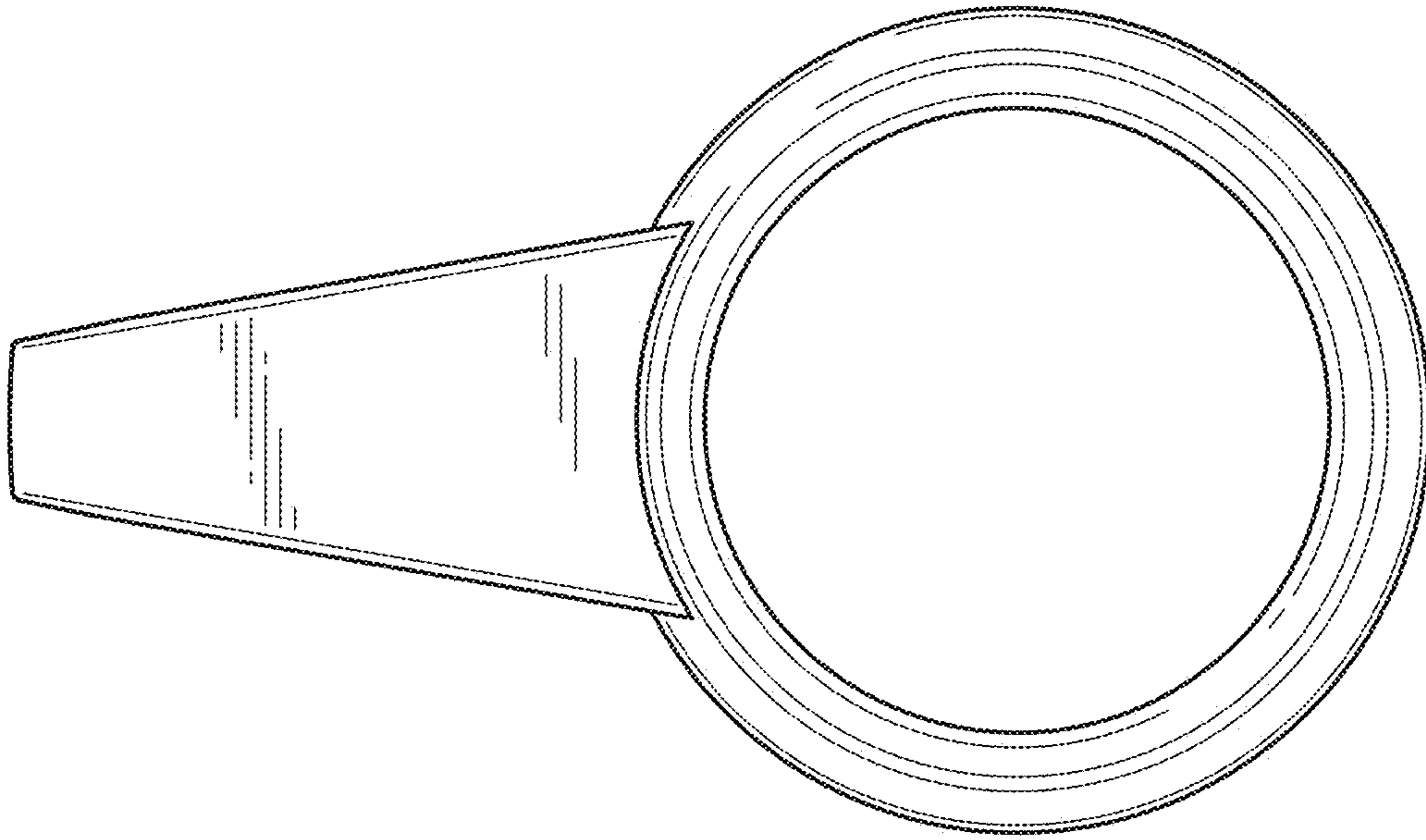


FIG. 5

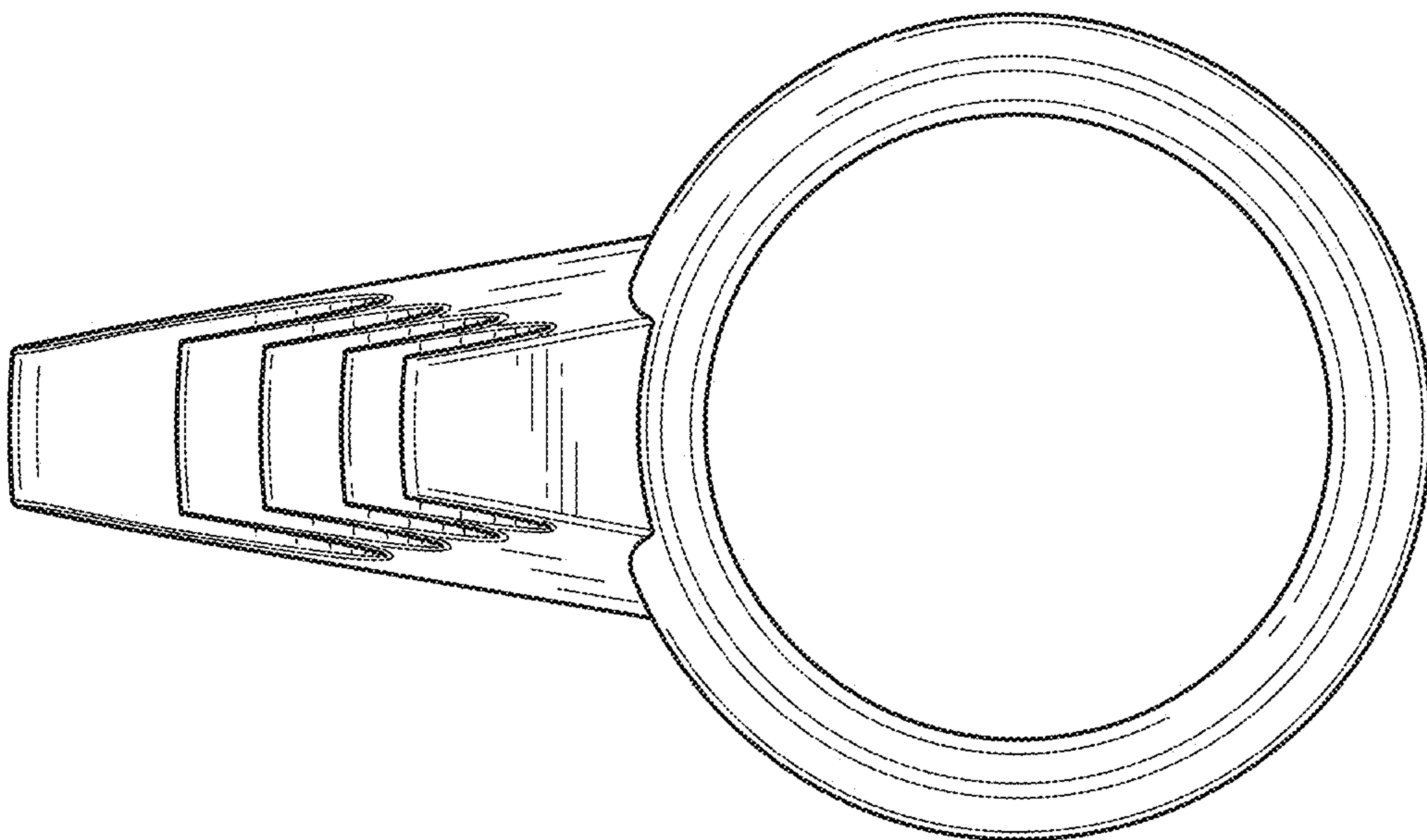


FIG. 6

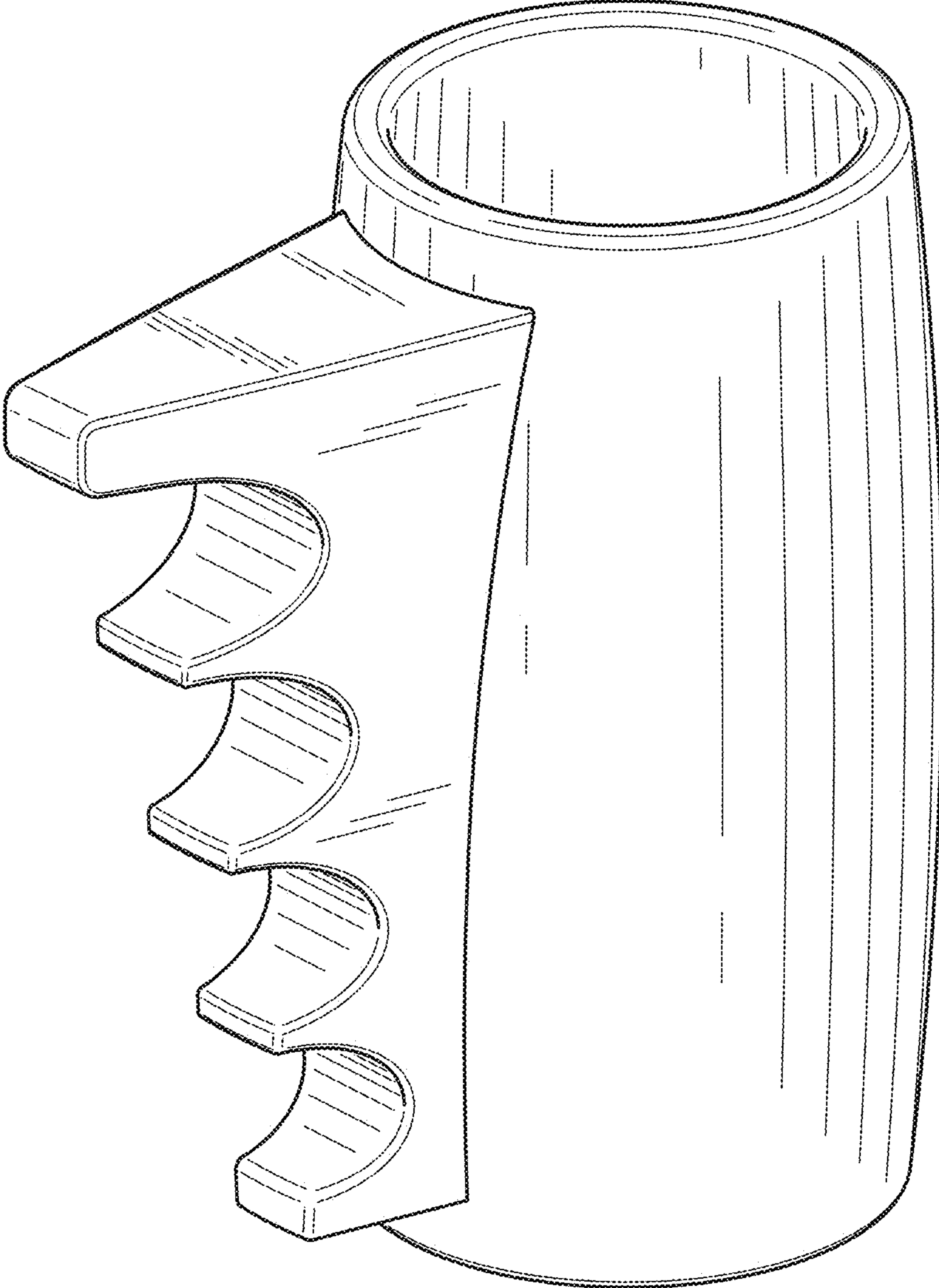


FIG. 7