



US00D956170S

(12) **United States Design Patent** (10) **Patent No.:** **US D956,170 S**  
**Walsh et al.** (45) **Date of Patent:** **\*\* Jun. 28, 2022**

(54) **RODENT TRAP** 1,281,876 A 10/1918 Taylor  
D57,320 S 3/1921 Dorsch  
(71) Applicant: **OMS Investments, Inc.**, Los Angeles, CA (US) 1,587,536 A 6/1926 Lobit  
1,677,470 A 7/1928 Dorsch et al.  
2,529,589 A 11/1950 Biery  
(72) Inventors: **James R. Walsh**, Wauwatosa, WI (US); 4,030,230 A 6/1977 Souza  
**Paul R. Zeamer**, Madison, WI (US); 4,144,667 A 3/1979 Souza  
**Daniel C. Johnson**, Madison, WI (US) 4,245,423 A 1/1981 Souza et al.  
4,253,264 A 3/1981 Souza  
4,769,942 A 9/1988 Copenhagen  
(73) Assignee: **OMS Investments, Inc.**, Los Angeles, CA (US) (Continued)

(\*\*) Term: **15 Years**

(21) Appl. No.: **29/714,556**

(22) Filed: **Nov. 25, 2019**

**Related U.S. Application Data**

(63) Continuation of application No. 29/689,325, filed on Apr. 29, 2019, now Pat. No. Des. 868,201, which is a continuation of application No. 29/590,426, filed on Jan. 10, 2017, now Pat. No. Des. 847,295.

(51) **LOC (13) Cl.** ..... **22-06**

(52) **U.S. Cl.**  
USPC ..... **D22/119**

(58) **Field of Classification Search**  
USPC ..... D22/119–120  
CPC ..... A01M 1/00; A01M 1/02; A01M 23/00;  
A01M 23/08; A01M 23/30; A01M 23/16;  
A01M 23/24; A01M 23/245; A01M  
25/004; A01M 29/18  
See application file for complete search history.

(56) **References Cited**

**U.S. PATENT DOCUMENTS**

83,074 A 10/1868 McClure  
441,677 A 12/1890 Lovell  
982,486 A 1/1911 Edwards

**FOREIGN PATENT DOCUMENTS**

EP 0280504 A2 8/1988  
EP 0745323 A1 12/1996

(Continued)

*Primary Examiner* — Catherine R Oliver-Garcia  
(74) *Attorney, Agent, or Firm* — Ulmer & Berne LLP

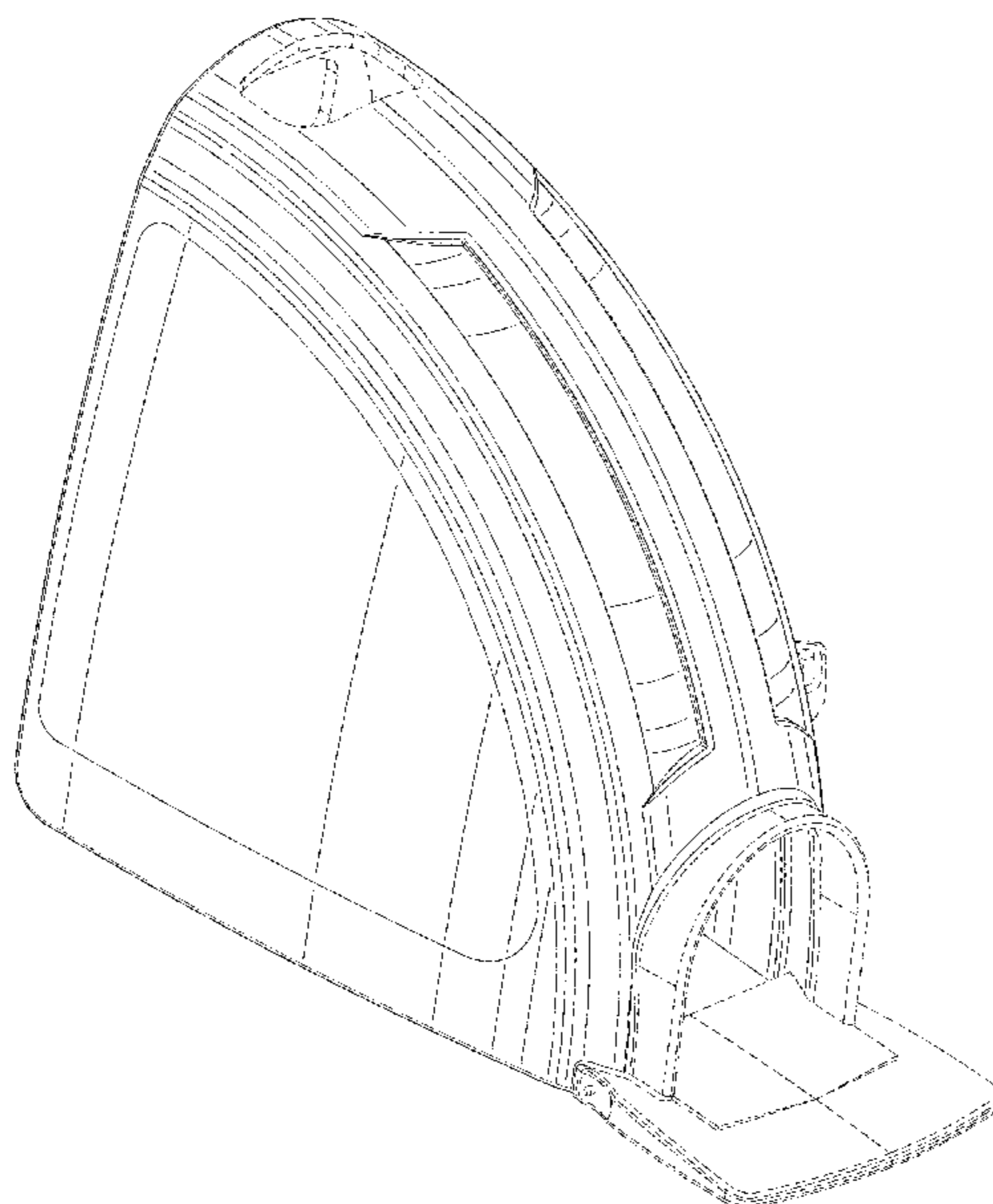
(57) **CLAIM**

The ornamental design for a rodent trap, as shown and described.

**DESCRIPTION**

FIG. 1 is a top, front, right side perspective view of a rodent trap showing our new design;  
FIG. 2 is a top, front, left side perspective view thereof;  
FIG. 3 is a front elevation view thereof;  
FIG. 4 is a rear elevation view thereof;  
FIG. 5 is a left side elevation view thereof;  
FIG. 6 is a right side elevation view thereof;  
FIG. 7 is a top plan view thereof;  
FIG. 8 is a bottom plan view thereof;  
FIG. 9 is a bottom, rear, left side perspective view thereof;  
and,  
FIG. 10 is bottom, rear, right side perspective view thereof.  
The dashed broken lines in the drawings illustrate the portions of the rodent trap that form no part of the claim.

**1 Claim, 10 Drawing Sheets**



(56)

References Cited

U.S. PATENT DOCUMENTS

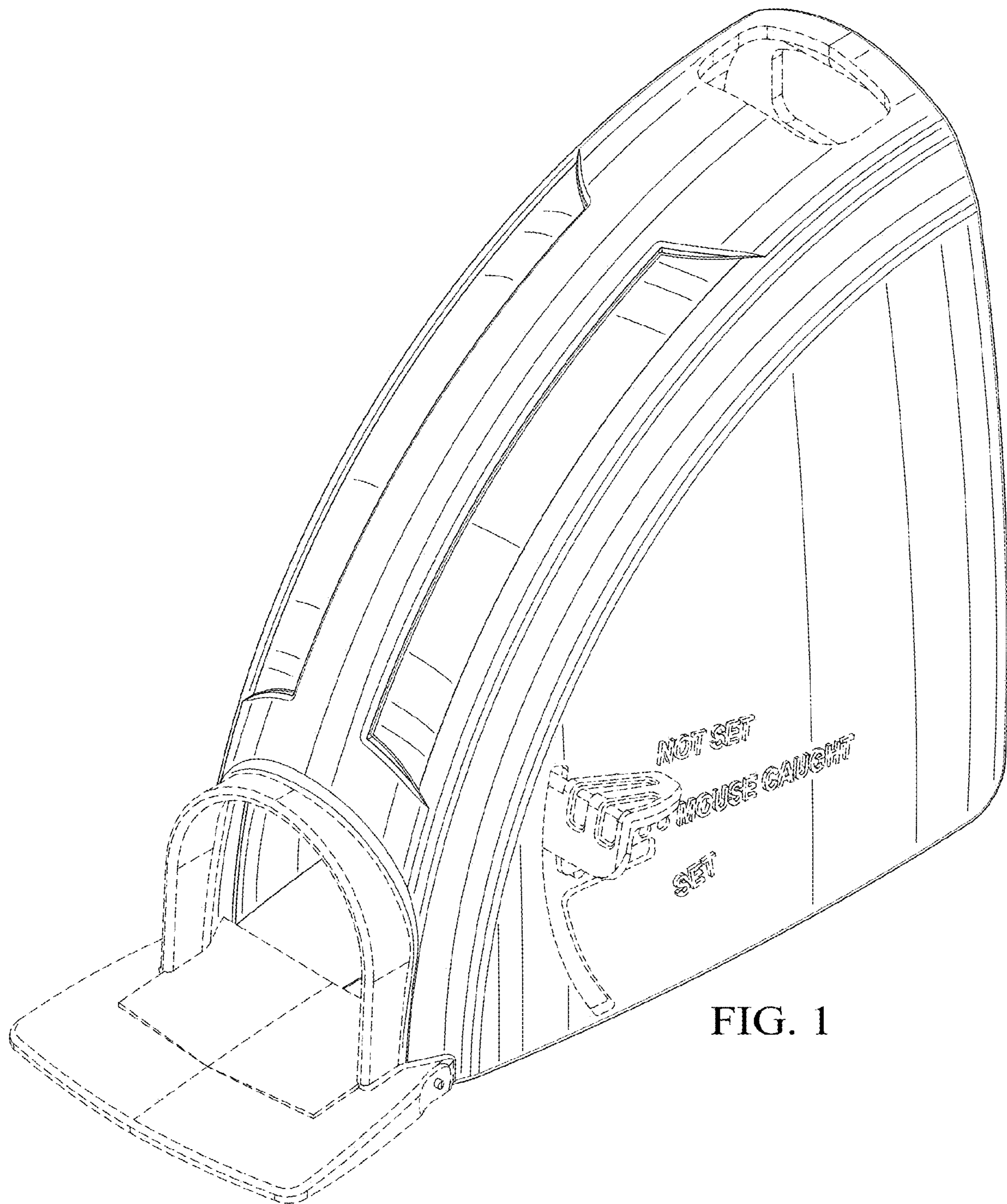
4,803,799 A 2/1989 Vajs et al.  
D300,163 S 3/1989 Landell et al.  
4,852,294 A 8/1989 Langli  
4,856,225 A 8/1989 Radesky et al.  
4,858,373 A 8/1989 Combs  
4,926,581 A 5/1990 Grivas  
5,040,327 A 8/1991 Stack et al.  
5,044,113 A 9/1991 Stack et al.  
5,148,624 A 9/1992 Schmidt  
5,172,512 A 12/1992 Bodker et al.  
5,185,953 A 2/1993 Gross  
D346,199 S 4/1994 Spragins et al.  
5,337,512 A 8/1994 Krenzler  
5,384,981 A 1/1995 Cohen  
5,398,442 A 3/1995 Musket  
5,448,852 A 9/1995 Spragins et al.  
5,471,781 A 12/1995 Vine  
5,477,636 A 12/1995 Musket  
5,481,824 A 1/1996 Fiore, Jr. et al.  
5,572,825 A 11/1996 Gehret  
5,577,342 A 11/1996 Johnson et al.  
D385,611 S 10/1997 Prince et al.  
D386,554 S 11/1997 Brewer  
5,692,336 A 12/1997 Fiore, Jr. et al.  
5,746,020 A 5/1998 Fiore, Jr. et al.  
5,806,237 A 9/1998 Nelson et al.  
D409,711 S 5/1999 Johnson  
5,950,353 A 9/1999 Johnson et al.  
6,047,494 A 4/2000 Johnson et al.  
D441,828 S 5/2001 Leyerle et al.  
6,266,917 B1 7/2001 Hight  
6,389,738 B1 5/2002 Denny et al.  
D459,428 S 6/2002 Johnson et al.  
6,397,517 B1 6/2002 Leyerle et al.  
6,415,544 B1 7/2002 Leyerle et al.  
6,481,151 B1 11/2002 Johnson et al.  
6,493,988 B1 12/2002 Johnson  
6,508,031 B1 1/2003 Johnson et al.  
6,574,912 B1 6/2003 Johnson  
6,594,948 B1 7/2003 Novack  
6,609,328 B2 8/2003 Swift et al.  
6,622,422 B2 9/2003 Gehret et al.  
6,631,582 B2 10/2003 Knuppel et al.  
D485,597 S 1/2004 Turner  
6,684,560 B2 2/2004 Lafforthun  
6,691,452 B1 2/2004 Knuppel et al.  
6,694,669 B2 2/2004 Gehret et al.  
6,735,899 B1 5/2004 Anderson et al.  
6,775,947 B2 8/2004 Anderson et al.  
6,796,081 B2 9/2004 Anderson et al.  
6,807,768 B2 10/2004 Johnson et al.  
6,836,999 B2 1/2005 Rich et al.  
6,938,368 B2 9/2005 Guidry  
6,955,007 B2 10/2005 Gehret et al.  
6,990,766 B2 1/2006 Gehret et al.  
D514,655 S 2/2006 Rodgers et al.  
D515,175 S 2/2006 Mayo et al.

7,010,882 B2 3/2006 Rich et al.  
7,069,688 B2 7/2006 Hill  
7,089,701 B2 8/2006 Frisch  
D529,571 S 10/2006 Hoyes  
7,171,777 B2 2/2007 Welin-Berger  
7,219,466 B2 5/2007 Rich et al.  
7,231,738 B2 6/2007 Watson et al.  
D573,224 S 7/2008 Rodriguez  
D577,412 S 9/2008 Nathan et al.  
D589,583 S 3/2009 Phillips et al.  
D589,584 S 3/2009 Phillips et al.  
D619,673 S 7/2010 Cink et al.  
7,814,702 B2 10/2010 Nathan et al.  
7,886,479 B2 2/2011 Bruno et al.  
7,921,593 B2 4/2011 Everett et al.  
8,104,222 B2 1/2012 Hovey  
D673,640 S 1/2013 Bailey et al.  
D678,977 S 3/2013 Huang  
8,490,323 B2 7/2013 Nathan et al.  
D722,127 S 2/2015 Huang  
D847,295 S 4/2019 Walsh et al.  
D868,201 S 11/2019 Walsh et al.  
2004/0025410 A1 2/2004 Shapland  
2004/0088903 A1 5/2004 Poche  
2004/0244274 A1 12/2004 Dellevigne et al.  
2005/0279015 A1 12/2005 Hall  
2006/0032110 A1 2/2006 Yang  
2006/0042153 A1 3/2006 Bowerman  
2006/0053682 A1 3/2006 Goldstein  
2006/0117644 A1 6/2006 Hoyes et al.  
2006/0156615 A1 7/2006 Hale  
2006/0156617 A1 7/2006 Hale  
2006/0265941 A1 11/2006 Newton  
2006/0272197 A1 12/2006 Wiesener et al.  
2007/0017148 A1 1/2007 Blau  
2007/0017149 A1 1/2007 Rodgers et al.  
2008/0178517 A1 7/2008 Han et al.  
2009/0151223 A1 6/2009 Nathan et al.  
2009/0249680 A1\* 10/2009 Watson ..... A01M 23/30  
43/77  
2011/0072708 A1 3/2011 Nathan et al.  
2011/0072709 A1 3/2011 Patterson et al.  
2018/0110214 A1\* 4/2018 McGrade ..... A01M 23/24  
2019/0313627 A1\* 10/2019 Broskey ..... A01M 23/08  
2020/0337293 A1\* 10/2020 Nee ..... A01M 25/004  
2021/0015088 A1\* 1/2021 McGrade ..... A01M 23/245  
2021/0015090 A1\* 1/2021 Galloway ..... A01M 25/004

FOREIGN PATENT DOCUMENTS

EP 0806138 A1 11/1997  
EP 0553336 B1 1/1998  
EP 1149530 A2 10/2001  
GB 2384966 A 8/2003  
JP 06165630 A 6/1994  
WO 9303612 A1 3/1993  
WO 02102147 A1 12/2002  
WO 03059057 A1 7/2003  
WO 2005022992 A1 3/2005

\* cited by examiner



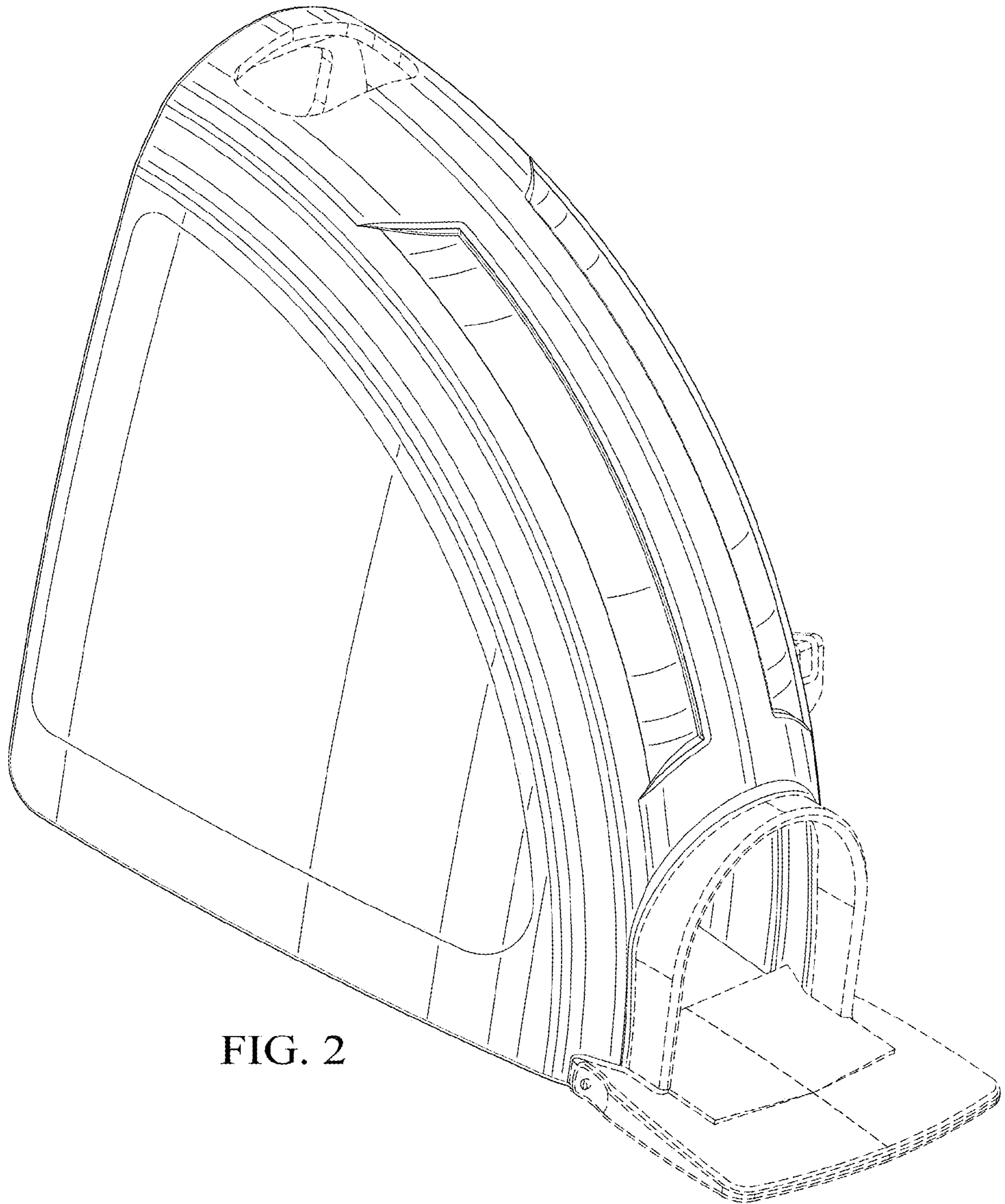


FIG. 2

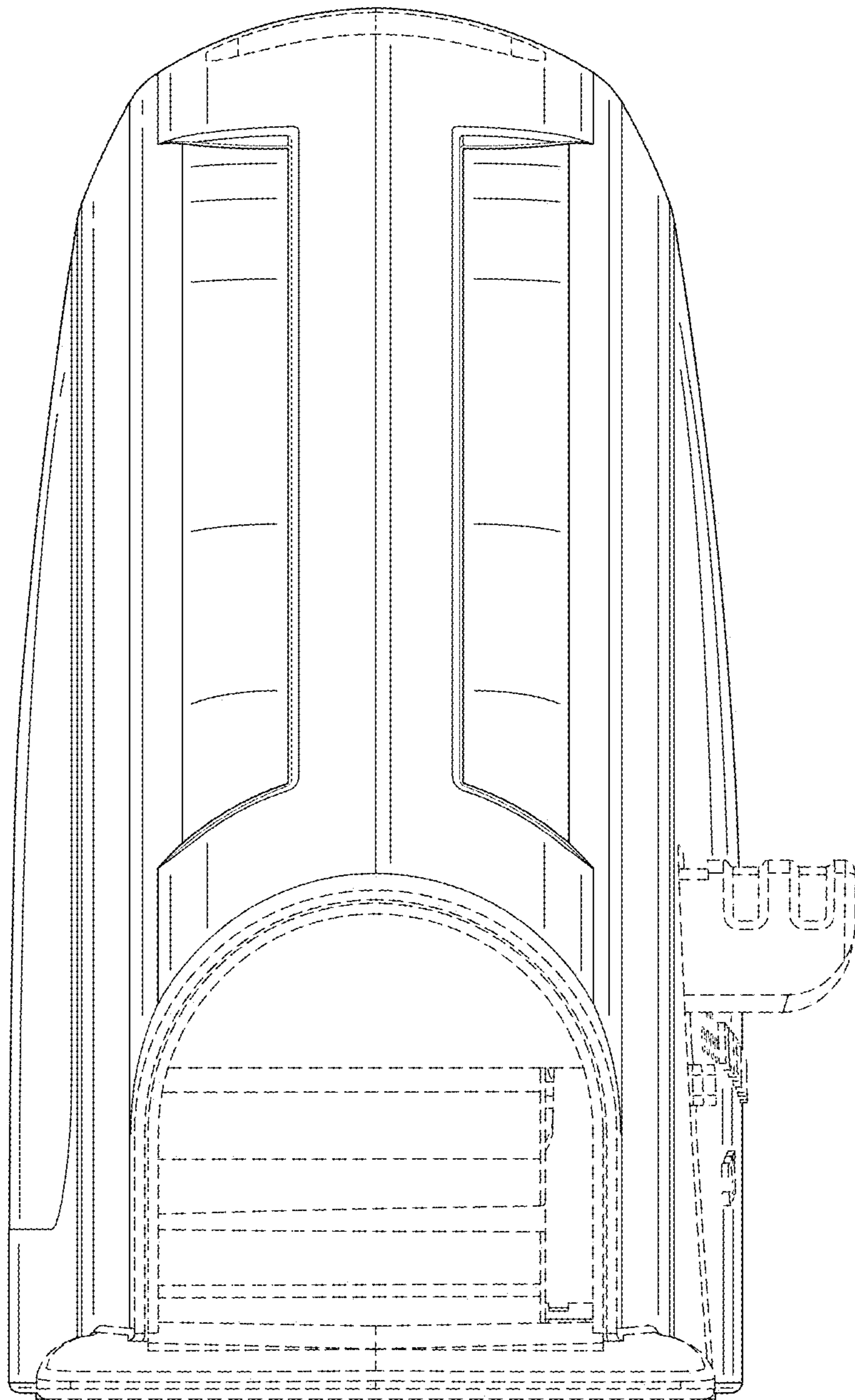


FIG. 3

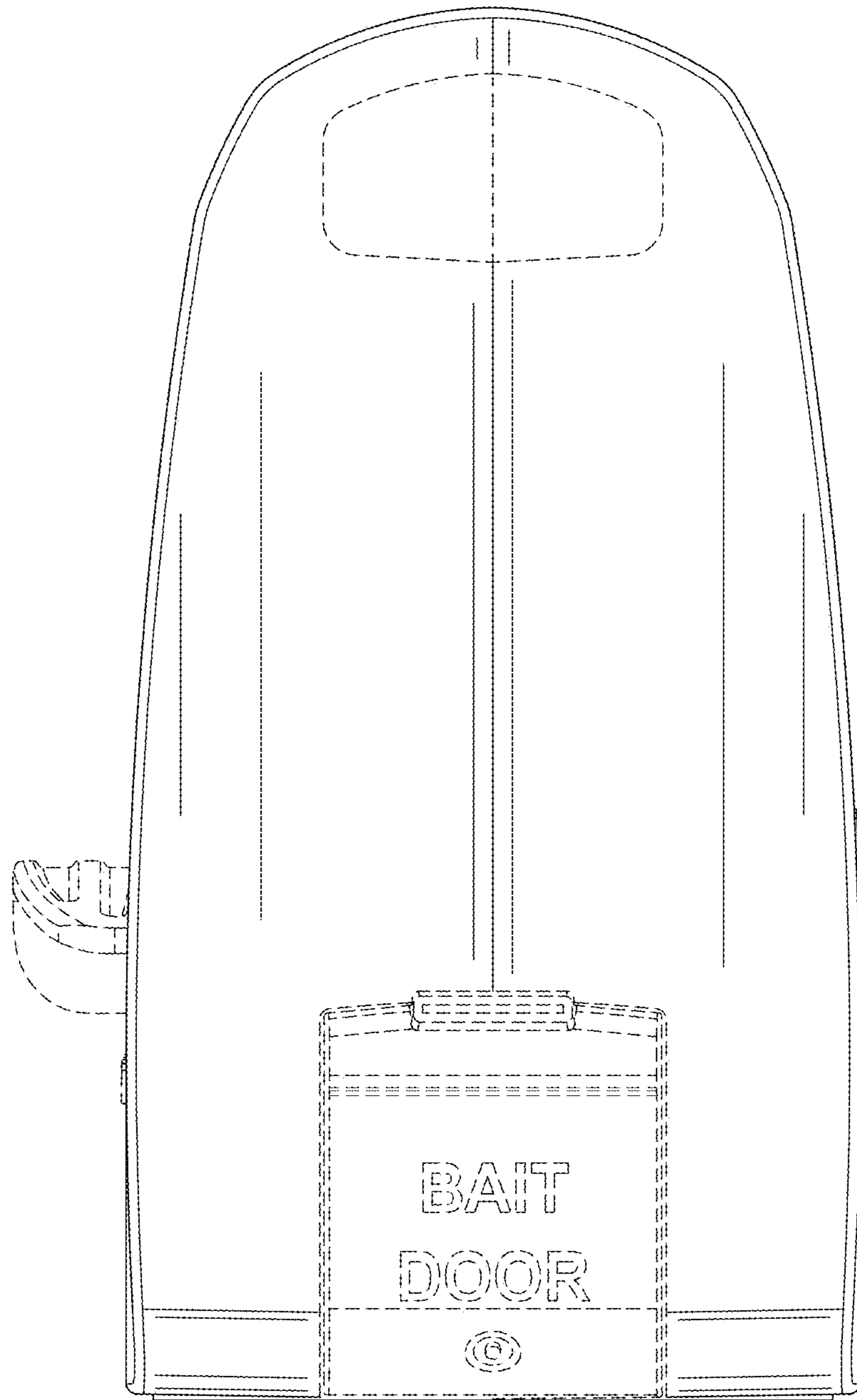


FIG. 4

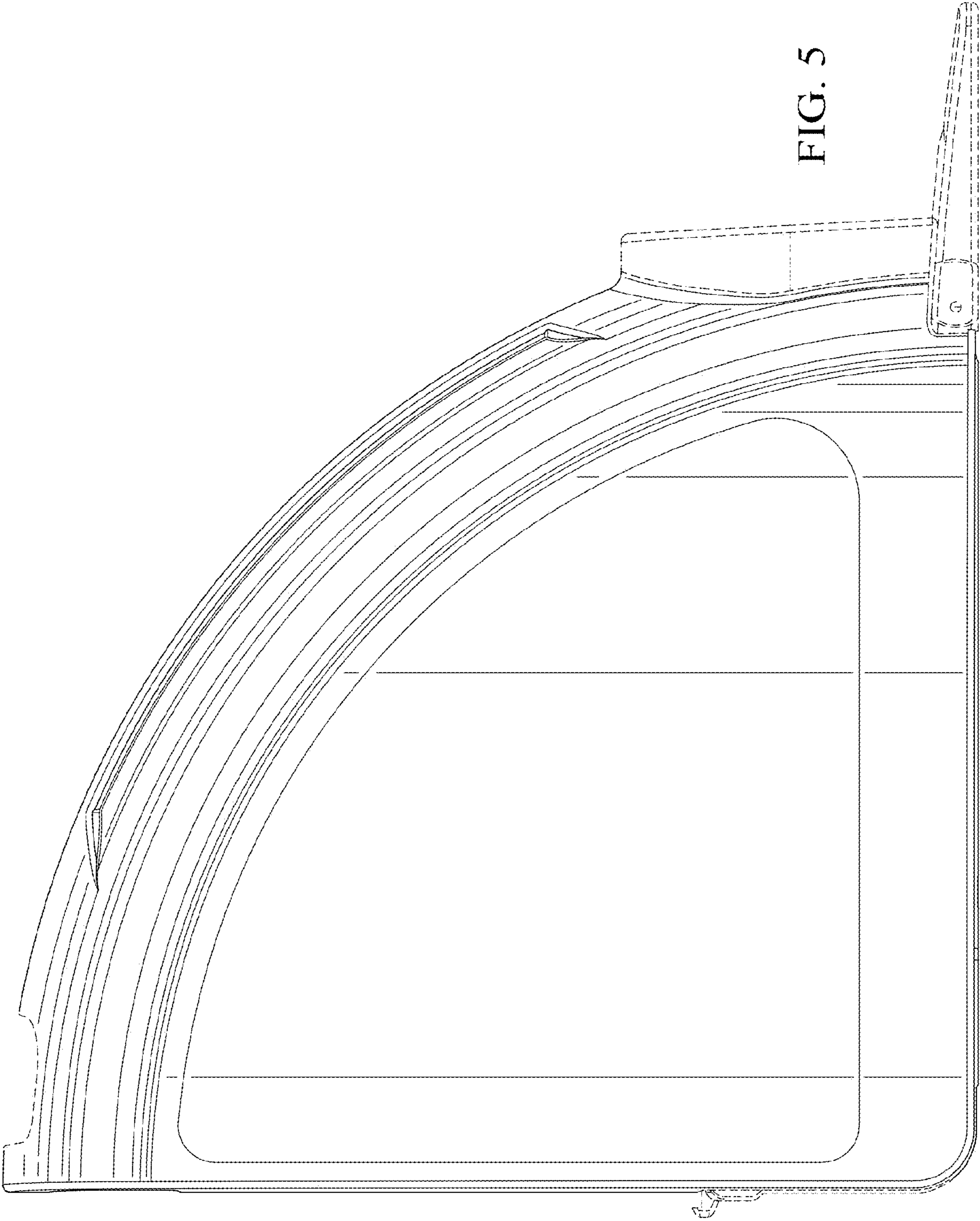


FIG. 5

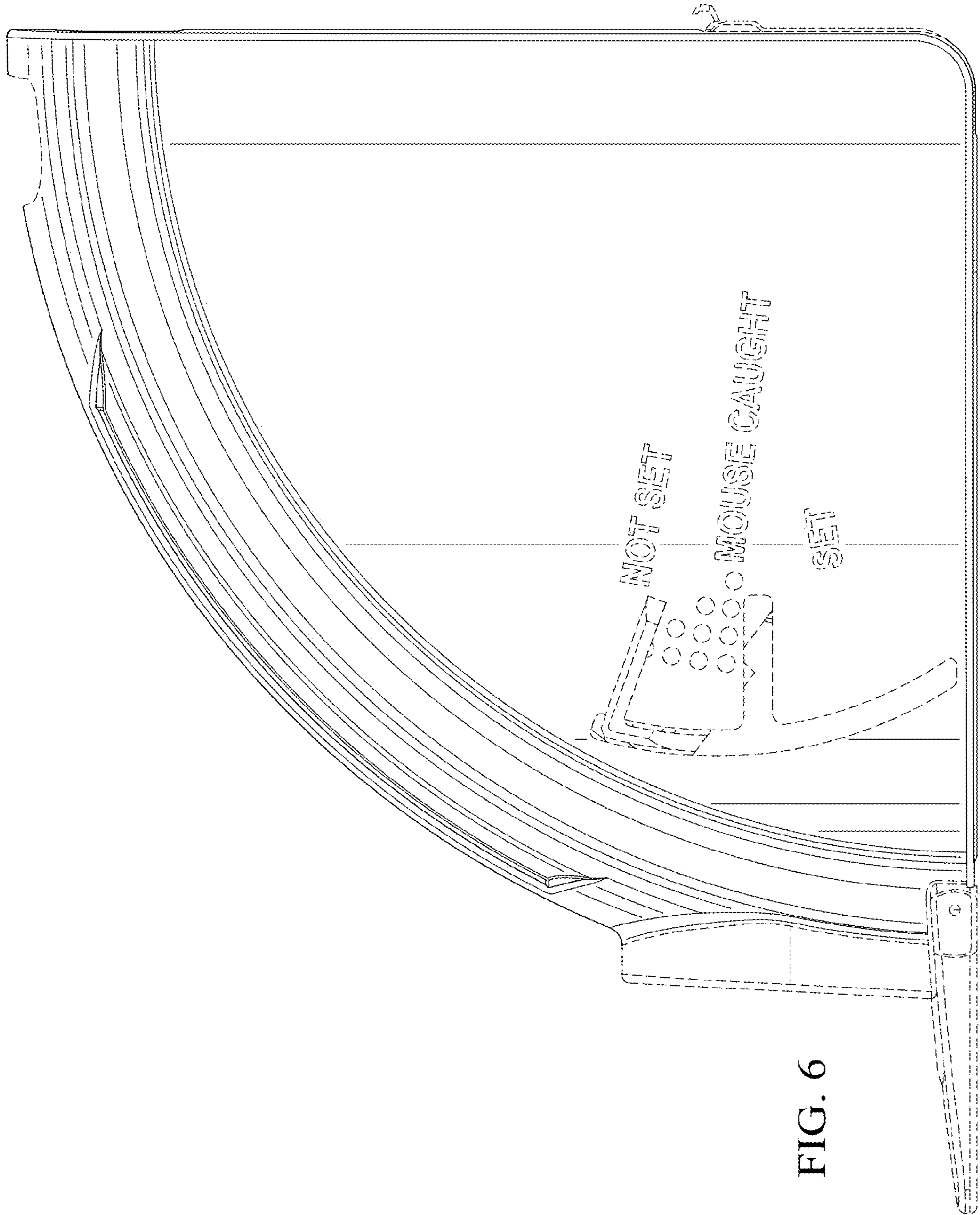


FIG. 6



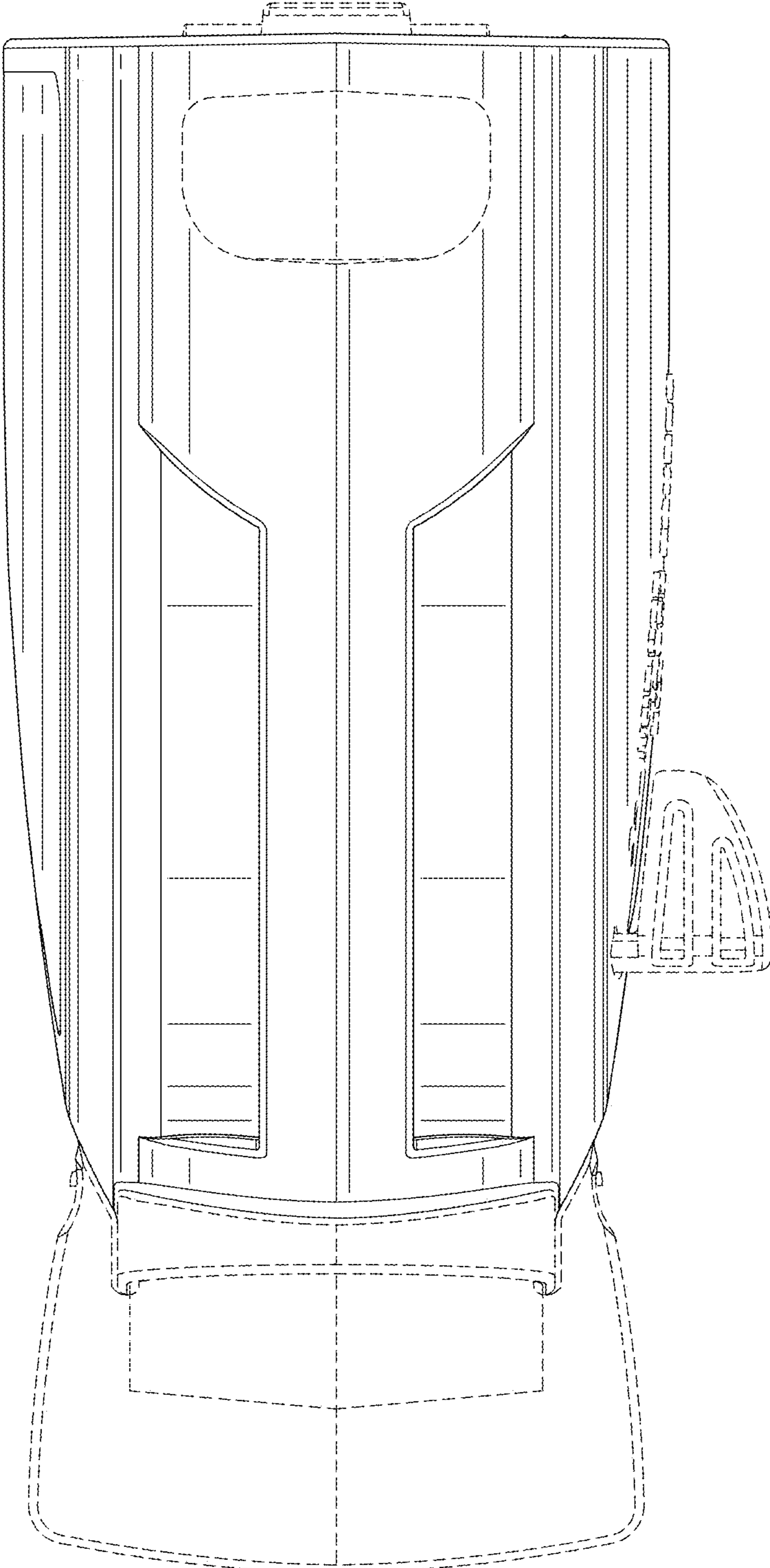


FIG. 7

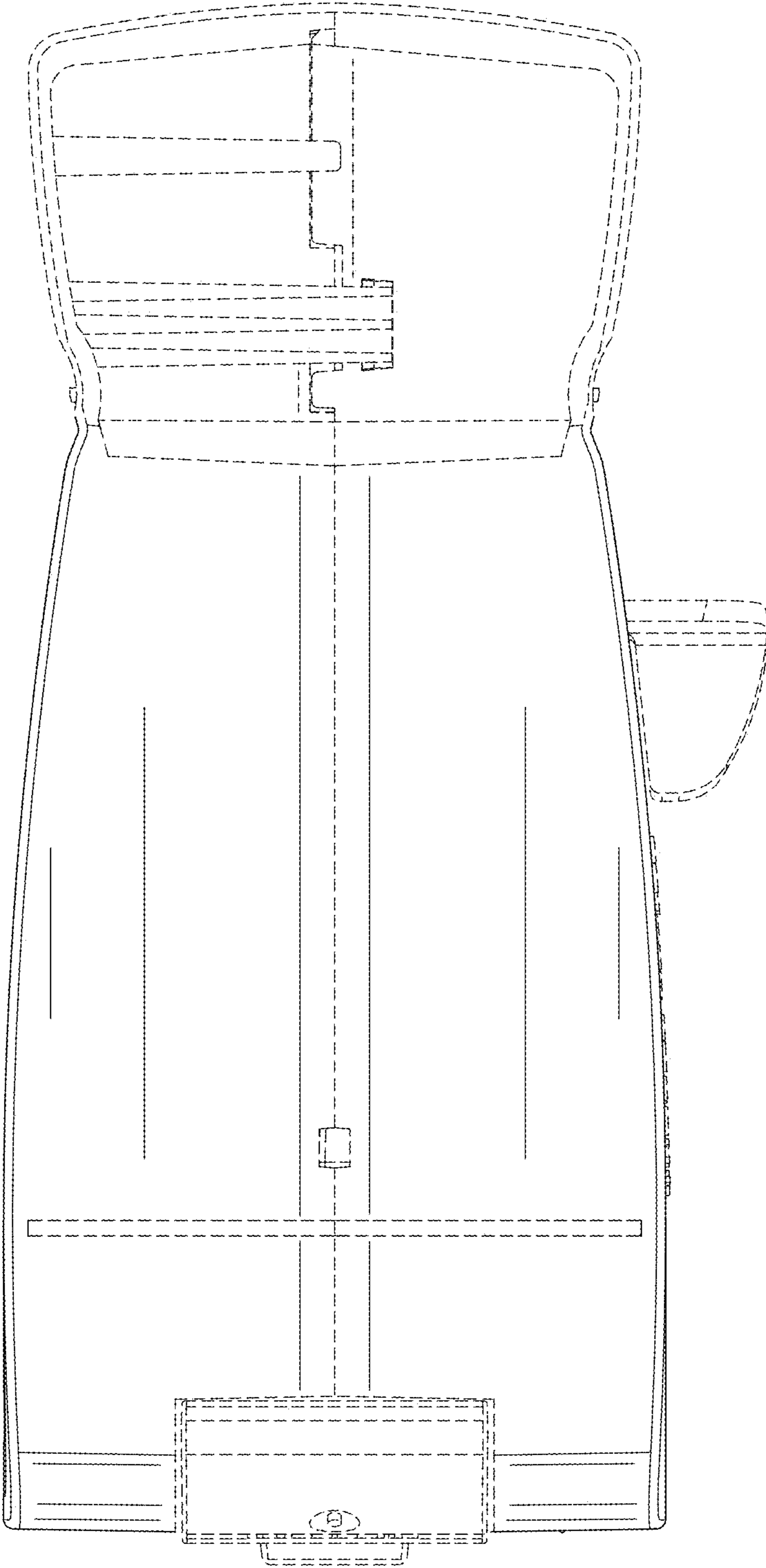


FIG. 8

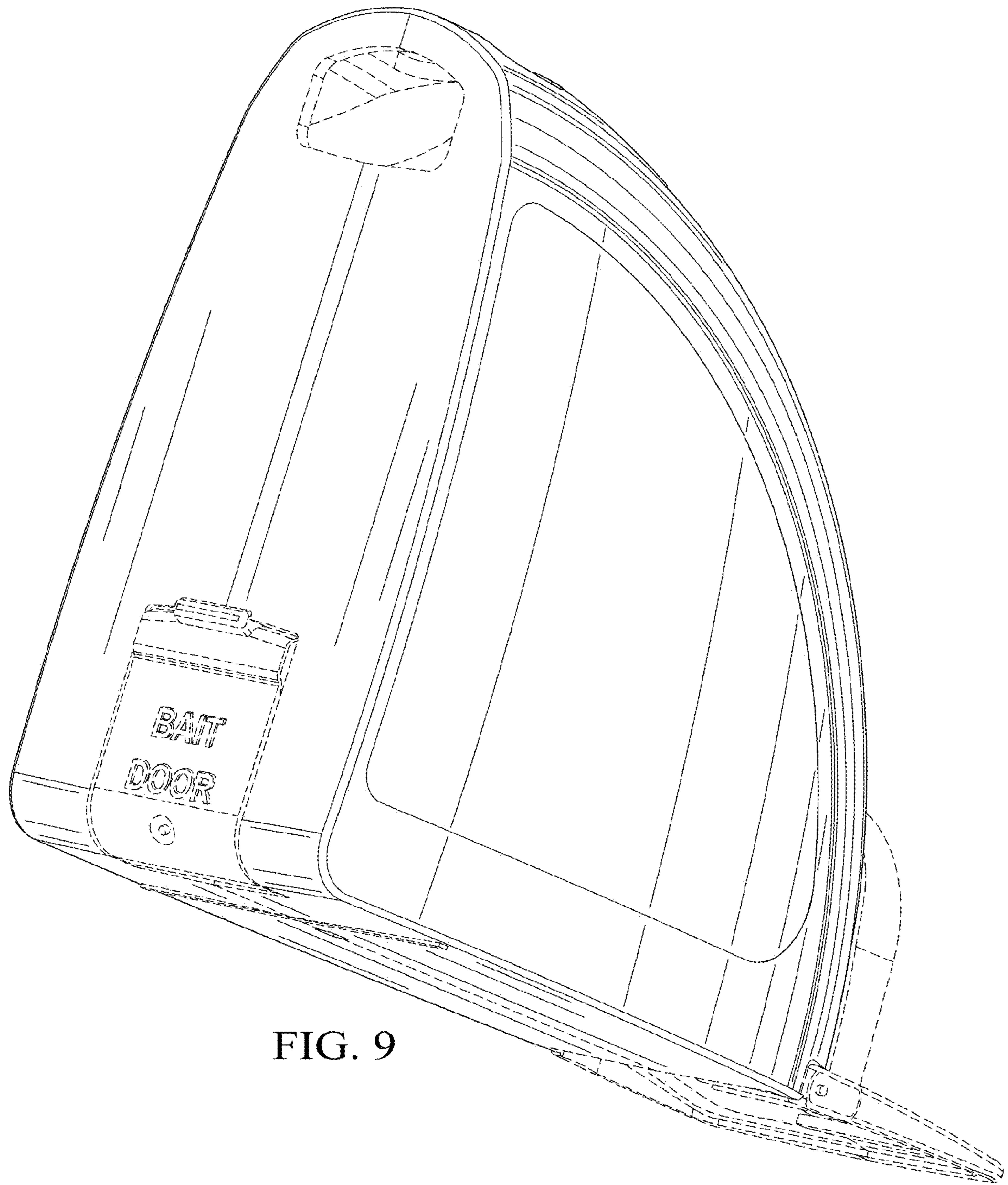


FIG. 9

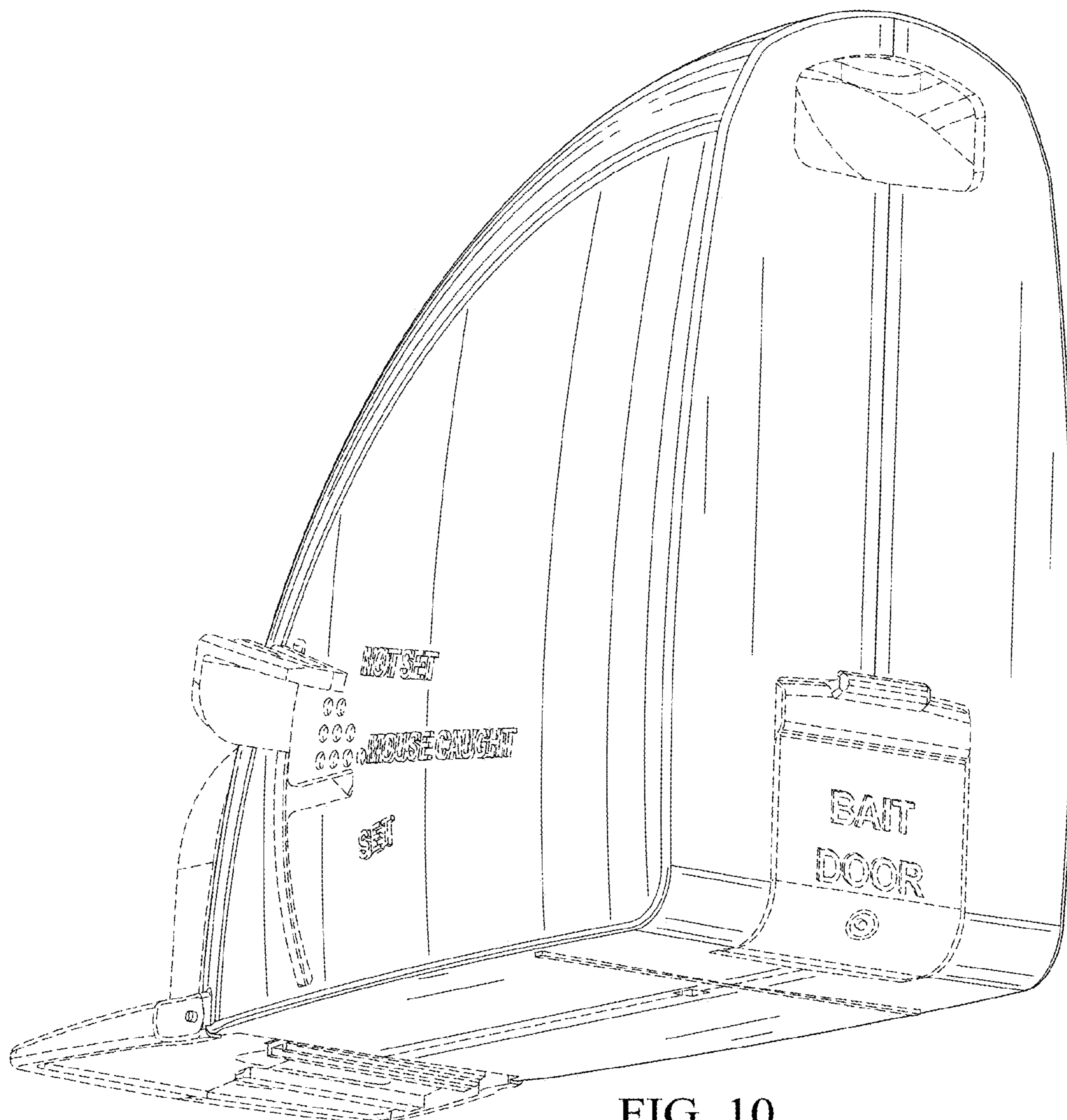


FIG. 10