



US00D956169S

(12) **United States Design Patent**
Tagget et al.

(10) **Patent No.:** **US D956,169 S**

(45) **Date of Patent:** **** Jun. 28, 2022**

(54) **ARROWHEAD BLADE**
(71) Applicants: **Steven Tagget**, Bridgeport, MI (US);
Matthew Tagget, Bridgeport, MI (US)
(72) Inventors: **Steven Tagget**, Bridgeport, MI (US);
Matthew Tagget, Bridgeport, MI (US)

D355,470 S * 2/1995 Lothe D22/115
5,636,846 A * 6/1997 Tinsley F42B 6/08
473/584
6,540,628 B1 * 4/2003 Musacchia, Jr. F42B 6/08
473/583
D583,897 S * 12/2008 Ward D22/107
D847,289 S * 4/2019 Betty D22/107
D847,290 S * 4/2019 Betty D22/107

(**) Term: **15 Years**

(Continued)

(21) Appl. No.: **29/732,217**

OTHER PUBLICATIONS

(22) Filed: **Apr. 22, 2020**

Baxter Bowman. "Best broadhead for elk hunting [Gear Guide]"
Posted: May 21, 2020 [visited: Feb. 16, 2022] Baxter Bowman
URL: <https://www.baxterbowman.com/best-broadhead-for-elk-hunting-gear-guide/> (Year: 2020).*

(51) **LOC (13) Cl.** **22-03**

(52) **U.S. Cl.**
USPC **D22/115**

(Continued)

(58) **Field of Classification Search**
USPC D22/107, 115, 118; D21/571; D28/45,
D28/47; D8/20, 98, 99
CPC F41B 5/148; F41B 5/14; F41B 5/1426;
F41B 5/1442; A63B 71/12; A63B
2244/04; F42B 6/08

Primary Examiner — Marissa J Cash
Assistant Examiner — Jessie Anne E Touart

See application file for complete search history.

(57) **CLAIM**

The ornamental design for an arrowhead blade, as shown and described.

(56) **References Cited**

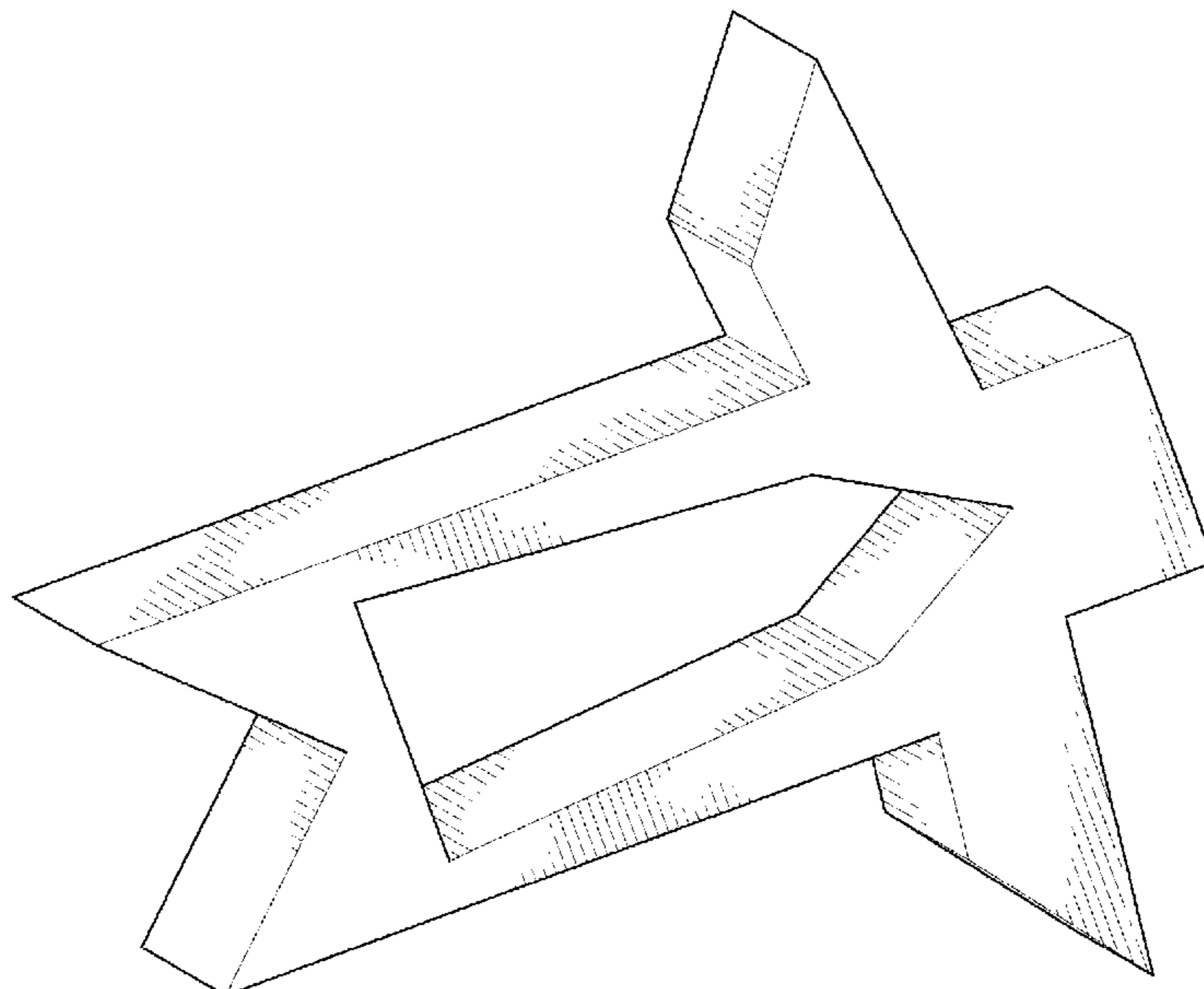
DESCRIPTION

U.S. PATENT DOCUMENTS

2,864,618 A * 12/1958 Schwenk F42B 6/08
473/583
2,909,372 A * 10/1959 Neri F42B 6/08
473/584
4,729,320 A * 3/1988 Whitten, III F42B 12/362
473/577
D314,416 S * 2/1991 Rezmer D22/115
5,160,148 A * 11/1992 Musacchia, Sr. F42B 6/08
30/303
5,224,400 A * 7/1993 Maleski F41B 5/14
81/176.15
D342,984 S * 1/1994 Gusmano D22/115
D351,891 S * 10/1994 Tinsley D22/115
D355,468 S * 2/1995 Lothe D22/115
D355,469 S * 2/1995 Lothe D22/115

FIG. 1 is a three-quarters, isometric view of the back, top, and right side of an arrowhead blade;
FIG. 2 is a full right-side view of the arrowhead blade of FIG. 1;
FIG. 3 is a top plan view of the arrowhead blade of FIG. 1;
FIG. 4 is a bottom plan view of the arrowhead blade of FIG. 1;
FIG. 5 is a full front view of the arrowhead blade of FIG. 1;
FIG. 6 is a full rear view of the arrowhead blade of FIG. 1; and,
FIG. 7 is a three-quarters, isometric view showing the top, front, and the right side of the arrowhead blade of FIG. 1.

1 Claim, 4 Drawing Sheets



(56)

References Cited

U.S. PATENT DOCUMENTS

10,401,118 B2 * 9/2019 Donahoe F41B 5/1403
11,002,522 B1 * 5/2021 Tagget F42B 6/08
2004/0142778 A1 * 7/2004 Mizek F42B 6/08
473/583
2007/0037640 A1 * 2/2007 Rager F42B 6/08
473/578
2008/0261734 A1 * 10/2008 Cooper F42B 6/08
473/584
2015/0094175 A1 * 4/2015 Sullivan F42B 12/34
473/583

OTHER PUBLICATIONS

Missarchery. "Muzzy Archery Practice Broadhead Blades" Oldest
Revision Feb. 8, 2021 [visited: Feb. 16, 2021] ebay URL: [https://
www.ebay.com/itm/294002811447?var=592700536337&mkevt=1
&mkcid=1&mkrid=711-53200-19255-0&campid=5338722076
&customid=&toolid=10050](https://www.ebay.com/itm/294002811447?var=592700536337&mkevt=1&mkcid=1&mkrid=711-53200-19255-0&campid=5338722076&customid=&toolid=10050) (Year: 2021).*

* cited by examiner

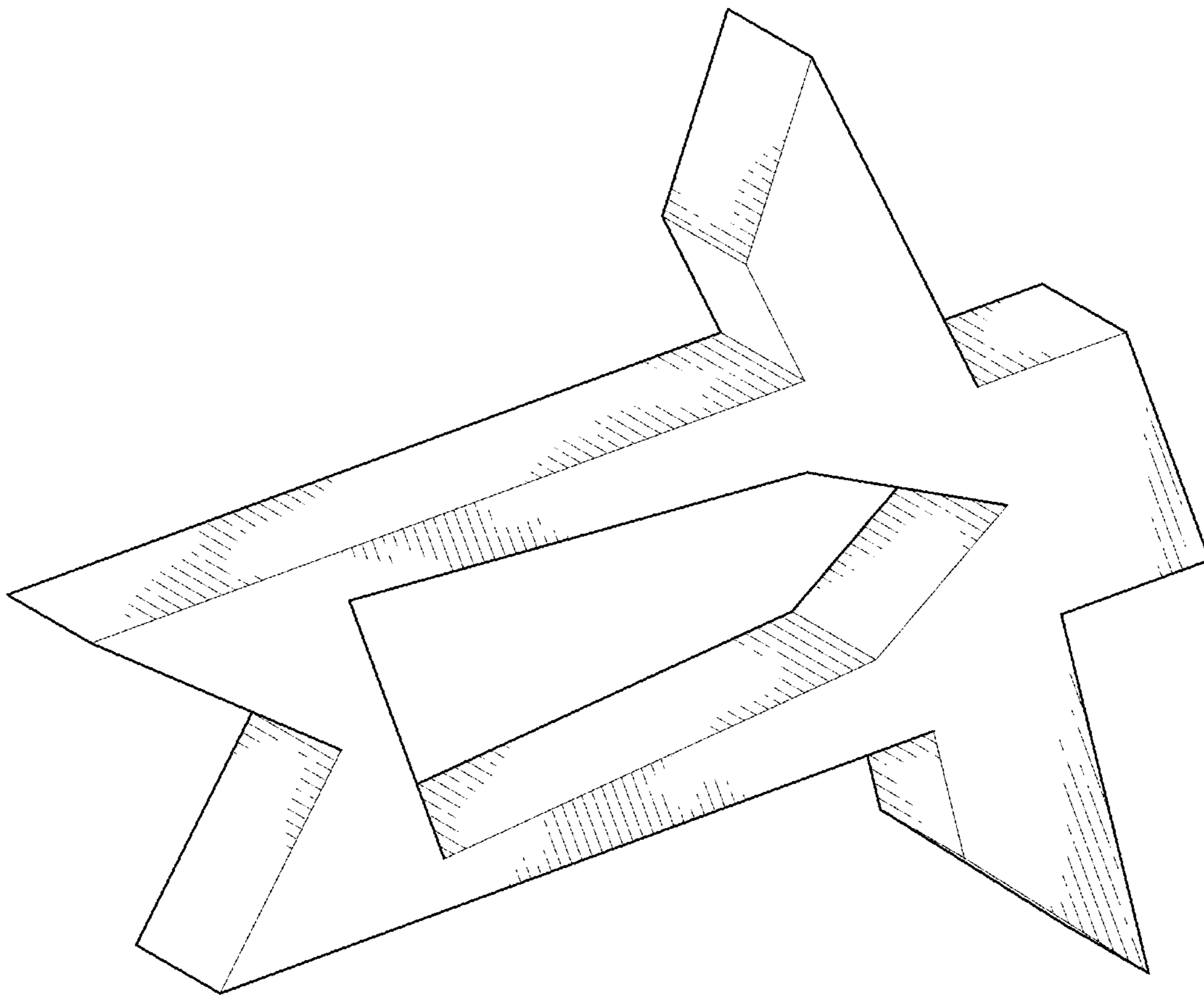


FIG. 1

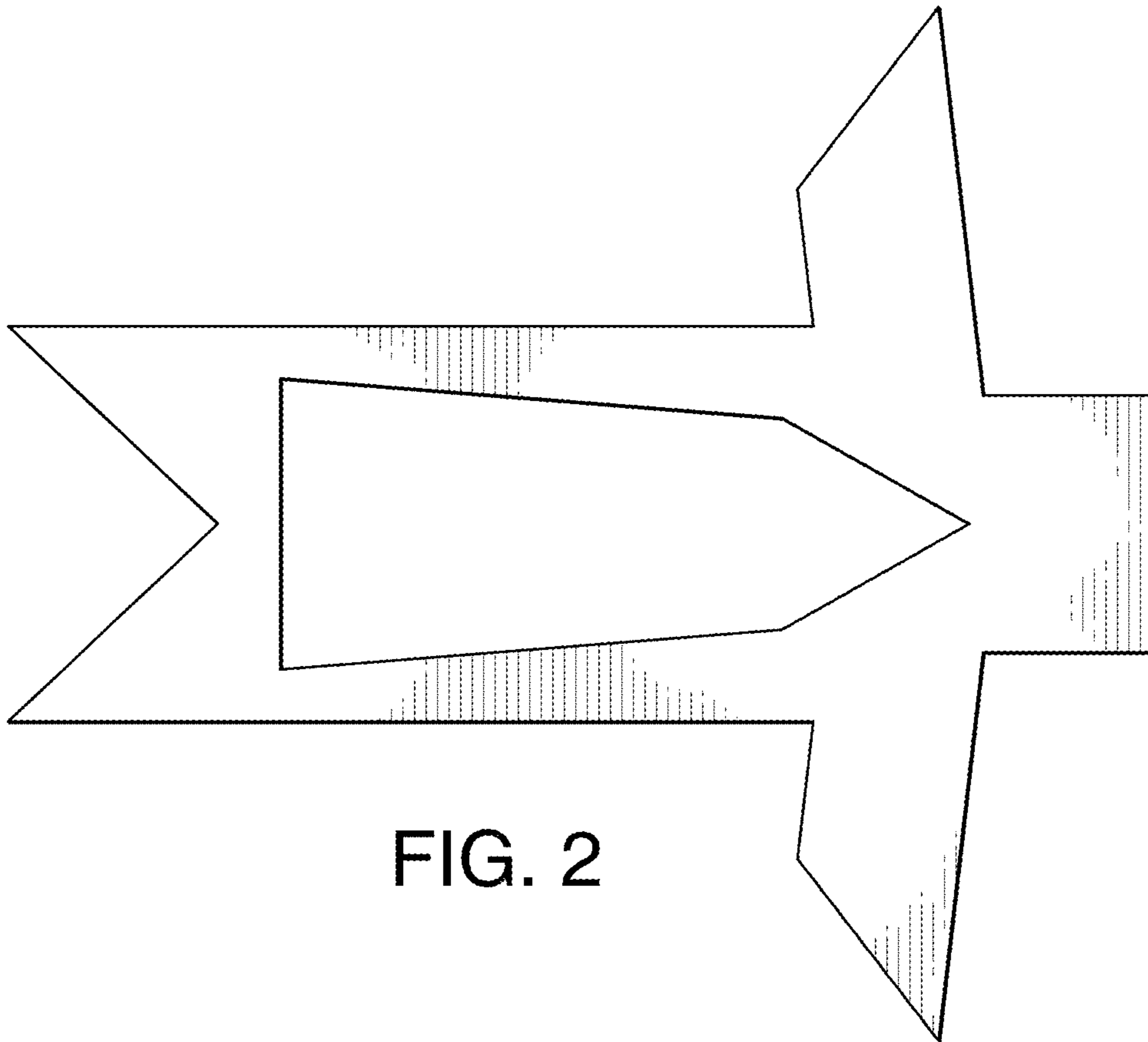


FIG. 2

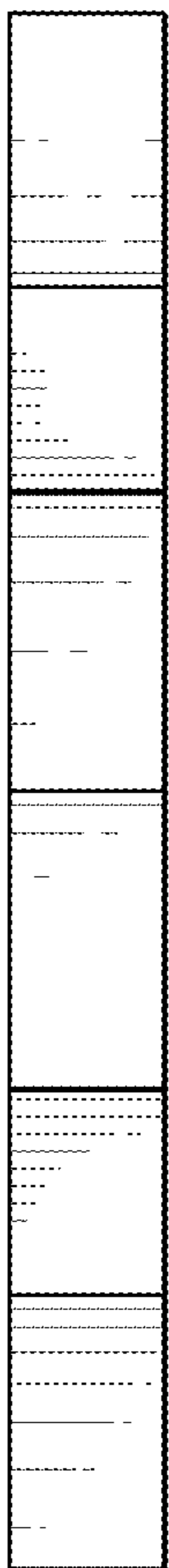


FIG. 3

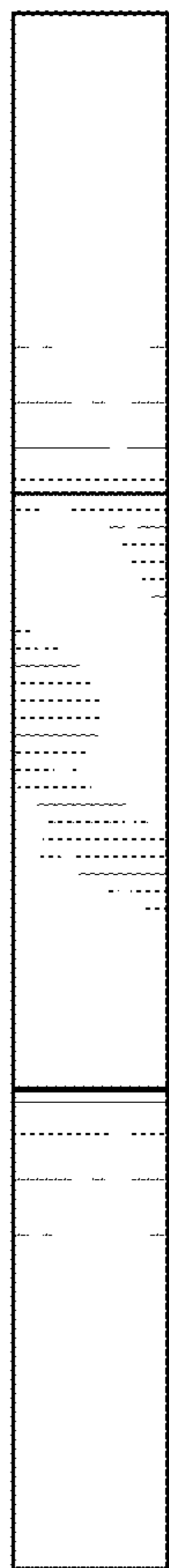


FIG. 4

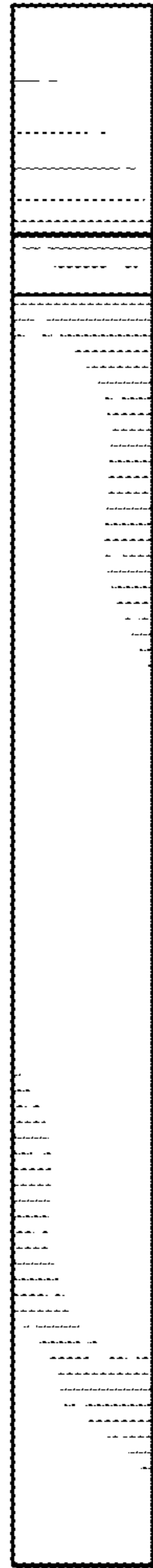


FIG. 5



FIG. 6

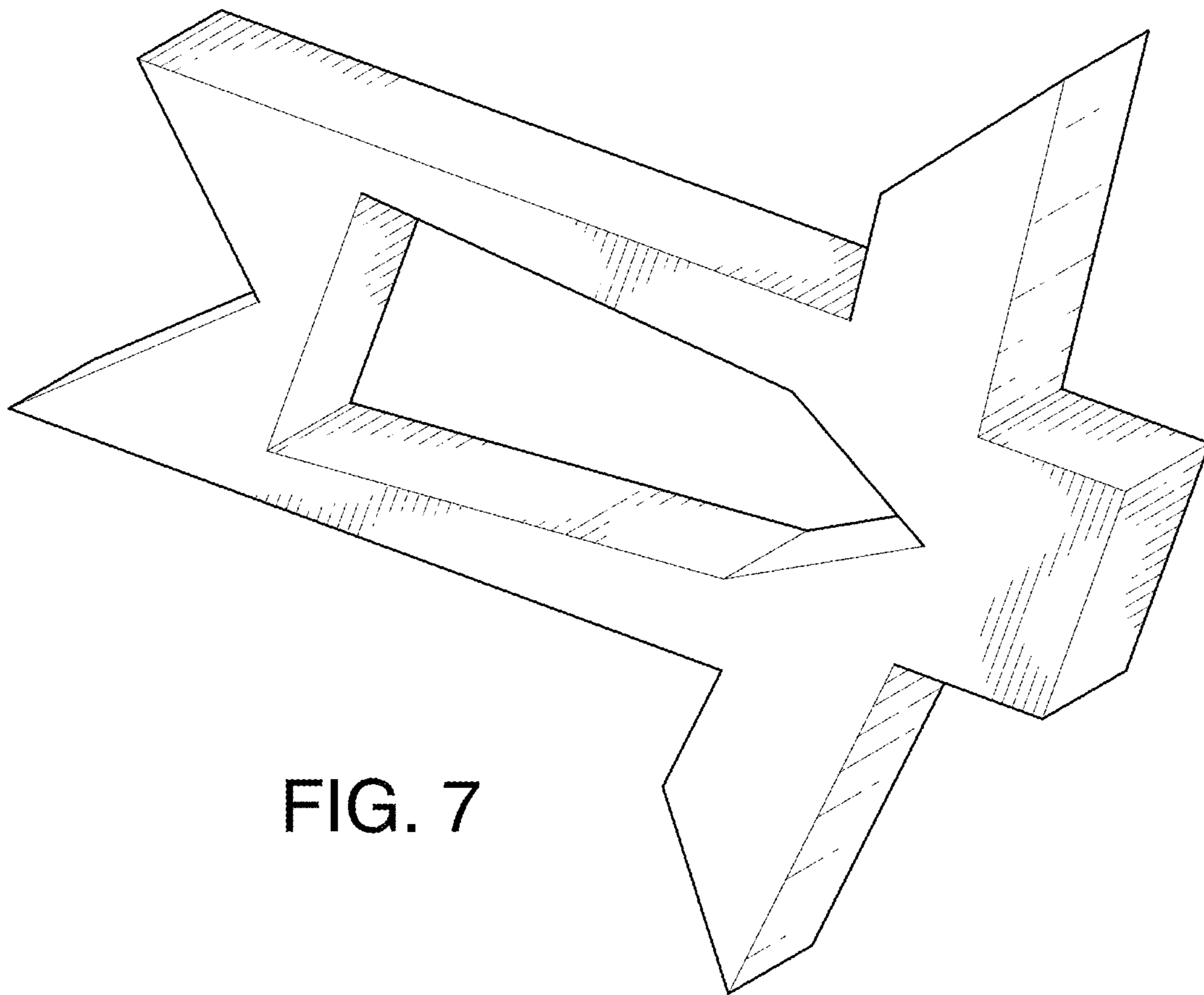


FIG. 7