



US00D956168S

(12) **United States Design Patent**  
**Tagget et al.**

(10) **Patent No.:** **US D956,168 S**  
(45) **Date of Patent:** **\*\* Jun. 28, 2022**

(54) **ARROWHEAD BLADE**  
(71) Applicants: **Steven Tagget**, Bridgeport, MI (US);  
**Matthew Tagget**, Bridgeport, MI (US)  
(72) Inventors: **Steven Tagget**, Bridgeport, MI (US);  
**Matthew Tagget**, Bridgeport, MI (US)

D355,470 S \* 2/1995 Lothe ..... D22/115  
5,636,846 A \* 6/1997 Tinsley ..... F42B 6/08  
473/584  
6,540,628 B1 \* 4/2003 Musacchia, Jr. .... F42B 6/08  
473/583  
D583,897 S \* 12/2008 Ward ..... D22/107  
D847,289 S \* 4/2019 Betty ..... D22/107  
D847,290 S \* 4/2019 Betty ..... D22/107

(\*\*) Term: **15 Years**

(Continued)

(21) Appl. No.: **29/732,213**

**OTHER PUBLICATIONS**

(22) Filed: **Apr. 22, 2020**

Baxter Bowman. "Best broadhead for elk hunting [Gear Guide]"  
Posted: May 21, 2020 [visited: Feb. 16, 2022] Baxter Bowman  
URL: <https://www.baxterbowman.com/best-broadhead-for-elk-hunting-gear-guide/> (Year: 2020).\*

(51) **LOC (13) Cl.** ..... **22-03**

(52) **U.S. Cl.**  
USPC ..... **D22/115**

(Continued)

(58) **Field of Classification Search**  
USPC ..... D22/107, 115, 118; D21/571; D28/45,  
D28/47; D8/20, 98, 99  
CPC ..... F41B 5/148; F41B 5/14; F41B 5/1426;  
F41B 5/1442; A63B 71/12; A63B  
2244/04; F42B 6/08

*Primary Examiner* — Marissa J Cash  
*Assistant Examiner* — Jessie Anne E Touart

See application file for complete search history.

(57) **CLAIM**

The ornamental design for an arrowhead blade, as shown and described.

(56) **References Cited**

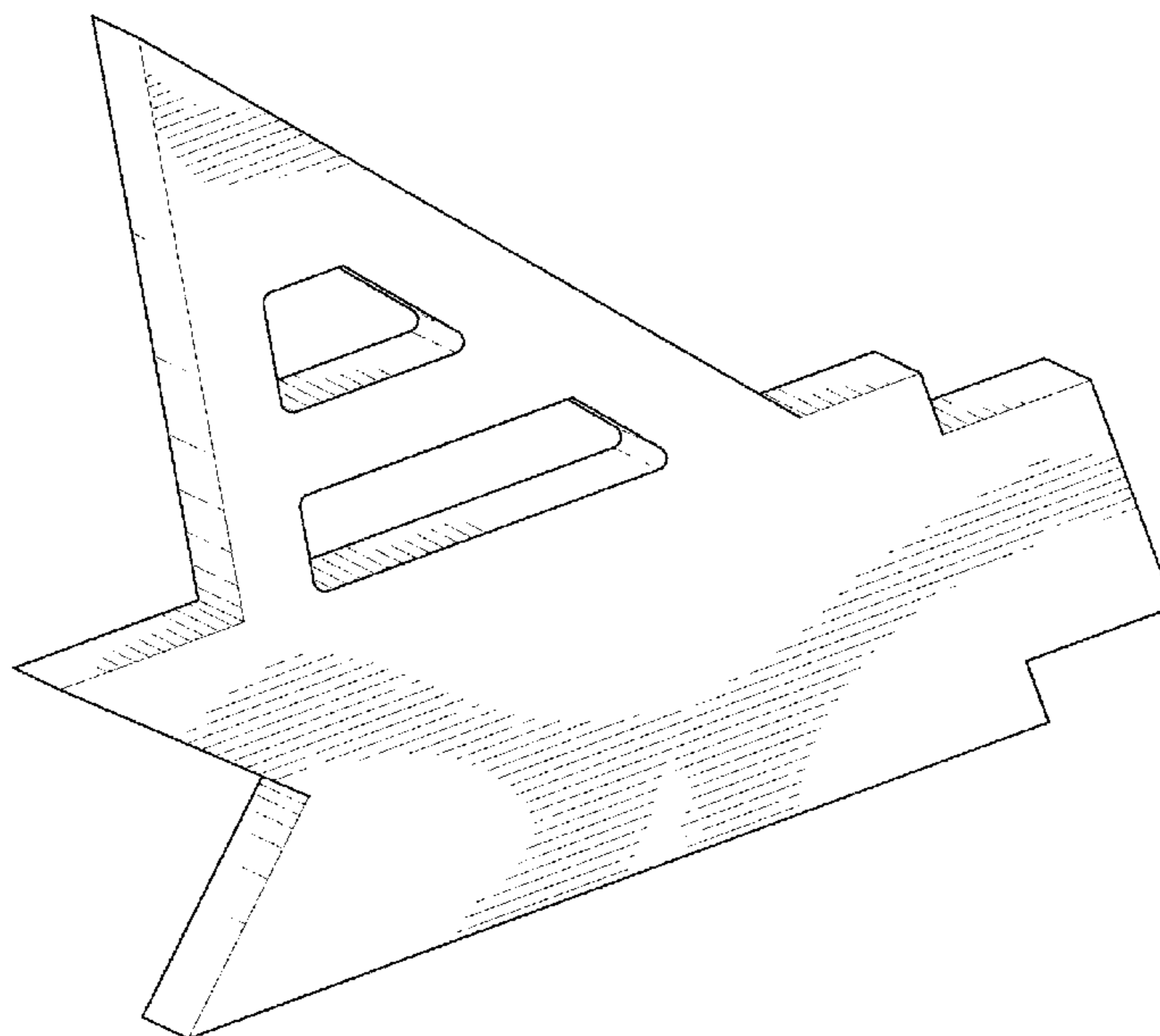
**DESCRIPTION**

**U.S. PATENT DOCUMENTS**

2,864,618 A \* 12/1958 Schwenk ..... F42B 6/08  
473/583  
2,909,372 A \* 10/1959 Neri ..... F42B 6/08  
473/584  
4,729,320 A \* 3/1988 Whitten, III ..... F42B 12/362  
473/577  
D314,416 S \* 2/1991 Rezmer ..... D22/115  
5,160,148 A \* 11/1992 Musacchia, Sr. .... F42B 6/08  
30/303  
5,224,400 A \* 7/1993 Maleski ..... F41B 5/14  
81/176.15  
D342,984 S \* 1/1994 Gusmano ..... D22/115  
D351,891 S \* 10/1994 Tinsley ..... D22/115  
D355,468 S \* 2/1995 Lothe ..... D22/115  
D355,469 S \* 2/1995 Lothe ..... D22/115

FIG. 1 is a three-quarters, isometric view of the back, top, and right side of an arrowhead blade;  
FIG. 2 is a full right-side view of the arrowhead blade of FIG. 1;  
FIG. 3 is a top plan view of the arrowhead blade of FIG. 1;  
FIG. 4 is a bottom plan view of the arrowhead blade of FIG. 1;  
FIG. 5 is a full front view of the arrowhead blade of FIG. 1;  
FIG. 6 is a full rear view of the arrowhead blade of FIG. 1; and,  
FIG. 7 is a three-quarters, isometric view showing the top, front, and the right side of the arrowhead blade of FIG. 1.

**1 Claim, 4 Drawing Sheets**



(56)

**References Cited**

U.S. PATENT DOCUMENTS

10,401,118 B2 \* 9/2019 Donahoe ..... F41B 5/1403  
11,002,522 B1 \* 5/2021 Tagget ..... F42B 6/08  
2004/0142778 A1 \* 7/2004 Mizek ..... F42B 6/08  
473/583  
2007/0037640 A1 \* 2/2007 Rager ..... F42B 6/08  
473/578  
2008/0261734 A1 \* 10/2008 Cooper ..... F42B 6/08  
473/584  
2015/0094175 A1 \* 4/2015 Sullivan ..... F42B 12/34  
473/583

OTHER PUBLICATIONS

Missarchery. "Muzzy Archery Practice Broadhead Blades" Oldest  
Revision Feb. 8, 2021 [visited: Feb. 16, 2021] ebay URL: [https://  
www.ebay.com/itm/294002811447?var=592700536337&mkevt=1  
&mkcid=1&mkrid=711-53200-19255-0&campid=5338722076  
&customid=&toolid=10050](https://www.ebay.com/itm/294002811447?var=592700536337&mkevt=1&mkcid=1&mkrid=711-53200-19255-0&campid=5338722076&customid=&toolid=10050) (Year: 2021).\*

\* cited by examiner

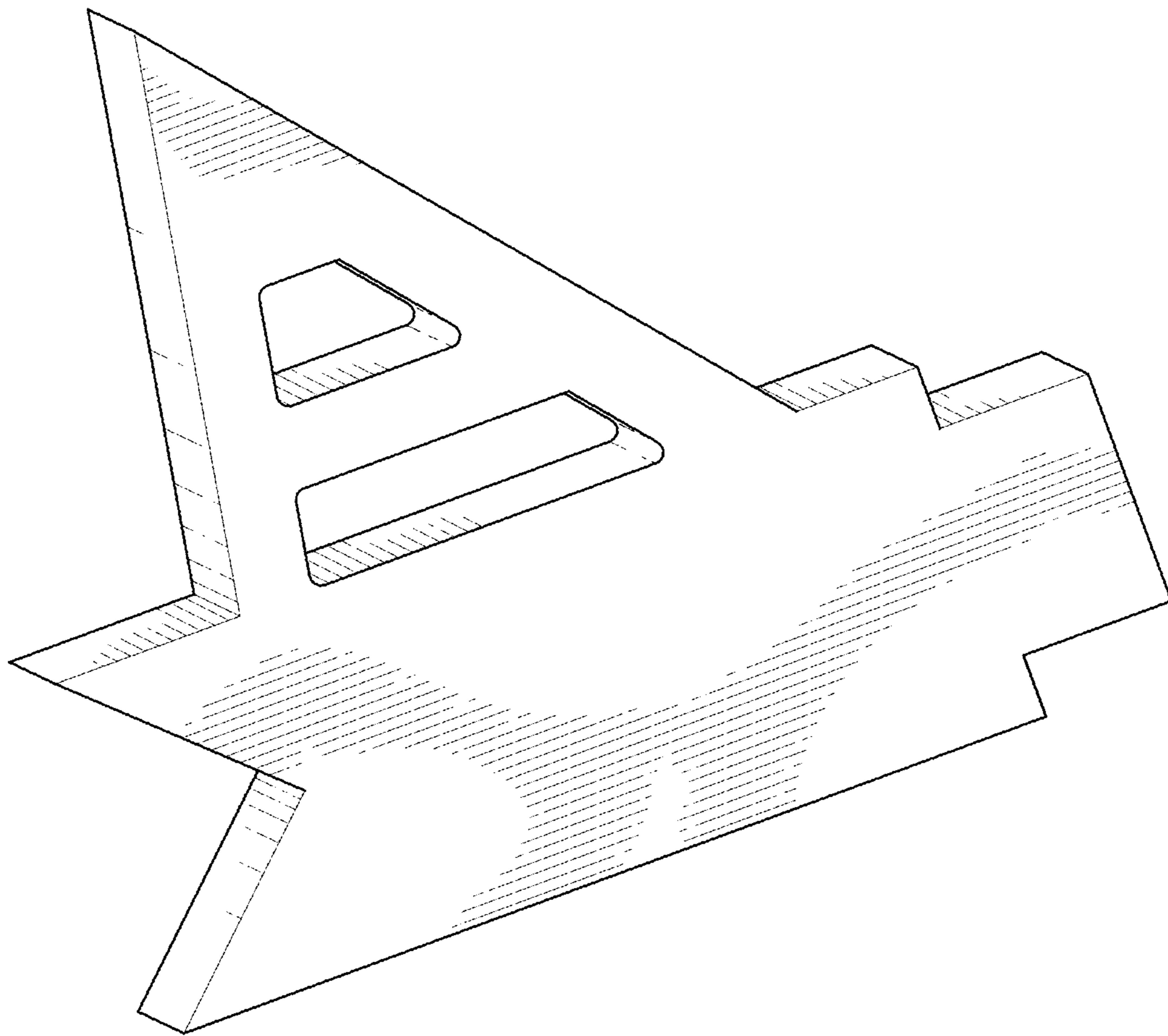


FIG. 1

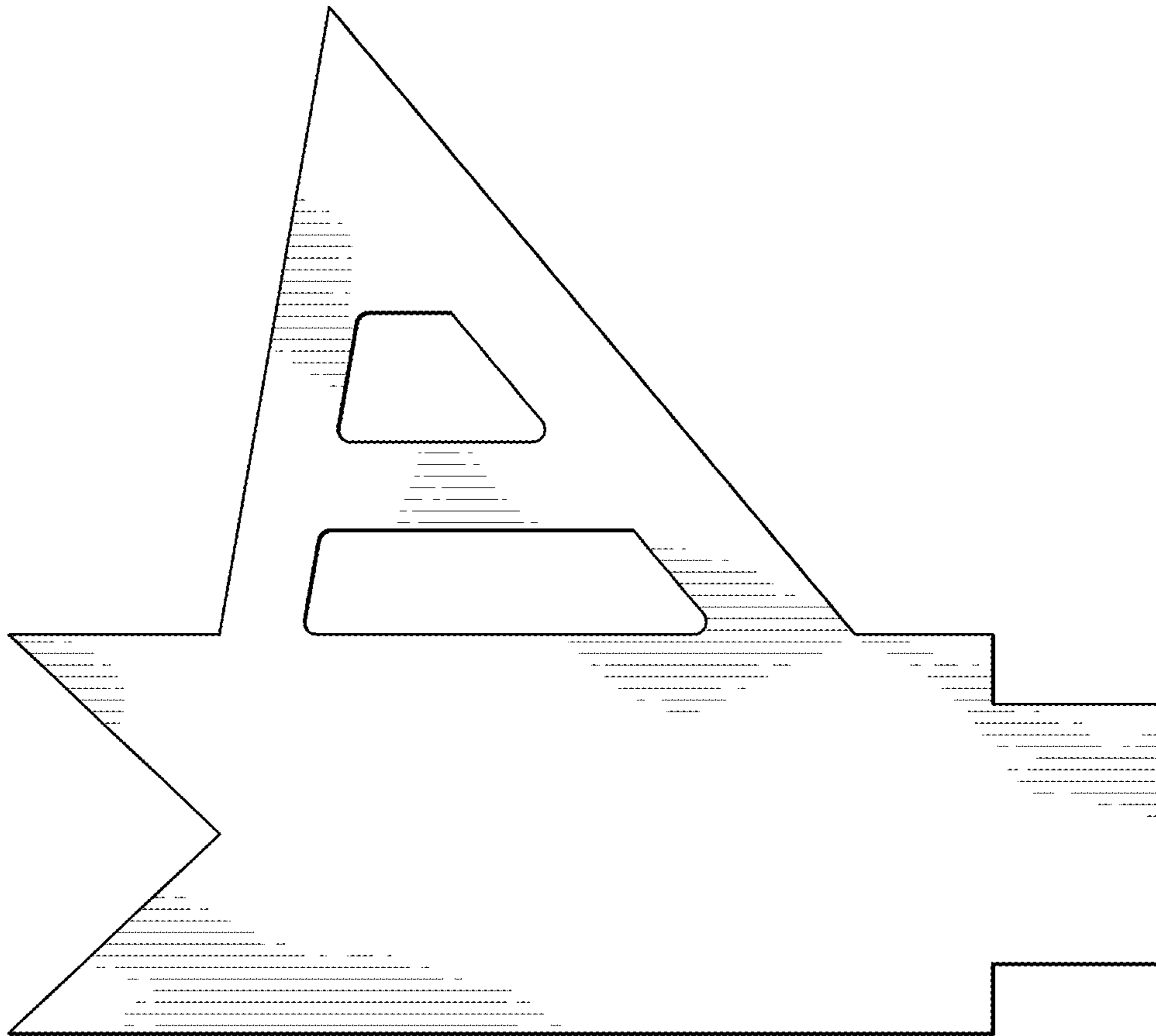


FIG. 2

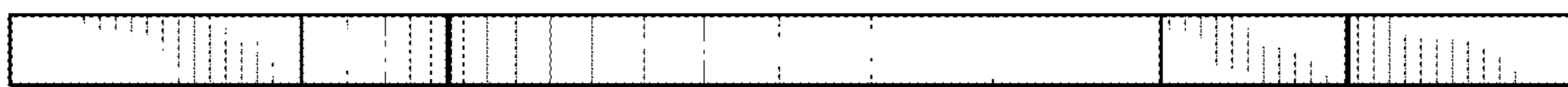


FIG. 3



FIG. 4



FIG. 5



FIG. 6

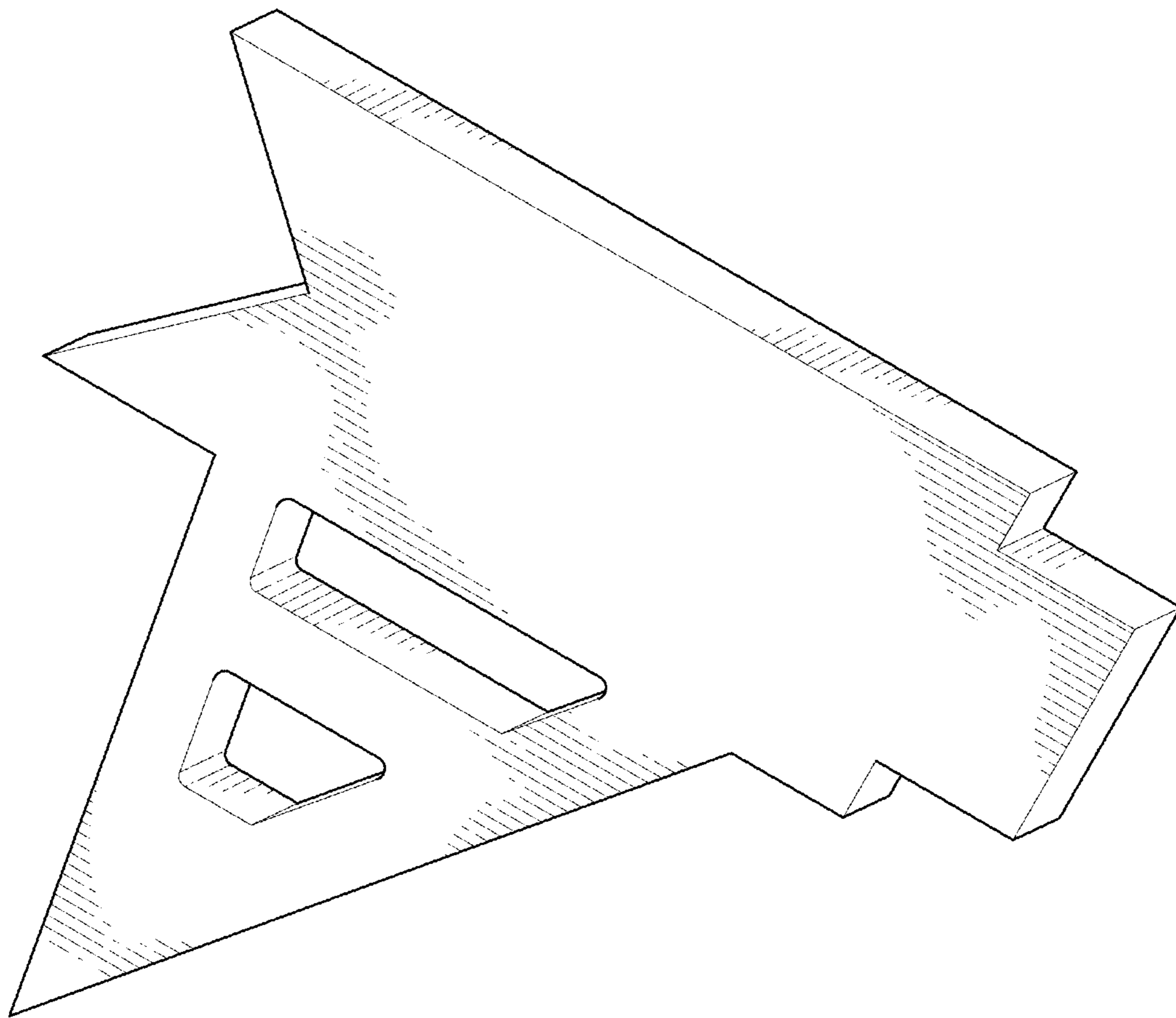


FIG. 7