



US00D956167S

(12) **United States Design Patent**
Xu

(10) **Patent No.:** **US D956,167 S**
(45) **Date of Patent:** **** Jun. 28, 2022**

(54) **MAGNETIC GUN MOUNT WITH TRIGGER GUARD**

(71) Applicant: **Ye Xu**, Sugar Land, TX (US)

(72) Inventor: **Ye Xu**, Sugar Land, TX (US)

(**) Term: **15 Years**

(21) Appl. No.: **29/781,349**

(22) Filed: **Apr. 29, 2021**

(51) **LOC (13) Cl.** **22-01**

(52) **U.S. Cl.**

USPC **D22/110**; D22/108

(58) **Field of Classification Search**

USPC D22/108, 109, 110; D3/218

CPC F41A 21/488; F41G 11/005

See application file for complete search history.

(56) **References Cited**

U.S. PATENT DOCUMENTS

4,949,559	A	8/1990	Glines	
D359,616	S *	6/1995	Ishibashi	D3/218
D414,835	S *	10/1999	Otteman	D22/100
D611,558	S	3/2010	Freeman	
D637,261	S *	5/2011	Swan	D22/109
9,326,587	B2 *	5/2016	Gronewoller	H04B 1/3888
D763,599	S	8/2016	Vinson	
D907,738	S *	1/2021	Fischer	D22/108
D908,832	S	1/2021	Qian	
D925,689	S *	7/2021	He	D22/108
D926,283	S *	7/2021	Wang	D22/108
D938,542	S *	12/2021	Stranden	D22/108
2016/0169607	A1	6/2016	Rahman	
2021/0063108	A1	3/2021	Parsons	

OTHER PUBLICATIONS

Amazon website, Stinger safety trigger guard protection magnetic gun holder, Date first available on Amazon Dec. 1, 2021, [site

visited Jan. 23, 2022], Available on the Internet URL <https://www.amazon.com/STINGER-Trigger-Protection-Magnetic-Revolver/dp/B07PPLKPFW> (Year: 2021).*

Stinger website, Magnetic Gun Mount with Safety Trigger Guard Protection, Publication date unknown, [site visited Jan. 23, 2022], Available on the Internet URL <https://thestingertools.com/products/stinger-magnetic-gun-mount-with-safety-trigger-guard-protection> (Year: 2022).*

Attivo Magnet Gun Mount, Quick Draw Magnetic Pistol Mount Indoor Small Firearms Holster for Home, Vehicle, Truck and Desk, amazon.com.

Linknown Gun Magnet & Magnetic Gun Mount, amazon.com.

* cited by examiner

Primary Examiner — S. Bryan Reinholdt, Jr.

(74) *Attorney, Agent, or Firm* — Benjamin Aaron Adler

(57) **CLAIM**

The ornamental design for a magnetic gun mount with trigger guard, as shown and described.

DESCRIPTION

FIG. 1 is a front, top and right side perspective view of the magnetic gun mount with trigger guard showing my new design in which the front, top and left side perspective view is a mirror image of the front, top and right side perspective view.

FIG. 2 is a front view thereof.

FIG. 3 is a back view thereof.

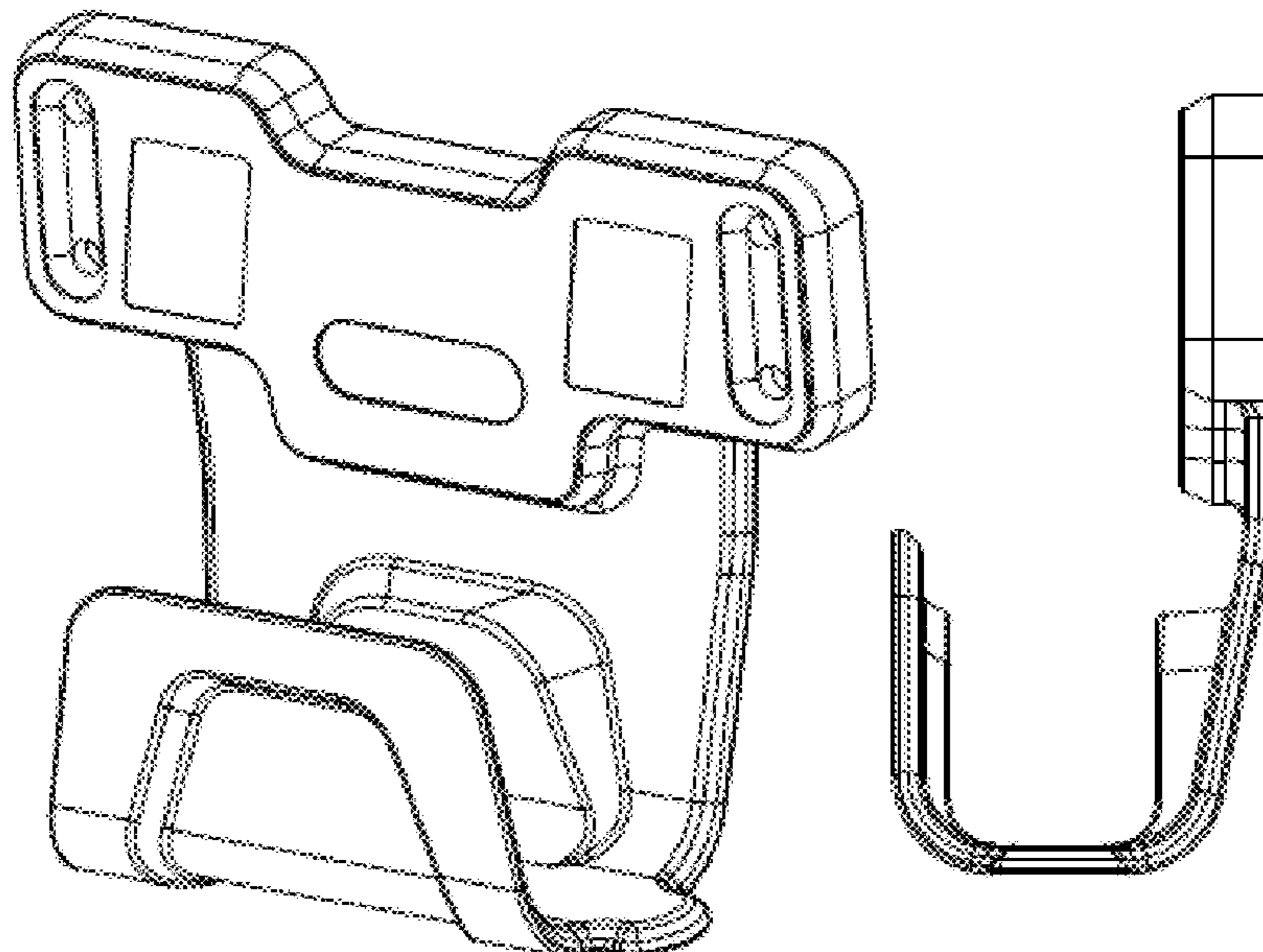
FIG. 4 is a right side view thereof, in which the left side view is a mirror image of the right side view.

FIG. 5 is a top view thereof; and,

FIG. 6 is a bottom view thereof.

The broken lines in the drawings depict portions of the magnetic gun mount with trigger guard that form no part of the claimed design.

1 Claim, 4 Drawing Sheets



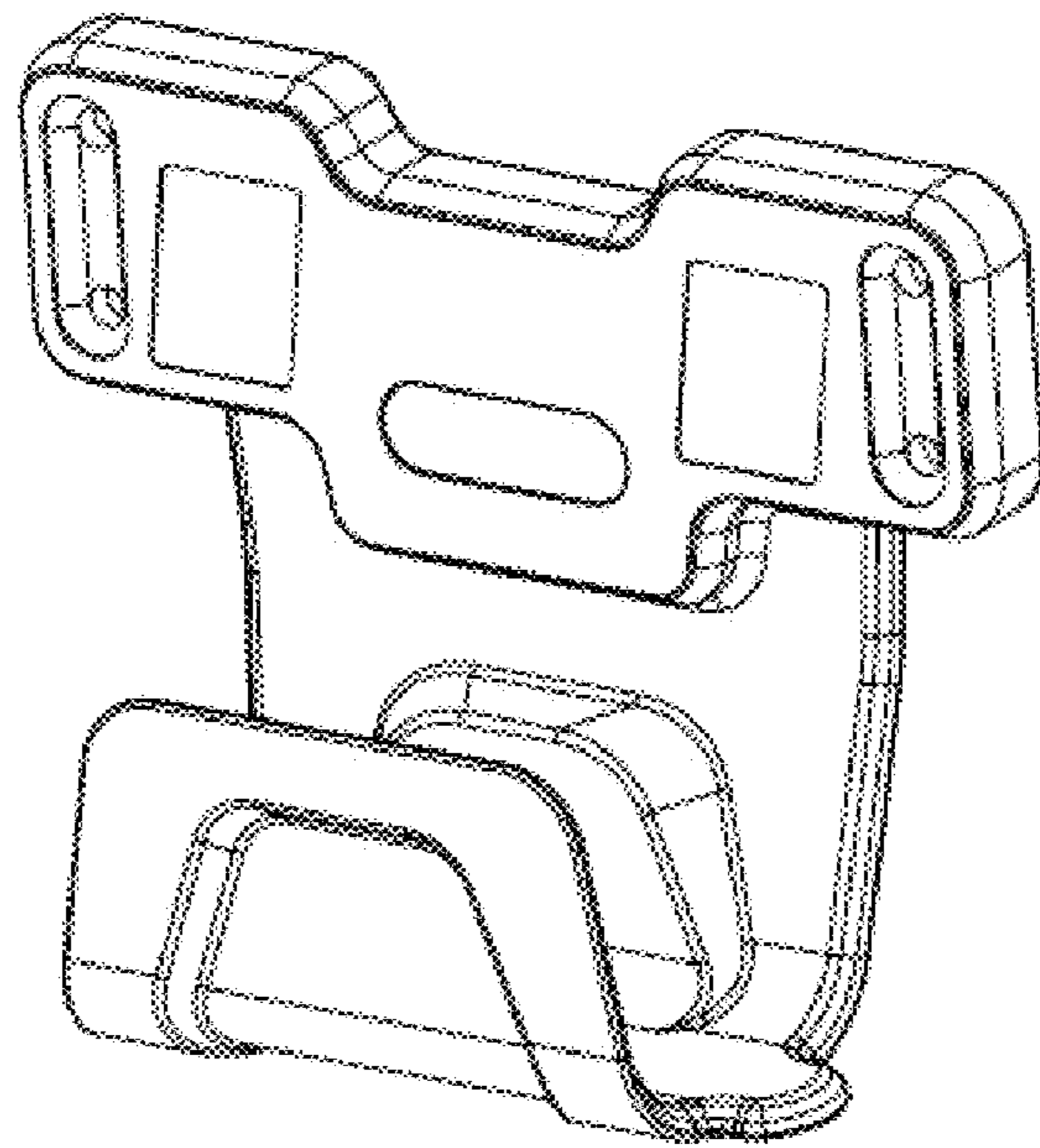


FIG. 1

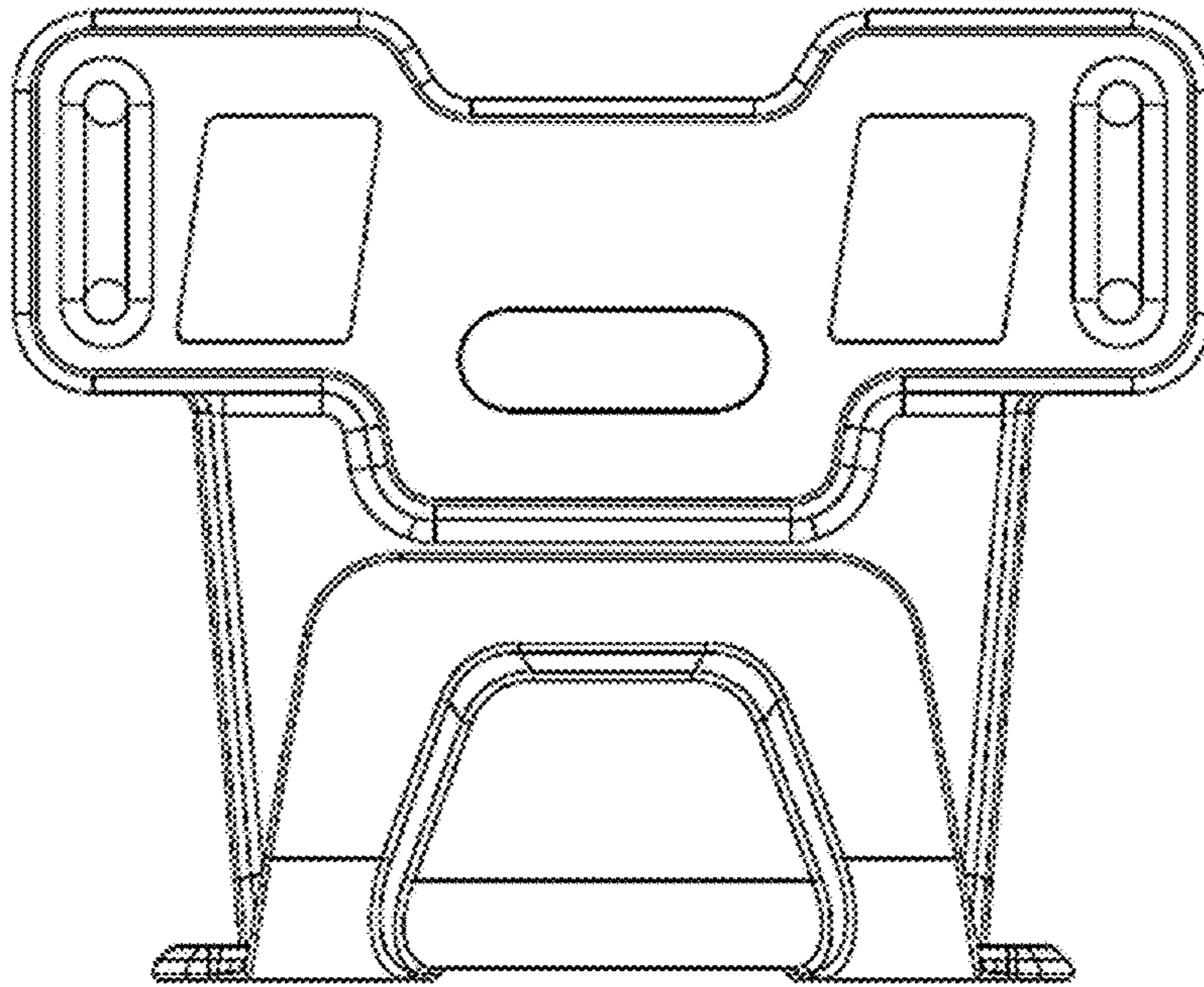


FIG. 2

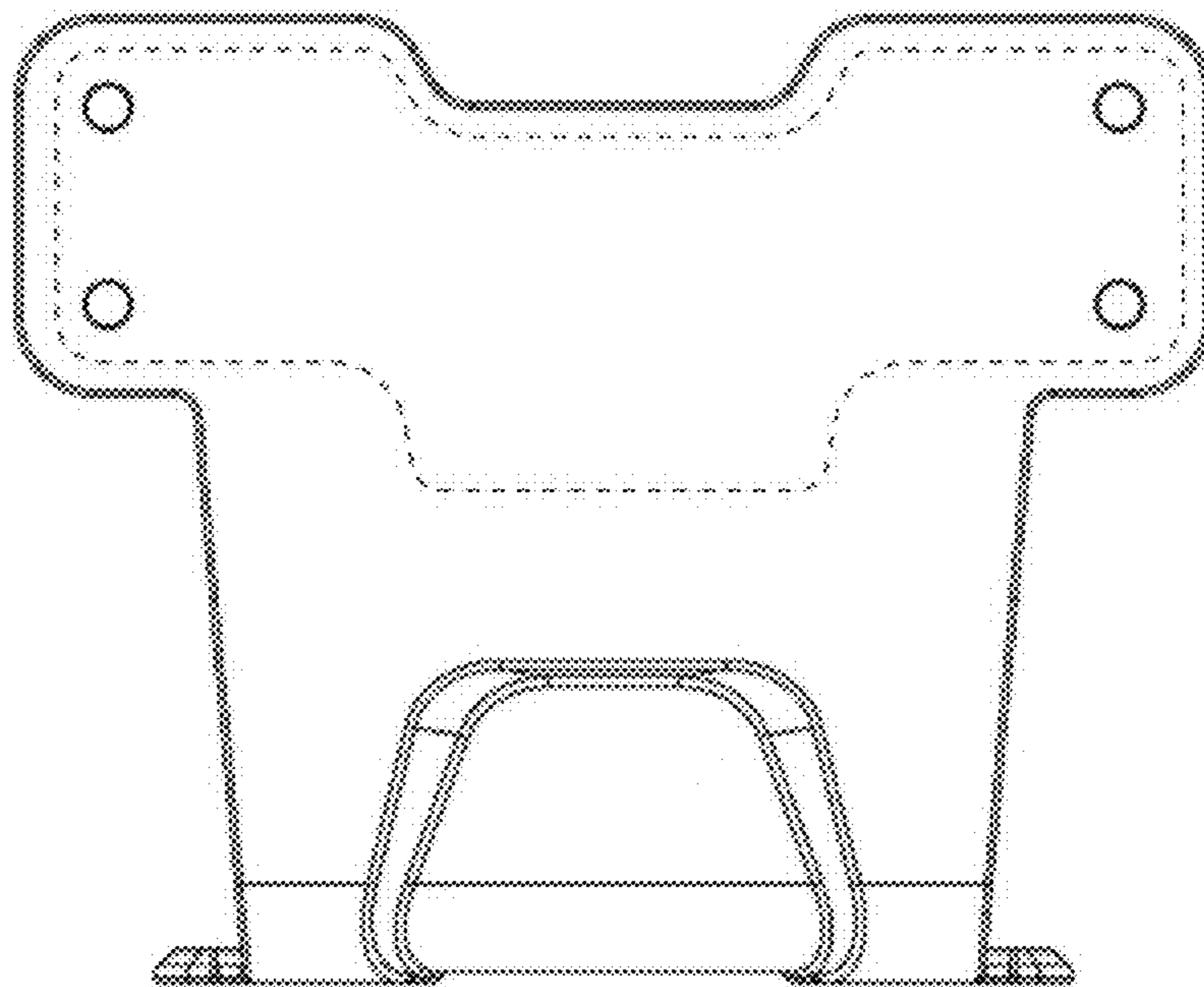


FIG. 3

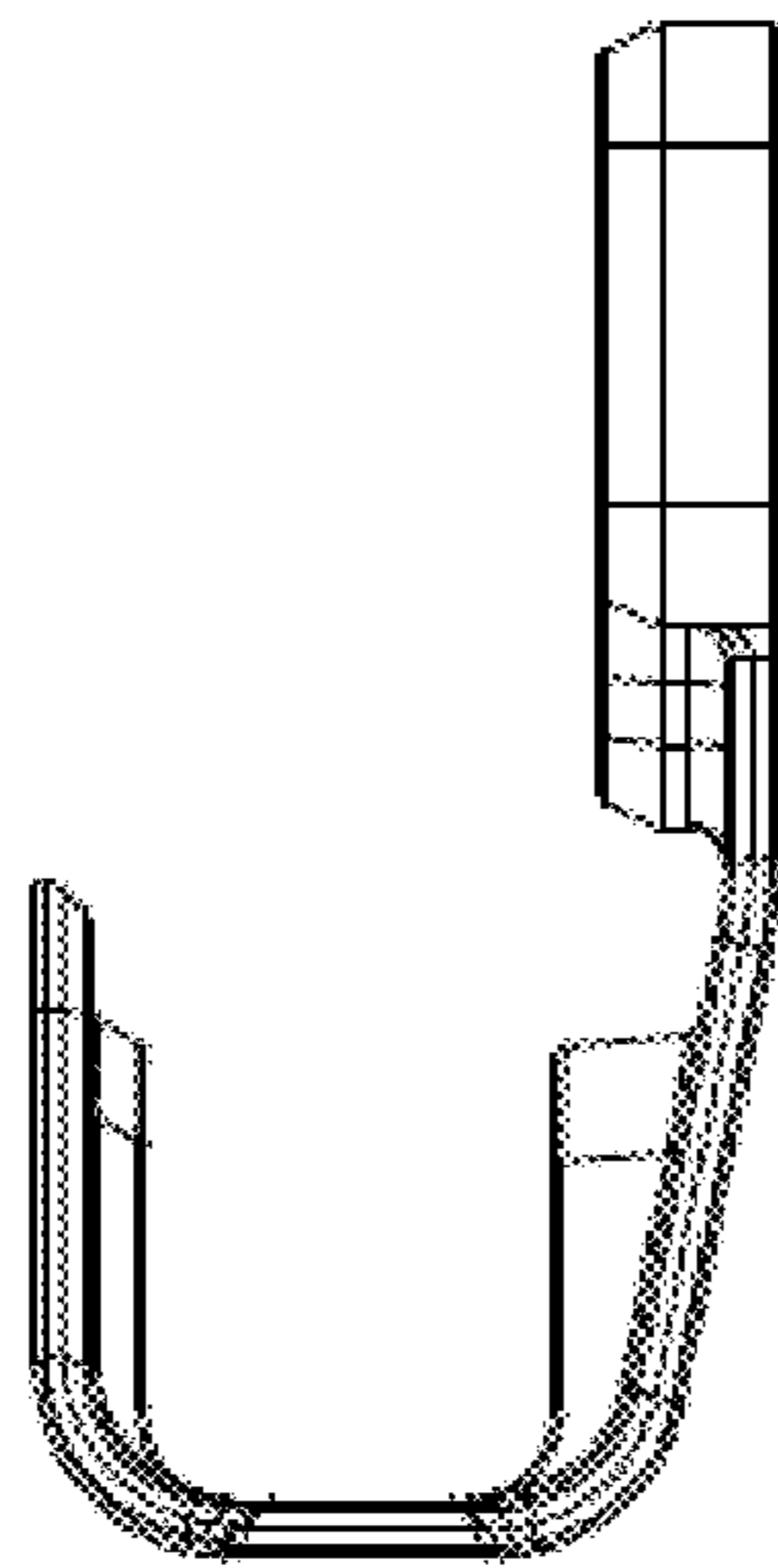


FIG. 4

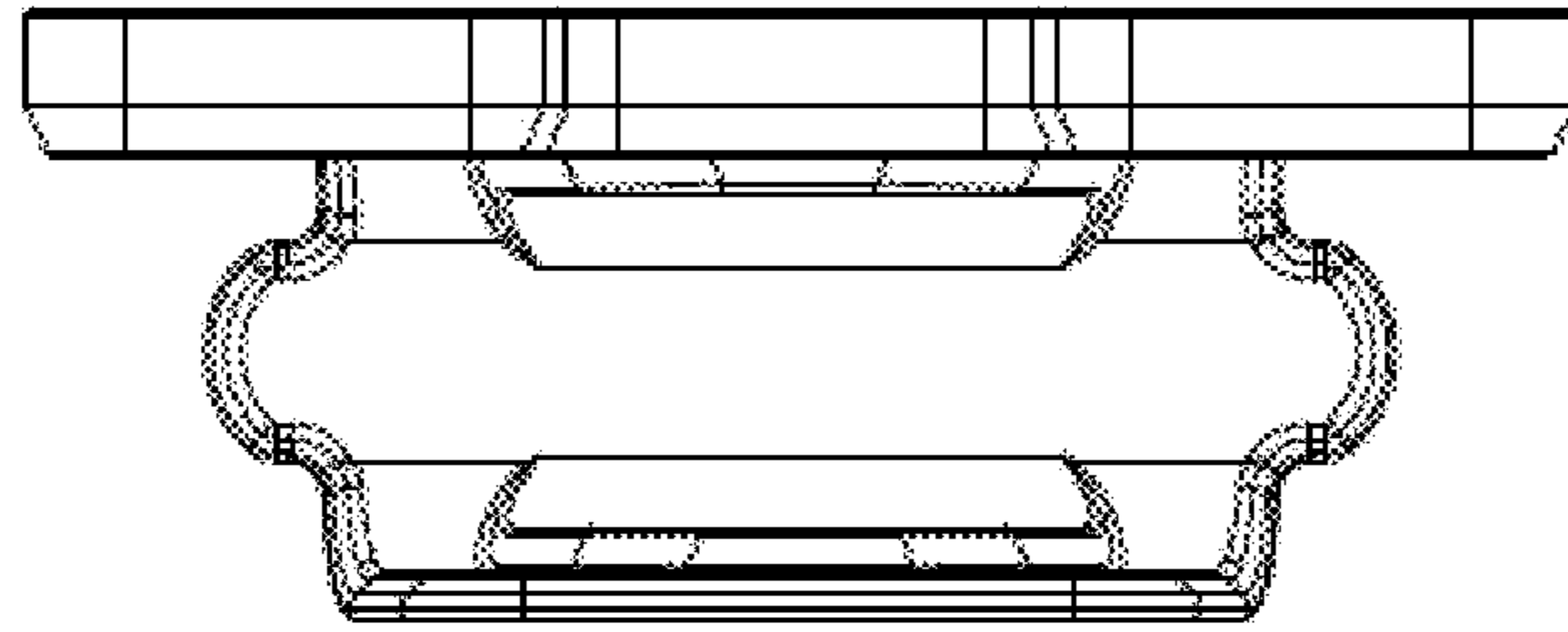


FIG. 5

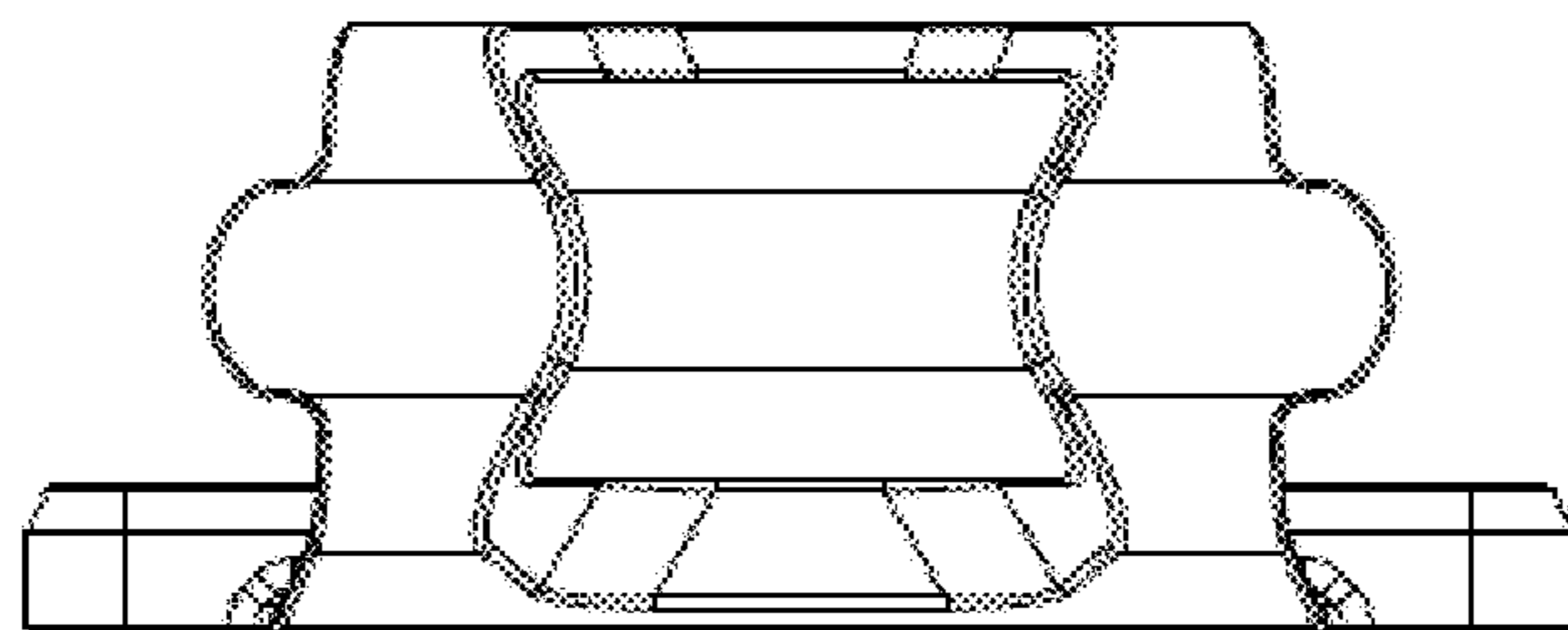


FIG. 6