



US00D956164S

(12) **United States Design Patent**
Barsoumian

(10) **Patent No.:** **US D956,164 S**

(45) **Date of Patent:** **** Jun. 28, 2022**

(54) **PICATINNY RAIL**

(71) Applicant: **Arsenal, Inc.**, Las Vegas, NV (US)

(72) Inventor: **Vartan Barsoumian**, Las Vegas, NV (US)

(**) Term: **15 Years**

(21) Appl. No.: **29/721,883**

(22) Filed: **Jan. 23, 2020**

(51) **LOC (13) Cl.** **22-01**

(52) **U.S. Cl.**
USPC **D22/108**

(58) **Field of Classification Search**
USPC D22/103, 108; D21/570-573; D8/68
CPC F41C 23/10; F41C 23/14; F41C 23/16;
F41C 23/18
See application file for complete search history.

(56) **References Cited**

U.S. PATENT DOCUMENTS

D676,095 S *	2/2013	Peterson	D22/108
D725,223 S *	3/2015	Heidkamp	D22/109
D726,864 S *	4/2015	Huang, Sr.	D22/108
D737,923 S *	9/2015	Norberg	D22/108
D737,925 S *	9/2015	Norberg	D22/109

D768,256 S *	10/2016	Bentley	D22/108
D802,077 S *	11/2017	Geissele	D22/109
D822,143 S *	7/2018	Alldredge	D22/109
D824,482 S *	7/2018	Geissele	D22/110
D828,480 S *	9/2018	Hiler, Jr	D22/108
2005/0241210 A1 *	11/2005	Karcher	F41G 1/40 42/119
2018/0266789 A1 *	9/2018	Schatz	F41C 23/16

* cited by examiner

Primary Examiner — Michael A. Pratt

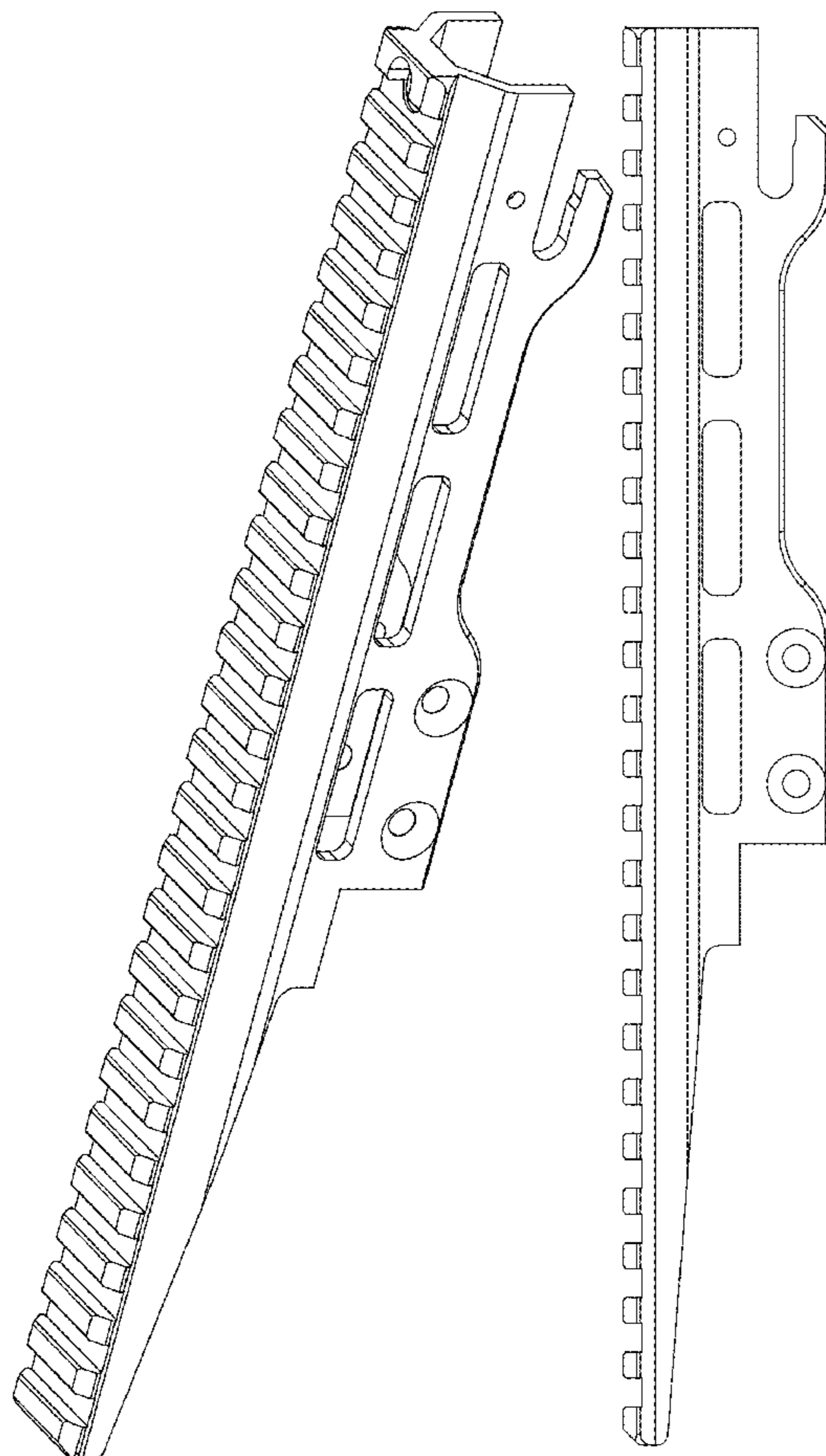
(57) **CLAIM**

The ornamental design for a picatinny rail, as shown and described.

DESCRIPTION

FIG. 1 is a perspective view of the picatinny rail of the invention;
 FIG. 2 is a top view of the picatinny rail shown in FIG. 1;
 FIG. 3 is a bottom view of the picatinny rail shown in FIG. 1;
 FIG. 4 is a right side view of the picatinny rail shown in FIG. 1;
 FIG. 5 is a left side view of the picatinny rail shown in FIG. 1; and
 FIG. 6 is front view of the picatinny rail shown in FIG. 1; and,
 FIG. 7 is a rear view of the picatinny rail shown in FIG. 1.

1 Claim, 4 Drawing Sheets



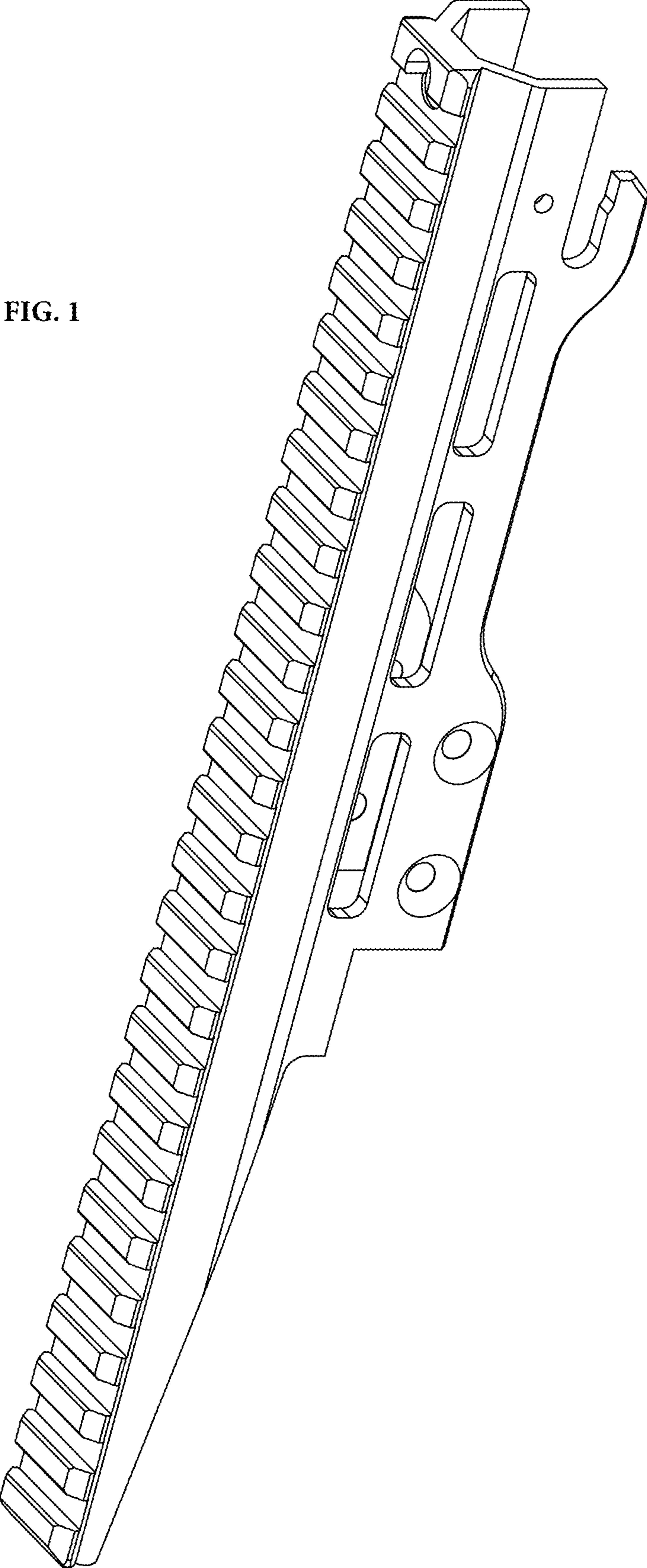


FIG. 1

FIG. 2

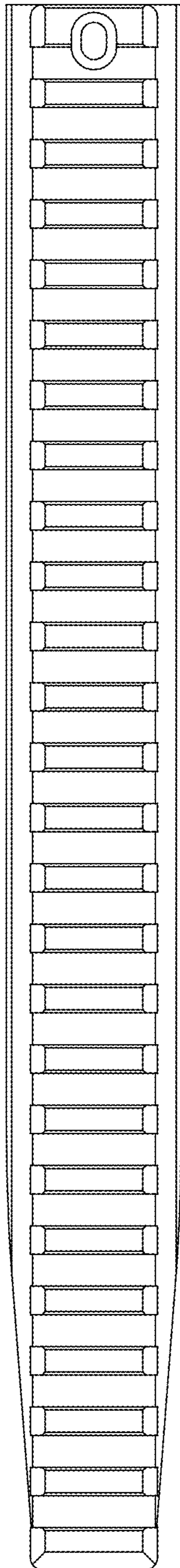


FIG. 3

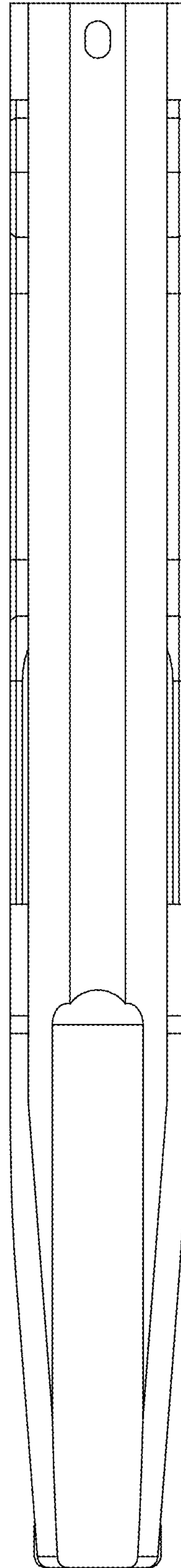


FIG. 4

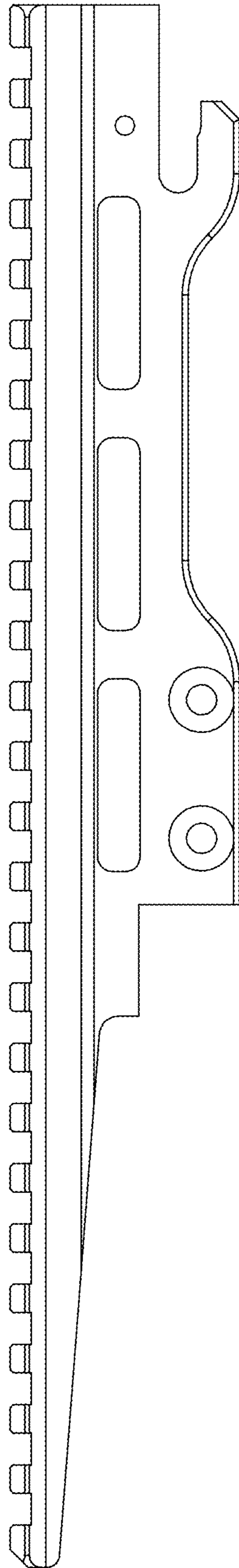


FIG. 5

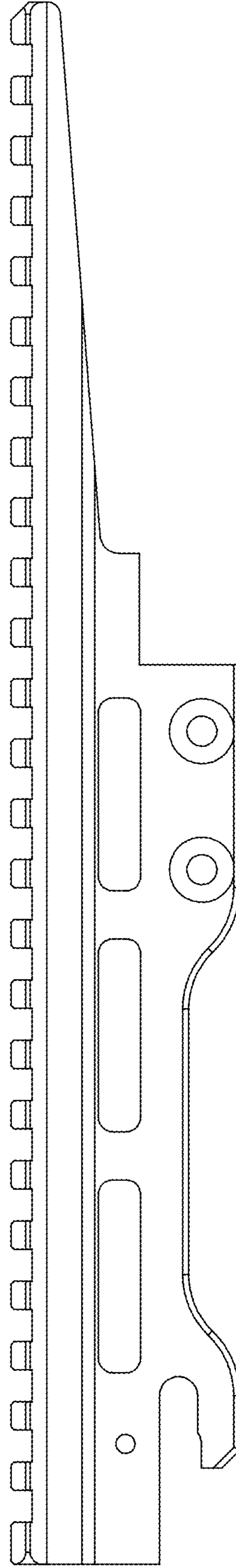


FIG. 6

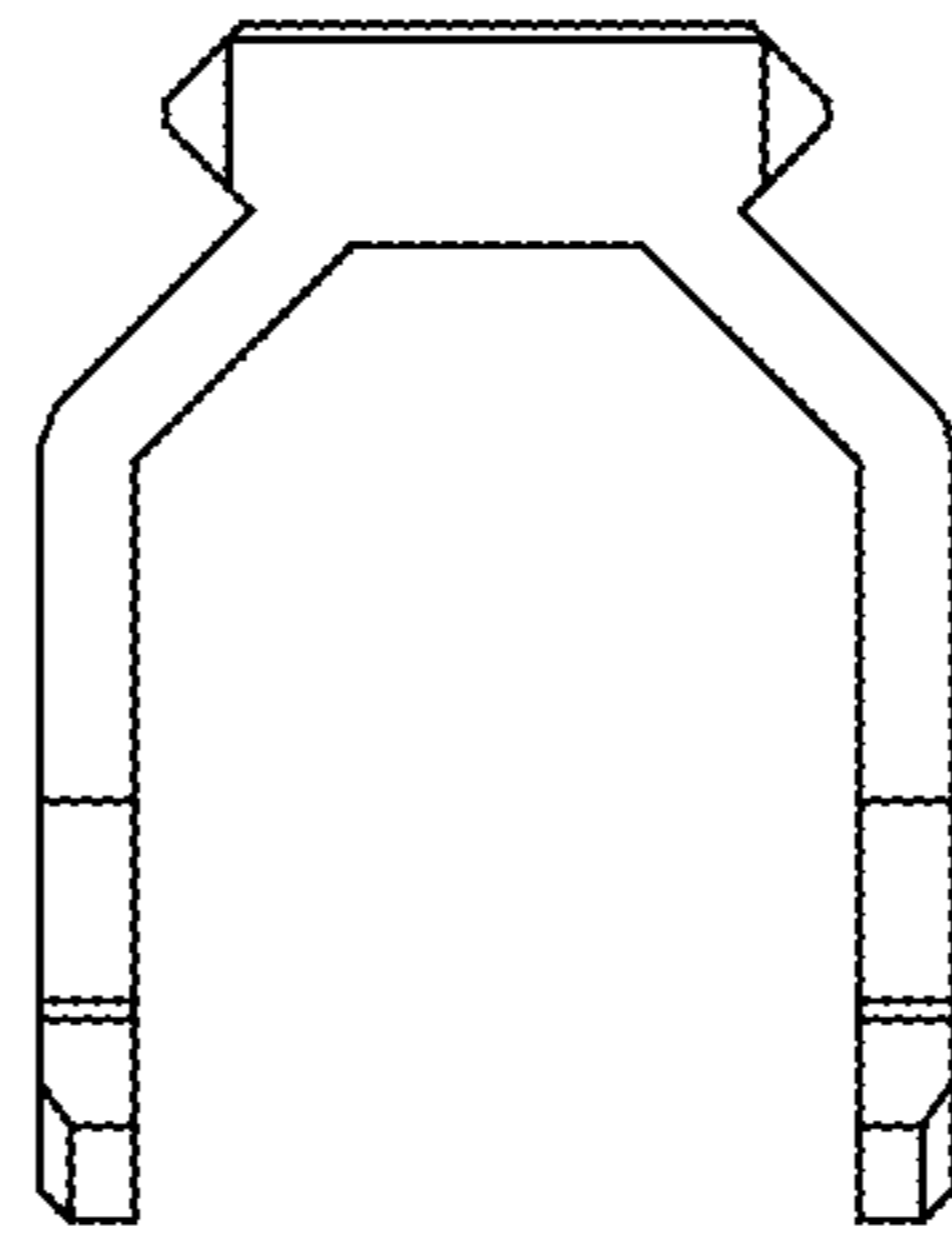


FIG. 7

