



US00D956163S

(12) **United States Design Patent**  
**Barsoumian**

(10) **Patent No.:** **US D956,163 S**

(45) **Date of Patent:** **\*\* Jun. 28, 2022**

(54) **HANDGUARD**

(71) Applicant: **Arsenal, Inc.**, Las Vegas, NV (US)

(72) Inventor: **Vartan Barsoumian**, Las Vegas, NV (US)

(\*\*) Term: **15 Years**

(21) Appl. No.: **29/721,882**

(22) Filed: **Jan. 23, 2020**

(51) **LOC (13) Cl.** ..... **22-01**

(52) **U.S. Cl.**  
USPC ..... **D22/108**

(58) **Field of Classification Search**  
USPC ..... D22/103, 108; D21/570-573; D8/68  
CPC ..... F41C 23/10; F41C 23/14; F41C 23/16;  
F41C 23/18  
See application file for complete search history.

(56) **References Cited**

**U.S. PATENT DOCUMENTS**

D718,405 S \* 11/2014 Fitzpatrick ..... D22/108  
D757,204 S \* 5/2016 Chow ..... D22/108  
D757,878 S \* 5/2016 Barfoot ..... D22/108

D904,545 S \* 12/2020 Chin ..... D22/108  
D912,188 S \* 3/2021 Chin ..... D22/108  
D912,189 S \* 3/2021 Kincel ..... D22/108  
D919,034 S \* 5/2021 Kincel ..... D22/108  
2015/0285584 A1 \* 10/2015 Mayberry ..... F41C 23/16  
42/71.01

\* cited by examiner

*Primary Examiner* — Michael A. Pratt

(57) **CLAIM**

The ornamental design for a handguard, as shown and described.

**DESCRIPTION**

FIG. 1 is a perspective view of the handguard of the invention;  
FIG. 2 is a top view of the handguard shown in FIG. 1;  
FIG. 3 is a bottom view of the handguard shown in FIG. 1;  
FIG. 4 is a right side view of the handguard shown in FIG. 1;  
FIG. 5 is a left side view of the handguard shown in FIG. 1;  
FIG. 6 is front view of the handguard shown in FIG. 1; and,  
FIG. 7 is a rear view of the handguard shown in FIG. 1.

**1 Claim, 4 Drawing Sheets**

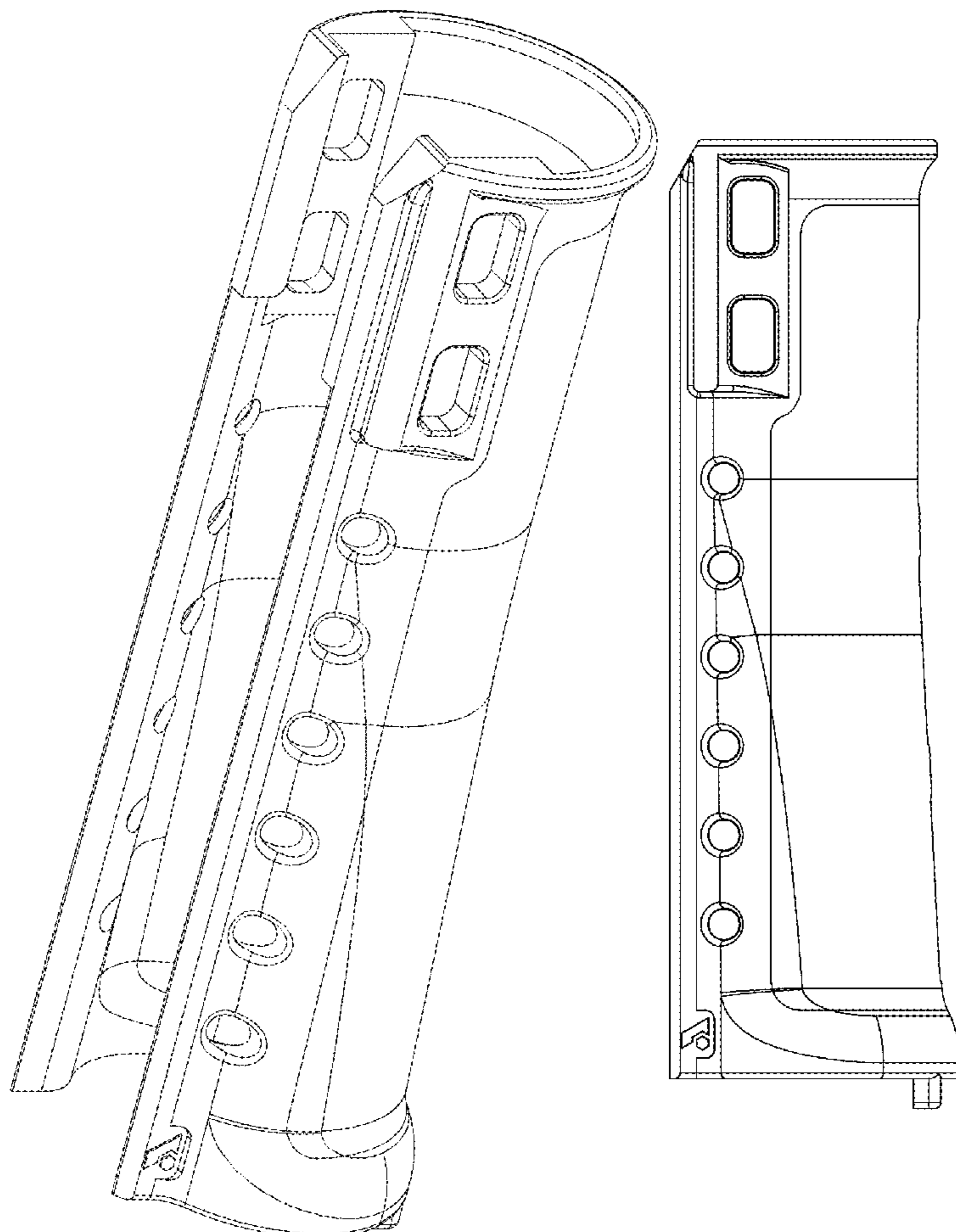


FIG. 1

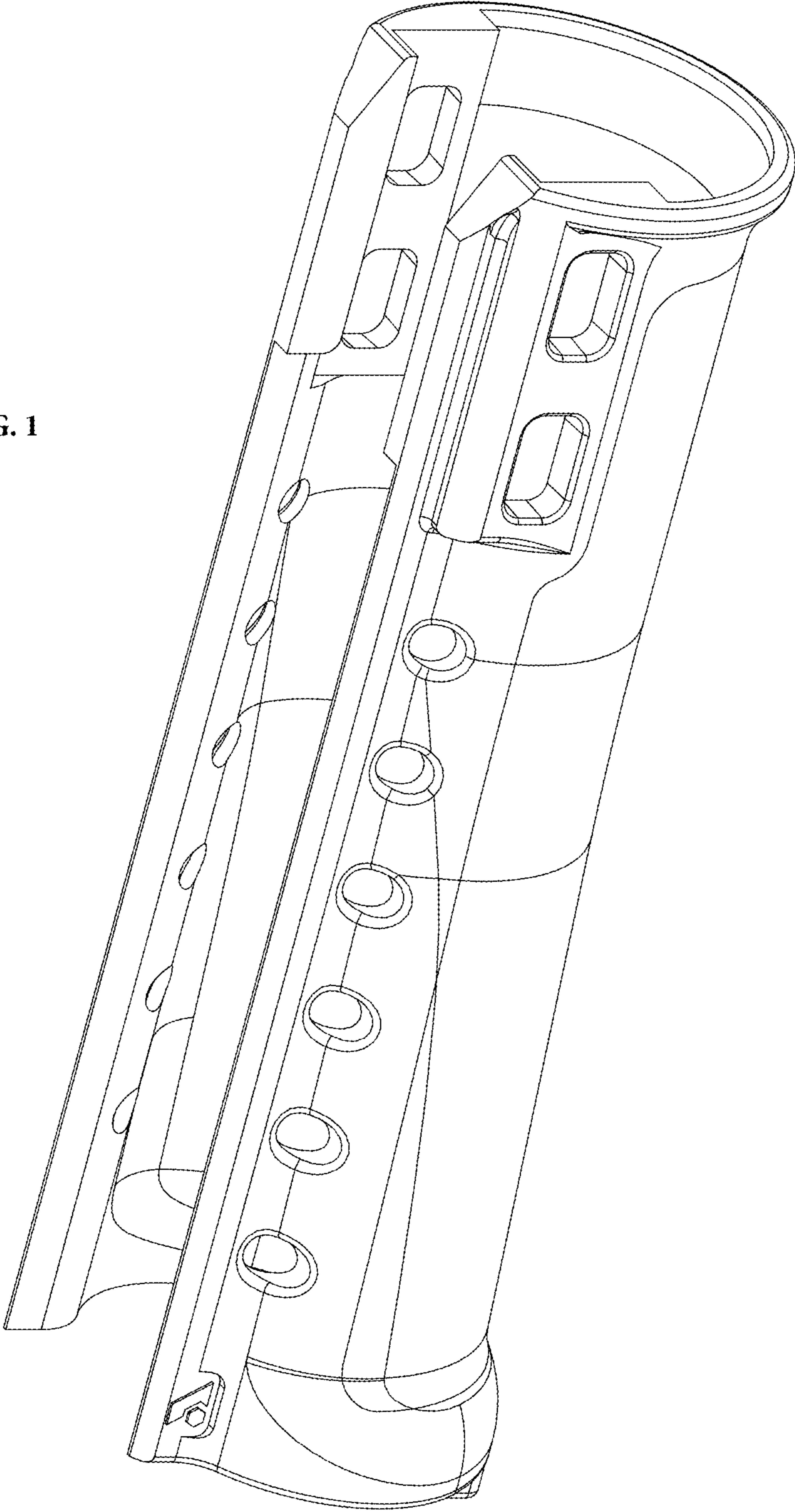


FIG. 2

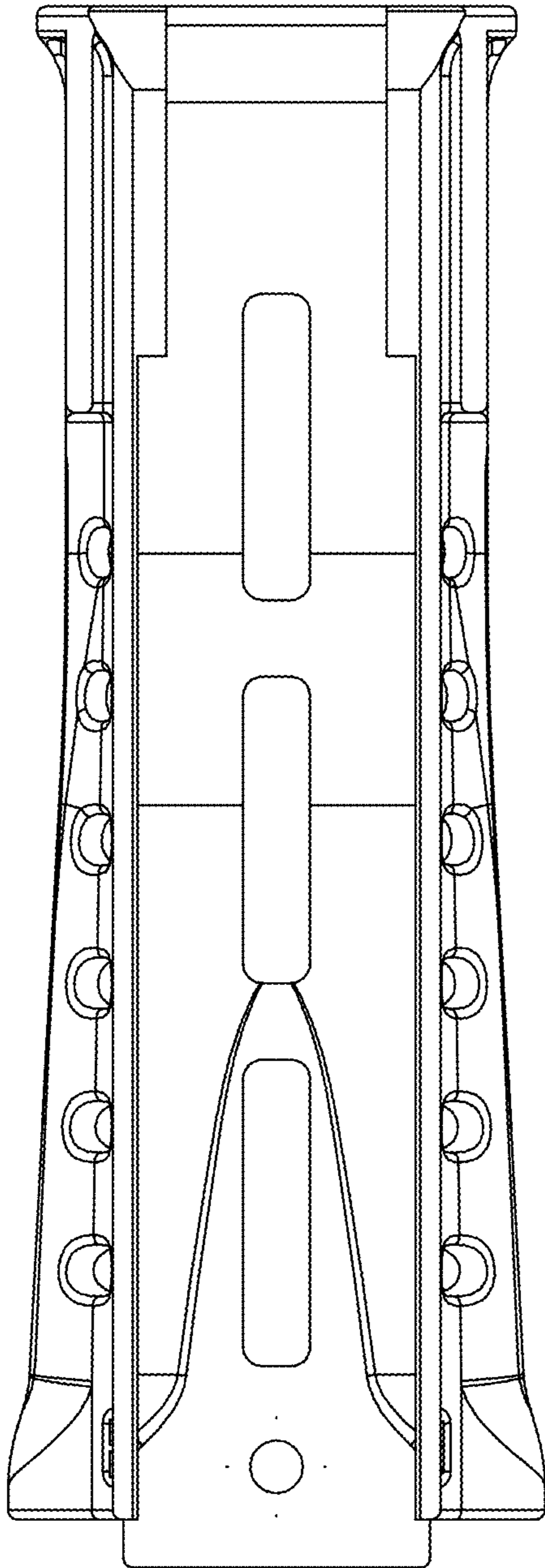


FIG. 3

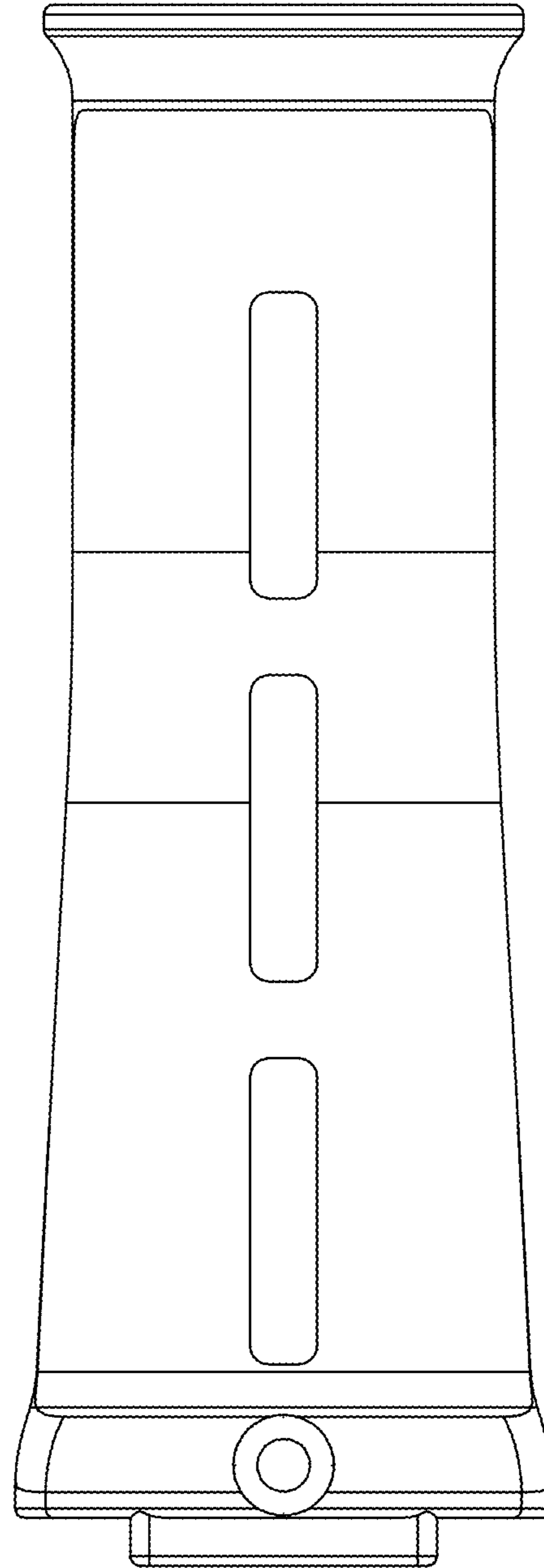


FIG. 4

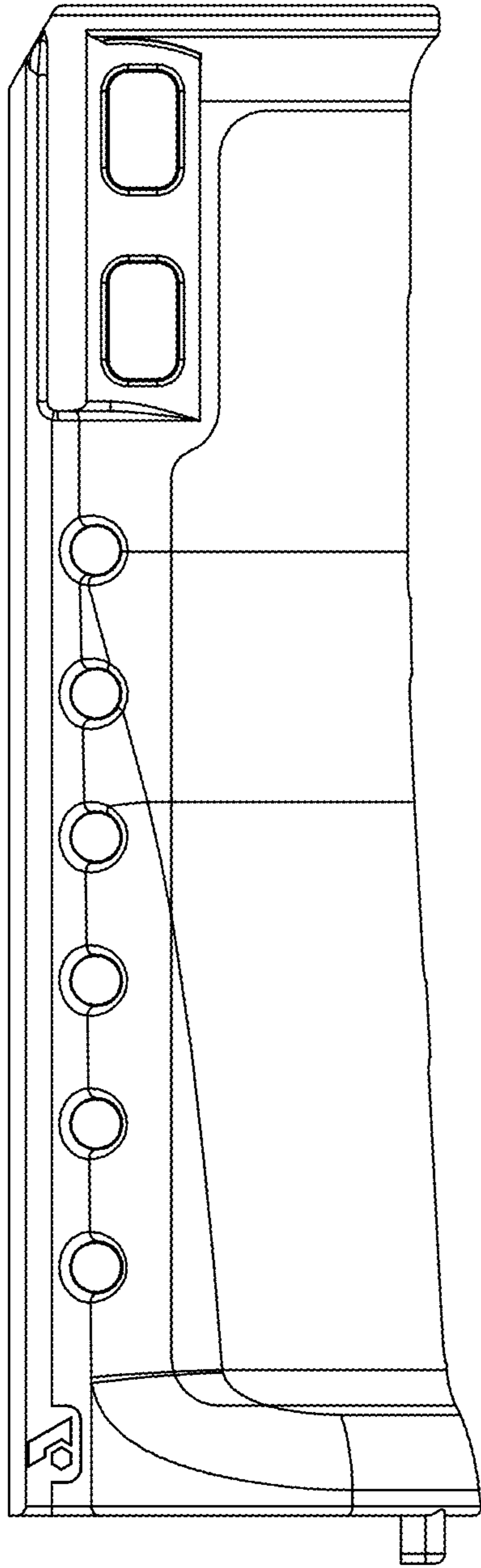


FIG. 5

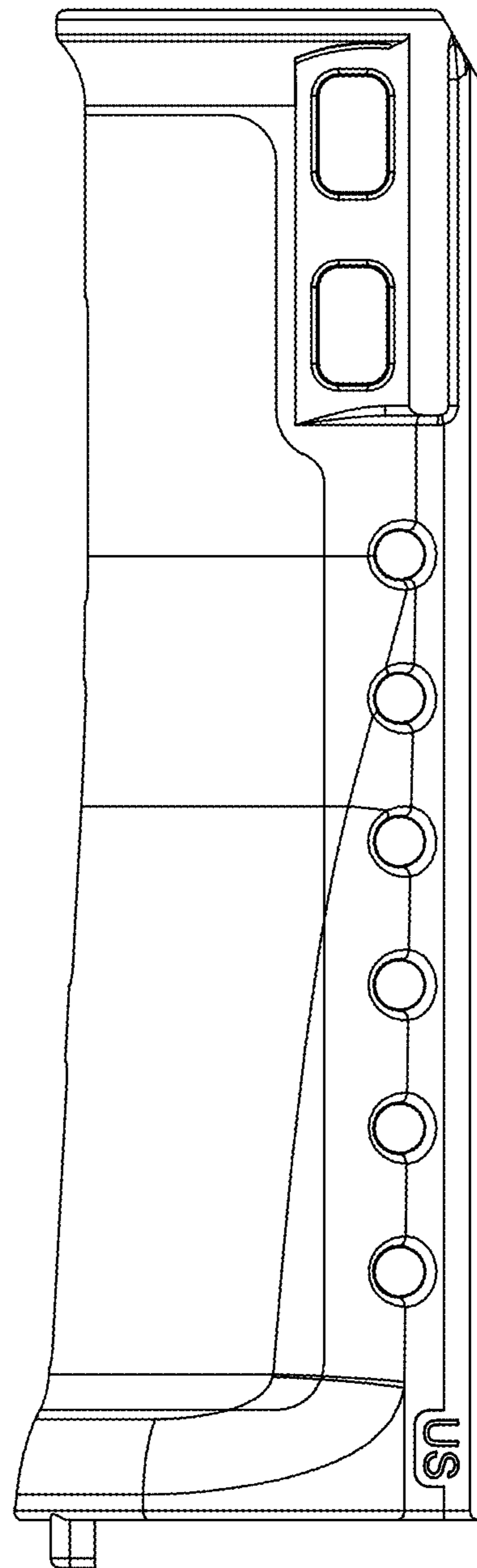


FIG. 6

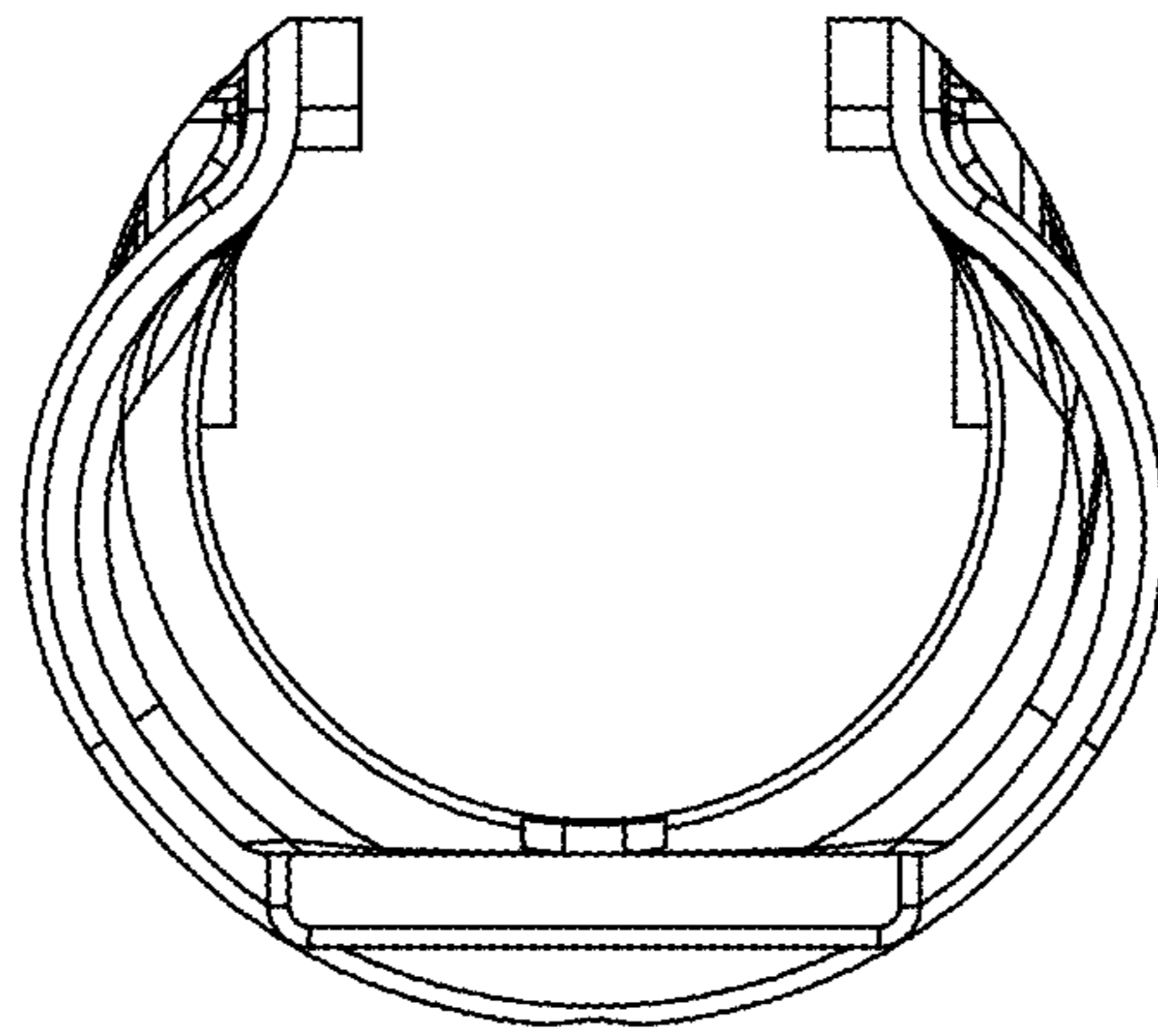


FIG. 7

