

US00D956162S

(12) **United States Design Patent**
Barsoumian

(10) **Patent No.:** **US D956,162 S**
(45) **Date of Patent:** **** Jun. 28, 2022**

(54) **HANDGUARD**

(71) Applicant: **Arsenal, Inc.**, Las Vegas, NV (US)

(72) Inventor: **Vartan Barsoumian**, Las Vegas, NV (US)

(**) Term: **15 Years**

(21) Appl. No.: **29/721,880**

(22) Filed: **Jan. 23, 2020**

(51) **LOC (13) Cl.** **22-01**

(52) **U.S. Cl.**
USPC **D22/108**

(58) **Field of Classification Search**
USPC D22/103, 108; D21/570-573; D8/68
CPC F41C 23/10; F41C 23/14; F41C 23/16;
F41C 23/18
See application file for complete search history.

(56) **References Cited**

U.S. PATENT DOCUMENTS

D722,356 S *	2/2015	Keller	D22/108
D809,084 S *	1/2018	Geissele	D22/108
D812,177 S *	3/2018	Geissele	D22/108
D846,688 S *	4/2019	Storch	D22/108
D904,545 S *	12/2020	Chin	D22/108
D912,189 S *	3/2021	Kinzel	D22/108

D919,034 S *	5/2021	Kinzel	D22/108
2008/0301994 A1 *	12/2008	Langevin	F41C 23/16 42/71.01
2011/0192066 A1 *	8/2011	Kimmel	F41C 23/16 42/71.01
2012/0180359 A1 *	7/2012	Fitzpatrick	F41C 23/16 42/71.01
2014/0082990 A1 *	3/2014	Lee	F41A 21/44 42/96
2015/0285584 A1 *	10/2015	Mayberry	F41C 23/16 42/71.01

* cited by examiner

Primary Examiner — Michael A. Pratt

(57) **CLAIM**

The ornamental design for a handguard, as shown and described.

DESCRIPTION

FIG. 1 is a perspective view of the handguard of the invention;
FIG. 2 is a top view of the handguard shown in FIG. 1;
FIG. 3 is a bottom view of the handguard shown in FIG. 1;
FIG. 4 is a right side view of the handguard shown in FIG. 1;
FIG. 5 is a left side view of the handguard shown in FIG. 1;
and
FIG. 6 is front view of the handguard shown in FIG. 1; and,
FIG. 7 is a rear view of the handguard shown in FIG. 1.

1 Claim, 4 Drawing Sheets

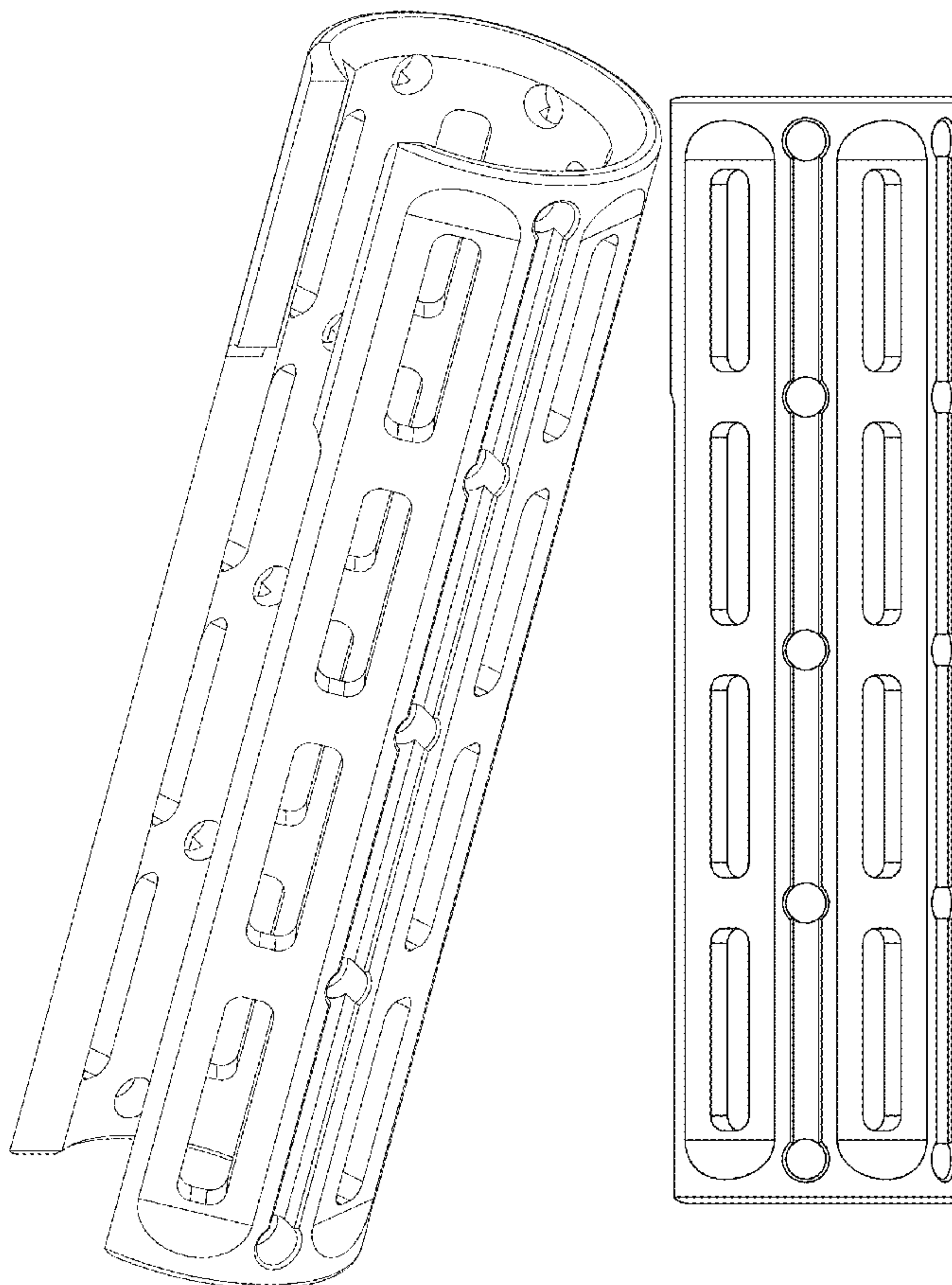


FIG. 1

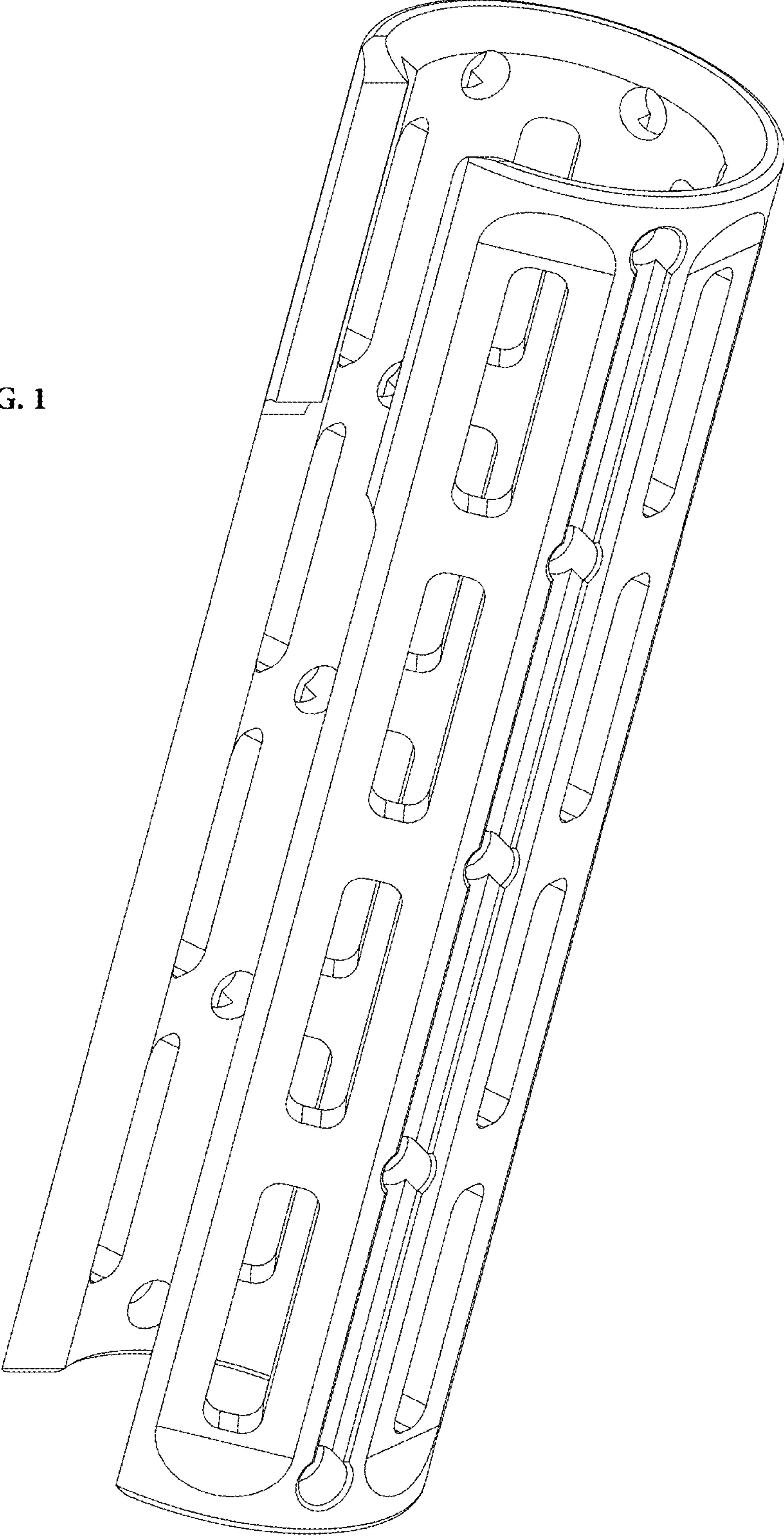


FIG. 2

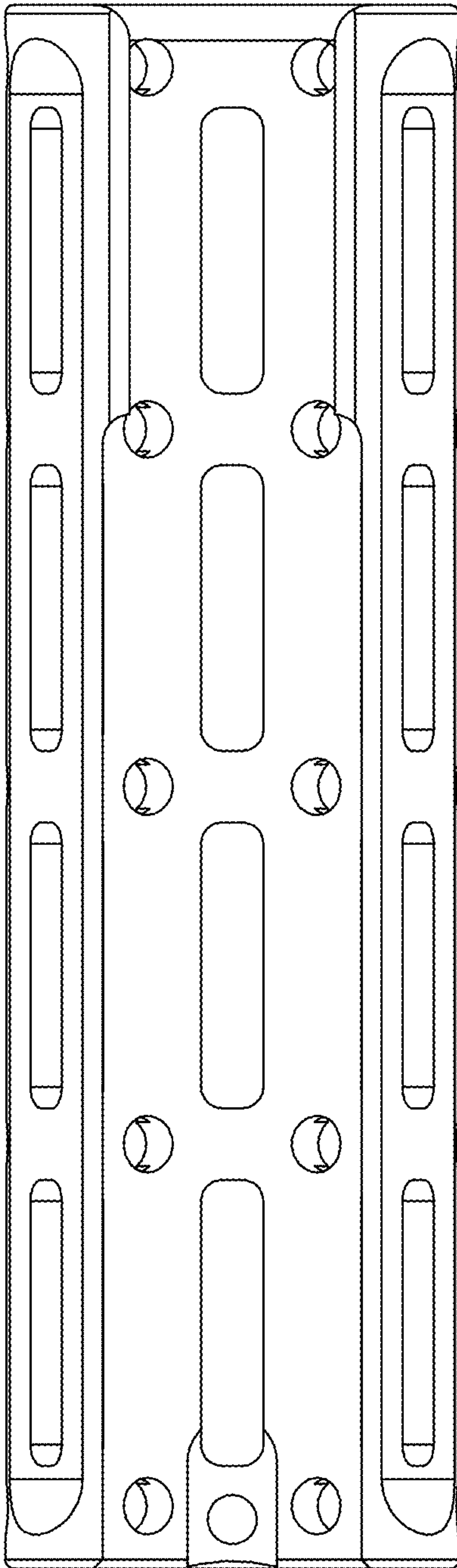


FIG. 3

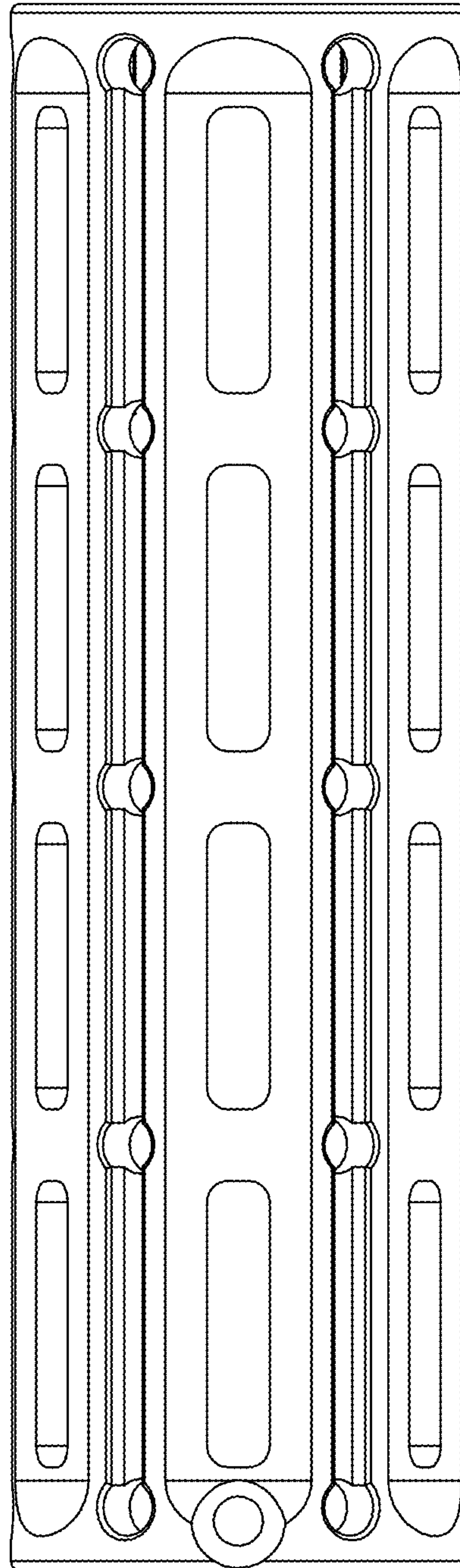


FIG. 4

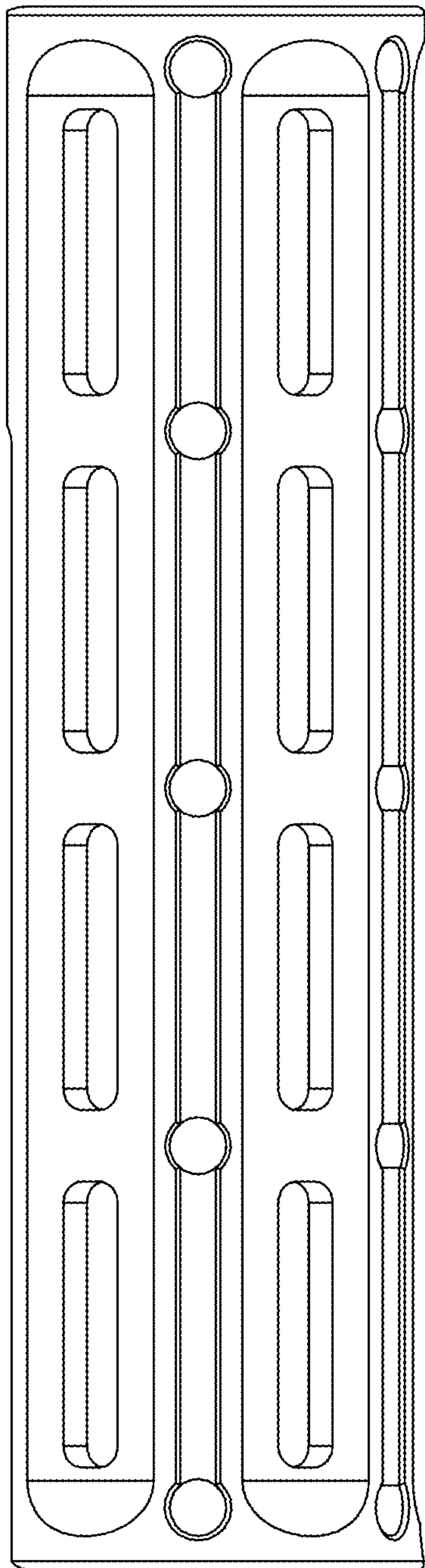


FIG. 5

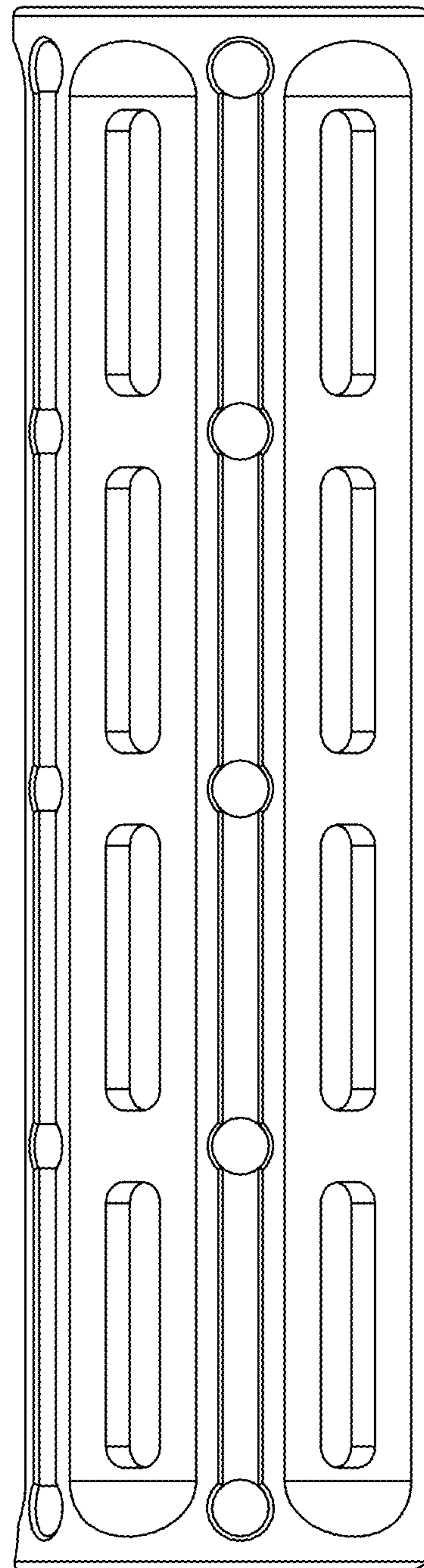


FIG. 6

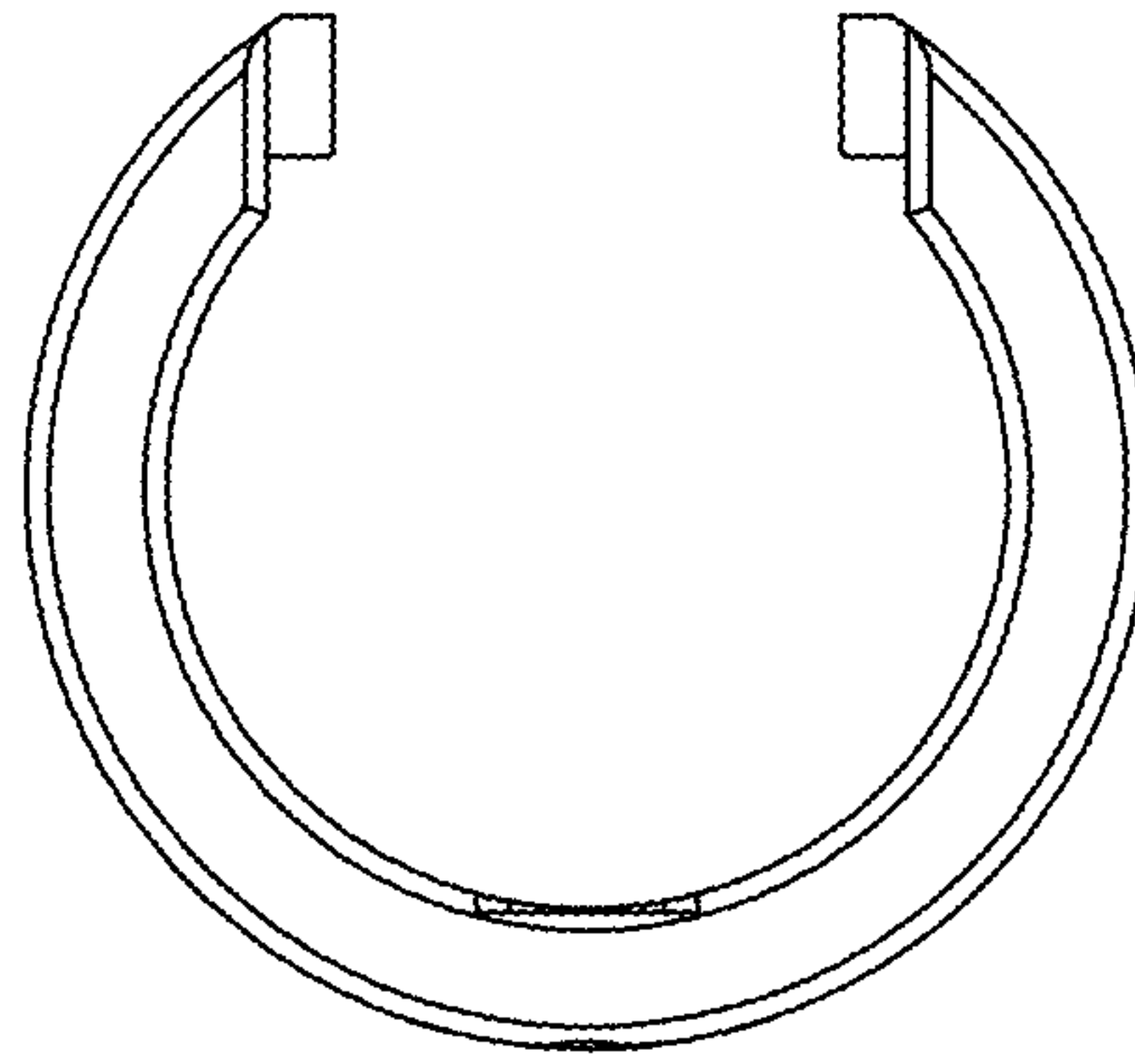


FIG. 7

