

US00D956161S

(12) **United States Design Patent**
Koontz

(10) **Patent No.:** **US D956,161 S**
(45) **Date of Patent:** **** Jun. 28, 2022**

(54) **CROSSBOW STAND**

(71) Applicant: **Michael D. Koontz**, Kodak, TN (US)

(72) Inventor: **Michael D. Koontz**, Kodak, TN (US)

(**) Term: **15 Years**

(21) Appl. No.: **29/727,477**

(22) Filed: **Mar. 11, 2020**

(51) **LOC (13) Cl.** **22-01**

(52) **U.S. Cl.**

USPC **D22/107**

(58) **Field of Classification Search**

USPC D22/107; D21/571; D6/682, 682.1,
D6/682.3, 682.4, 682.5

CPC F41B 5/148; F41B 5/14; F41B 5/1426;
F41B 5/1442; A63B 71/12; A63B
2244/04

See application file for complete search history.

(56) **References Cited**

U.S. PATENT DOCUMENTS

D260,674	S *	9/1981	Simmons	D6/552
D299,199	S	1/1989	Rogowski		
5,370,240	A *	12/1994	Hand	F41B 5/14 211/13.1
5,377,657	A	1/1995	Foster et al.		
5,933,999	A *	8/1999	McClure	F41A 23/02 42/94
6,802,483	B1 *	10/2004	Leasure	F41B 5/14 182/187
8,826,581	B2 *	9/2014	Boll	F41C 33/001 42/94
D717,388	S	11/2014	Wright, III		
D741,438	S	10/2015	Wright, III		
9,335,112	B1 *	5/2016	Sholley	F41C 33/001
9,366,498	B2 *	6/2016	Gouramanis	F41B 5/1449
D762,802	S *	8/2016	Houle	D22/107
D775,703	S *	1/2017	Throgmorton	D22/107

D819,159	S *	5/2018	Leis	D22/107
10,323,900	B1	6/2019	Steffen		
2013/0145671	A1 *	6/2013	Cavell	F41B 5/1453 42/94
2021/0055073	A1 *	2/2021	Puffe	F41B 5/1426

OTHER PUBLICATIONS

Wp. admin. "C.B. Holder" Posted: Jun. 22, 2020 [visited: Feb. 16, 2022] For Sale by Inventor URL: <https://forsalebyinventor.com/products/cb-holder/> (Year: 2020).*

Bow Jaws™ Treestand Bow Holder. Product Listing [online]. © 2020 Sportsman's Guide, Inc. [retrieved on Nov. 18, 2019]. Retrieved from the Internet: <URL: <https://www.sportsmansguide.com/product/index/bow-jaws-treestand-bow-holder?a=584126>>.

Ameristep Crossbow Holder. Product Listing [online]. © 2020 Sportsman's Guide, Inc. [retrieved on Nov. 18, 2019]. Retrieved from the Internet: <URL: <https://www.sportsmansguide.com/product/index/ameristep-crossbow-holder?a=681069>>.

(Continued)

Primary Examiner — Marissa J Cash

Assistant Examiner — Jessie Anne E Touart

(74) *Attorney, Agent, or Firm* — Cramer Patent & Design, PLLC; Aaron R. Cramer

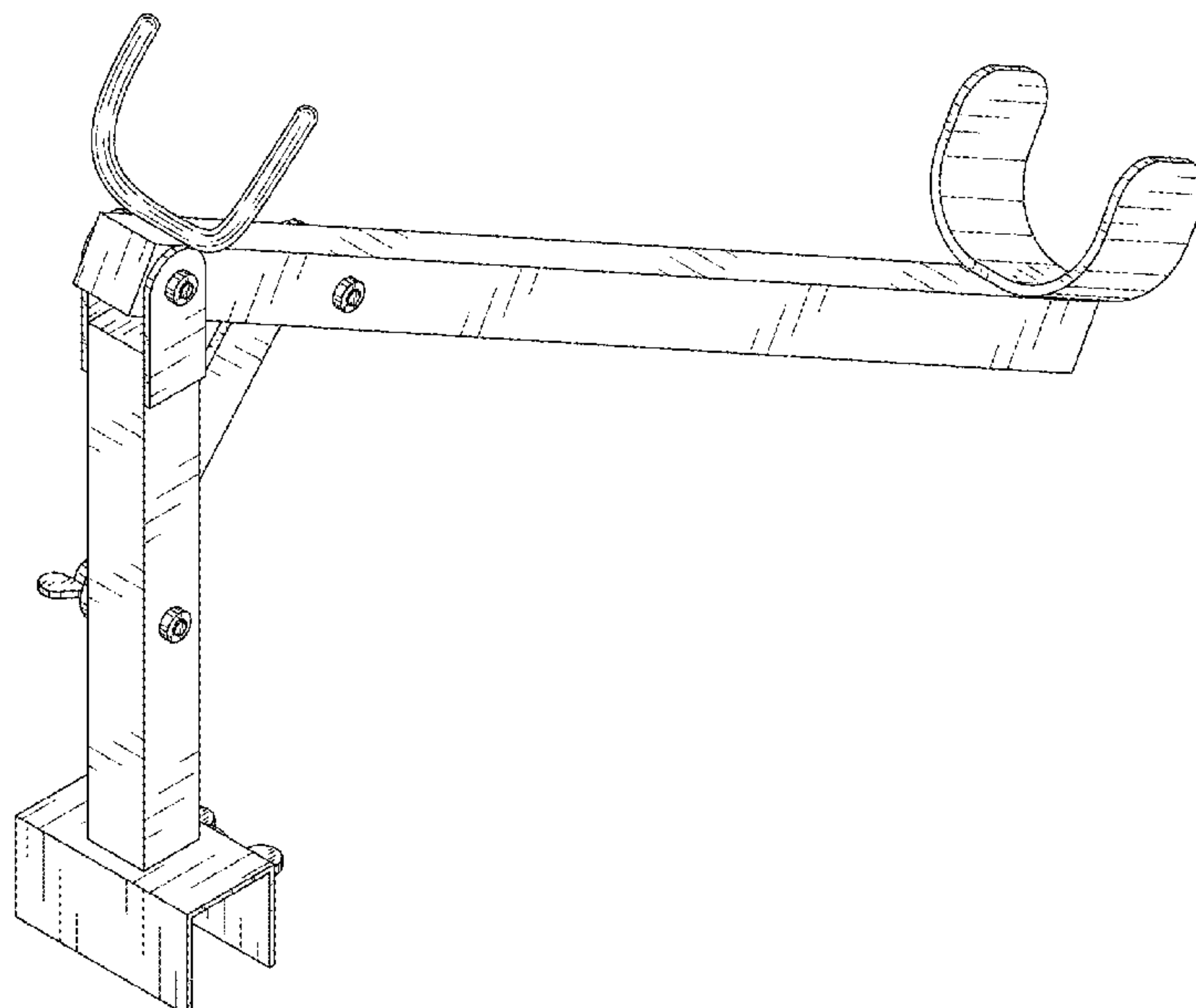
(57) **CLAIM**

The ornamental design for a crossbow stand, as shown and described.

DESCRIPTION

FIG. 1 is a perspective top front right view of a crossbow stand, showing my new design;
FIG. 2 is a perspective top rear left view thereof;
FIG. 3 is a rear elevation view thereof;
FIG. 4 is a front elevation view thereof;
FIG. 5 is a right elevation view thereof;
FIG. 6 is a left elevation view thereof;
FIG. 7 is a top plan view thereof; and,
FIG. 8 is a bottom plan view thereof.

1 Claim, 6 Drawing Sheets



(56)

References Cited

OTHER PUBLICATIONS

Crossbow Or Rifle Stand—Tripod Shooting Stand—Shooting Stands—Hunter, Shooter. Product Listing [online]. © 2020 Etsy, Inc. [retrieved on Nov. 18, 2019]. Retrieved from the Internet: <URL: https://www.etsy.com/listing/201132437/crossbow-or-rifle-stand-tripod-shooting?show_sold_out_detail=1>.

* cited by examiner

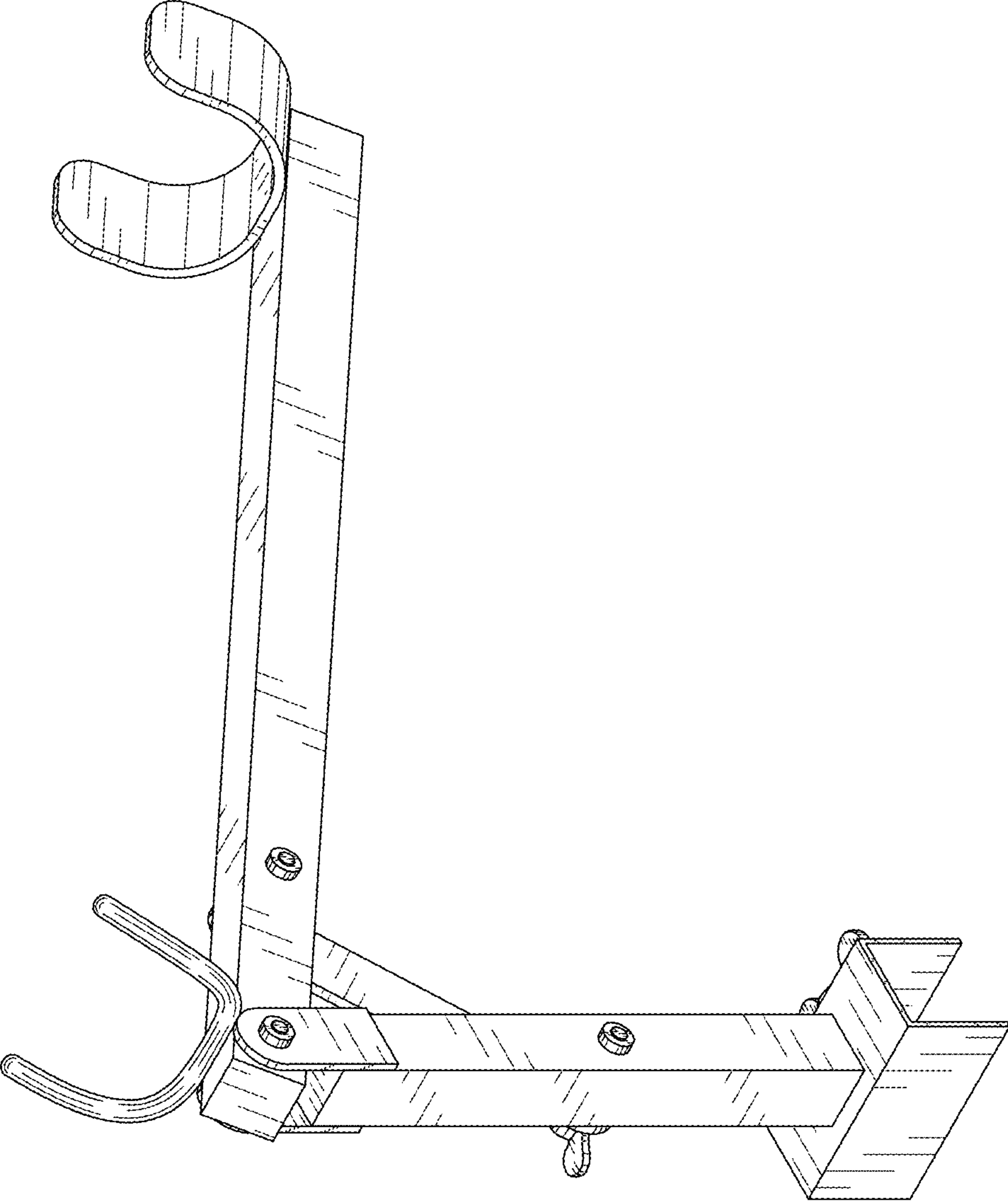


FIG. 1

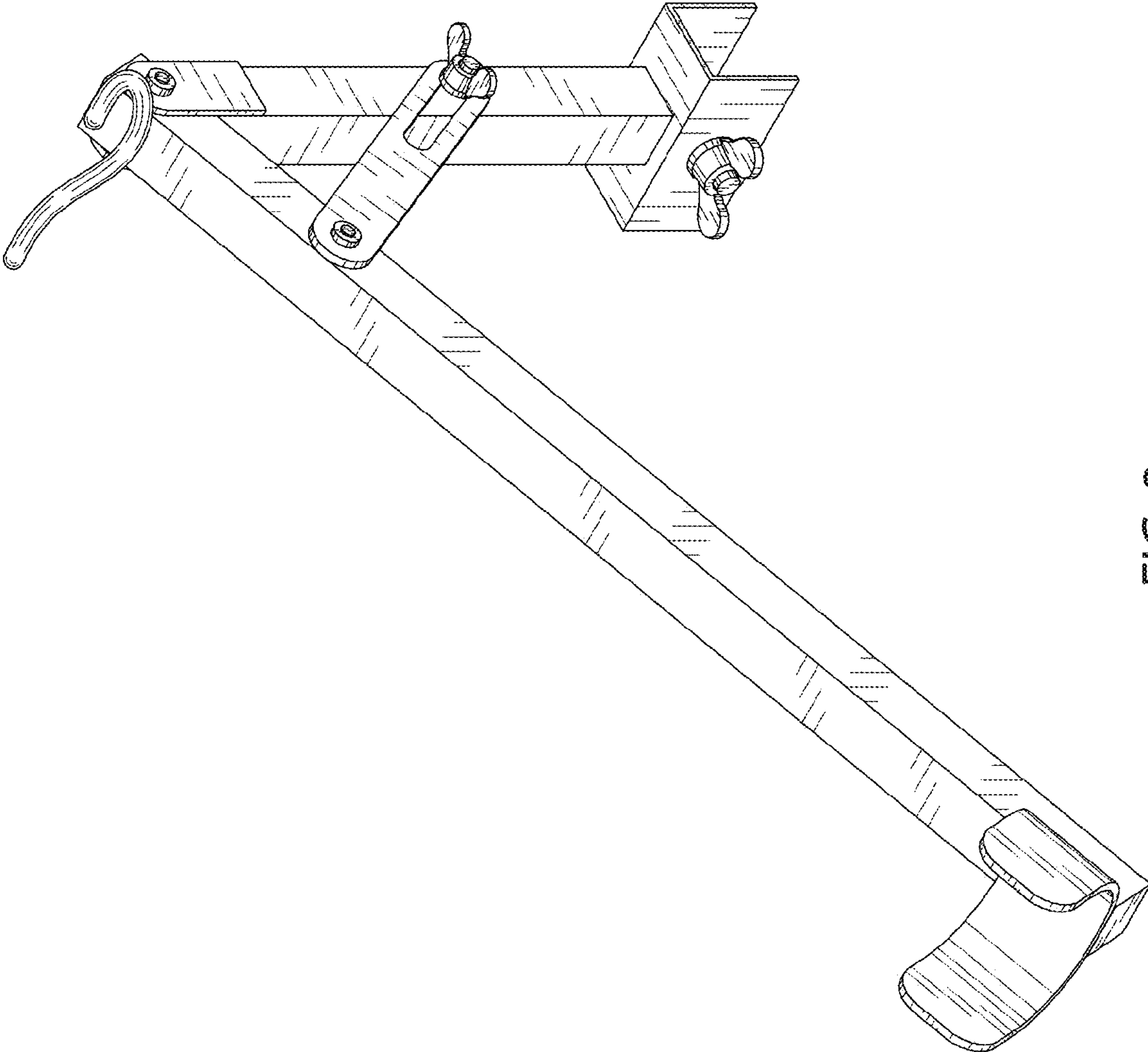


FIG. 2

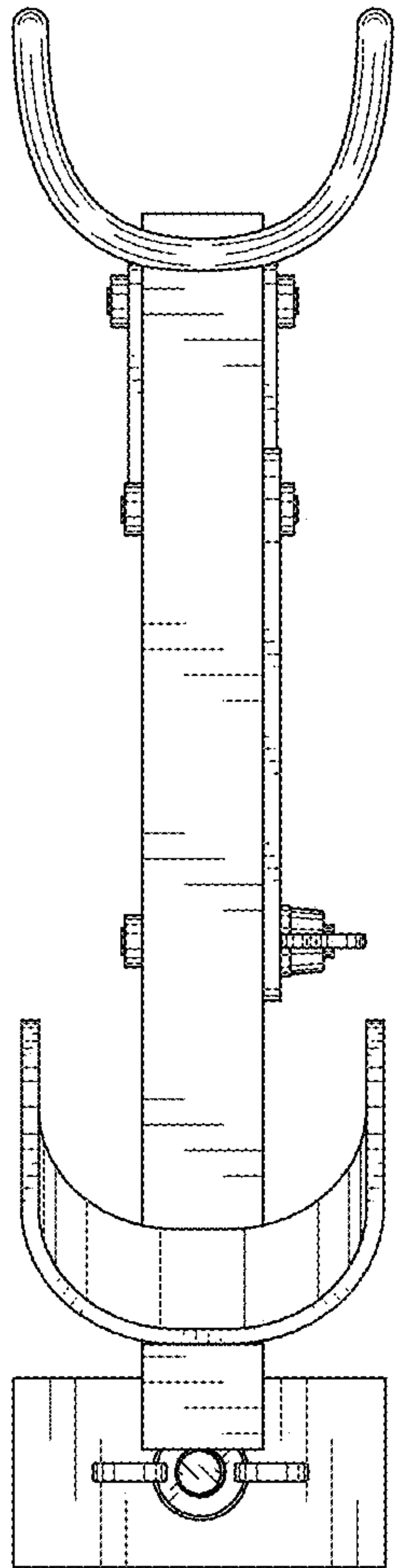


FIG. 3

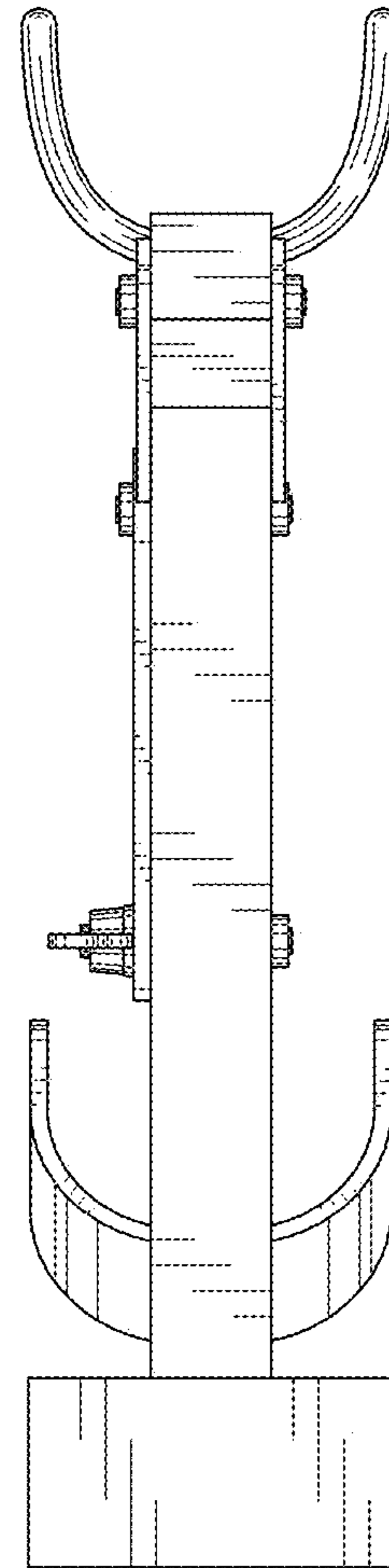


FIG. 4

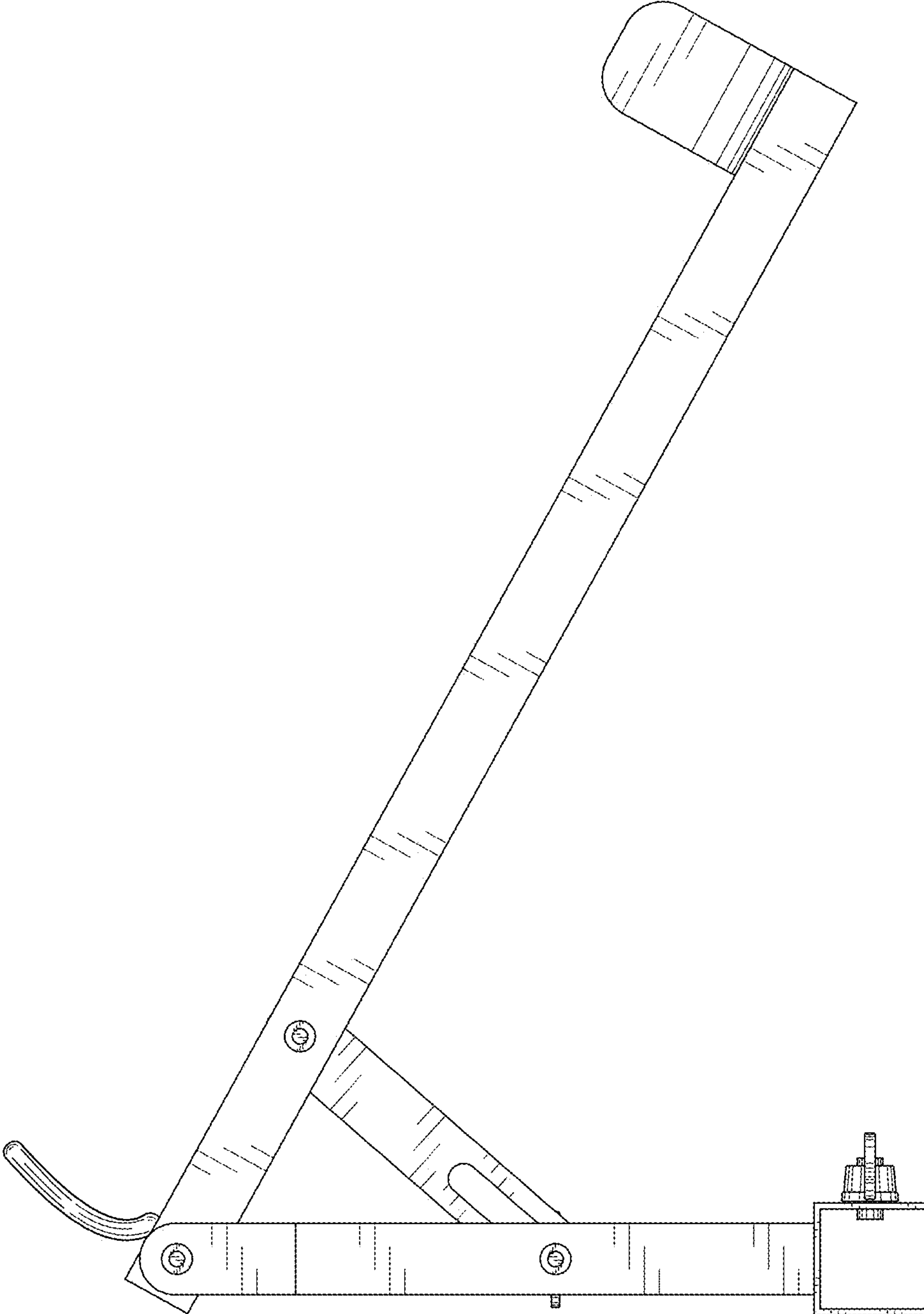


FIG. 5

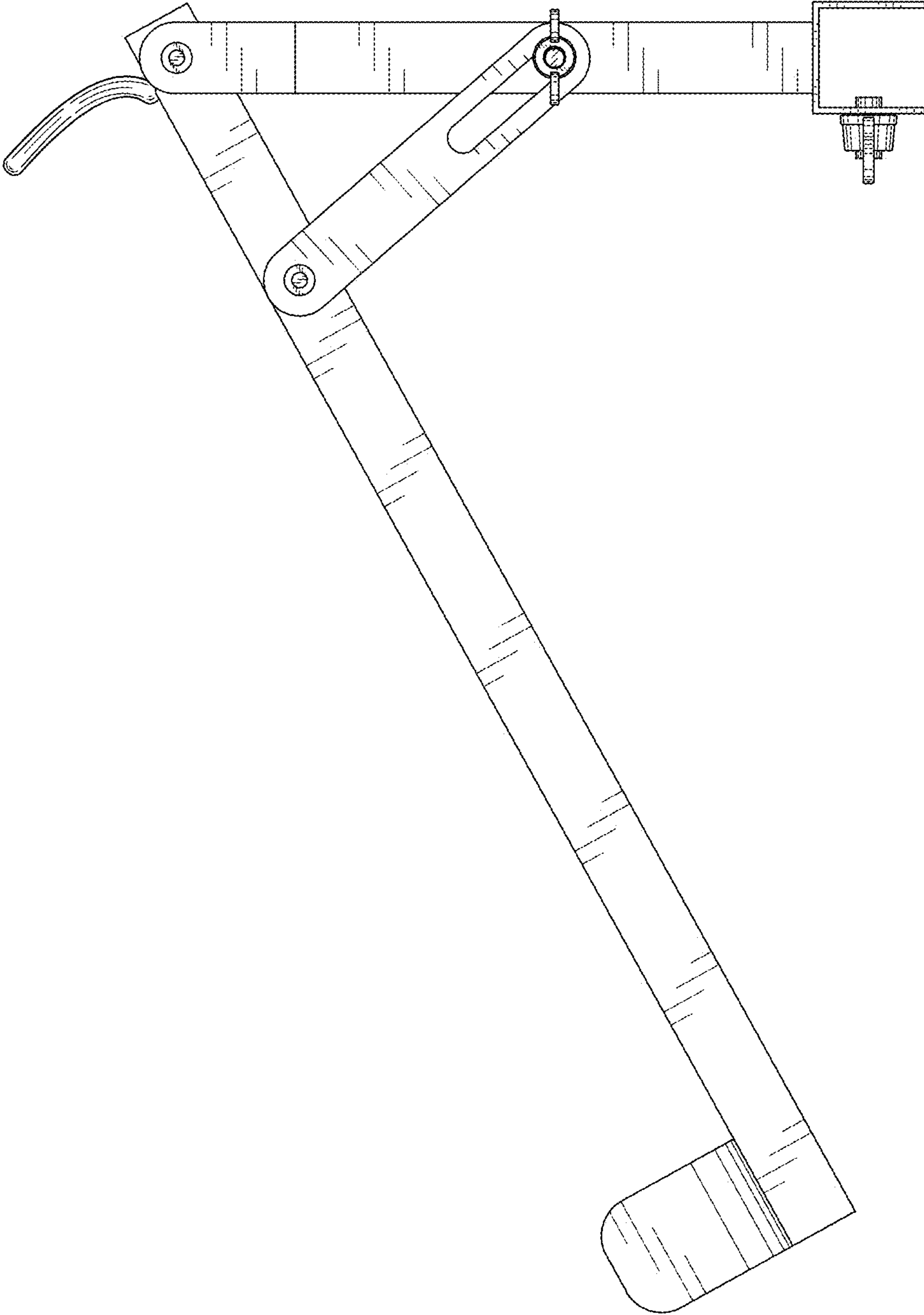


FIG. 6

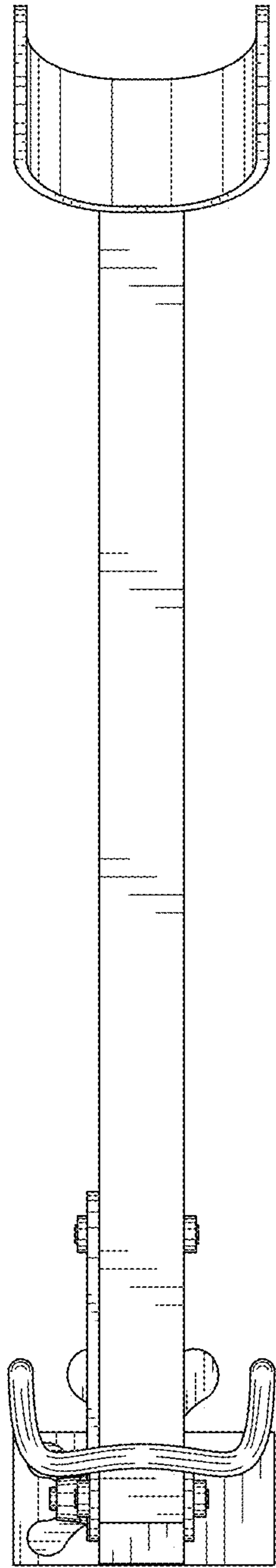


FIG. 7

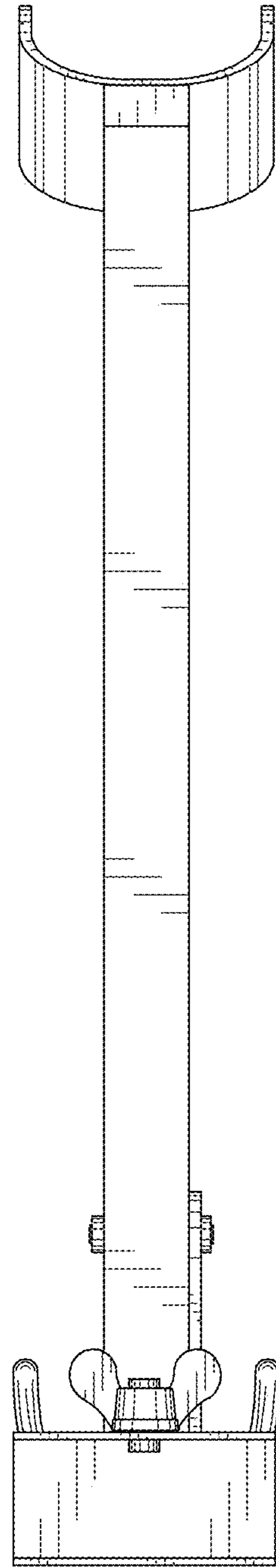


FIG. 8