



US00D956158S

(12) **United States Design Patent** (10) **Patent No.:** **US D956,158 S**  
**Klages et al.** (45) **Date of Patent:** **\*\* Jun. 28, 2022**

(54) **WATER SLED** D476,612 S \* 7/2003 Bills ..... D12/314  
D789,867 S \* 6/2017 Walpurgis ..... B63C 11/46  
(71) Applicant: **JAMADE GERMANY GMBH,** D12/308  
Bergisch Gladbach (DE) D803,759 S \* 11/2017 Habeger ..... D12/308  
(72) Inventors: **Detlef Klages,** Bad Essen (DE); **Simon** D830,943 S \* 10/2018 Zheng ..... D12/308  
**Rose,** Bielefeld (DE); **Martin Oser,** D900,701 S \* 11/2020 Leveille-Nizerolle .....  
Munich (DE); **Janko Duch,** Bergisch B63C 11/46  
Gladbach (DE) D12/300  
D918,121 S \* 5/2021 Hansen ..... D12/308

(\*\*) Term: **15 Years**

(21) Appl. No.: **35/511,113**

(22) Filed: **Jul. 10, 2020**

(80) **Hague Agreement Data**

Int. Filing Date: **Jul. 10, 2020**  
Int. Reg. No.: **DM/209357**  
Int. Reg. Date: **Jul. 10, 2020**  
Int. Reg. Pub. Date: **Jan. 15, 2021**

(30) **Foreign Application Priority Data**

Jan. 10, 2020 (DE) ..... 40 2020 100 027.2

(51) **LOC (13) Cl.** ..... **21-02**

(52) **U.S. Cl.**  
USPC ..... **D21/810; D12/308**

(58) **Field of Classification Search**  
USPC ..... D12/300, 310-315; D21/542-544, 810  
CPC ..... B63B 34/10  
See application file for complete search history.

(56) **References Cited**

**U.S. PATENT DOCUMENTS**

D219,667 S \* 1/1971 King ..... D21/810  
D359,469 S \* 6/1995 Yoshida ..... D12/300

**OTHER PUBLICATIONS**

Amazea, One of the new colors for 2019! Published on Facebook.com on Feb. 28, 2019. Retrieved from the internet on Feb. 23, 2022 <URL: https://www.facebook.com/AMAZEOfficial/photos/619104858538413> (Year: 2019).\*

\* cited by examiner

*Primary Examiner* — Joseph Kukella  
(74) *Attorney, Agent, or Firm* — Panitch Schwarze  
Belisario & Nadel LLP

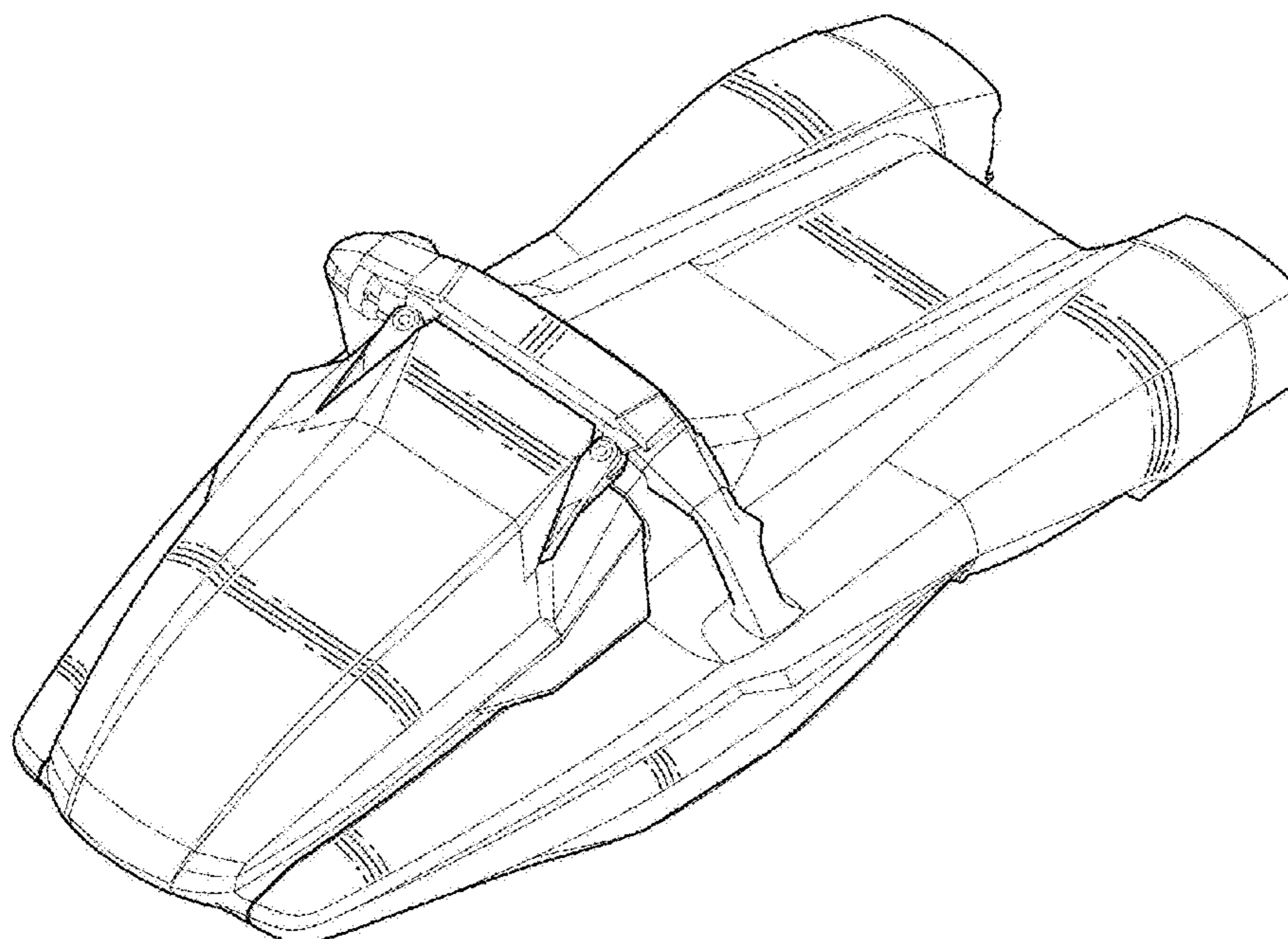
(57) **CLAIM**

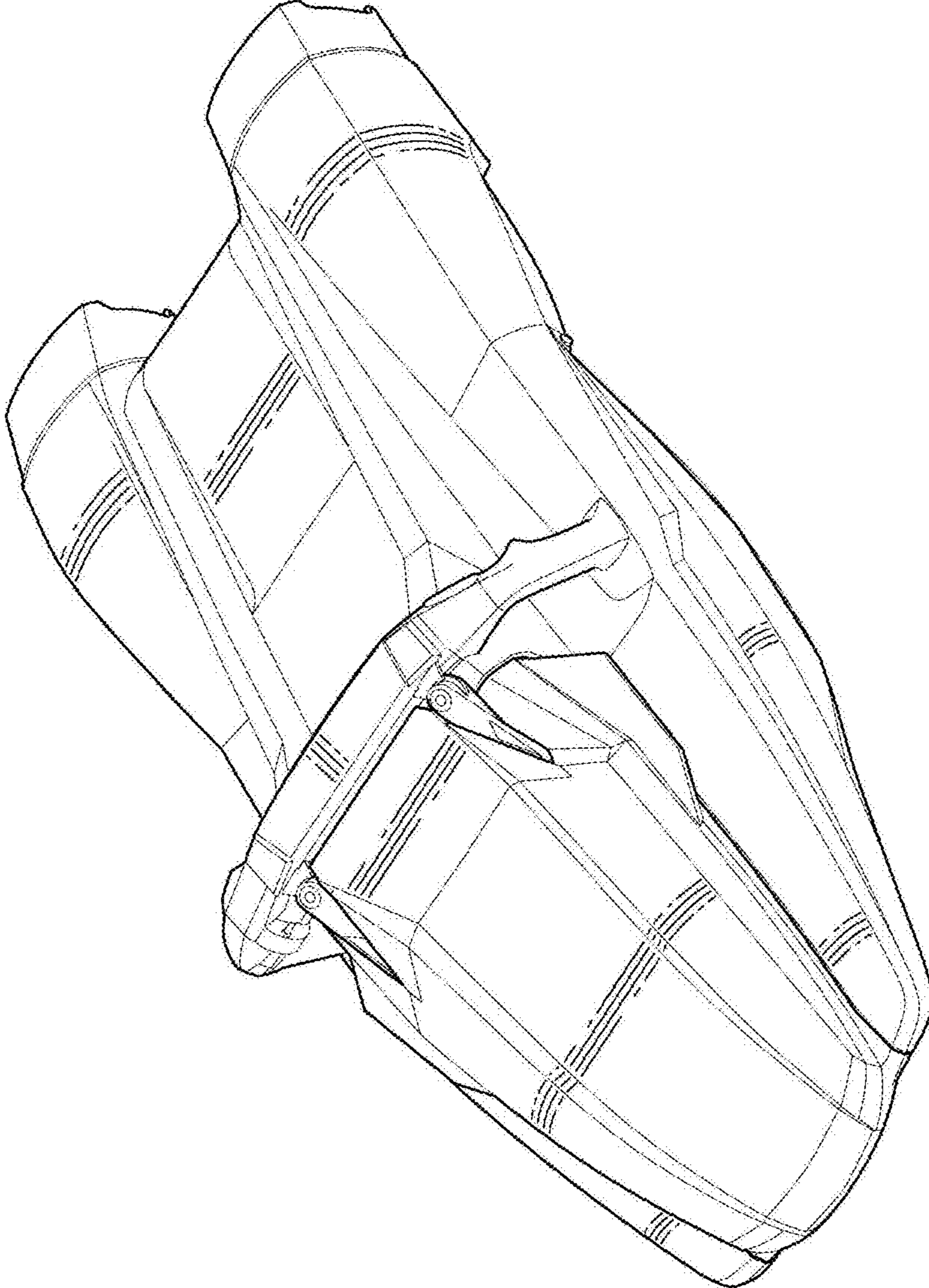
The ornamental design for a water sled, as shown and described.

**DESCRIPTION**

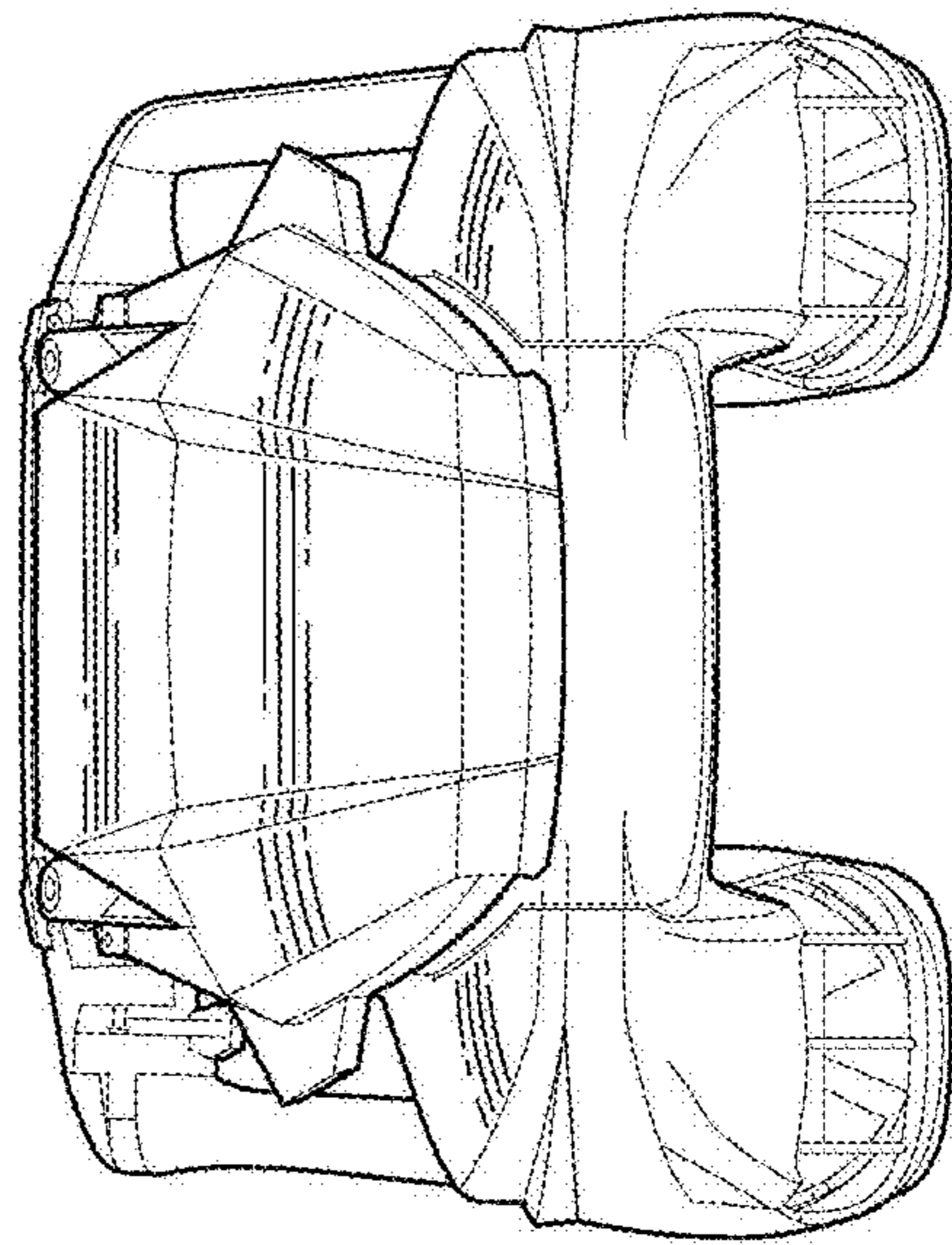
- 1. Water sled
- 1.1 : Perspective
- 1.2 : Front
- 1.3 : Back
- 1.4 : Right
- 1.5 : Left
- 1.6 : Top
- 1.7 : Bottom

**1 Claim, 7 Drawing Sheets**

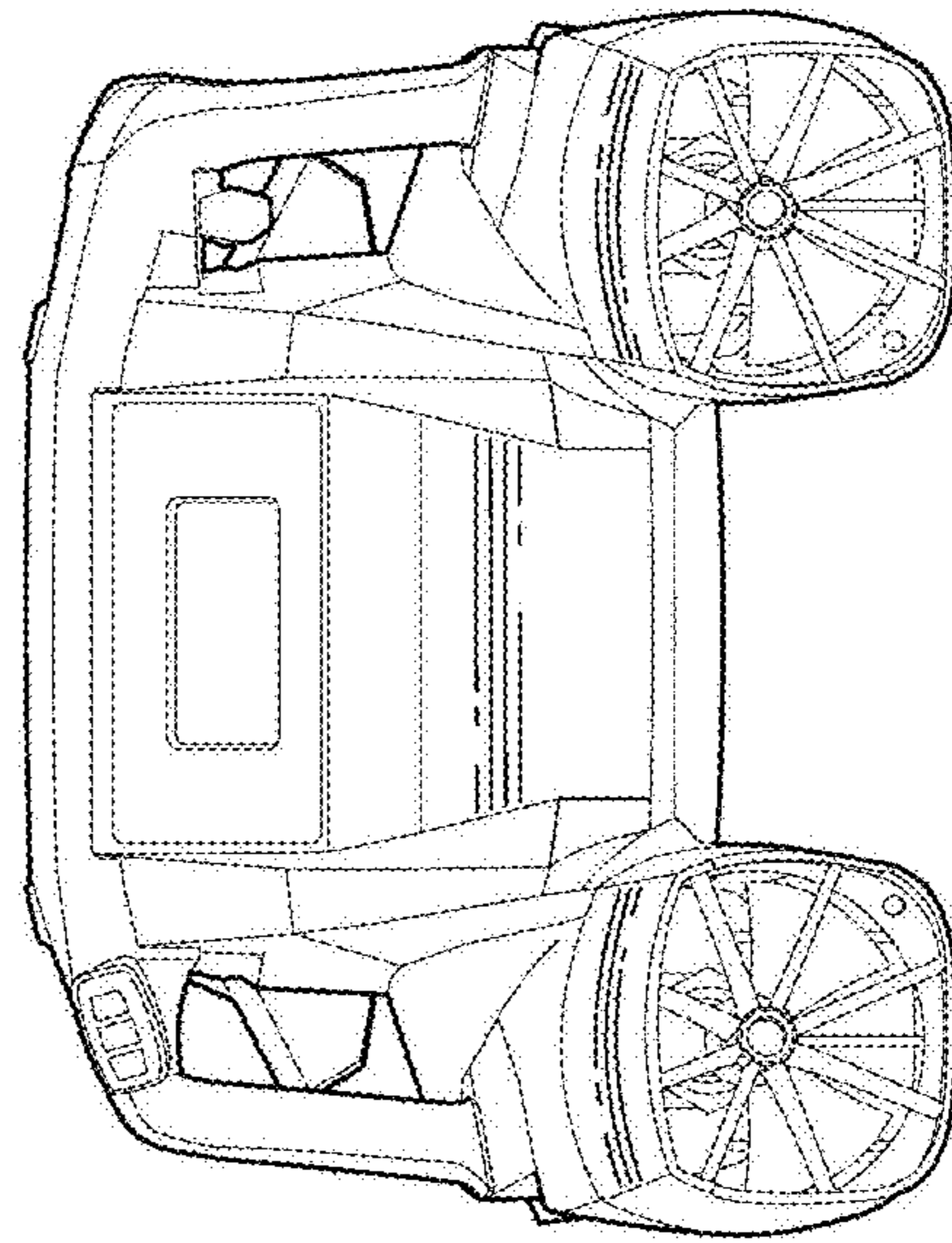




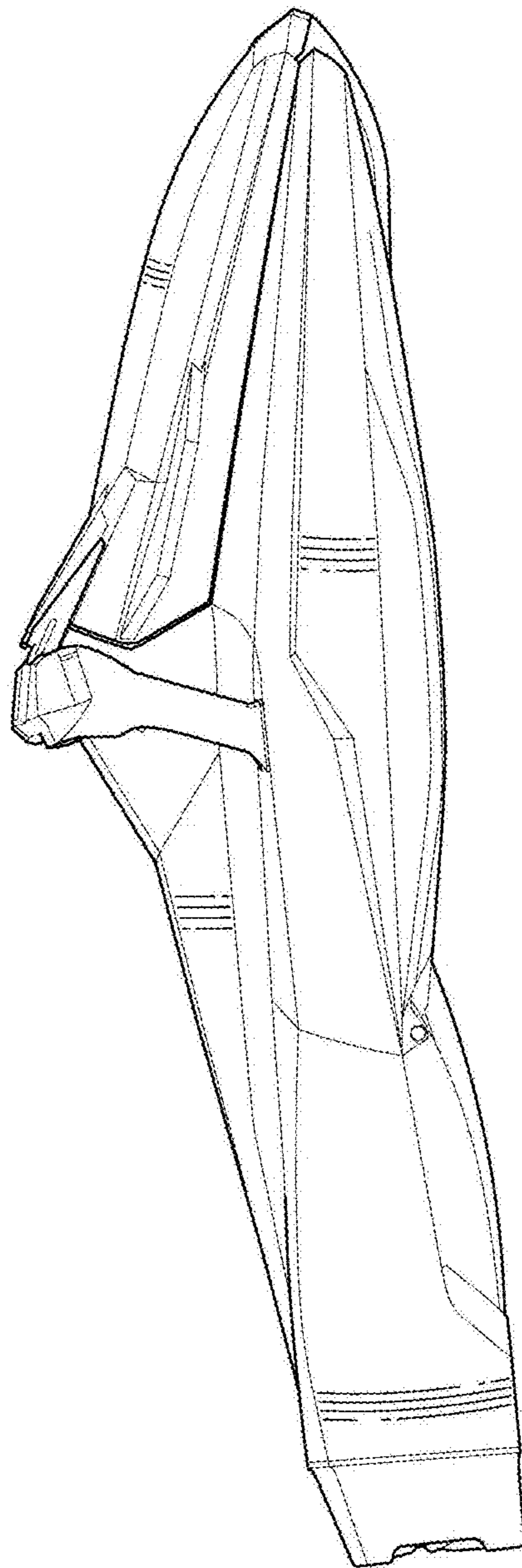
1.1



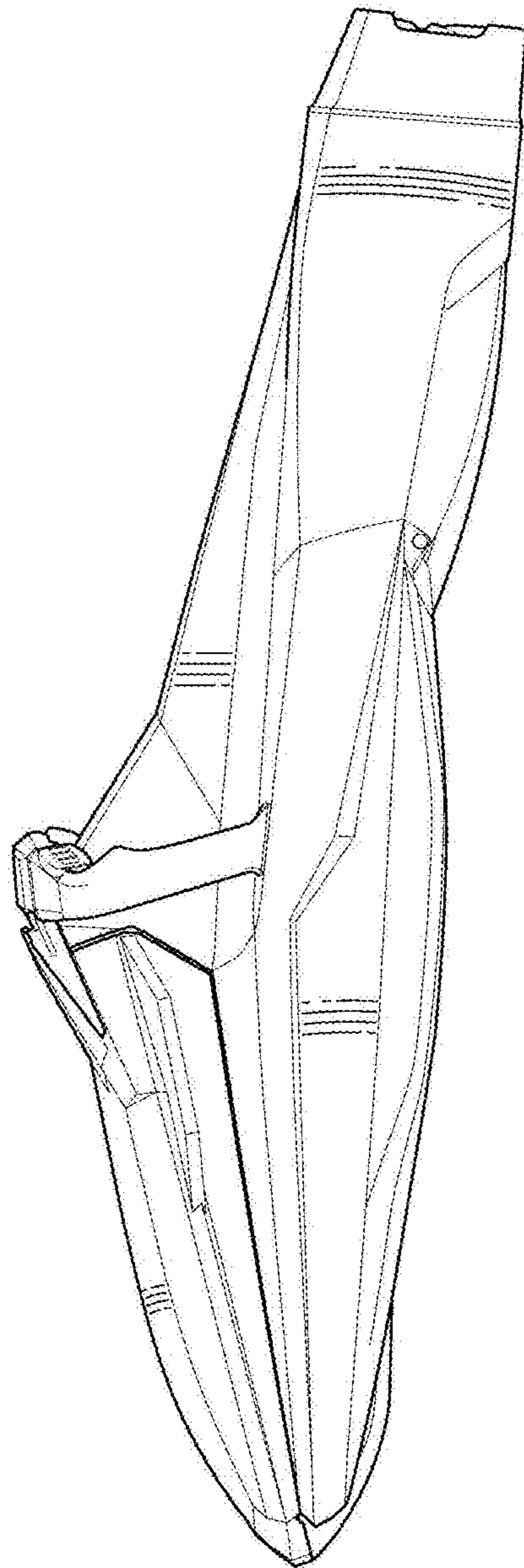
1.2



1.3

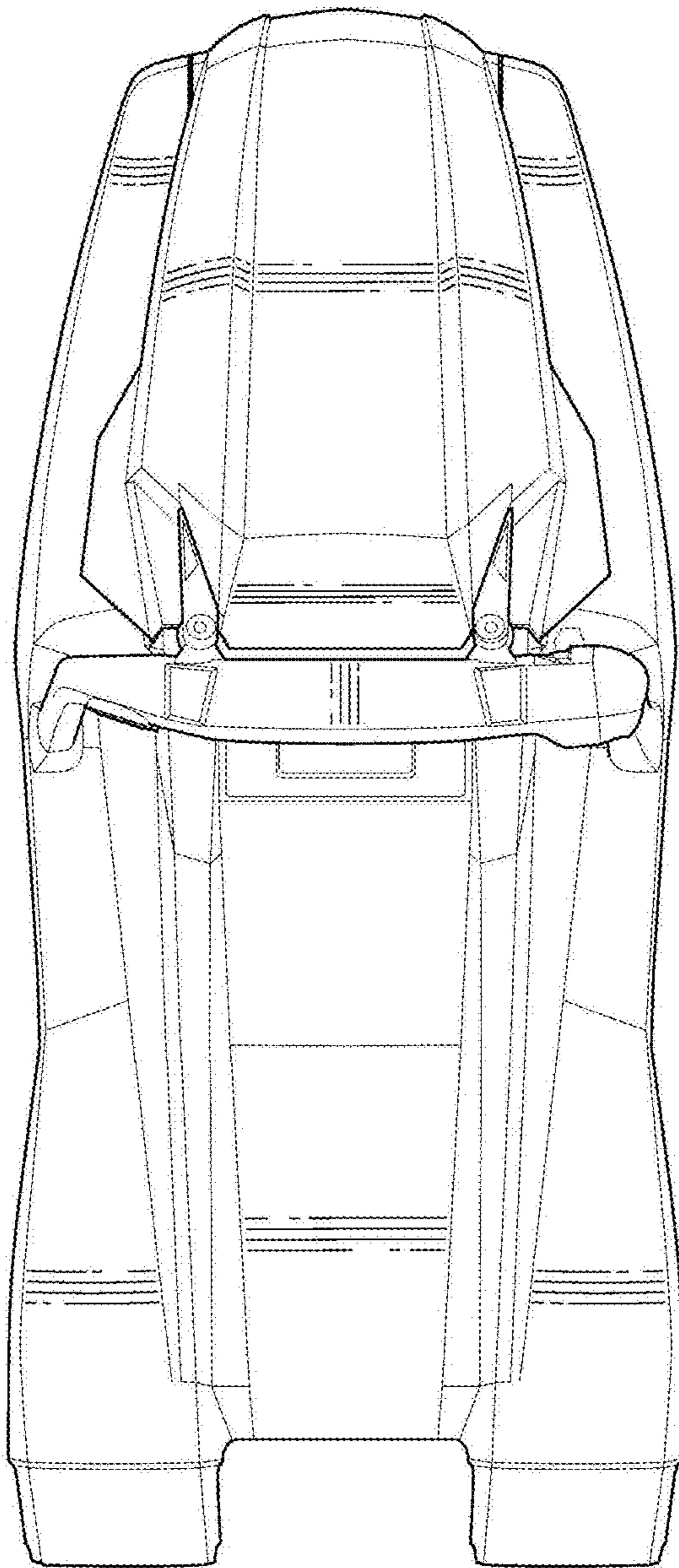


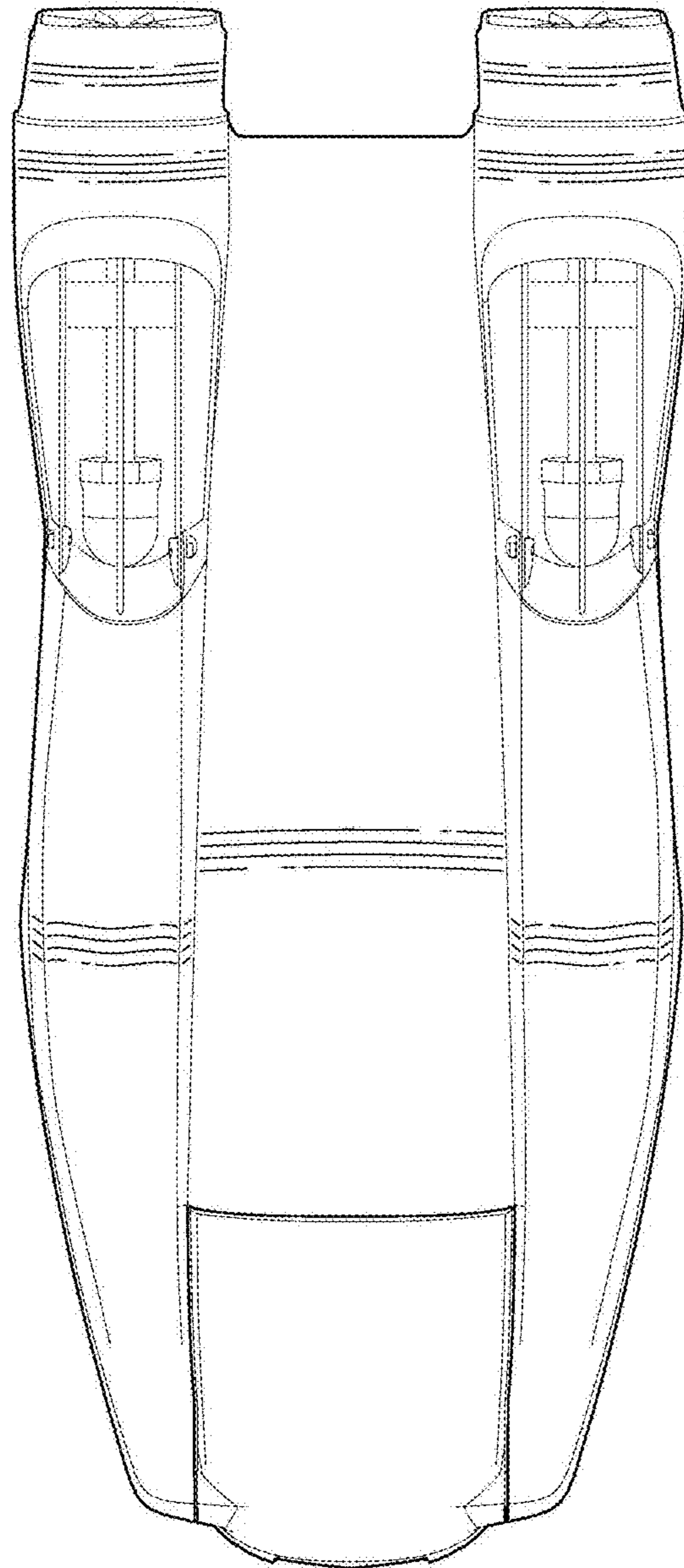
1.4



1.5

1.6





1.7