



US00D956157S

(12) **United States Design Patent** (10) **Patent No.:** **US D956,157 S**
Peterson et al. (45) **Date of Patent:** **** *Jun. 28, 2022**

(54) **DOMED AND DIMPLED GOLF BALL MARKER**

3,099,450 A 7/1963 Randall
3,540,735 A 11/1970 Miller
D220,769 S 5/1971 LaHue

(71) Applicant: **On Point Ball Marker LLC**, Basalt, CO (US)

(Continued)

FOREIGN PATENT DOCUMENTS

(72) Inventors: **Briston Peterson**, Basalt, CO (US);
James Joseph Verna, Basalt, CO (US)

CA 2920230 A 2/2015
KR 20080005443 U 11/2008
KR 20090058485 A 6/2009

(73) Assignee: **On Point Ball Marker LLC**, Basalt, CO (US)

OTHER PUBLICATIONS

(*) Notice: This patent is subject to a terminal disclaimer.

U.S. Appl. No. 16/358,265, Non final Office Action dated Mar. 31, 2020, 15 pp.

(**) Term: **15 Years**

(Continued)

(21) Appl. No.: **29/740,638**

Primary Examiner — Mitchell I. Siegel

(22) Filed: **Jul. 6, 2020**

(74) *Attorney, Agent, or Firm* — Lathrop GPM LLP

Related U.S. Application Data

(63) Continuation of application No. 29/672,877, filed on Dec. 10, 2018, now Pat. No. Des. 889,580, which is a continuation-in-part of application No. 29/655,568, filed on Jul. 5, 2018, now Pat. No. Des. 872,817.

(51) **LOC (13) Cl.** **21-02**

(52) **U.S. Cl.**
USPC **D21/794**

(58) **Field of Classification Search**
USPC D21/793–794, 789
CPC A63B 57/353; A63B 57/207; A63B 57/00;
A63B 57/30; A63B 57/35; A63B 57/50
See application file for complete search history.

(57) **CLAIM**

The ornamental design for a domed and dimpled golf ball maker, as shown and described.

DESCRIPTION

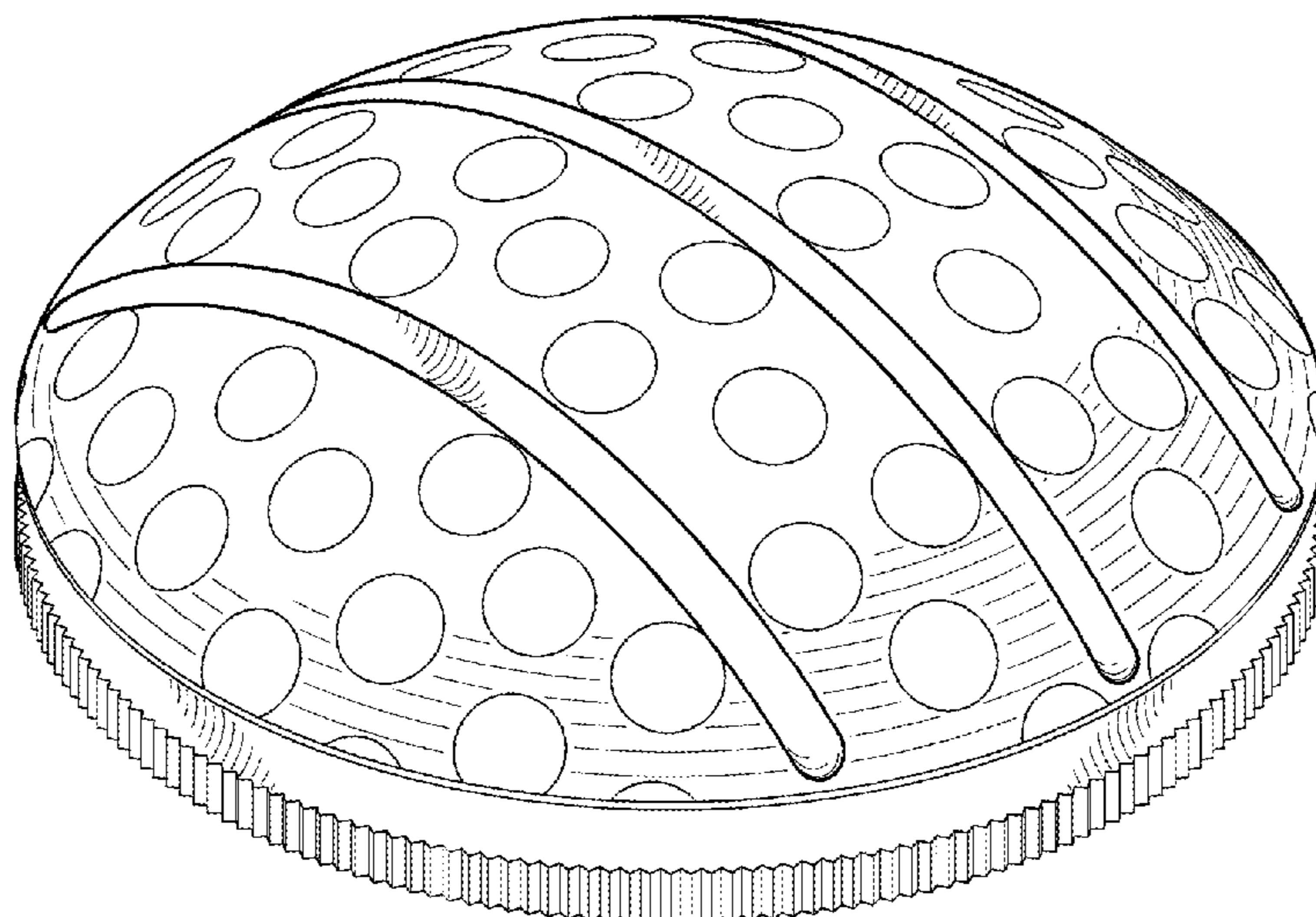
FIG. 1 is a perspective view of a domed and dimpled golf ball marker in accordance with the new design;
FIG. 2 is a top plan view of FIG. 1;
FIG. 3 is a front elevational view of FIG. 1;
FIG. 4 is a side elevational view of FIG. 1;
FIG. 5 is an exploded perspective view with the dome removed for clarity if illustration;
FIG. 6 is a top plan view of FIG. 5;
FIG. 7 is a perspective view of a second embodiment of the domed and dimpled golf ball marker in accordance with the new design;
FIG. 8 is a top plan view of FIG. 7;
FIG. 9 is a front elevational view of FIG. 7; and,
FIG. 10 is a side elevational view of FIG. 7.
The broken lines shown on FIGS. 1-10 form no part of the claimed design.

(56) **References Cited**

U.S. PATENT DOCUMENTS

1,541,504 A 6/1925 Hunter
1,558,078 A 10/1925 Darby
1,789,525 A * 1/1931 Hoff E01F 9/553
404/15
2,388,463 A 11/1945 Benecke

1 Claim, 10 Drawing Sheets



(56)

References Cited

U.S. PATENT DOCUMENTS

3,700,244 A 10/1972 Liotta
 3,759,527 A 9/1973 Witherspoon
 4,017,082 A 4/1977 Channing
 4,128,238 A 12/1978 Newcomb
 4,858,925 A 8/1989 Destefano, Jr.
 5,305,999 A 4/1994 Tate
 5,417,426 A 5/1995 Bayer
 D361,558 S 8/1995 Siano, Jr.
 5,437,446 A * 8/1995 Youngkin A63B 69/3676
 473/409
 5,476,258 A 12/1995 Frisone
 5,478,612 A 12/1995 Hack
 D373,115 S 8/1996 Logan
 D378,516 S 3/1997 Smith
 5,743,180 A * 4/1998 Arnke A63B 45/02
 101/35
 5,795,248 A 8/1998 Giglio
 D400,440 S 11/1998 Tucker
 6,077,174 A * 6/2000 Noritake A63B 57/353
 473/406
 6,095,933 A 8/2000 Smith
 6,125,747 A * 10/2000 Elliott A63B 45/02
 101/35
 6,383,086 B1 5/2002 Flood
 6,422,955 B1 7/2002 Lopez
 D503,085 S 3/2005 McGrath, Jr.
 D526,239 S 8/2006 Porter
 D527,066 S 8/2006 Greiner
 D540,902 S 4/2007 Regalado
 D554,725 S * 11/2007 Park D21/793
 D588,670 S 3/2009 Walz
 7,549,930 B2 6/2009 Rice
 D605,719 S 12/2009 Bernal-Silva
 D607,527 S 1/2010 Bernal-Silva
 7,654,920 B2 * 2/2010 Perry A63B 45/02
 473/408
 D616,953 S * 6/2010 Shinki D21/794
 D622,799 S * 8/2010 Cameron A63B 59/50
 D21/794

7,819,762 B2 10/2010 Bernal-Silva
 D630,284 S 1/2011 Desrosiers
 D632,351 S 2/2011 Scott
 7,922,605 B2 4/2011 Lim
 8,016,698 B2 * 9/2011 Cameron A63B 57/50
 473/406
 8,057,326 B2 11/2011 Woodbury
 D654,539 S 2/2012 Hobbs
 D661,761 S * 6/2012 Cameron D21/794
 8,216,091 B2 7/2012 Neal
 8,313,393 B1 11/2012 Toxen
 D704,291 S * 5/2014 Snyder D21/794
 D721,152 S * 1/2015 Kokoska D21/794
 D736,334 S 8/2015 Perry
 D741,972 S 10/2015 McDevitt
 D816,178 S 4/2018 Goserud
 D837,325 S 1/2019 Dardenne
 D849,508 S 5/2019 Shorr
 D872,817 S * 1/2020 Peterson D21/794
 D889,580 S * 7/2020 Peterson D21/794
 D892,248 S 8/2020 Beard
 D907,153 S 1/2021 Peterson
 D914,821 S 3/2021 Leposky
 2011/0053711 A1 3/2011 Trafford
 2012/0210615 A1 8/2012 Coney
 2015/0065271 A1 3/2015 Peterson
 2017/0087436 A1 3/2017 Peterson
 2017/0164152 A1 6/2017 Rosenthal
 2018/0345101 A1 12/2018 Youn
 2019/0282871 A1 9/2019 Peterson

OTHER PUBLICATIONS

U.S. Appl. No. 29/672,877, Notice of Allowance dated Jun. 4, 2020, 11 pp.
 U.S. Appl. No. 16/358,265, Office Action dated Aug. 25, 2020, 11 pp.
 U.S. Appl. No. 16/358,265, Final Office Action dated Feb. 3, 2021, 7 pp.
 U.S. Appl. No. 29/720,443, Non final Office Action dated May 11, 2021, 9 pp.

* cited by examiner

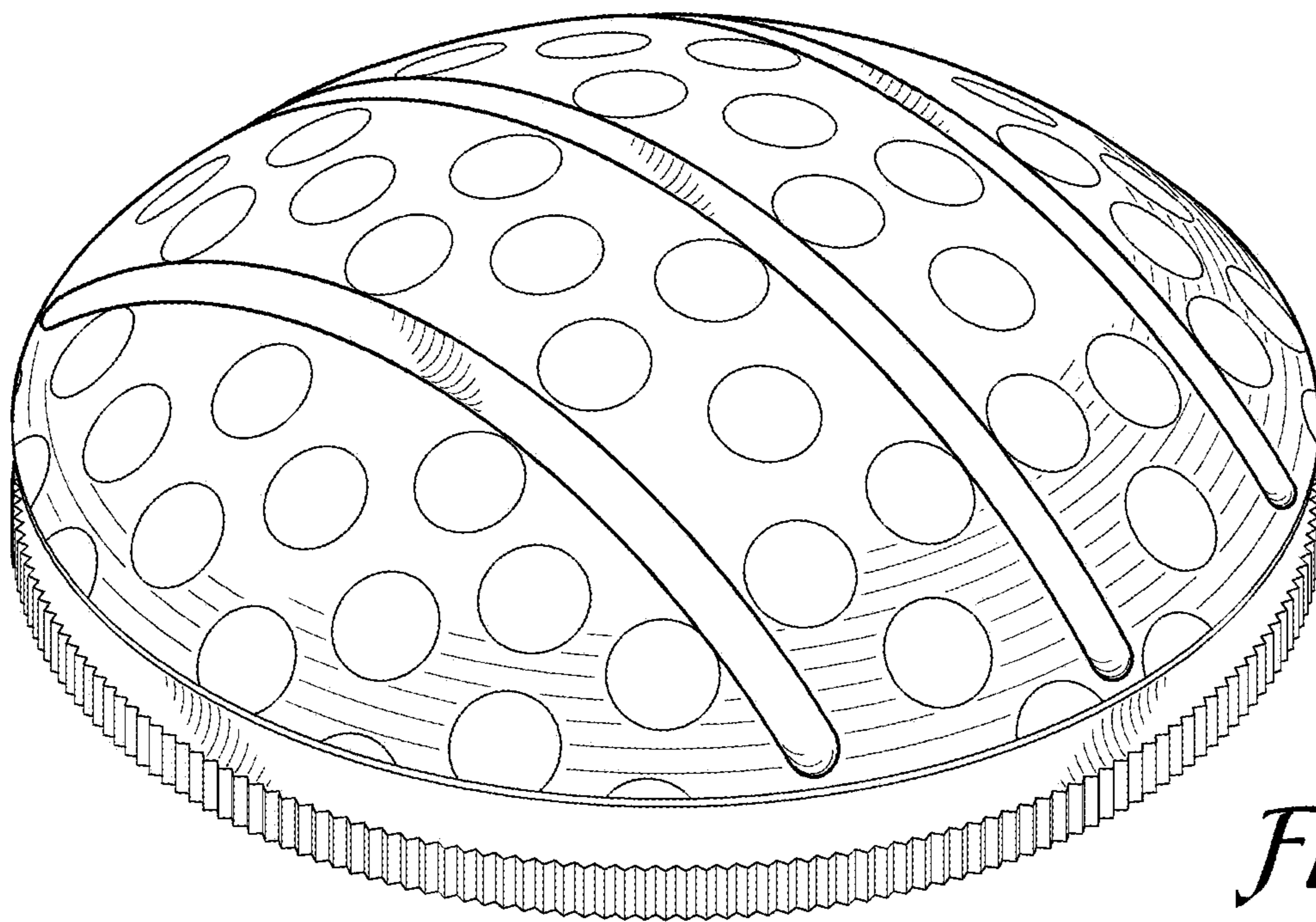


Fig. 1

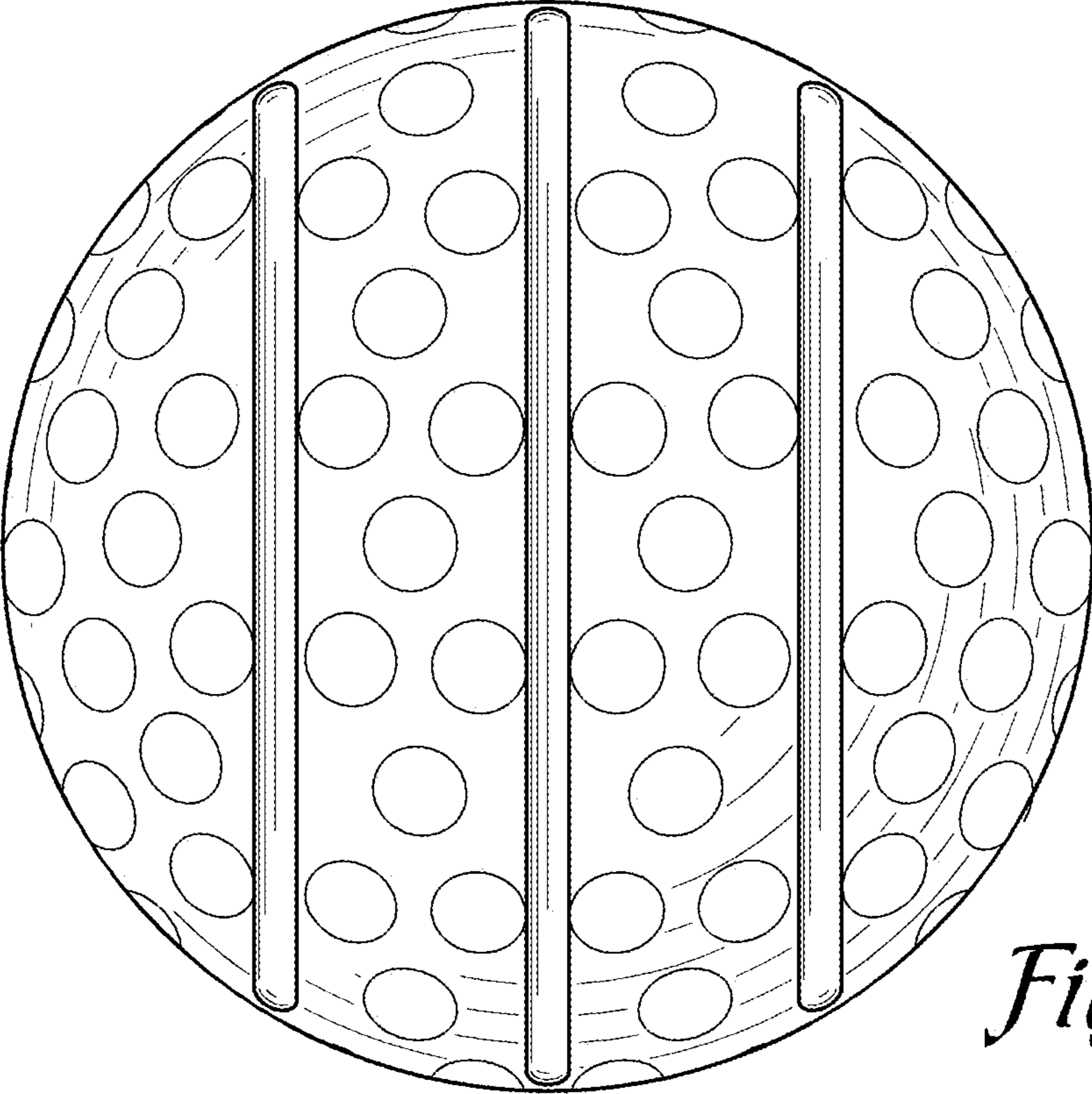


Fig. 2

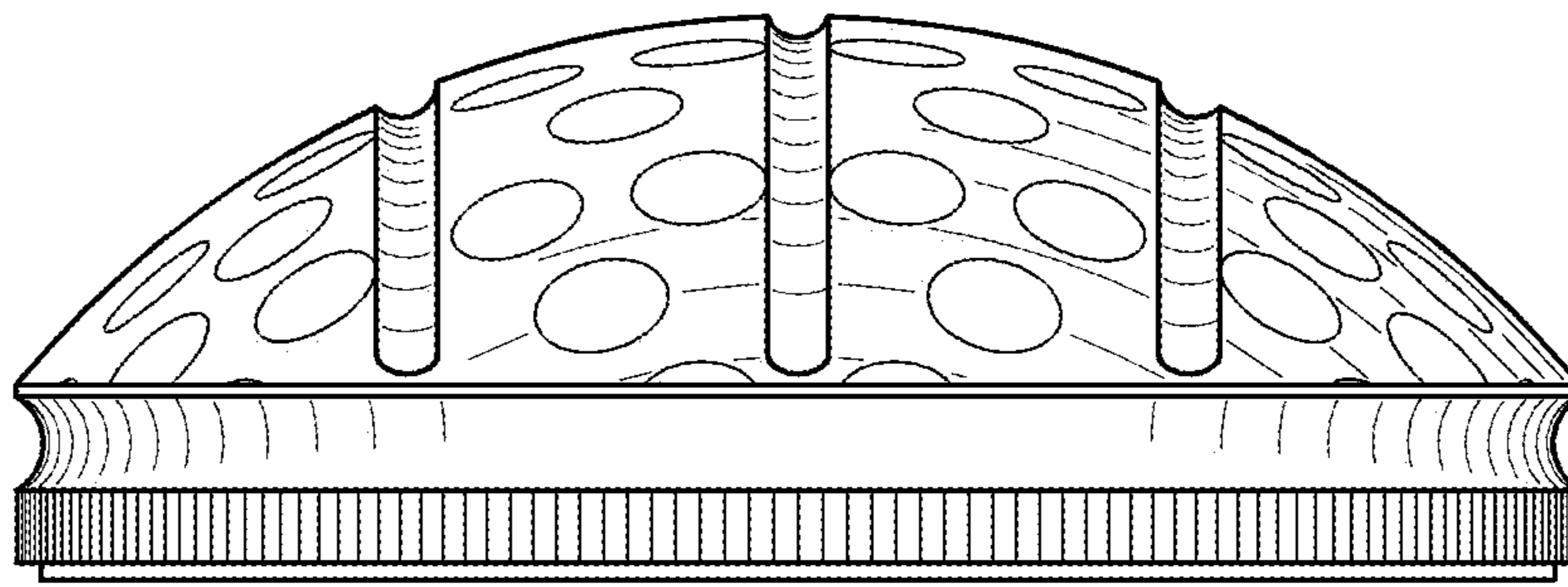


Fig. 3

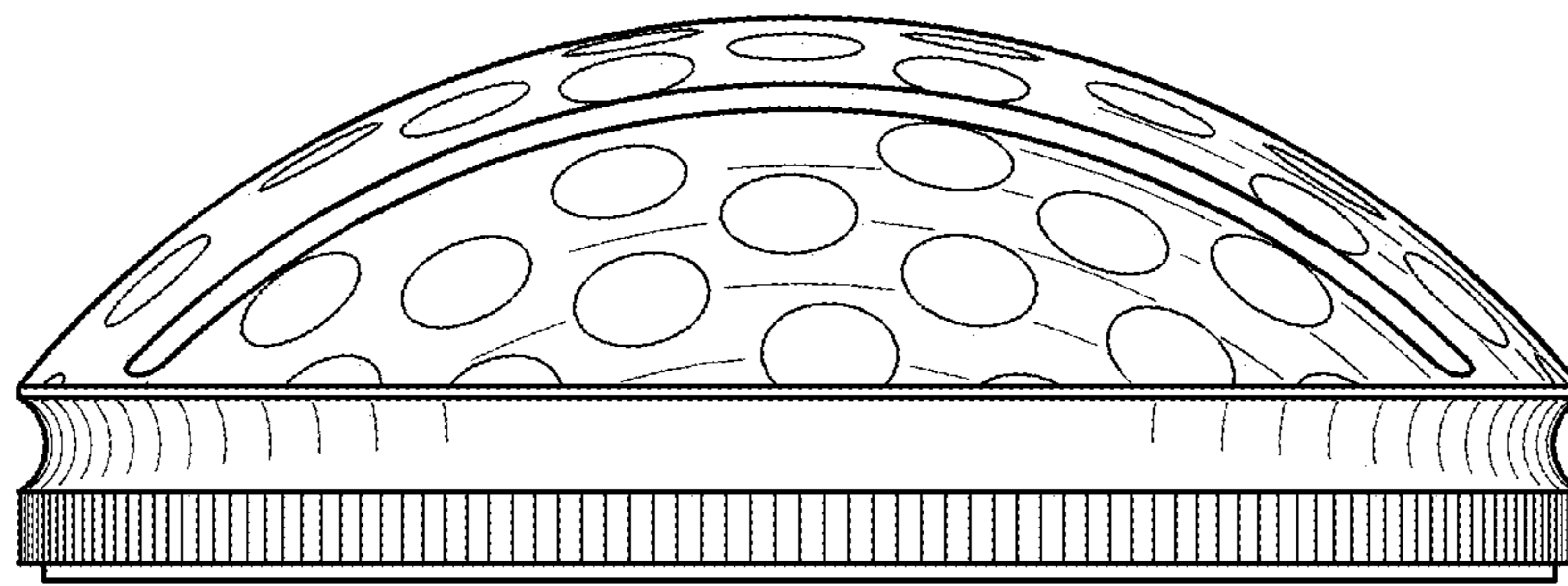


Fig. 4

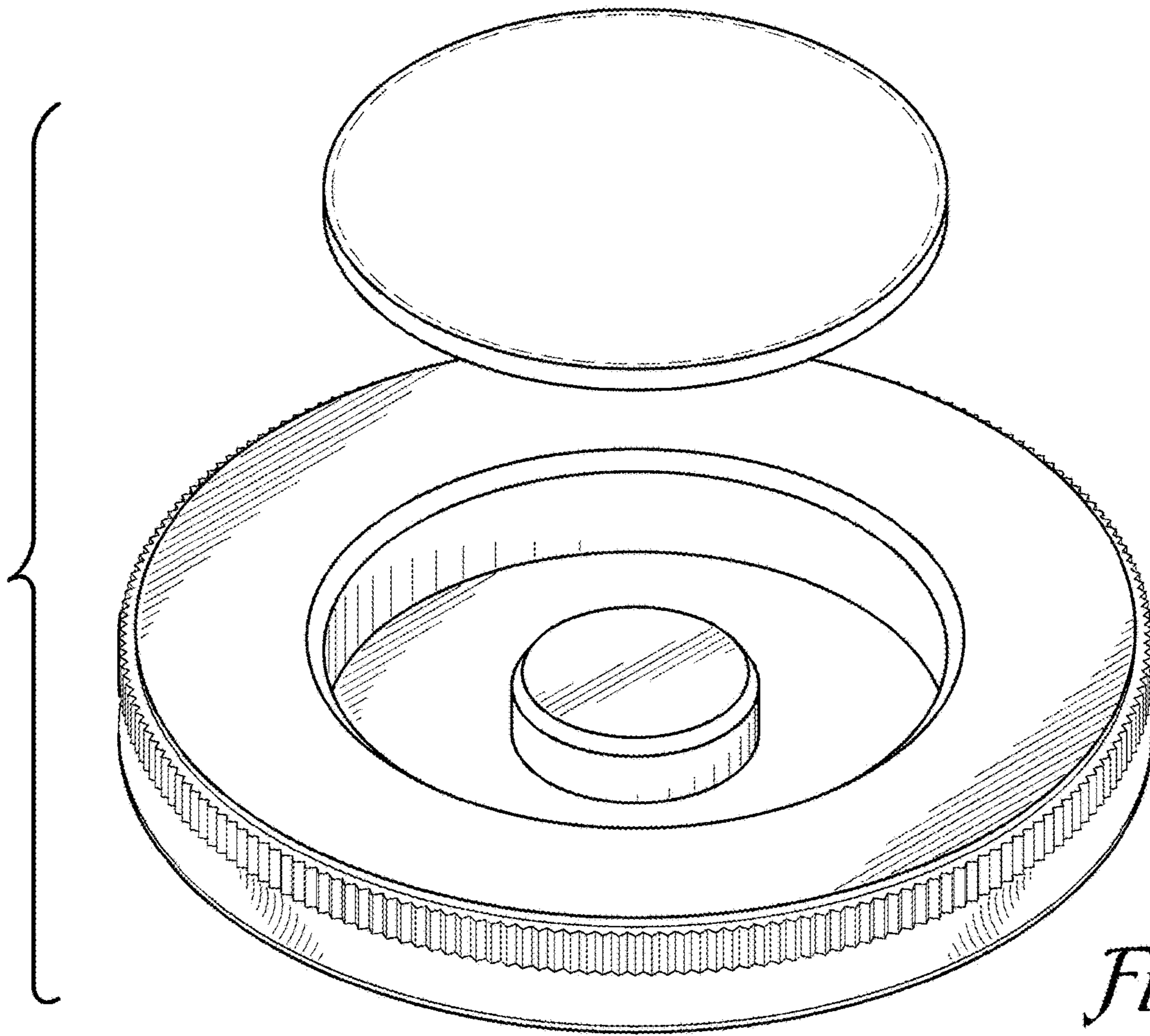


Fig. 5

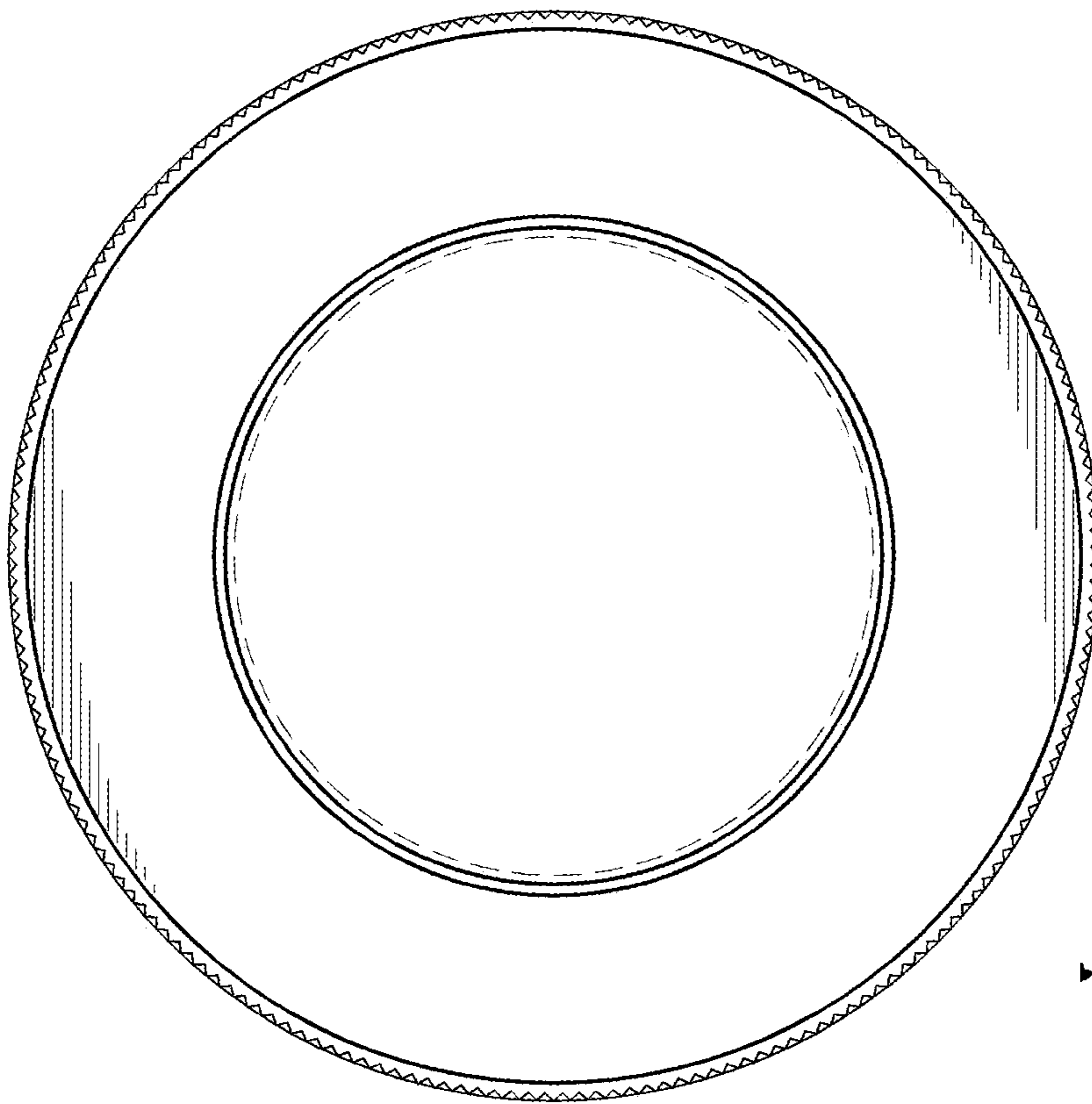


Fig. 6

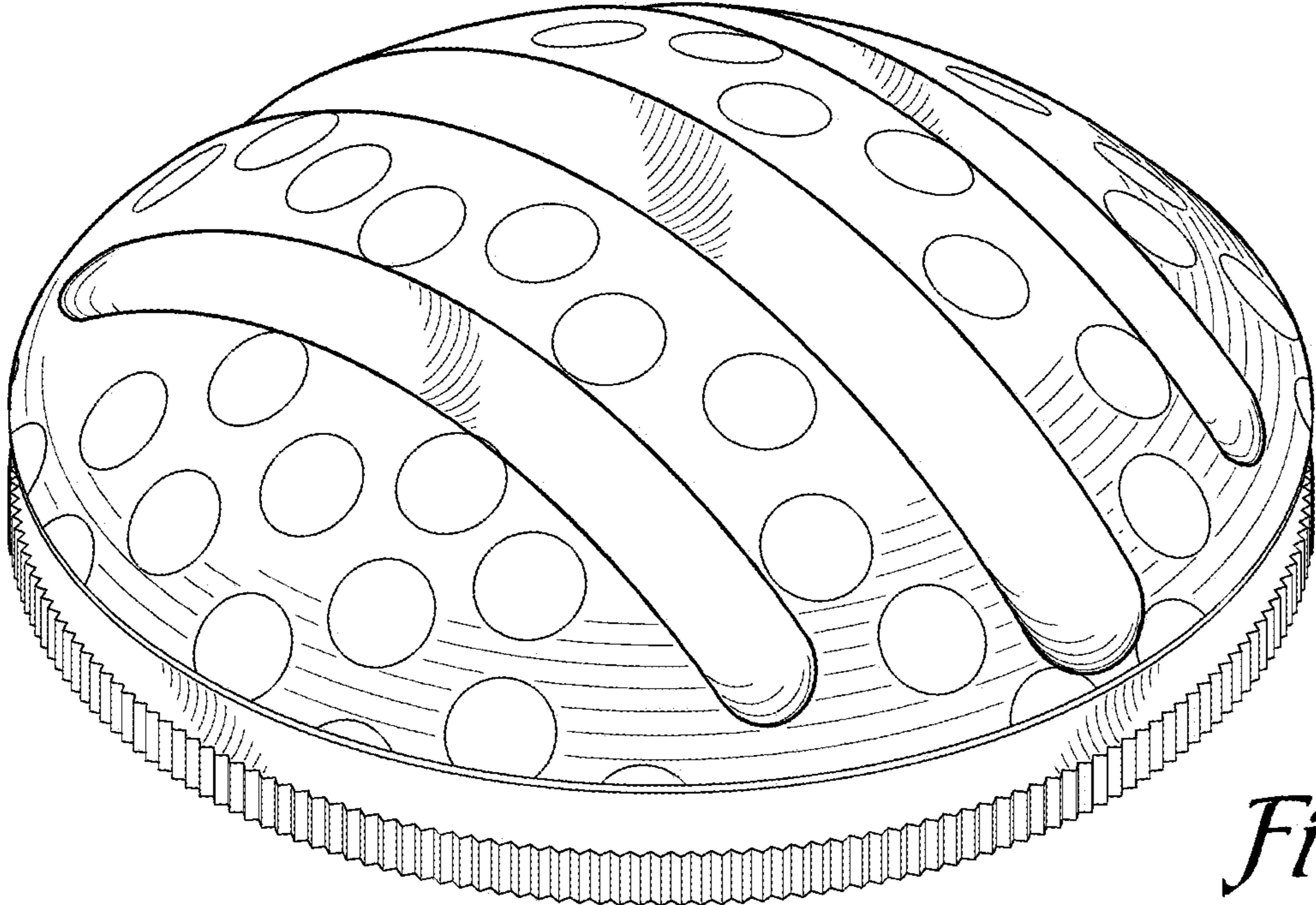


Fig. 7

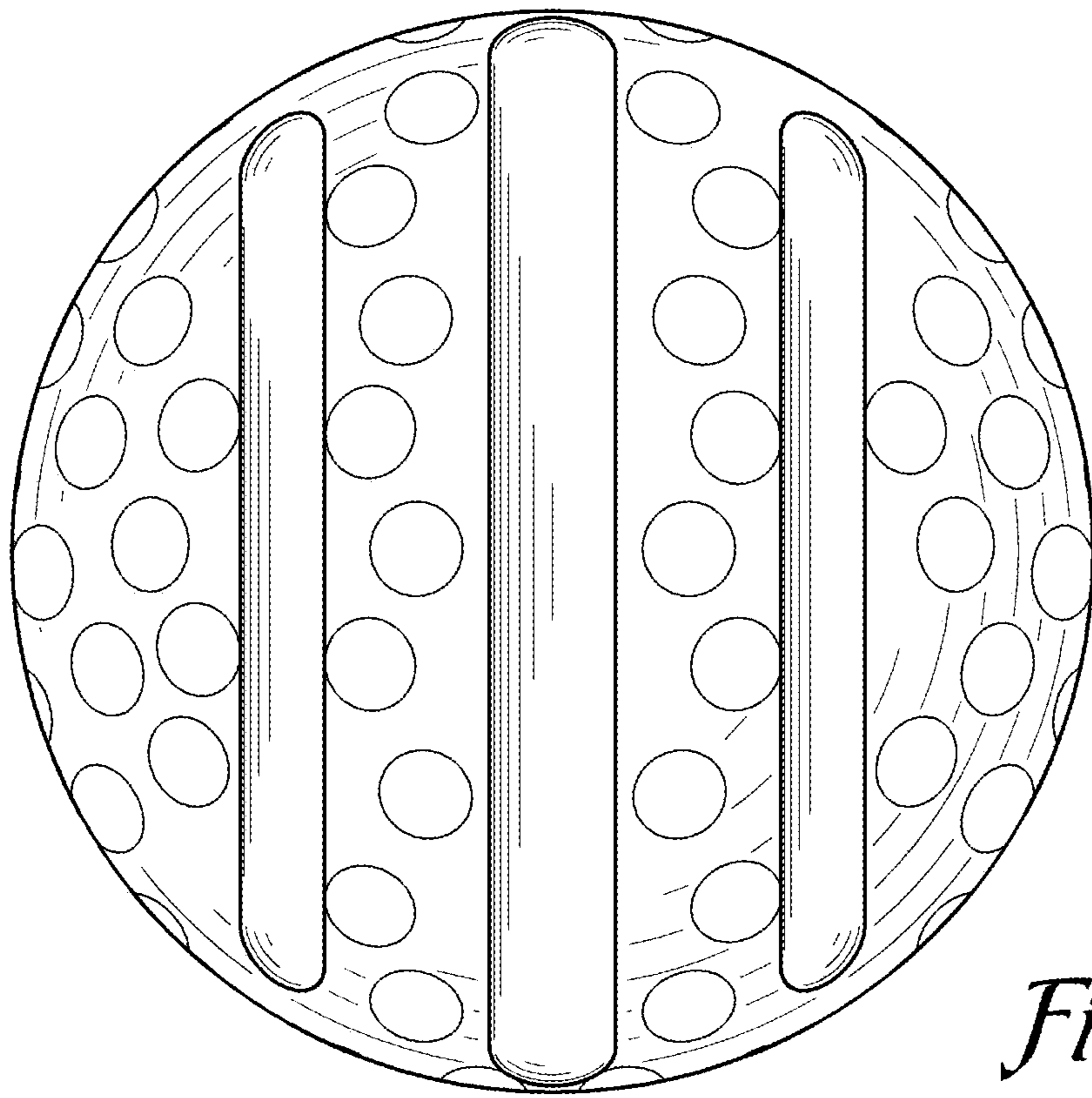


Fig. 8

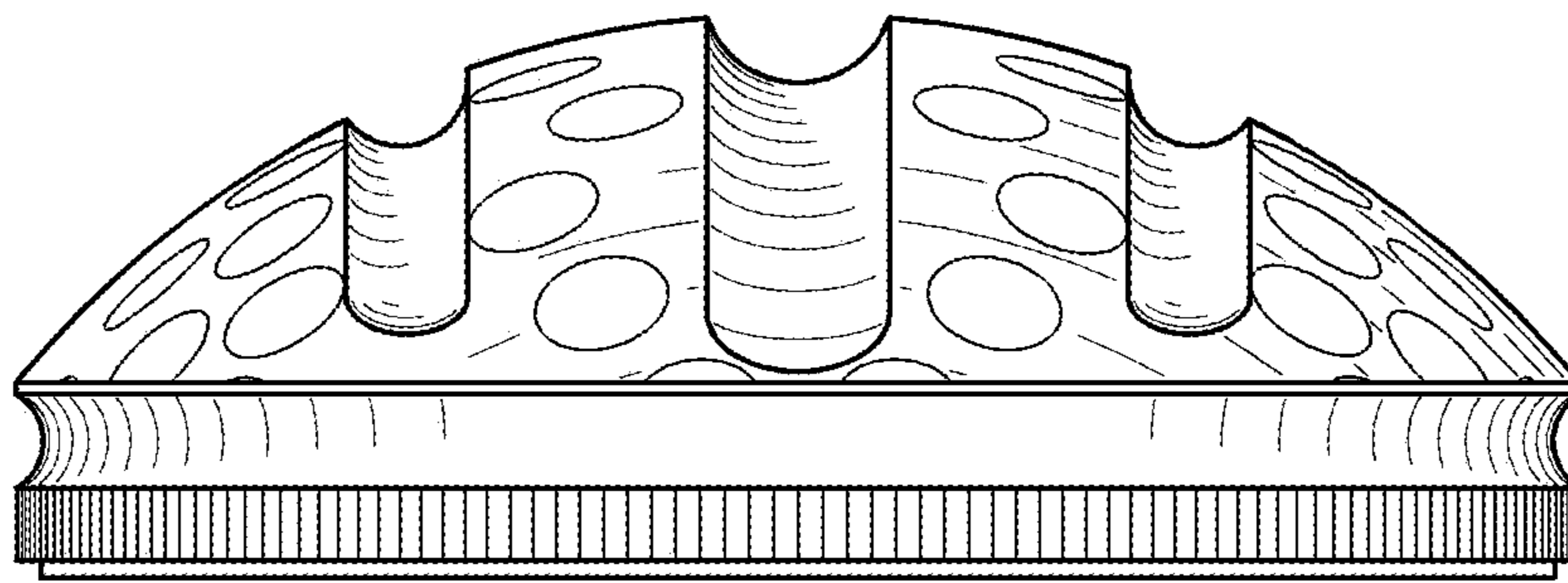


Fig. 9

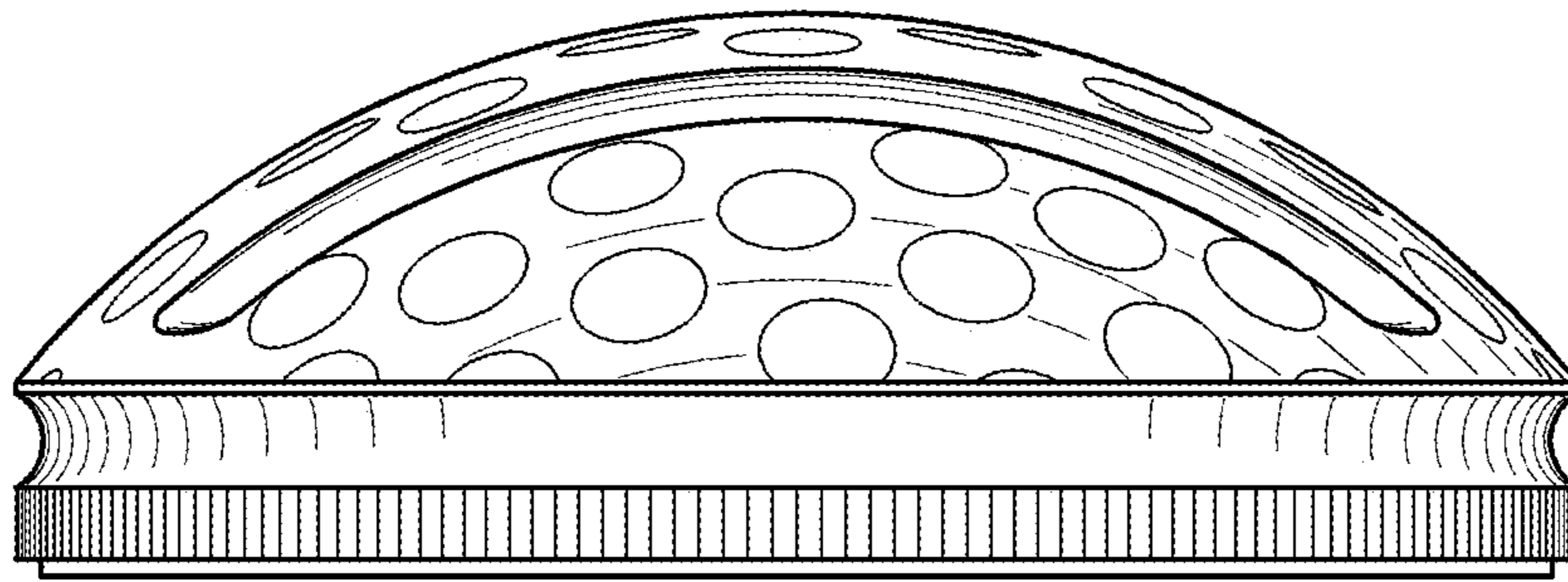


Fig. 10