



US00D956154S

(12) **United States Design Patent**
ÀWengen

(10) **Patent No.:** **US D956,154 S**
(45) **Date of Patent:** **** Jun. 28, 2022**

(54) **GOLF PUTTER**

(71) Applicant: **Daniel F. À Wengen**, Binningen (CH)

(72) Inventor: **Daniel F. À Wengen**, Binningen (CH)

(**) Term: **15 Years**

(21) Appl. No.: **29/701,742**

(22) Filed: **Aug. 14, 2019**

D722,661 S *	2/2015	Hough	D21/743
D791,890 S	7/2017	Davis		
D791,891 S	7/2017	Davis		
D794,146 S	8/2017	Davis		
D797,871 S	9/2017	Sebo		
D799,615 S	10/2017	Kroloff		
D837,315 S *	1/2019	Rollinson	D21/743
D842,406 S *	3/2019	Toulon	D21/759
D849,165 S *	5/2019	Westrick	D21/736
D857,818 S *	8/2019	a Wengen	D21/736
D869,583 S *	12/2019	Rollinson	D21/743
D896,329 S *	9/2020	Rollinson	D21/743

* cited by examiner

Related U.S. Application Data

(63) Continuation of application No. 35/502,762, filed on Nov. 4, 2016 (U.S. filing date under 35 U.S.C. 384), and having an international filing date of Nov. 4, 2016, now Pat. No. Des. 857,818.

(51) **LOC (13) Cl.** **21-02**

(52) **U.S. Cl.**
USPC **D21/736**

(58) **Field of Classification Search**
USPC D21/736-746, 756
CPC A63B 53/00; A63B 53/04; A63B 53/007;
A63B 53/065; A63B 53/0487; A63B
60/00; A63B 60/46
See application file for complete search history.

(56) **References Cited**

U.S. PATENT DOCUMENTS

D403,387 S	12/1998	Bloomer		
D521,581 S	5/2006	Johnson		
D609,762 S	2/2010	Mills		
D633,971 S *	3/2011	Cardani	D21/759
D636,828 S	4/2011	Ross		
D639,362 S *	6/2011	Davies	D21/744
D640,340 S	6/2011	Conley		
D682,957 S	5/2013	Welch		
D688,761 S	8/2013	Hilton		
D708,684 S *	7/2014	Myers	D21/743
D721,146 S *	1/2015	Hough	D21/744

Primary Examiner — Zenia I Bennett

(74) *Attorney, Agent, or Firm* — Knobbe, Martens, Olson & Bear, LLP

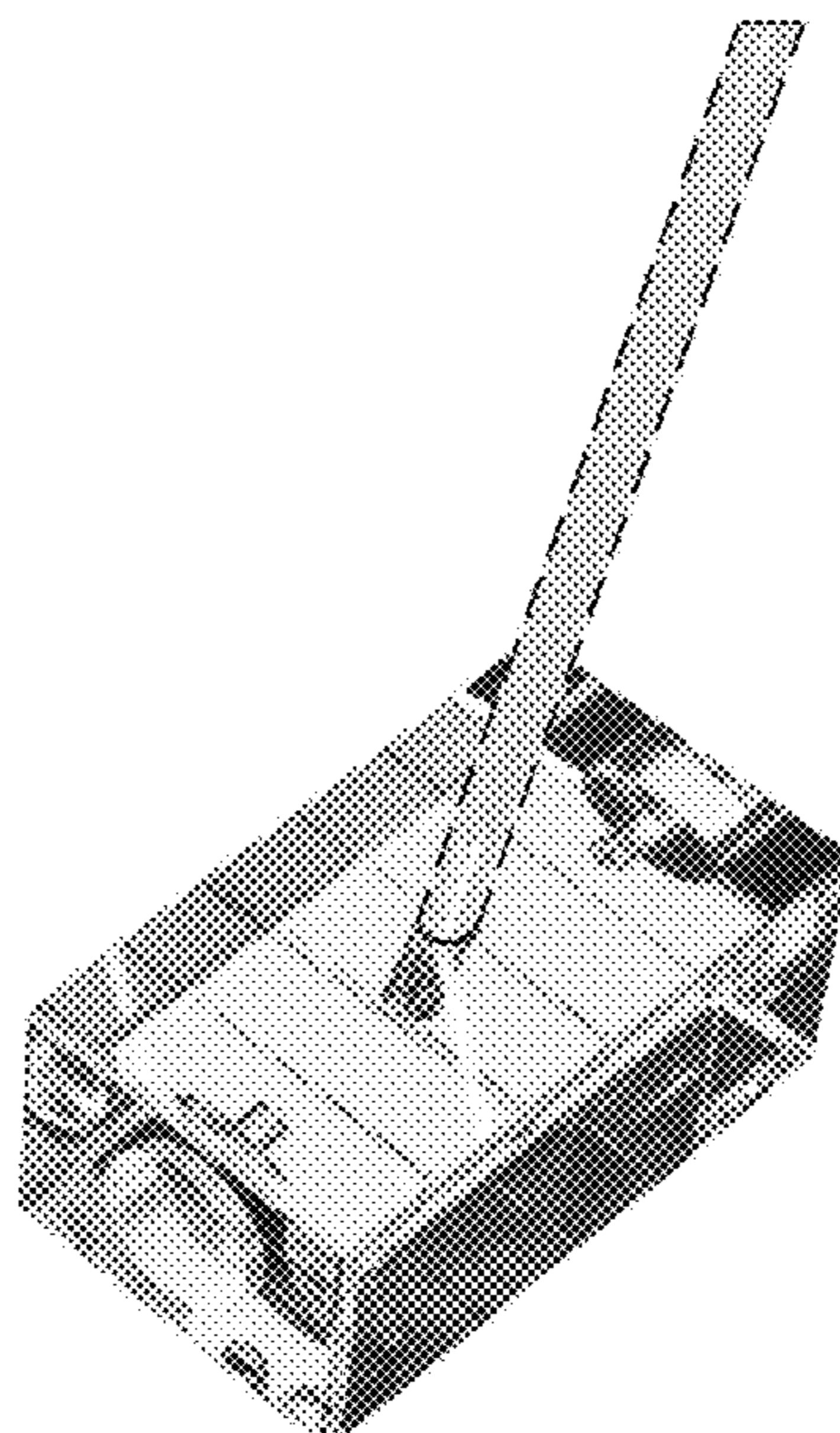
(57) **CLAIM**

The ornamental design for a golf putter, as shown and described.

DESCRIPTION

FIG. 1 is a first left side elevational view of a golf putter showing my new design;
FIG. 2 is a second left side elevational view thereof;
FIG. 3 is an enlarged left side elevational view thereof;
FIG. 4 is a left side view thereof, showing the golf putter in an angled position;
FIG. 5 is a right side view thereof, showing the golf putter in an angled position;
FIG. 6 is a front elevational view thereof;
FIG. 7 is an enlarged front elevational view thereof;
FIG. 8 is a top plan view thereof;
FIG. 9 is a bottom plan view thereof;
FIG. 10 is a top front left perspective view thereof; and,
FIG. 11 is an enlarged top front left perspective view thereof.
The broken lines in the views indicate environmental features that form no part of the claimed design.

1 Claim, 11 Drawing Sheets



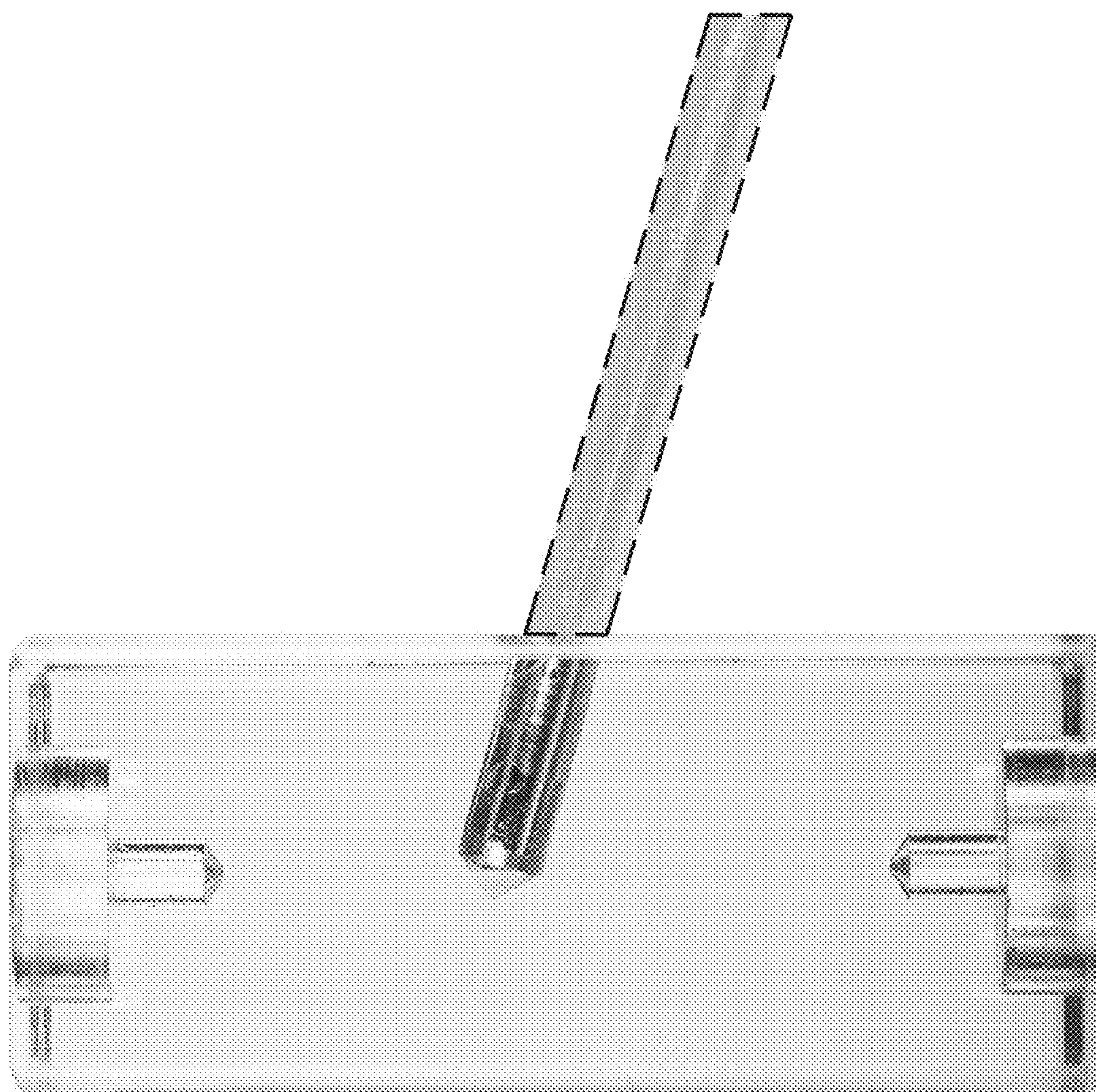


FIG. 1



FIG. 2

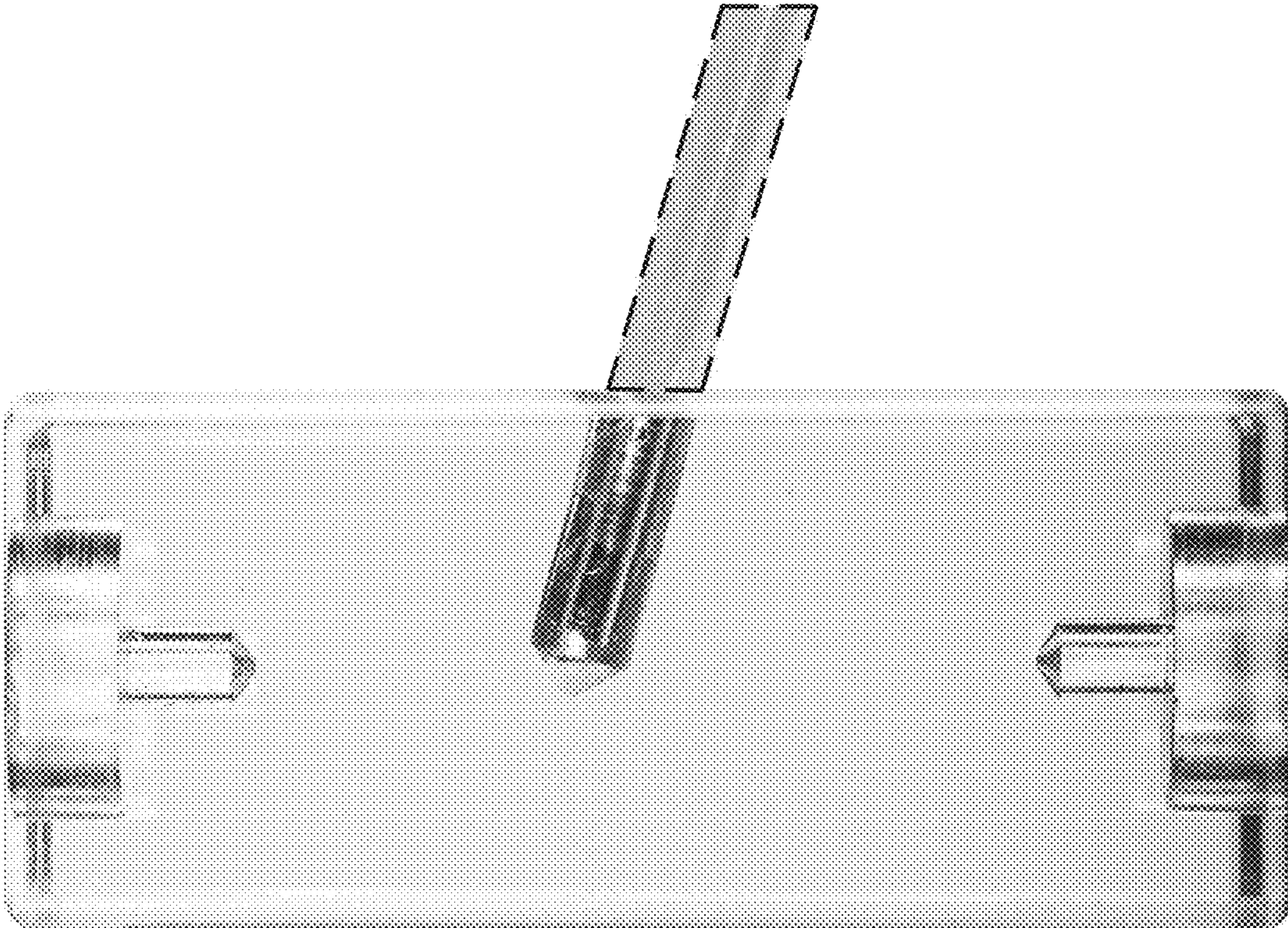


FIG. 3

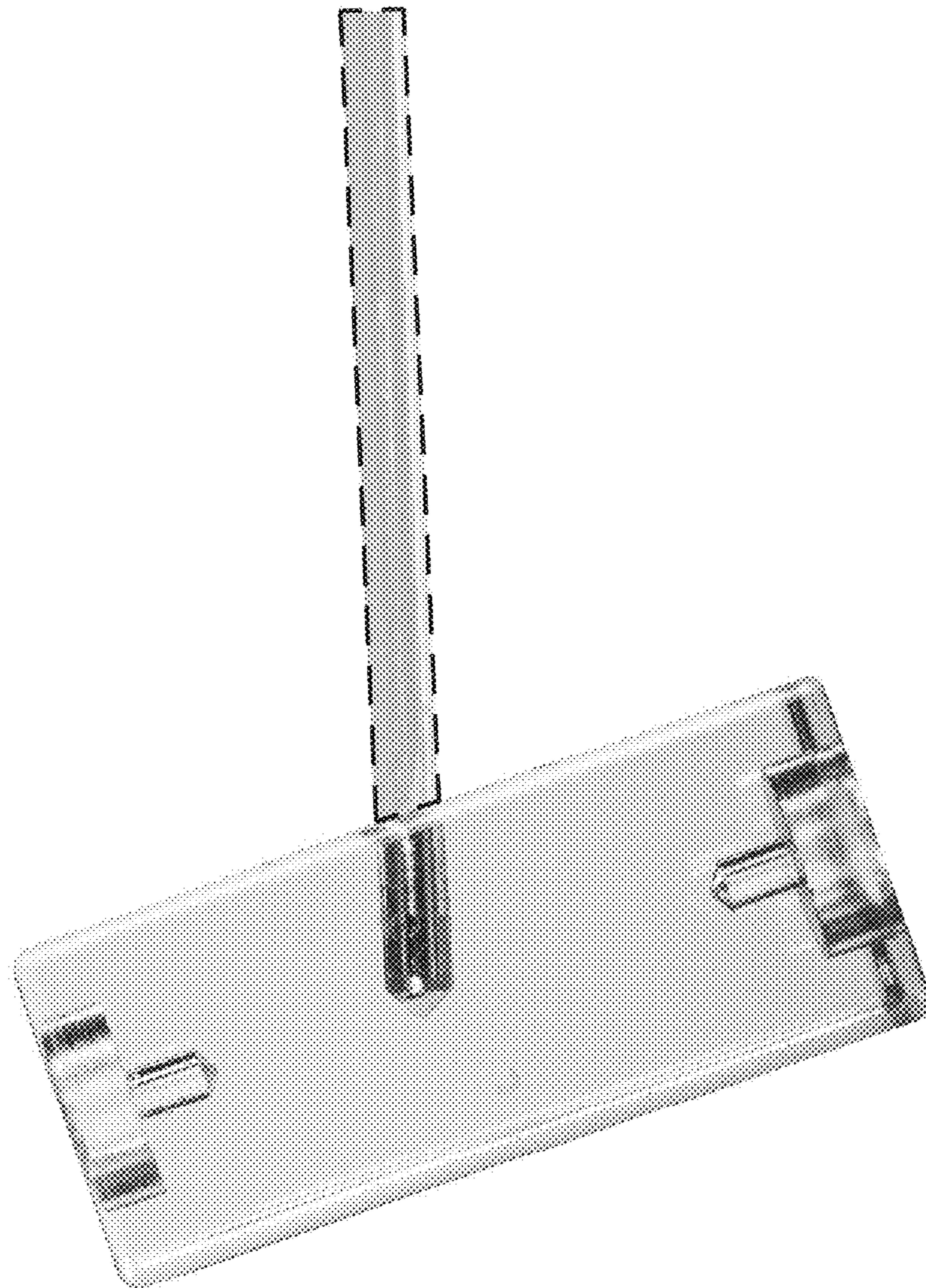


FIG. 4

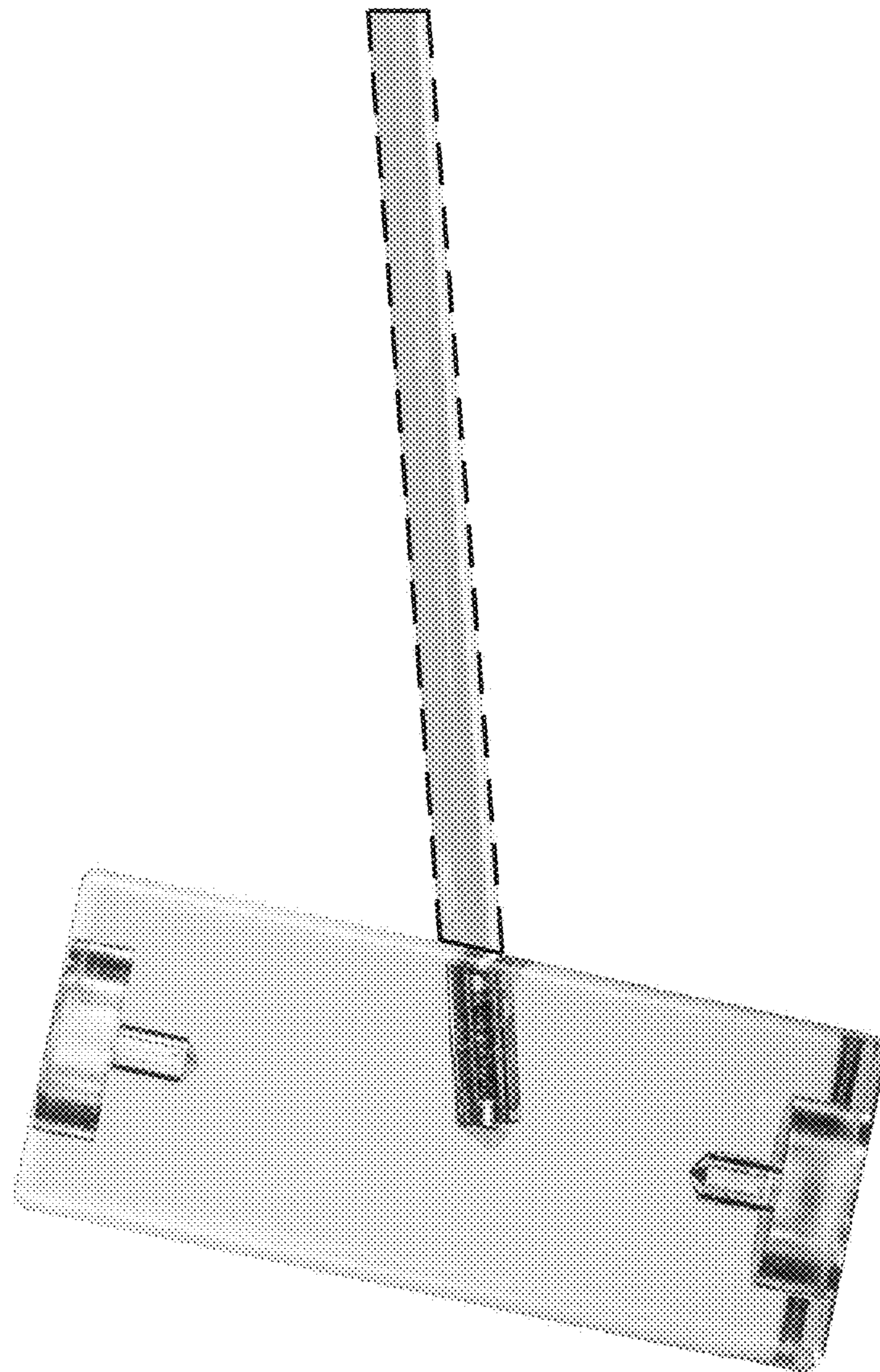


FIG. 5

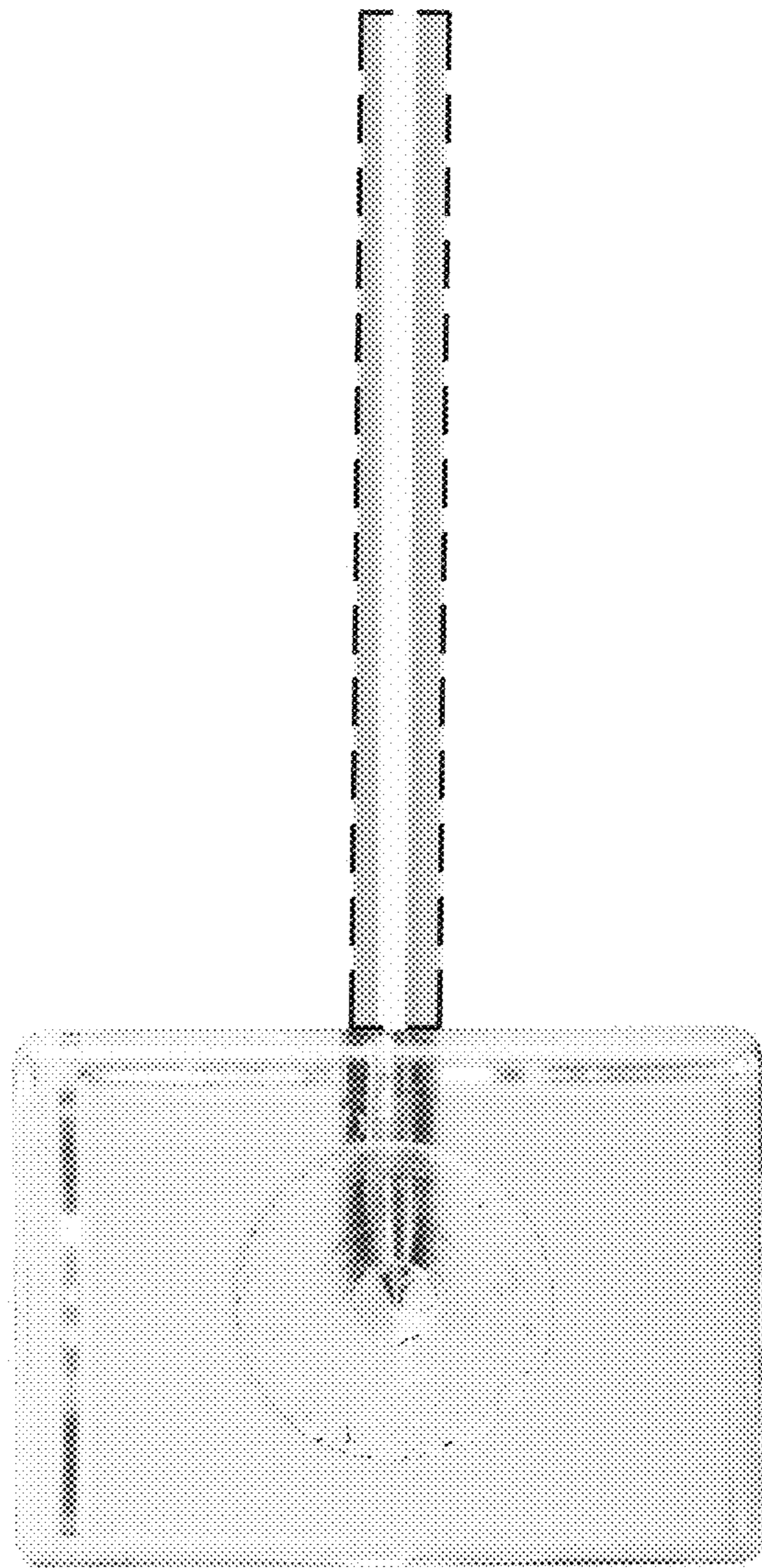


FIG. 6

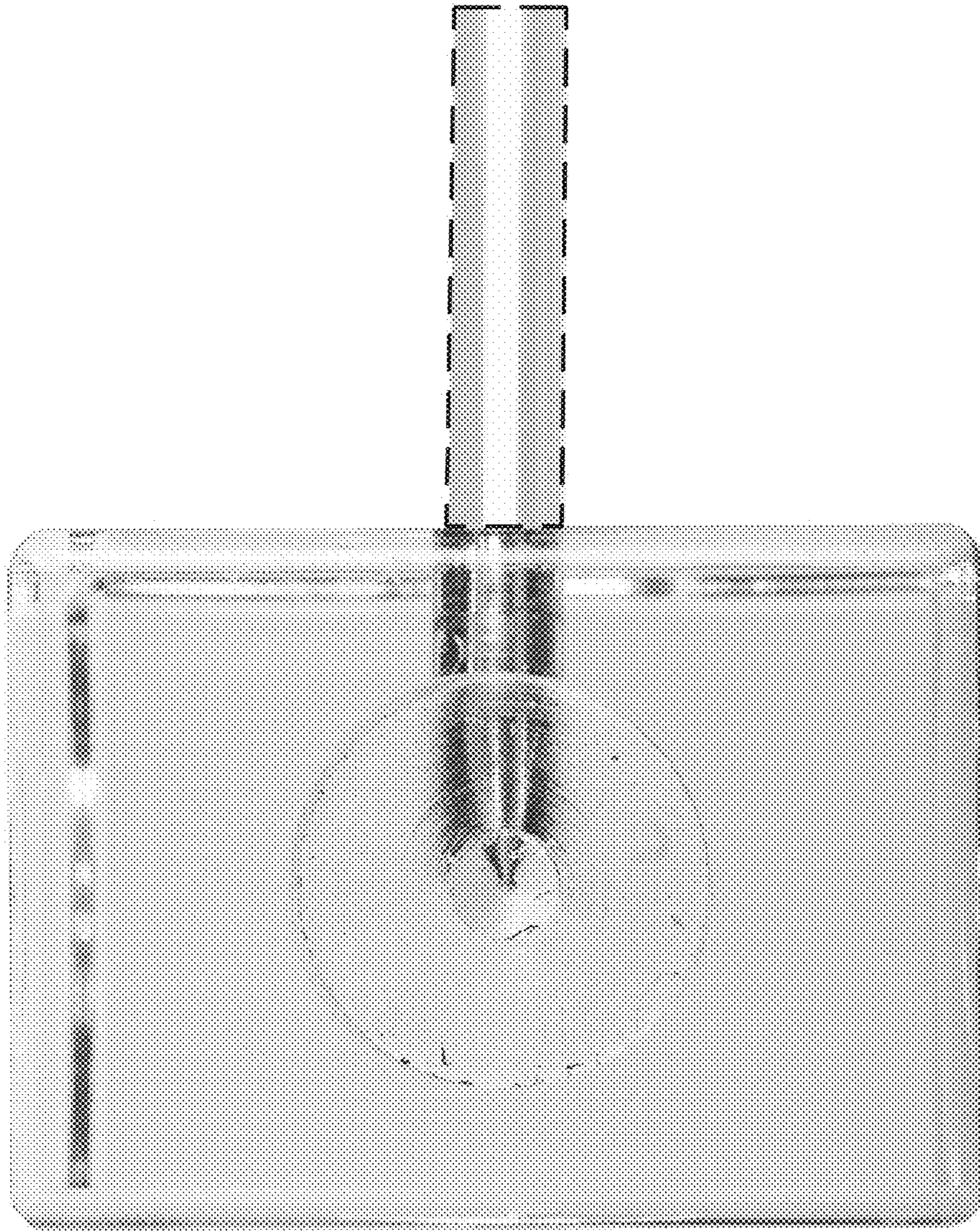


FIG. 7

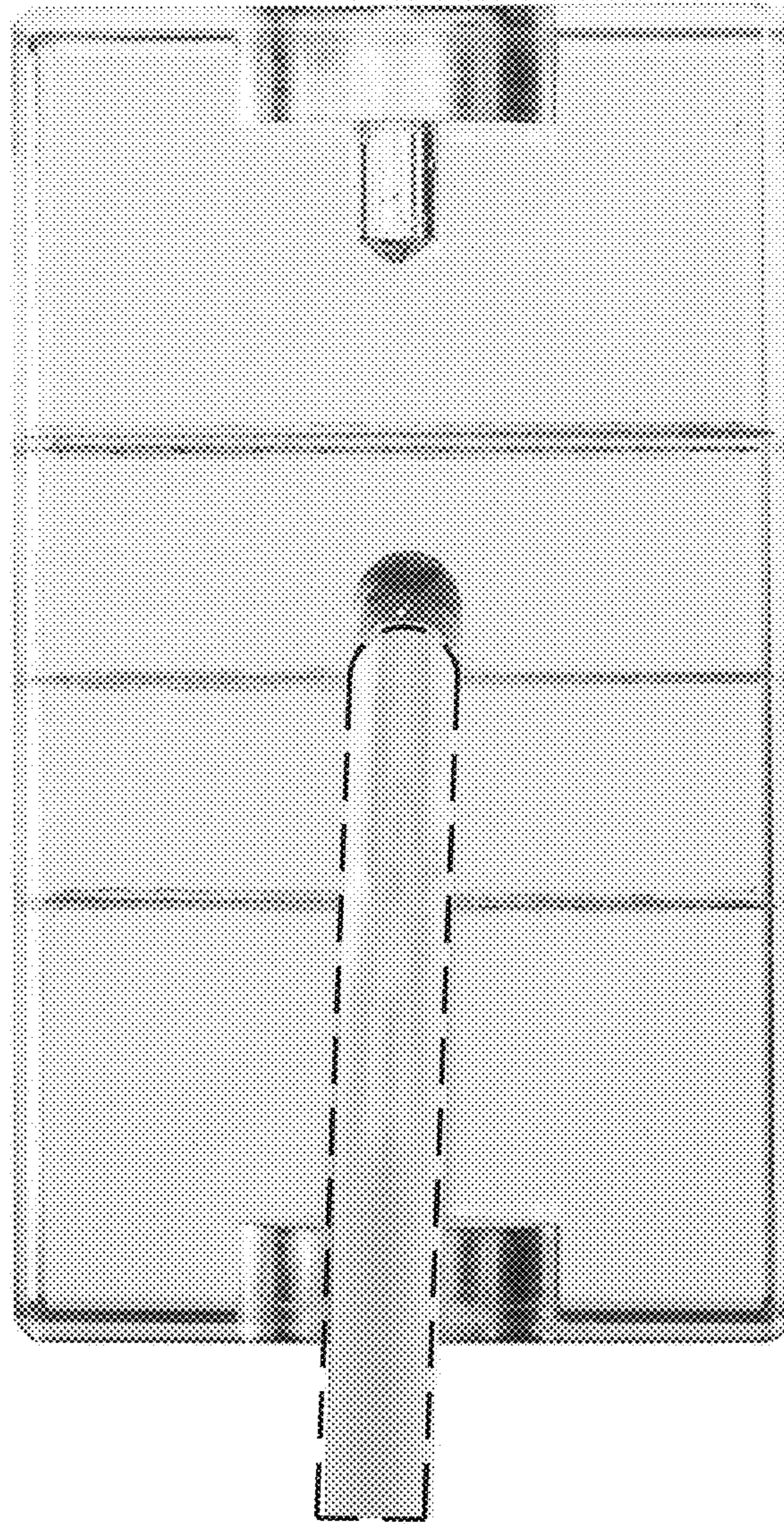


FIG. 8

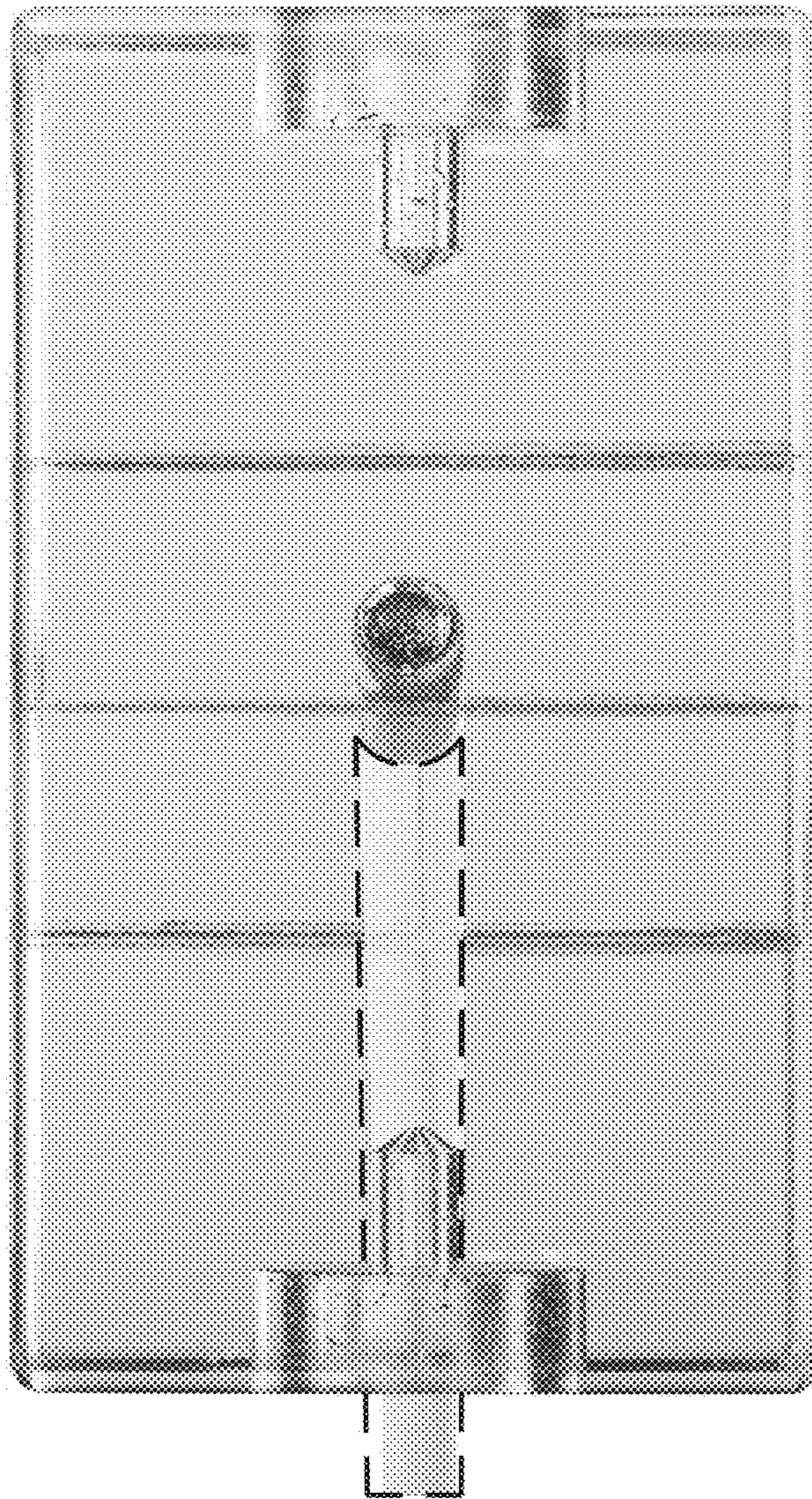


FIG. 9

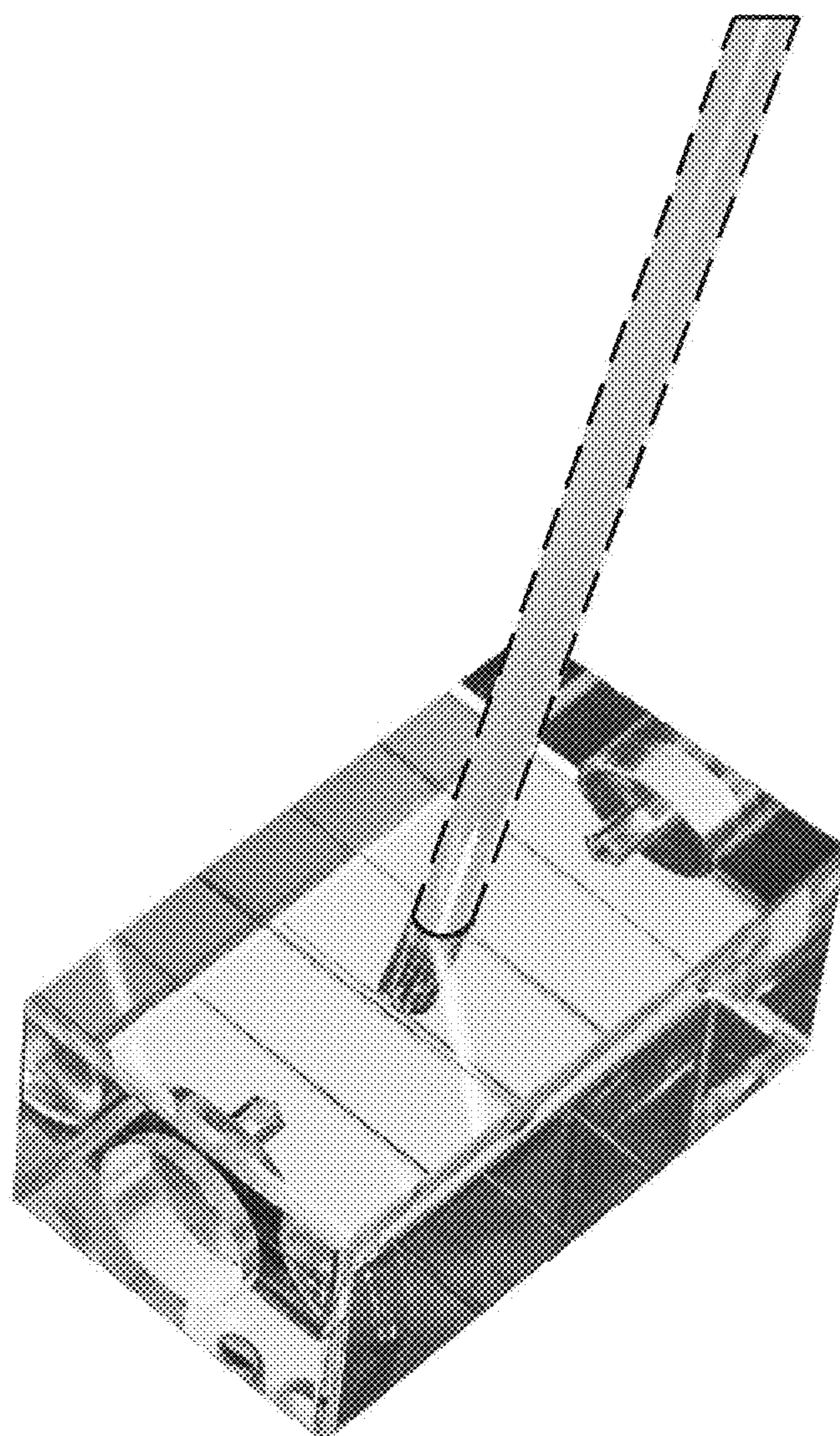


FIG. 10

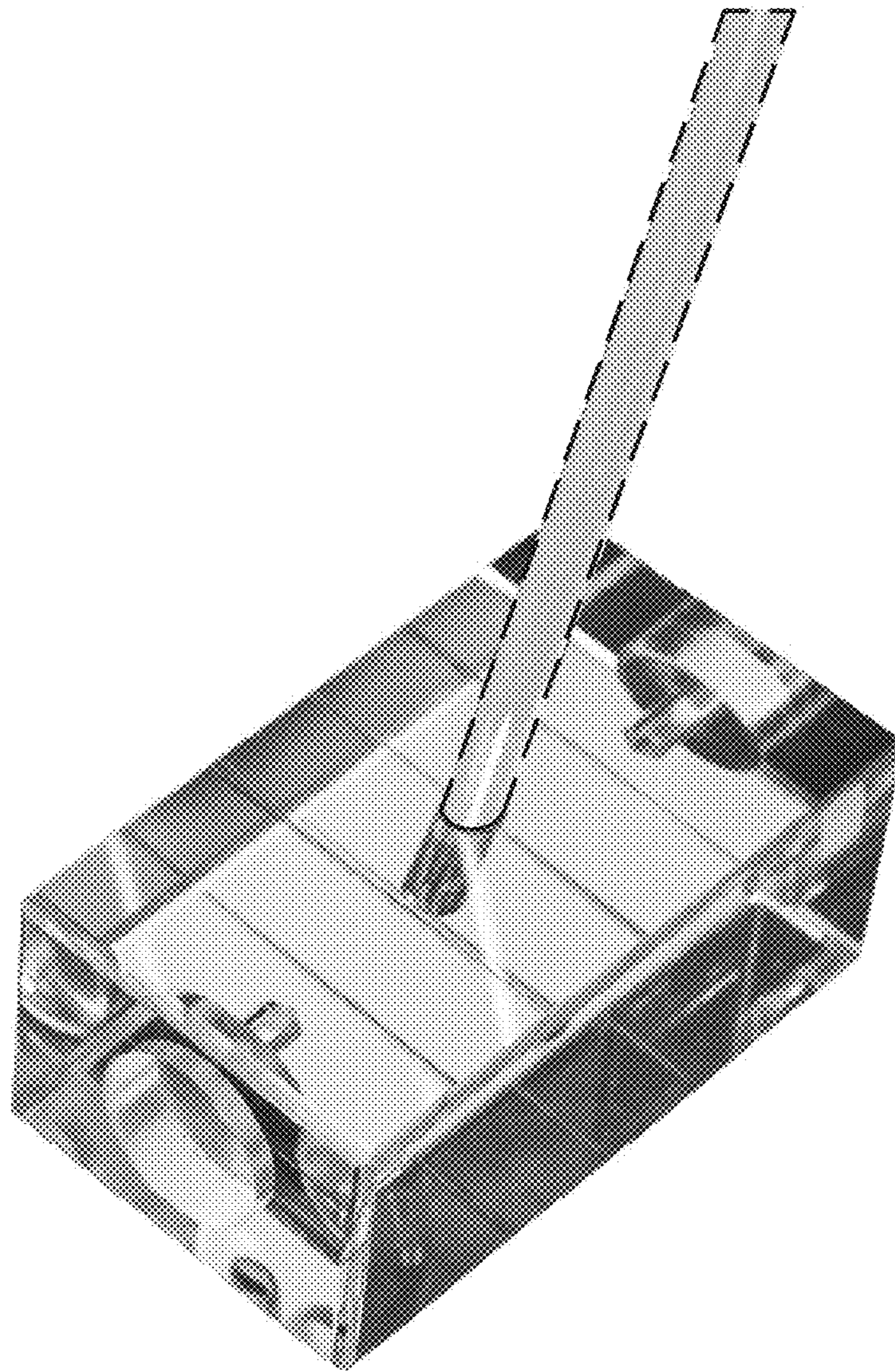


FIG. 11