



US00D956153S

(12) **United States Design Patent** (10) **Patent No.:** **US D956,153 S**
Crawley (45) **Date of Patent:** **** Jun. 28, 2022**

(54) **PROJECTOR MOUNT**
(71) Applicant: **Paul Crawley**, Fair Lawn, NJ (US)
(72) Inventor: **Paul Crawley**, Fair Lawn, NJ (US)
(**) Term: **15 Years**

D672,169 S * 12/2012 Linder D6/708.16
D731,013 S * 6/2015 Jackowiak D21/699
D775,703 S * 1/2017 Throgmorton D22/107
D777,852 S * 1/2017 Crawley D21/699
D783,628 S * 4/2017 Pitteri D14/447
D805,142 S * 12/2017 Metcalfe D21/699
(Continued)

(21) Appl. No.: **29/685,947**
(22) Filed: **Apr. 1, 2019**
(51) **LOC (13) Cl.** **21-02**
(52) **U.S. Cl.**
USPC **D21/699**
(58) **Field of Classification Search**
USPC D20/41, 42, 10; D21/306, 698, 699, 780,
D21/788; D19/113, 114; D8/349, 354,
D8/363, 373, 376, 380, 300, 308, 343,
D8/681, 681.2, 685, 692.6, 718.12;
D14/316, 317, 331, 432, 447, 251,
D14/125-129, 136, 239, 371, 374-377,
D14/451; 248/205.1, 276.1, 324, 371
CPC F16M 13/027; F16M 11/24; F16M 11/12;
F16M 11/043; F16M 13/02; G03B 21/54;
Y10T 29/49947; G09F 15/0025; G09F
15/0062; A47F 5/08; H02G 3/12; H02S
20/21; A61G 7/1038
See application file for complete search history.

(56) **References Cited**

U.S. PATENT DOCUMENTS

D323,010 S * 1/1992 Riahi D21/699
5,441,267 A * 8/1995 Alder G09F 17/00
116/173
5,947,431 A * 9/1999 Kiggins A47F 5/0823
248/200
D531,685 S * 11/2006 Frankel D21/699
7,273,198 B2 * 9/2007 Tourtellotte E04H 12/2238
248/166
D558,846 S * 1/2008 Hernandez, Jr. D21/780
D634,956 S * 3/2011 St. John D6/552
8,162,320 B2 * 4/2012 Medina F41J 1/10
273/407

OTHER PUBLICATIONS

“Derby Duck Cup Holder”, posted Jul. 16, 2020[Online], [Retrieved May 27, 2021], retrieved from internet: https://www.amazon.com/Game-5020-Inflatable-Holders-Yellow/product-reviews/B078RF17MG/ref=cm_cr_getr_d_paging_btm_next_2?ie=UTF8&reviewerType=all_reviews&sortBy=recent&pageNumber=8.*
(Continued)

Primary Examiner — Mehri F Bajoul
(74) *Attorney, Agent, or Firm* — Gloria Tsui-Yip;
Gottlieb, Rackman & Reisman, P.C.

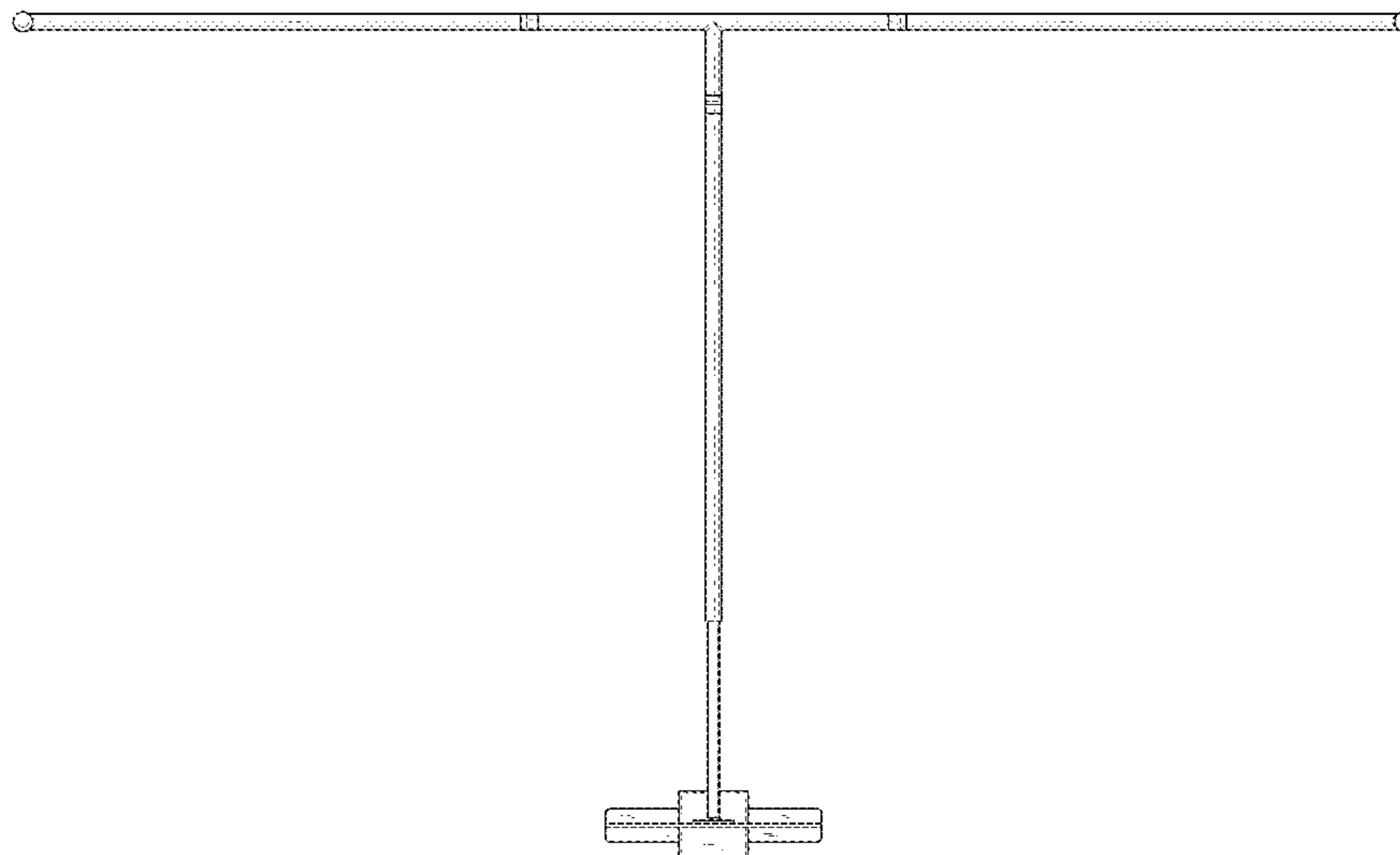
(57) **CLAIM**

The ornamental design for a projector mount, as shown and described.

DESCRIPTION

FIG. 1 is a top plan view of a projector mount showing my new design;
FIG. 2 is a bottom plan view thereof;
FIG. 3 is a left side view thereof;
FIG. 4 is a right side view thereof;
FIG. 5 is a front elevational view thereof;
FIG. 6 is a rear elevational view thereof;
FIG. 7 is a perspective view thereof;
FIG. 8 is an enlarged, perspective, view thereof, with portion of the projector mount shown with symbolic breaks in its length and any portion between the break lines forms no part of the claimed design; and,
FIG. 9 is a perspective view thereof with its environment shown in broken lines which form no part of the claimed design.

1 Claim, 7 Drawing Sheets



(56)

References Cited

U.S. PATENT DOCUMENTS

D812,675	S *	3/2018	Kim	D16/237
D826,221	S *	8/2018	Seo	D14/239
D826,913	S *	8/2018	Cha	D14/239
D833,547	S *	11/2018	Weber	D21/699
D844,082	S *	3/2019	Shaughnessy	D21/699
D878,469	S *	3/2020	Kinner	D21/301
D888,829	S *	6/2020	Jimenez	D21/303
D891,231	S *	7/2020	Gilner	D8/354
D901,665	S *	11/2020	Kunyckyj	D23/368
D906,091	S *	12/2020	Zhang	D8/349
D914,655	S *	3/2021	Pei	D14/239
D918,024	S *	5/2021	Landgren	D8/380
2018/0116887	A1 *	5/2018	Miller	A61G 7/1038
2021/0083465	A1 *	3/2021	Anderson	H02G 3/12

OTHER PUBLICATIONS

The Net Return Projector Mount Kit, posted at www.thenetreturn.com, retrieved on Oct. 17, 2019, <https://www.thenetreturn.com/products/projector-mount-kit?_pos=1&_sid=83dbb8b84&_ss=r&variant=631222489>.

* cited by examiner

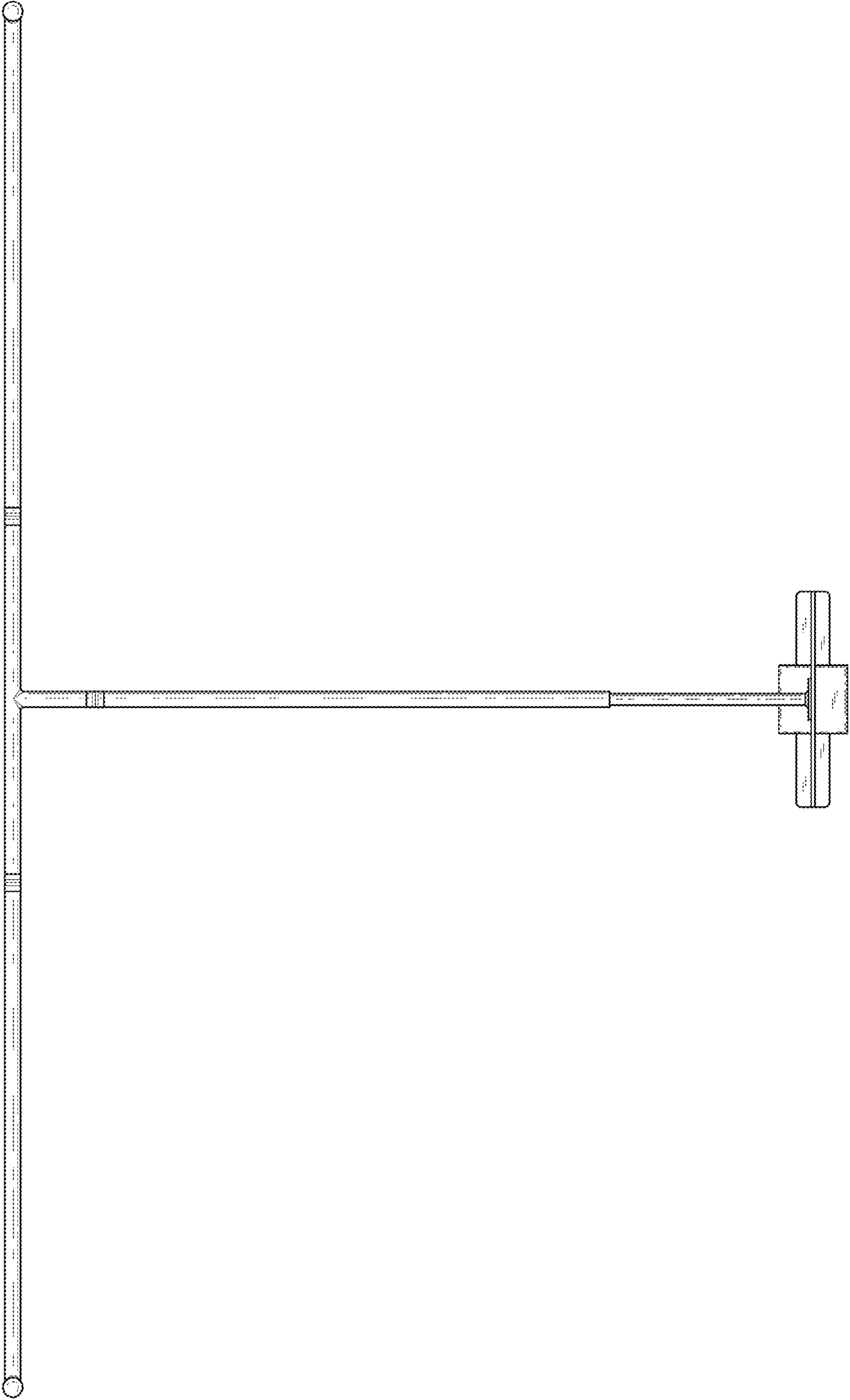


FIG.1

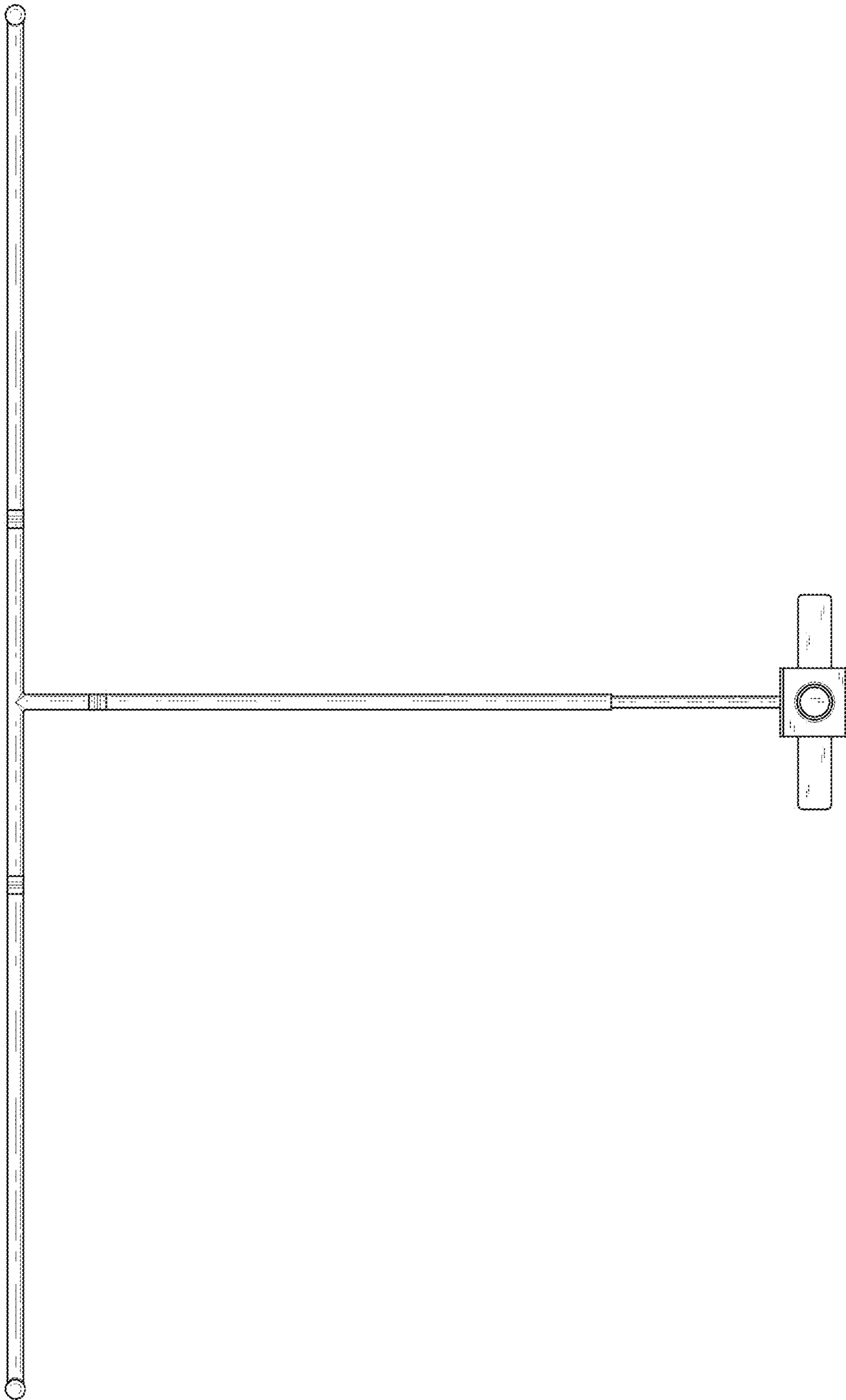


FIG.2

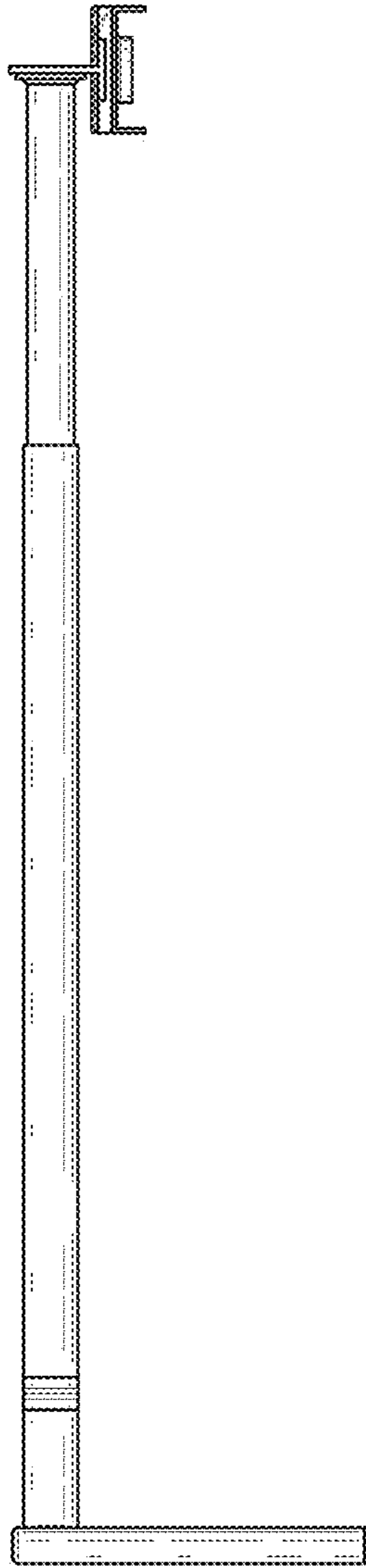


FIG. 3



FIG. 4

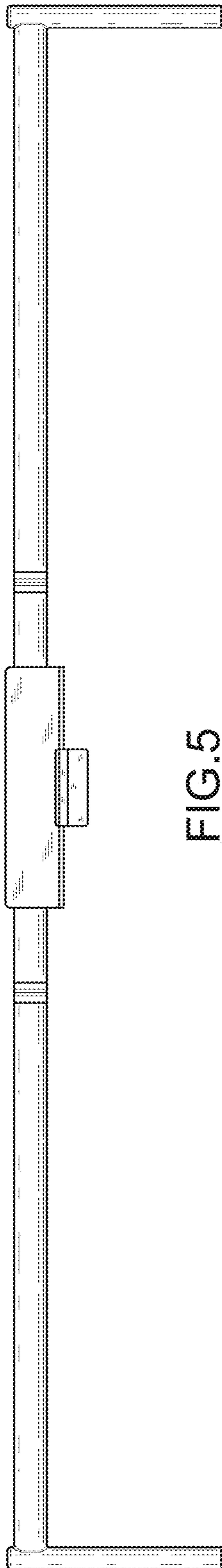


FIG. 5

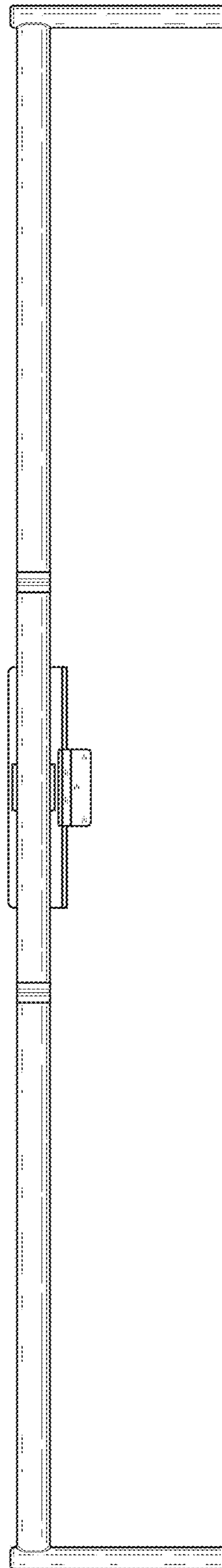


FIG. 6

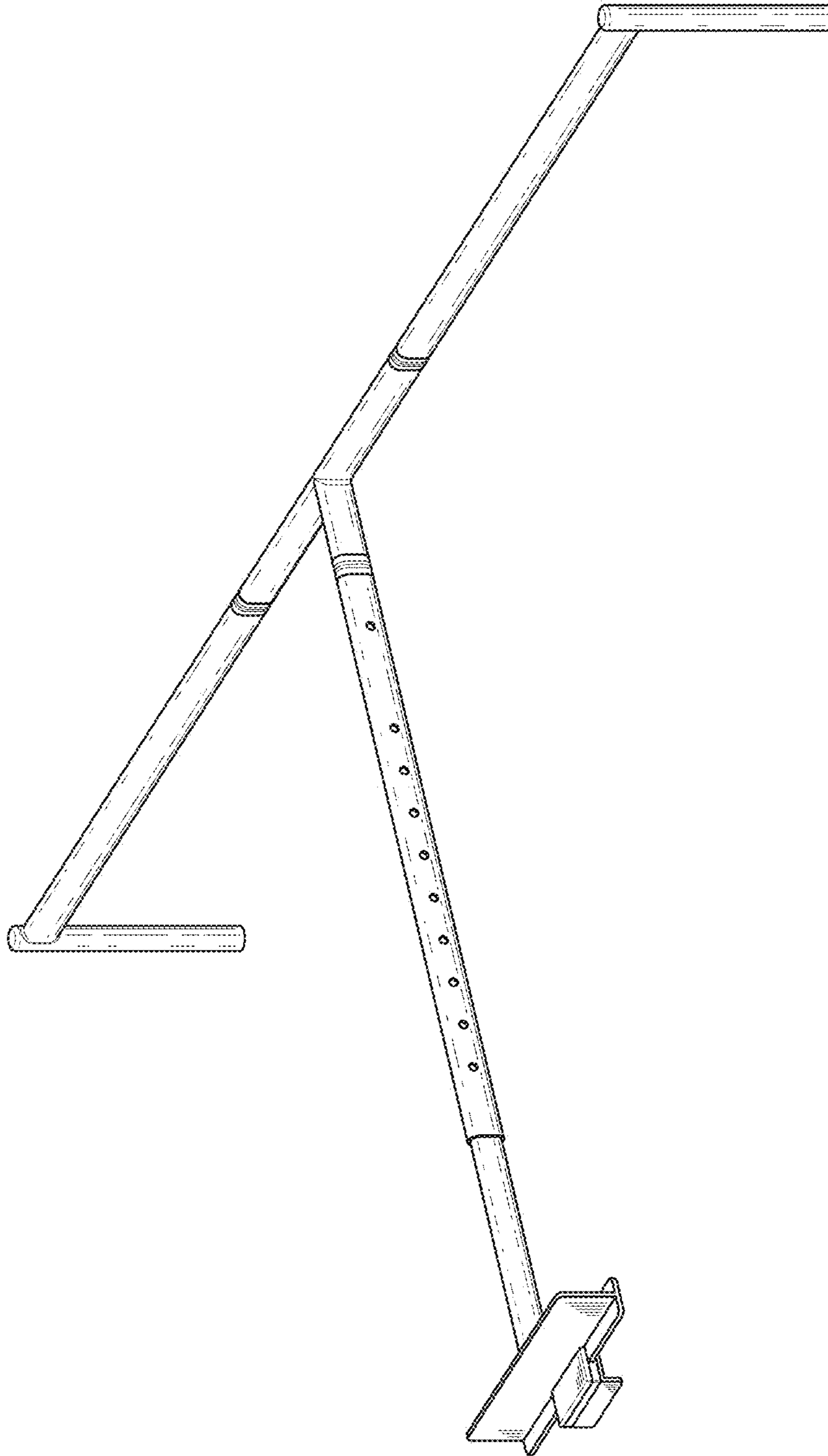


FIG.7

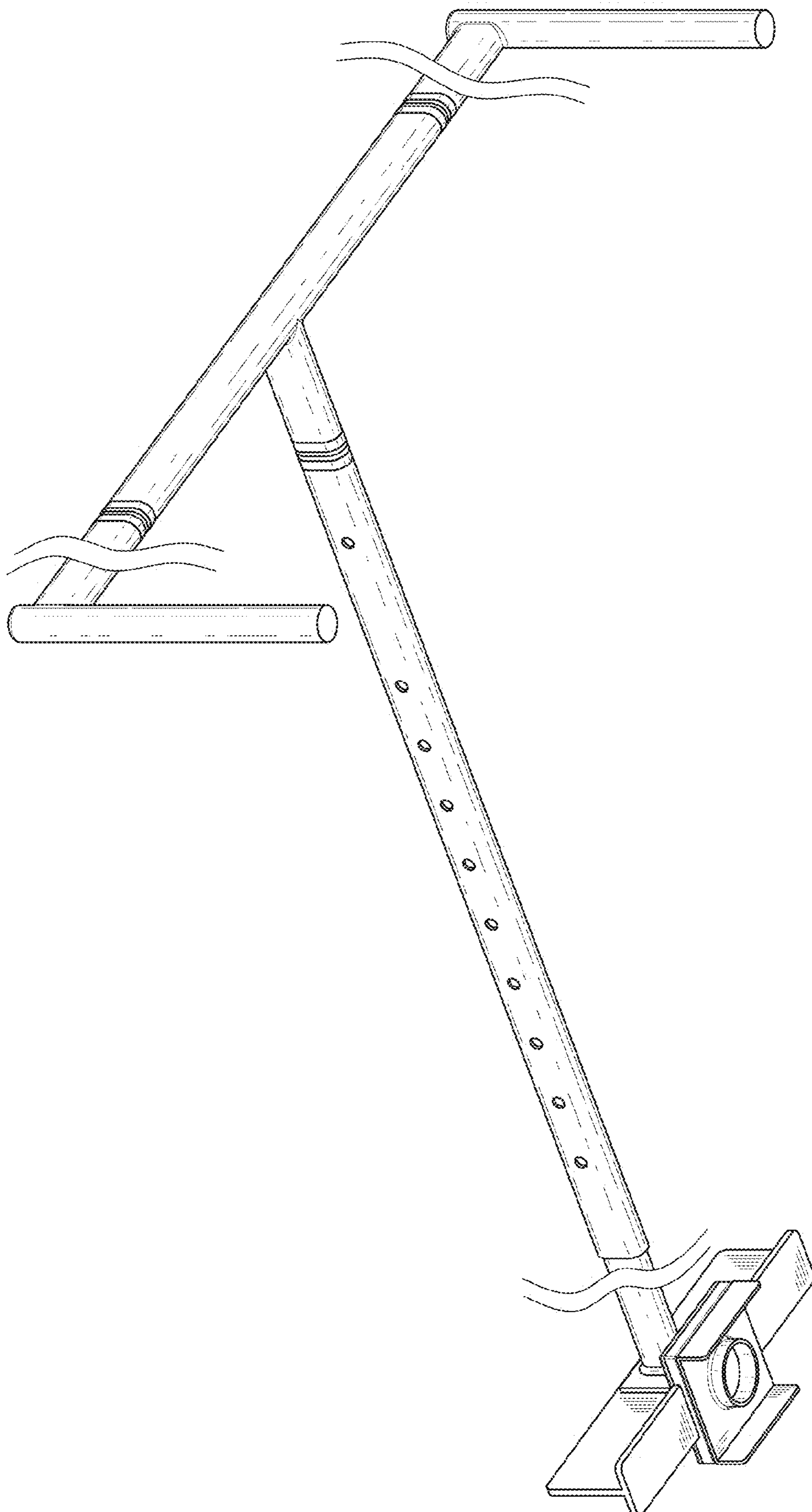


FIG.8

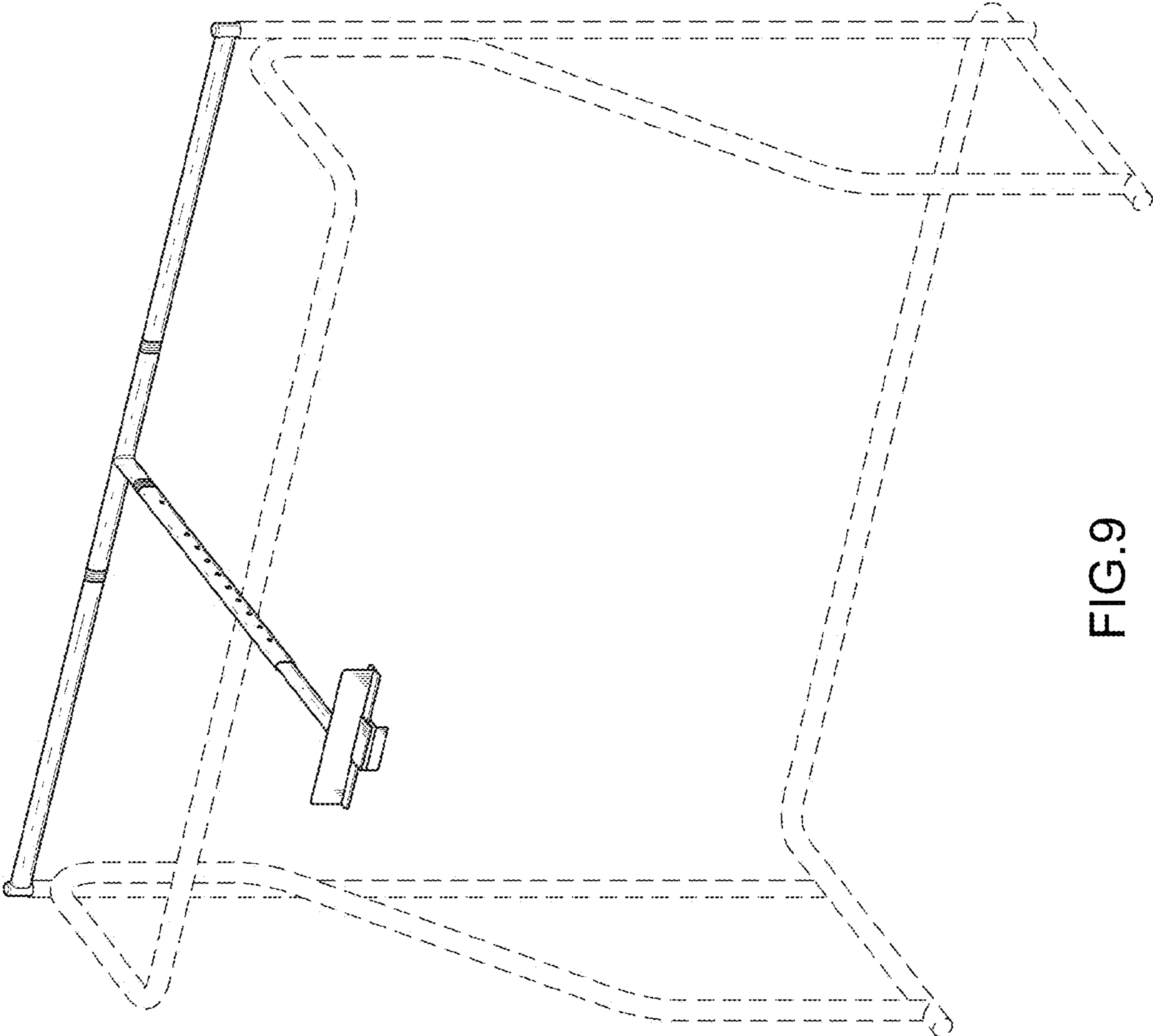


FIG.9