



US00D956152S

(12) **United States Design Patent**
Chang

(10) **Patent No.:** **US D956,152 S**
(45) **Date of Patent:** **** Jun. 28, 2022**

- (54) **HIP THRUST BARBELL PAD**
- (71) Applicant: **Ji Yun Enterprise Co., Ltd.**, New Taipei (TW)
- (72) Inventor: **Yi-Hsuan Chang**, New Taipei (TW)
- (73) Assignee: **Ji Yun Enterprise Co., Ltd.**, New Taipei (TW)
- (**) Term: **15 Years**
- (21) Appl. No.: **29/738,055**
- (22) Filed: **Jun. 15, 2020**
- (51) **LOC (13) Cl.** **21-02**
- (52) **U.S. Cl.**
USPC **D21/694**
- (58) **Field of Classification Search**
USPC D21/680, 798, 692, 662, 804, 686, 671,
D21/691, 682, 694, 687, 654, 487, 679,
D21/684, 688, 412, 685, 400, 791, 725,
D21/386
See application file for complete search history.

(56) **References Cited**
U.S. PATENT DOCUMENTS

- D371,440 S * 7/1996 Petersen D24/231
- D748,209 S * 1/2016 Alaniz, III D21/662
- D778,378 S * 2/2017 Schultz D21/694
- D875,857 S * 2/2020 Leadbetter D21/694

- D897,551 S * 9/2020 Nasta D24/211
- 2011/0152035 A1* 6/2011 Wahl A63B 21/4039
482/148
- 2017/0071817 A1* 3/2017 Sanchez A61H 15/0092

OTHER PUBLICATIONS

Yes4all, announced 2015[online], [site visited Apr. 20, 2022]. Available on internet, URL:https://www.amazon.com/Yes4All-Foam-Bar-Pad-Olympic/dp/B013JOAWGA/ref?th=1 (Year: 2015).*

* cited by examiner

Primary Examiner — Khawaja Anwar
Assistant Examiner — Julice Seung Eun Oum

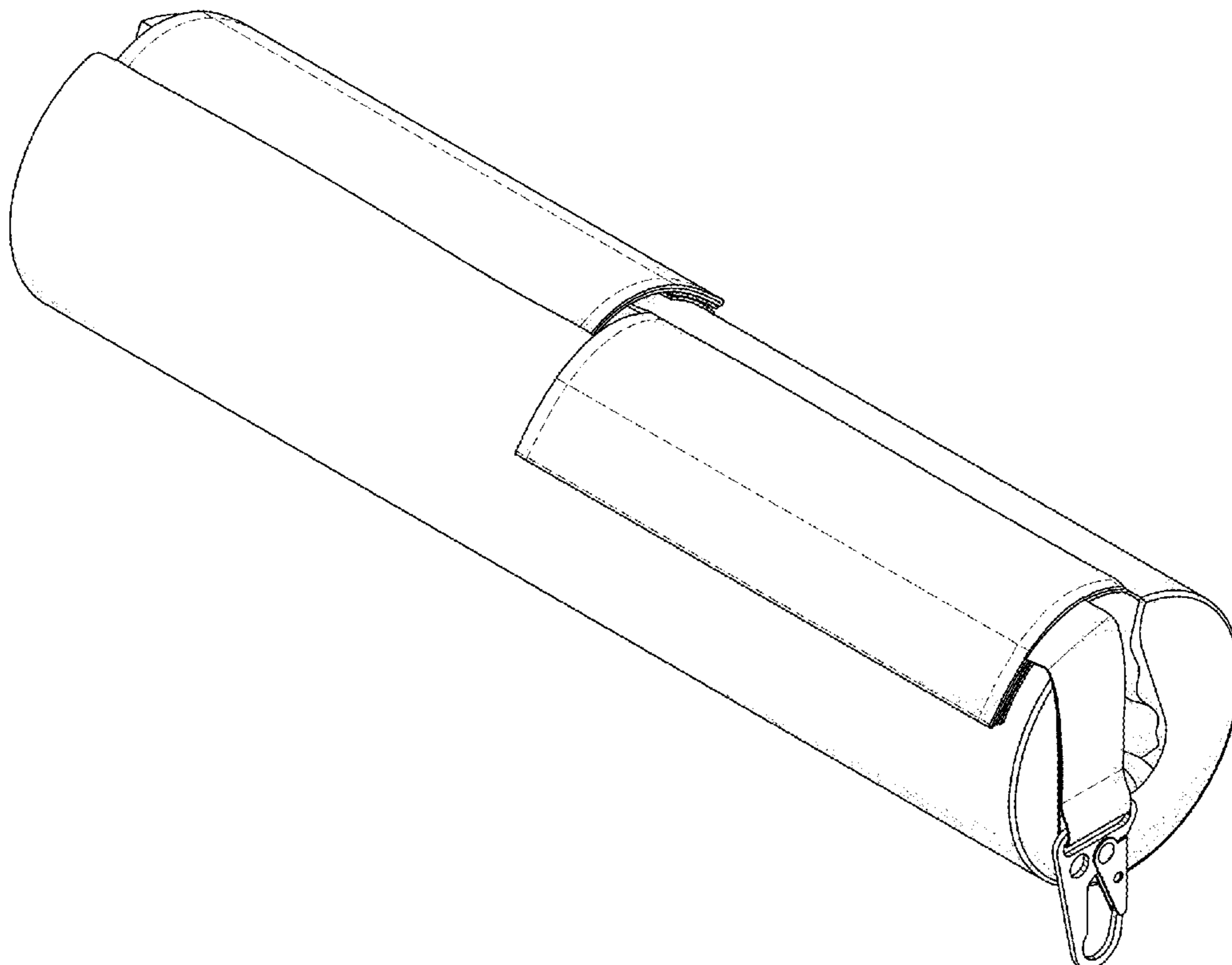
(57) **CLAIM**

The ornamental design for a hip thrust barbell pad, as shown and described.

DESCRIPTION

FIG. 1 is a perspective view of a hip thrust barbell pad showing my design;
FIG. 2 is a front elevational view thereof;
FIG. 3 is a rear elevational view thereof;
FIG. 4 is a left side view thereof;
FIG. 5 is a right side view thereof;
FIG. 6 is a top plan view thereof;
FIG. 7 is a bottom plan view thereof; and,
FIG. 8 is a reference view showing the use state thereof in which the hip thrust barbell pad is fastened to the barbell. All portions shown in broken lines are environmental and illustrative only and form no part of the claimed design.

1 Claim, 5 Drawing Sheets



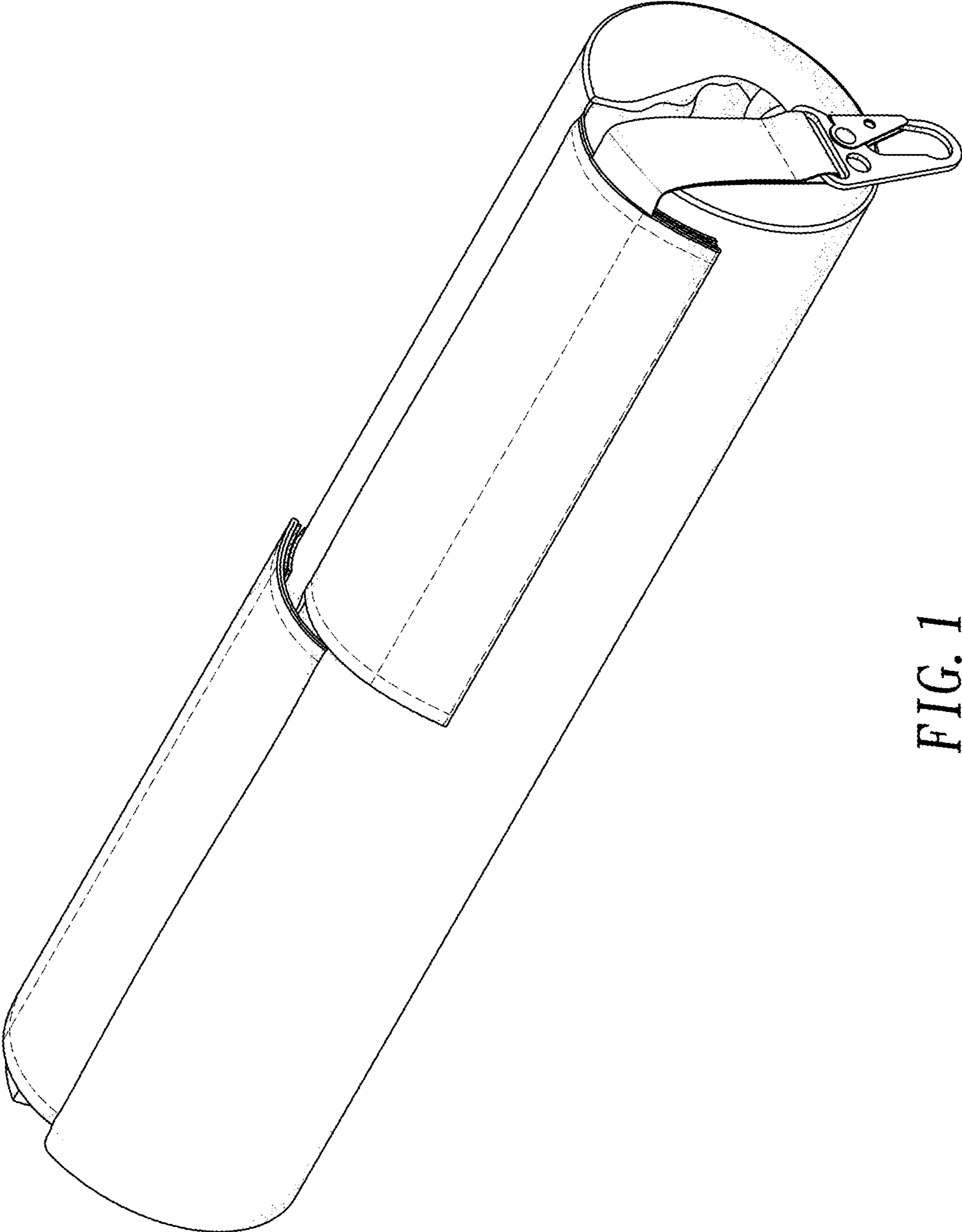


FIG. 1

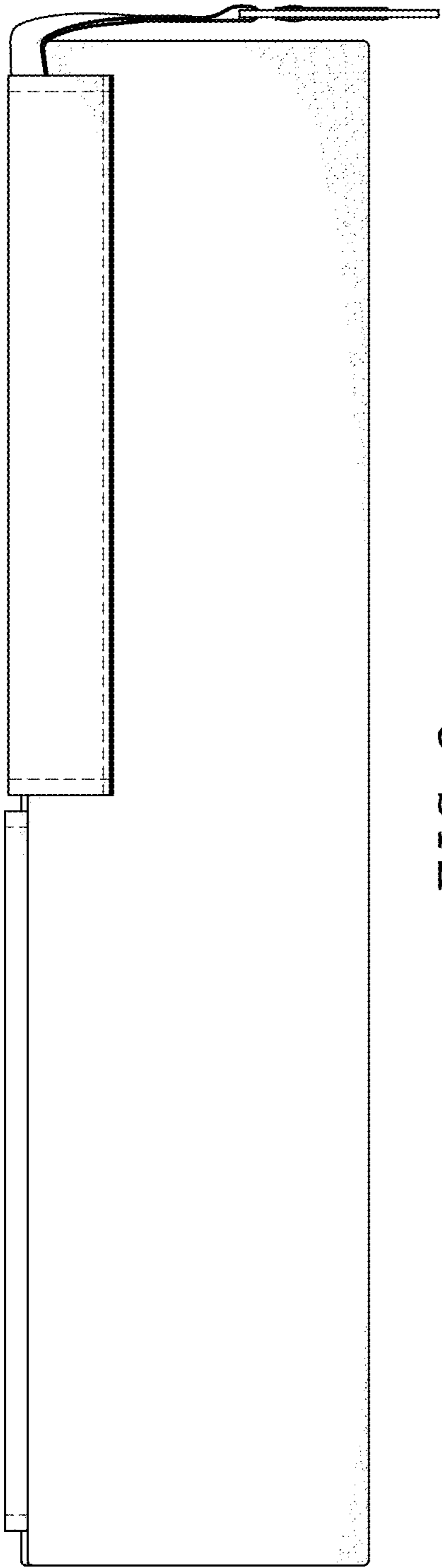


FIG. 2

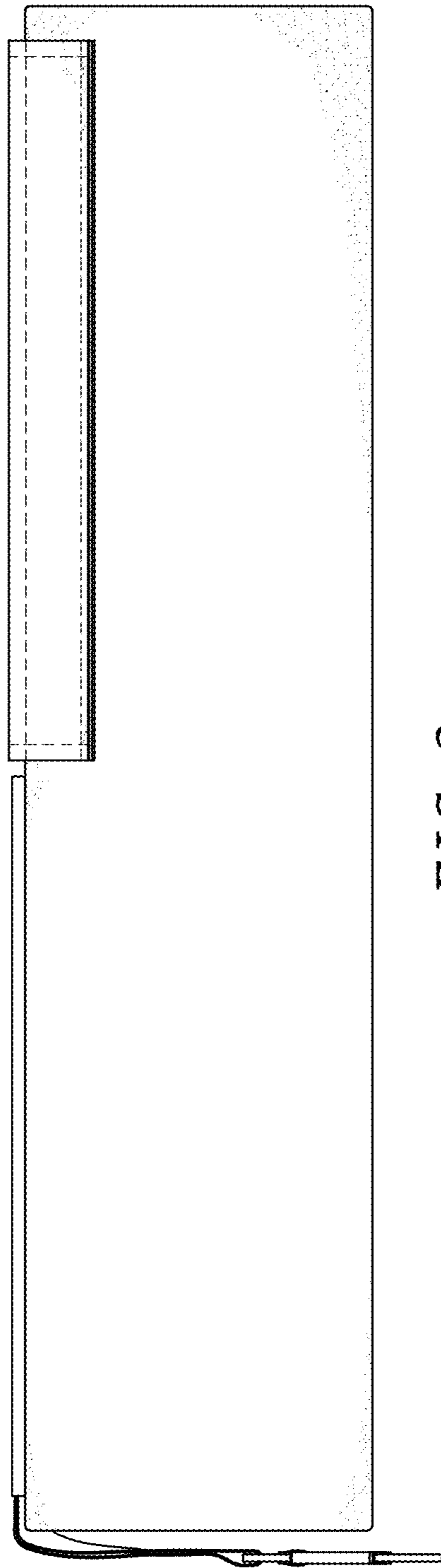


FIG. 3

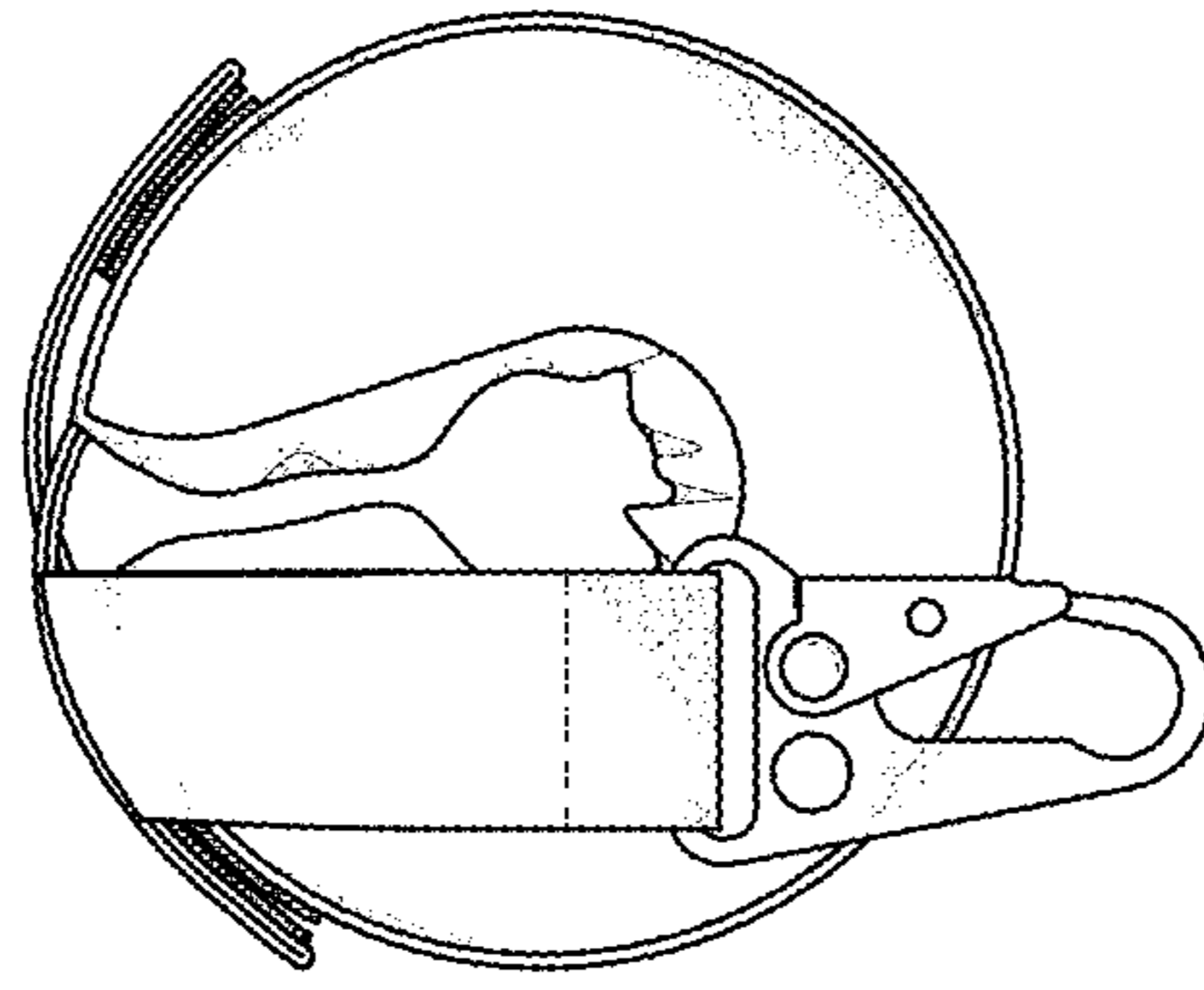


FIG. 5

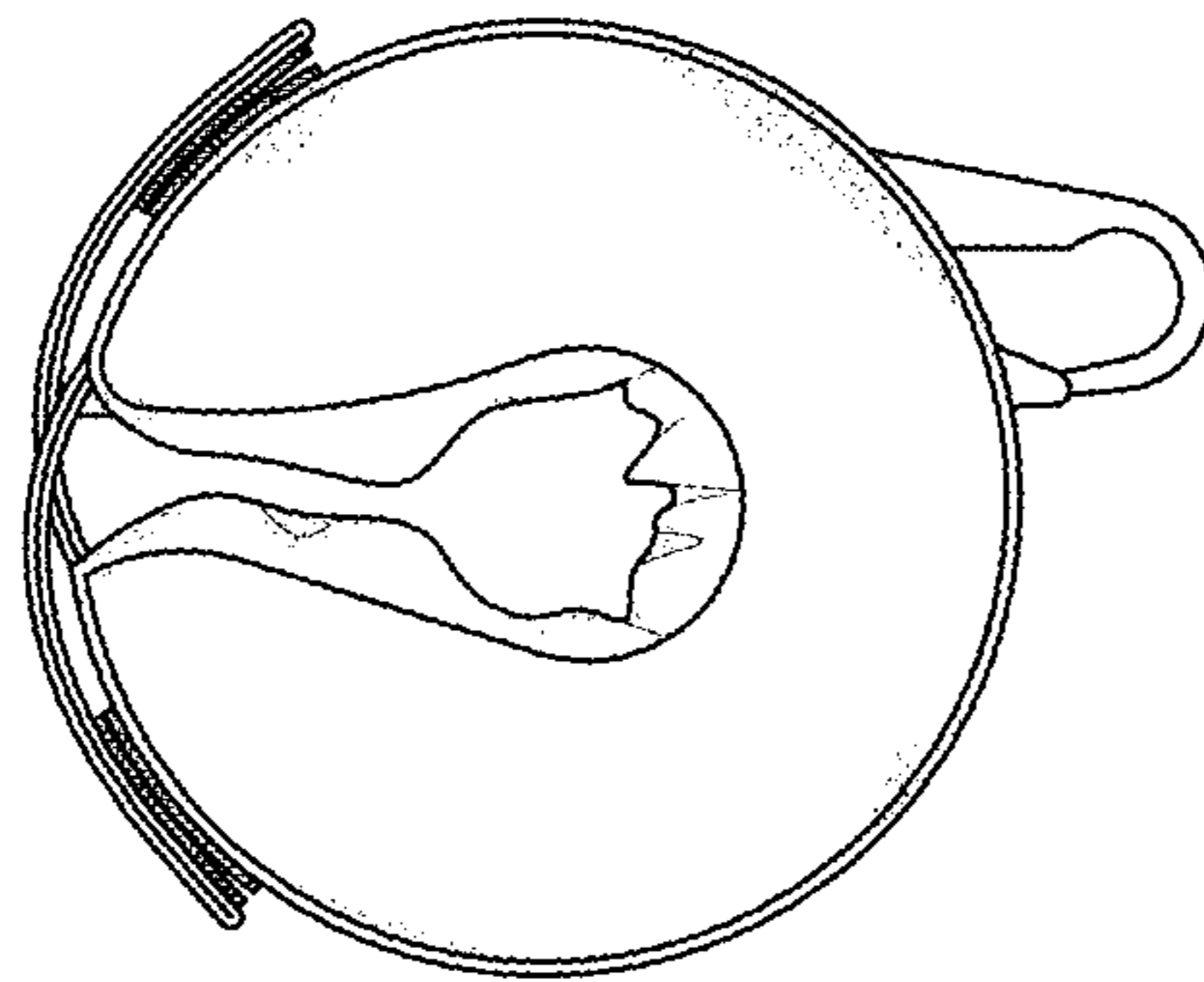


FIG. 4

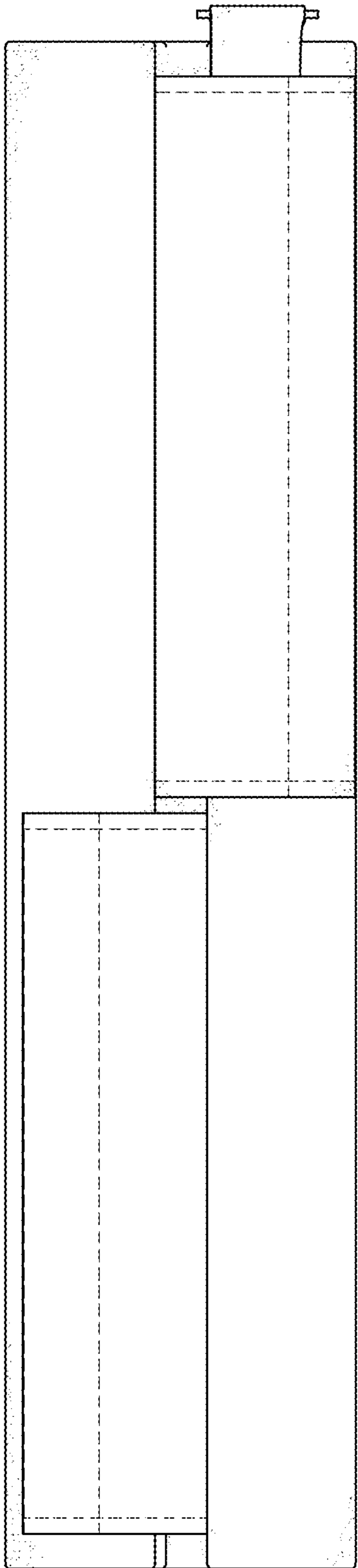


FIG. 6

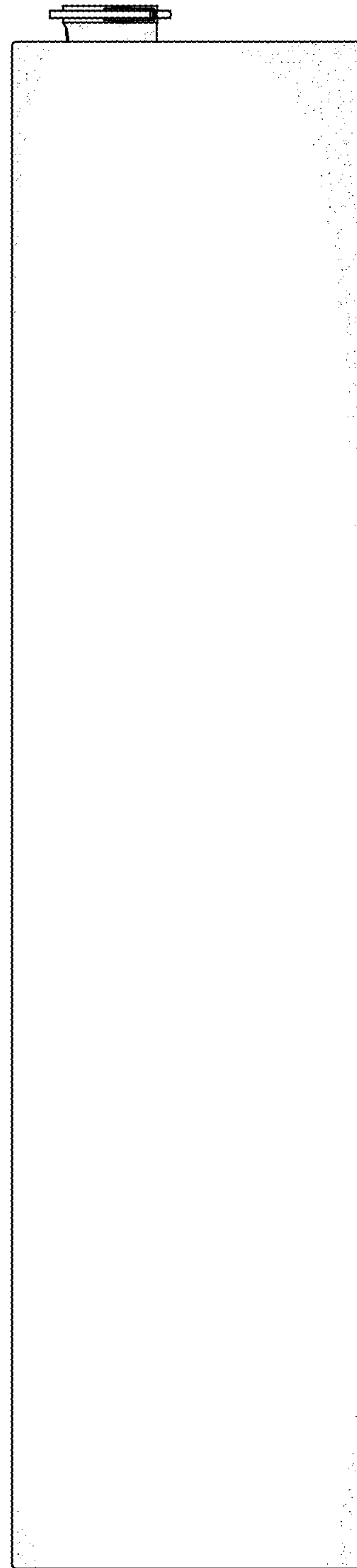


FIG. 7

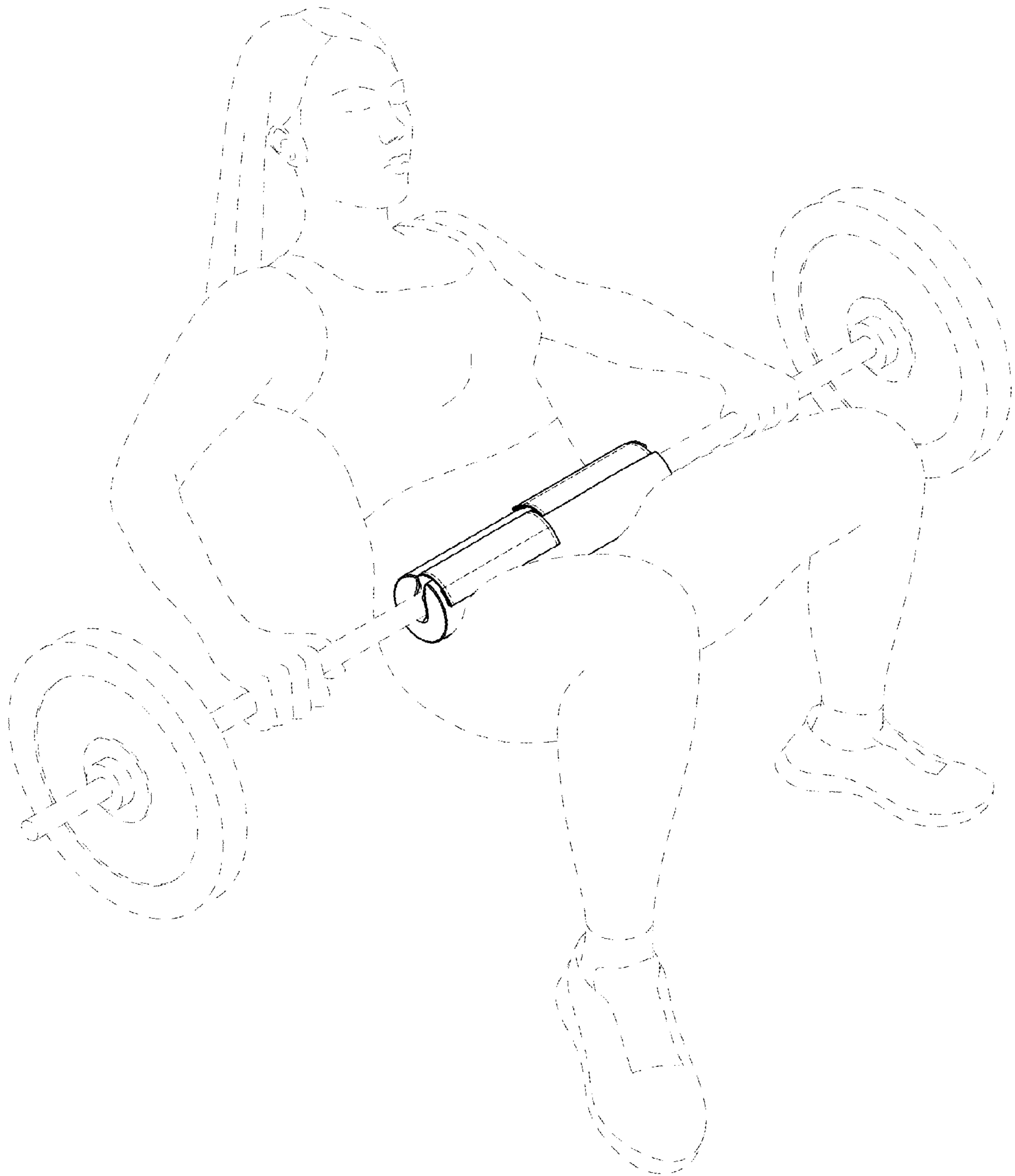


FIG. 8