



US00D956151S

(12) **United States Design Patent**
Ameri et al.

(10) **Patent No.:** **US D956,151 S**
(45) **Date of Patent:** **** Jun. 28, 2022**

(54) **KNOB FOR WEIGHTLIFTING ACCESSORY**

6,193,635 B1 * 2/2001 Webber A63B 21/063
482/138

(71) Applicant: **Coulter Ventures, LLC.**, Columbus,
OH (US)

D469,135 S 1/2003 Bell
6,551,223 B2 4/2003 Cheng
D519,315 S 4/2006 Coudurier
D550,791 S 9/2007 Rogers et al.
D550,792 S 9/2007 Rogers et al.

(72) Inventors: **Anahita Ameri**, Columbus, OH (US);
Emmanuel Sergakis, Plain City, OH
(US); **Nicolas Garcia**, Centerburg, OH
(US); **Ahmik Jones**, Upper Arlington,
OH (US); **William Henniger**,
Columbus, OH (US)

(Continued)

(73) Assignee: **Coulter Ventures, LLC.**, Columbus,
OH (US)

OTHER PUBLICATIONS

Rogue, "Rogue Monster Plate Storage Pin", Jan. 3, 2022. <https://www.roguefitness.com/rogue-monster-keyhole-keyless-plate-storage-pin>. Shown on p. 1. (Year: 2022).*

(Continued)

(**) Term: **15 Years**

Primary Examiner — Cynthia Ramirez

(21) Appl. No.: **29/734,297**

Assistant Examiner — Michael A Maharajh

(22) Filed: **May 11, 2020**

(74) *Attorney, Agent, or Firm* — Banner & Witcoff, Ltd.

Related U.S. Application Data

(63) Continuation of application No. 29/655,162, filed on
Jun. 29, 2018, now Pat. No. Des. 884,097.

(57) **CLAIM**

The ornamental design for a knob for weightlifting accessory, as shown and described.

(51) **LOC (13) Cl.** **21-02**

DESCRIPTION

(52) **U.S. Cl.**
USPC **D21/694**

(58) **Field of Classification Search**
USPC D21/662, 671, 673, 679, 681, 682, 691,
D21/692, 694; D8/83, 107, 300, 303,
D8/310, 311, 321; D12/114
CPC ... A63B 21/026; A63B 43/02; A63B 21/0724;
A63B 1/00
See application file for complete search history.

FIG. 1 is a top, front, right perspective view of a knob for weightlifting accessory showing our new design, with a weightlifting accessory shown as example environment; FIG. 2 is a bottom, rear, right perspective view thereof; FIG. 3 is a top, rear, left perspective view thereof; FIG. 4 is a right side view thereof; FIG. 5 is a left side view thereof; FIG. 6 is a front view thereof; FIG. 7 is a rear view thereof; FIG. 8 is a top view thereof; and, FIG. 9 is a bottom view thereof.

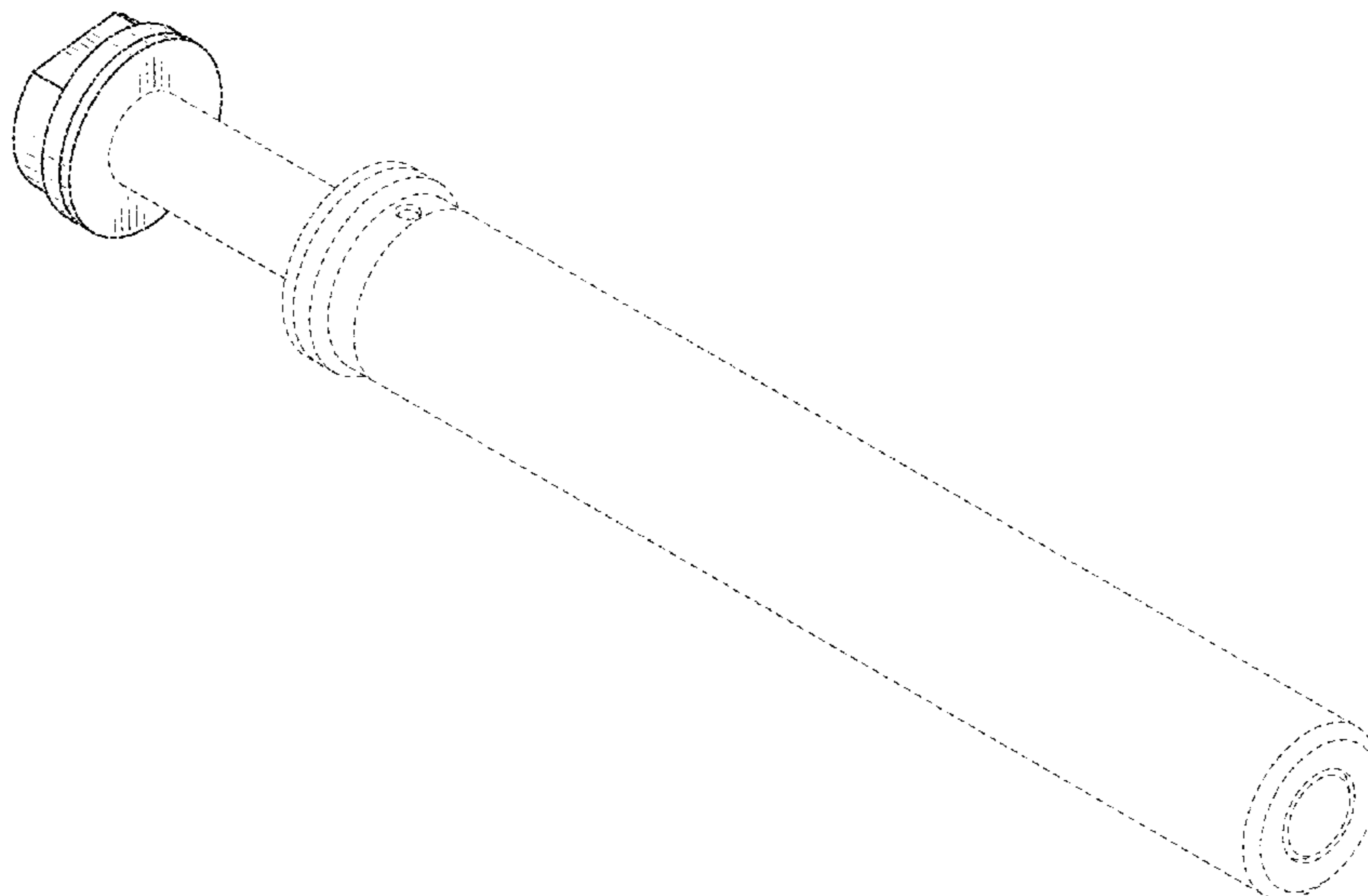
The broken lines in the drawings are for the purpose of illustrating portions of the knob for weightlifting accessory and example environmental structure, which form no part of the claimed design.

(56) **References Cited**

U.S. PATENT DOCUMENTS

4,878,662 A 11/1989 Chern
5,342,271 A 8/1994 Long
D361,927 S 9/1995 Chuen-Hong
6,106,438 A 8/2000 Dean

1 Claim, 5 Drawing Sheets



(56)

References Cited

U.S. PATENT DOCUMENTS

7,316,638	B1	1/2008	Fabela	
D579,990	S	11/2008	Dalcourt	
D617,625	S	6/2010	Haining	
D637,470	S	5/2011	Vigil	
8,231,508	B1	7/2012	Rousseau	
D667,899	S	9/2012	Bronston et al.	
D694,348	S	11/2013	Rankin	
D740,897	S	10/2015	Miltner et al.	
9,192,800	B1	11/2015	Meyer et al.	
9,421,413	B2	8/2016	Staten et al.	
D777,851	S	1/2017	Simonetti	
9,610,490	B2	4/2017	Tambornino et al.	
D863,022	S	10/2019	Papafagos	
D867,100	S *	11/2019	Papafagos	D8/303
D884,097	S *	5/2020	Ameri	D21/694
2003/0092542	A1	5/2003	Bartholomew et al.	
2006/0220394	A1	10/2006	Halder	
2007/0155595	A1	7/2007	Rogers et al.	
2007/0155596	A1	7/2007	Rogers et al.	
2007/0243976	A1	10/2007	Cao	
2011/0091272	A1	4/2011	Wilcoxson	
2012/0283072	A1	11/2012	Jones et al.	
2012/0289384	A1	11/2012	Staten et al.	
2013/0296143	A1	11/2013	Staten et al.	
2013/0296146	A1	11/2013	Staten et al.	
2014/0338245	A1	11/2014	Lanasa et al.	
2015/0083681	A1	3/2015	Childs	
2015/0126342	A1	5/2015	Kaye et al.	
2015/0126347	A1	5/2015	Kaye et al.	
2015/0190678	A1	7/2015	Golsby et al.	
2017/0100624	A1	4/2017	Young	
2018/0193713	A1	7/2018	Lo	
2018/0333609	A1	11/2018	Zerbo et al.	
2018/0353797	A1	12/2018	Lin et al.	
2019/0262656	A1	8/2019	Brown	

OTHER PUBLICATIONS

Product listing for Rogue Monster Plate Storage Pin from <https://web.archive.org/web/20170423182638/http://www.roguefitness.com/rogue-monster-plate-storage-pin>, dated Apr. 23, 2017.

Photos of Rogue Monster Plate Storage Pin from <https://web.archive.org/web/20170423182638/http://www.roguefitness.com/rogue-monster-plate-storage-pin>, dated Apr. 23, 2017.

Product listing for Monster Plate Storage Channel from <https://web.archive.org/web/20170613004102/http://www.roguefitness.com/monster-plate-storage-channel>, dated Jun. 13, 2017.

Product listing for Bolt On Double Change Plate Storage from <https://web.archive.org/web/20170520220201/http://www.roguefitness.com/bolt-on-double-change-plate-storage>, dated May 20, 2017.

Product listing for Monster Lite Double Change Plate Storage from <https://web.archive.org/web/20170621140323/http://www.roguefitness.com/monsterlite-double-change-plate-storage>, dated Jun. 21, 2017.

Product listing for Monster Lite Short Plate Storage Post Pair from <https://web.archive.org/web/20170613034156/http://www.roguefitness.com/monster-lite-short-plate-storage-post-pair>, dated Jun. 13, 2017.

Product listing for Infinity Short Plate Storage Post Pair from <https://web.archive.org/web/20170613023746/http://roguefitness.com/infinity-short-plate-storage-posts>, dated Jun. 13, 2017.

Product listing for SP33100 Plate Storage Pair—Long for 3×3 Monster from <https://web.archive.org/web/20170615150152/http://www.roguefitness.com/sp33100-plate-storage-long-for-3x3-monster>, dated Jun. 15, 2017.

Product listing for SP3358 Plate Storage Pair—Long for Monster Lite from <https://web.archive.org/web/20170614021632/http://www.roguefitness.com/sp3358-plate-storage-long-for-monster-lite>, dated Jun. 14, 2017.

Product listing for SP2358 Plate Storage Pair—Long for Infinity from <https://web.archive.org/web/20170617070909/http://www.roguefitness.com/sp2358-plate-storage-long-for-infinity>, dated Jun. 17, 2017.

Product listing for SP2250 Plate Storage Pair—Long for Mass Storage from <https://web.archive.org/web/20170614164923/http://www.roguefitness.com/sp2250-plate-storage-long-for-2x2-echo>, dated Jun. 14, 2017.

Product listing for Rogue Infinity Vertical Plate Storage from <https://web.archive.org/web/20170419022255/http://www.roguefitness.com:80/rogue-vertical-plate-storage>, dated Apr. 19, 2017.

Product listing for Rogue Infinity Vertical Plate Storage from <https://web.archive.org/web/20170419022255/http://www.roguefitness.com:80/rogue-vertical-plate-storage>, dated Apr. 19, 2017.

* cited by examiner

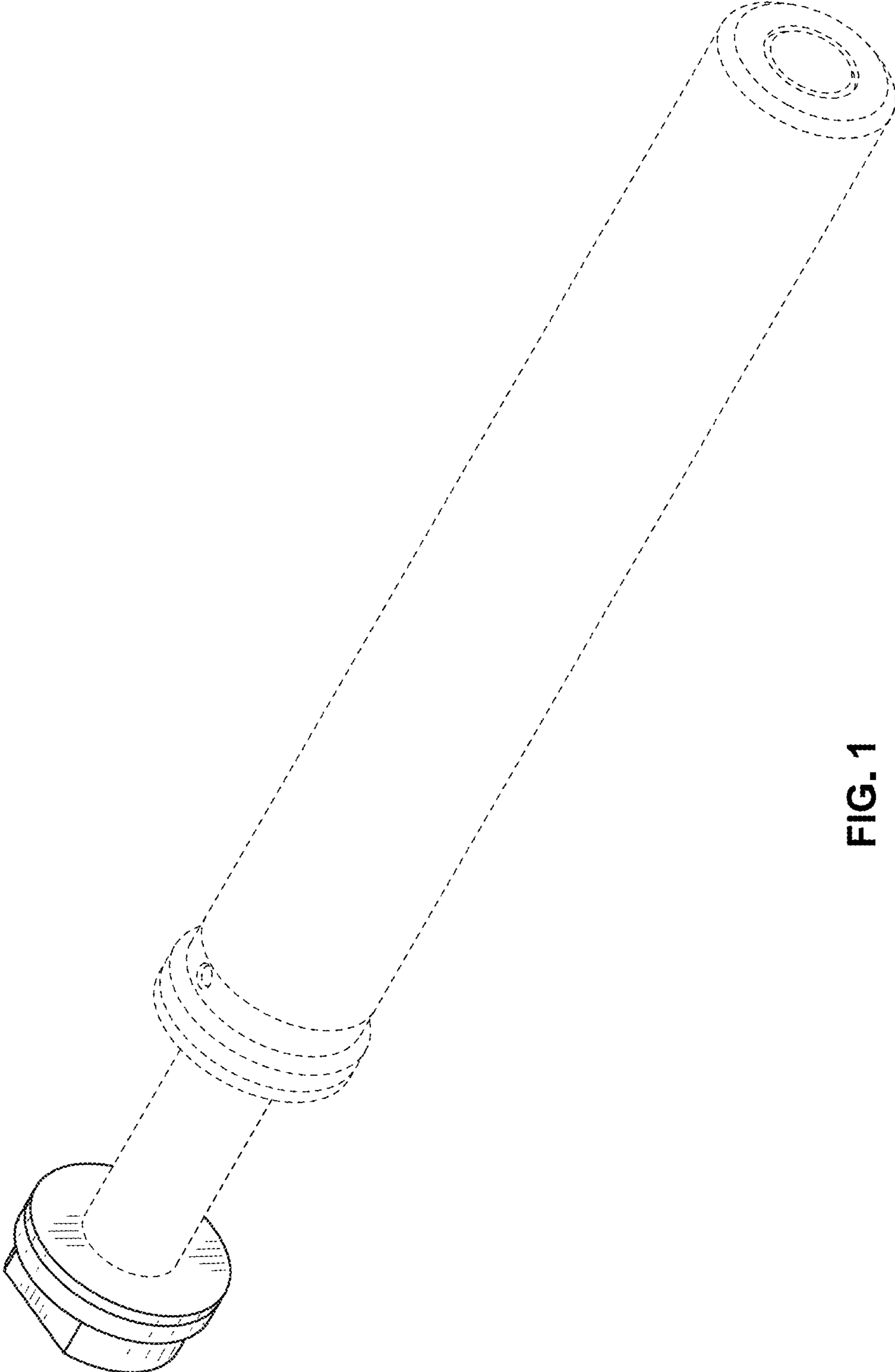


FIG. 1

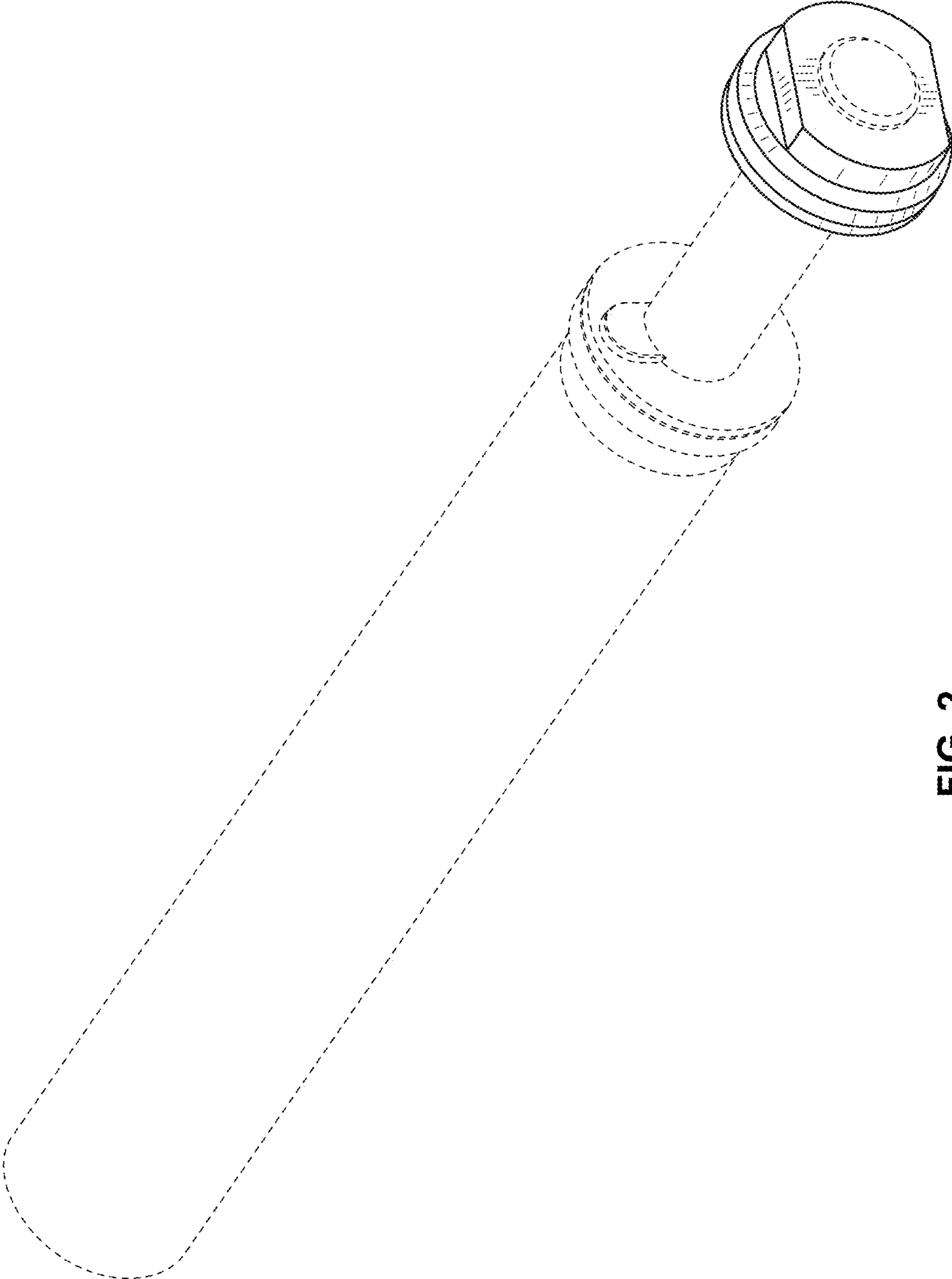


FIG. 2

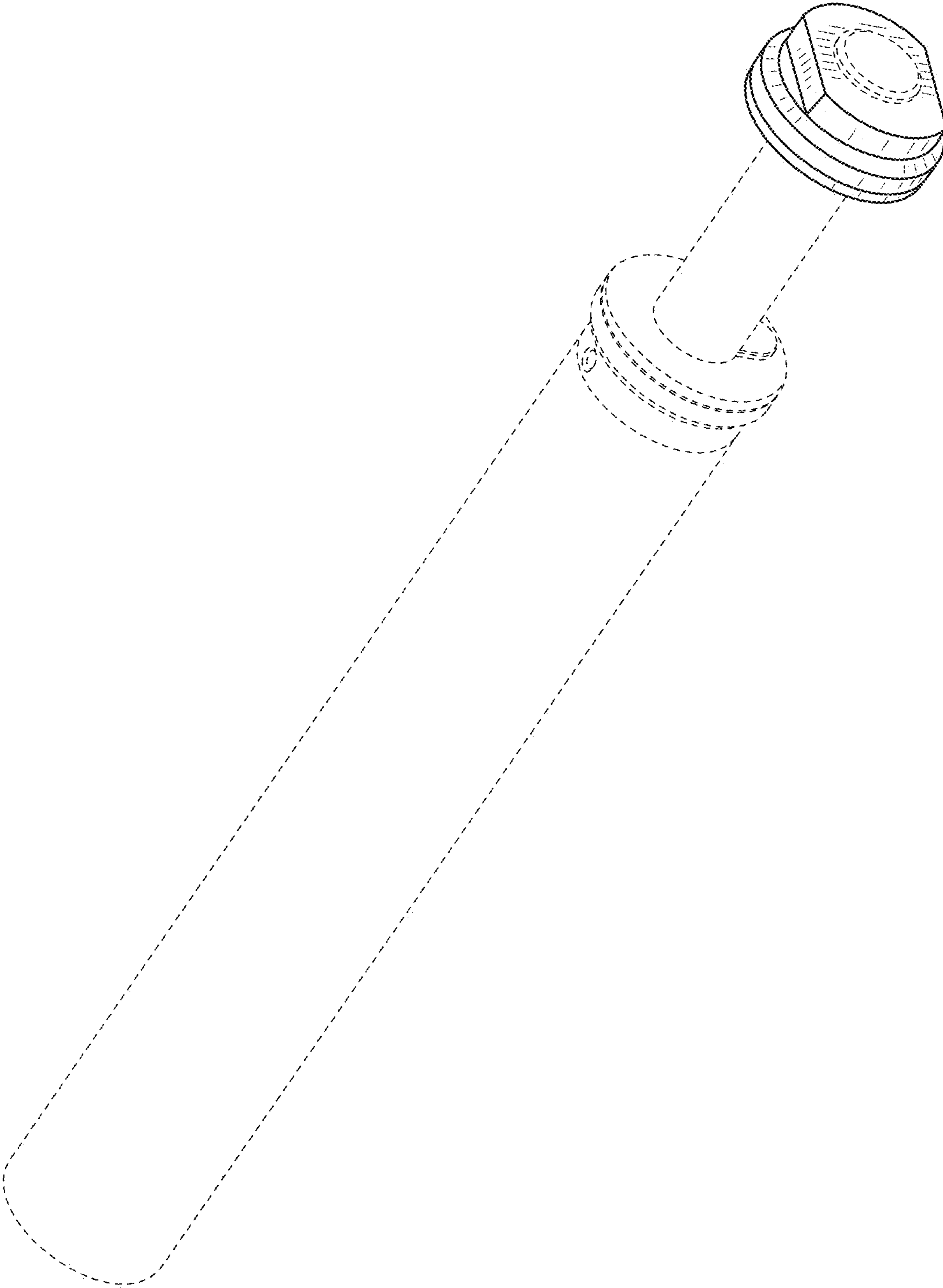


FIG. 3

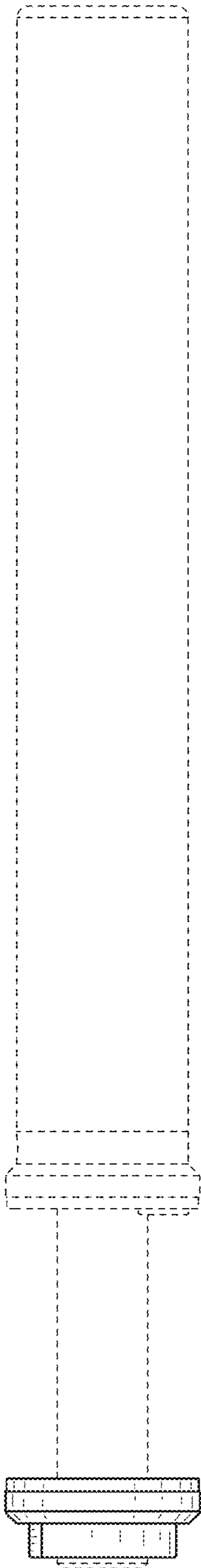


FIG. 4

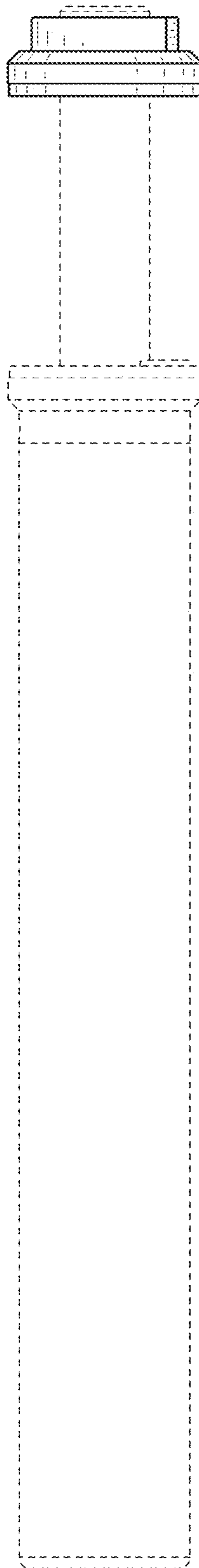


FIG. 5

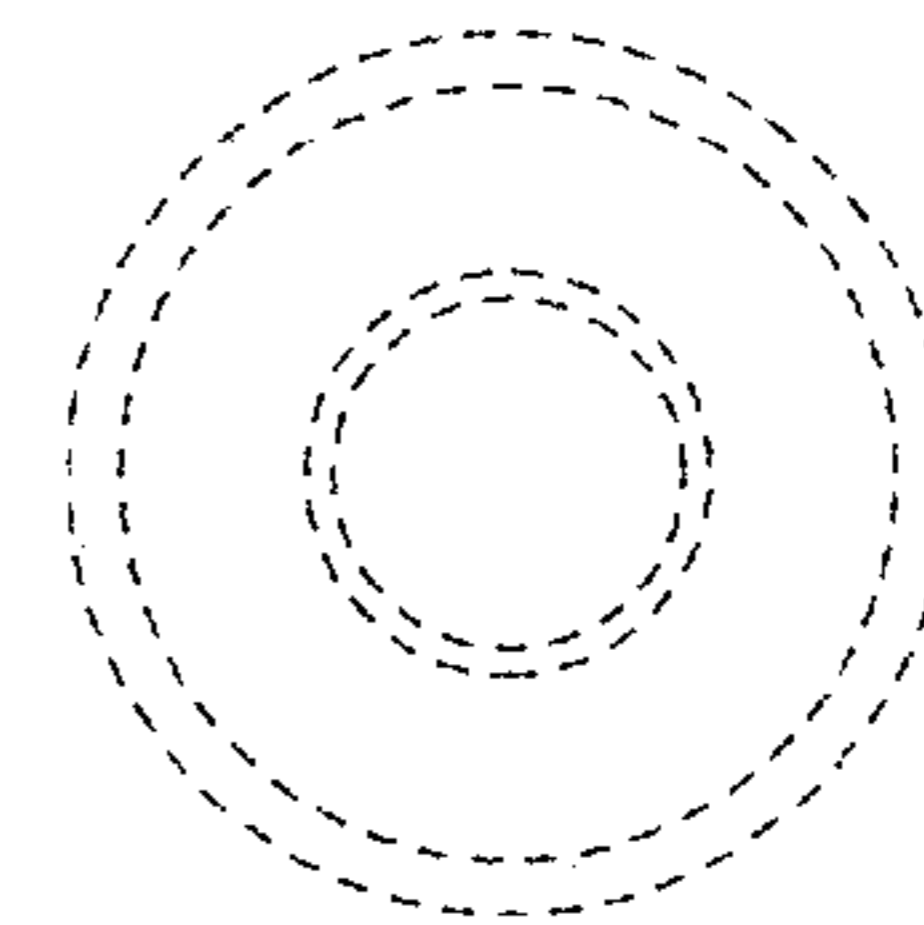


FIG. 6

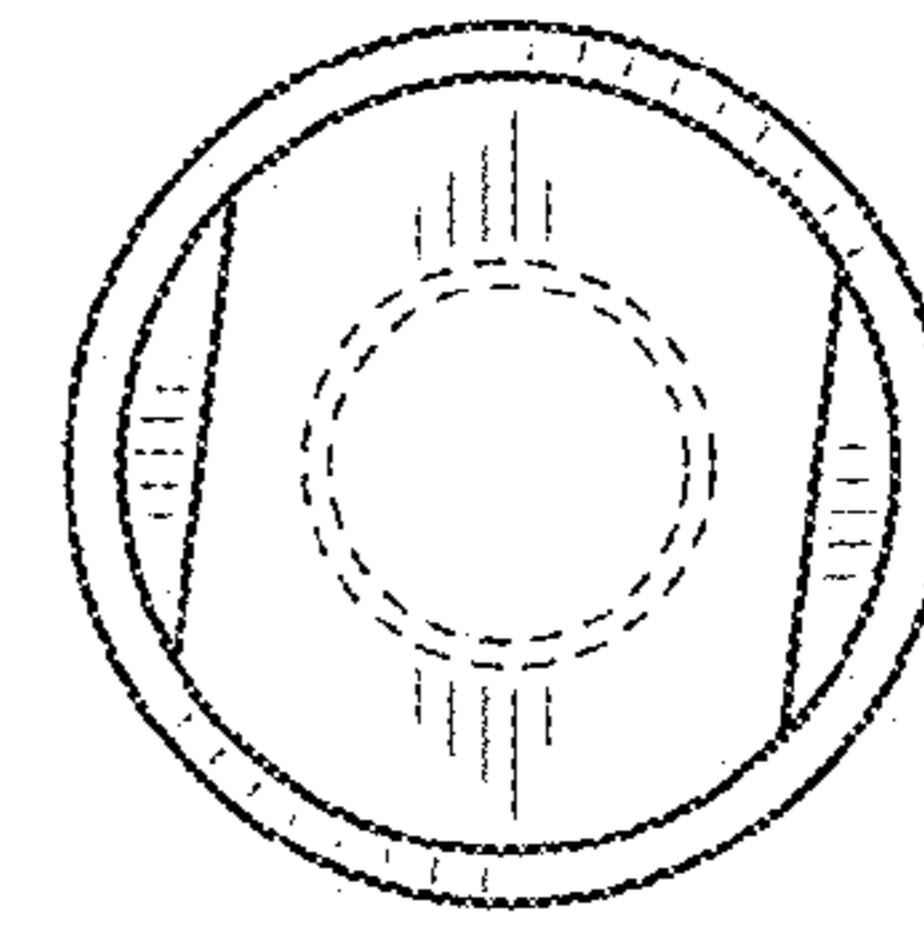


FIG. 7

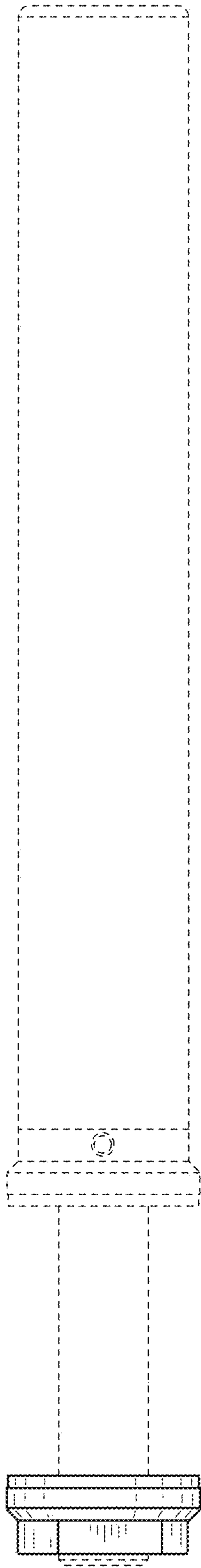


FIG. 8

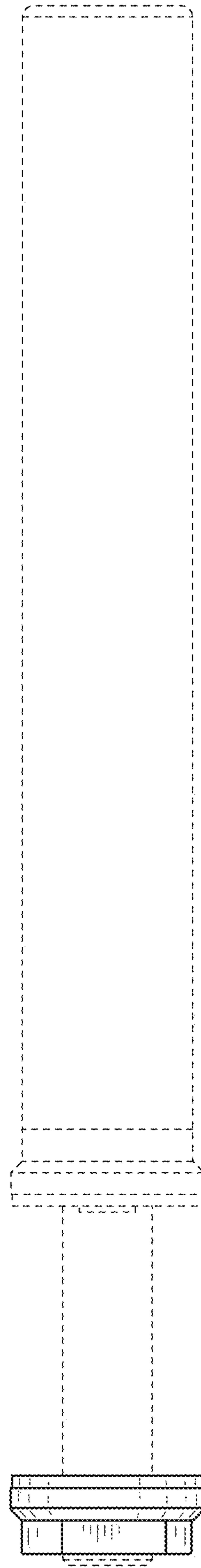


FIG. 9