



US00D956150S

(12) **United States Design Patent**
He

(10) **Patent No.:** **US D956,150 S**
(45) **Date of Patent:** **** Jun. 28, 2022**

(54) **PULL UP BAR**

(71) Applicant: **SHENZHEN YIDAJIAN TRADING CO., LTD.**, Shenzhen (CN)

(72) Inventor: **Junqi He**, Shenzhen (CN)

(73) Assignee: **SHENZHEN YIDAJIAN TRADING CO., LTD.**, Shenzhen (CN)

(**) Term: **15 Years**

(21) Appl. No.: **29/761,205**

(22) Filed: **Dec. 8, 2020**

(30) **Foreign Application Priority Data**

Jul. 10, 2020 (CN) 202030371037.1

(51) **LOC (13) Cl.** **21-02**

(52) **U.S. Cl.**
USPC **D21/679**

(58) **Field of Classification Search**
USPC D21/686, 662, 679, 694, 797, 673, 670,
D21/665, 687, 682
See application file for complete search history.

(56) **References Cited**

U.S. PATENT DOCUMENTS

D348,706 S * 7/1994 Harrell D21/691
5,417,628 A * 5/1995 Vanderbleek A63B 21/1636
482/40
D633,156 S * 2/2011 Caswell D21/679
D633,961 S * 3/2011 Loew D21/679

D686,286 S * 7/2013 Orakwusi D21/679
10,780,311 B1 * 9/2020 Gadd A63B 21/00047
D936,761 S * 11/2021 Jiang D21/679
2014/0302968 A1 * 10/2014 Velikin A63B 21/068
482/40
2021/0331026 A1 * 10/2021 Jones A63B 21/169
2021/0339076 A1 * 11/2021 Gadd A63B 23/1218

FOREIGN PATENT DOCUMENTS

GB 6095422 * 7/2020

* cited by examiner

Primary Examiner — Khawaja Anwar
Assistant Examiner — Julice Seung Eun Oum

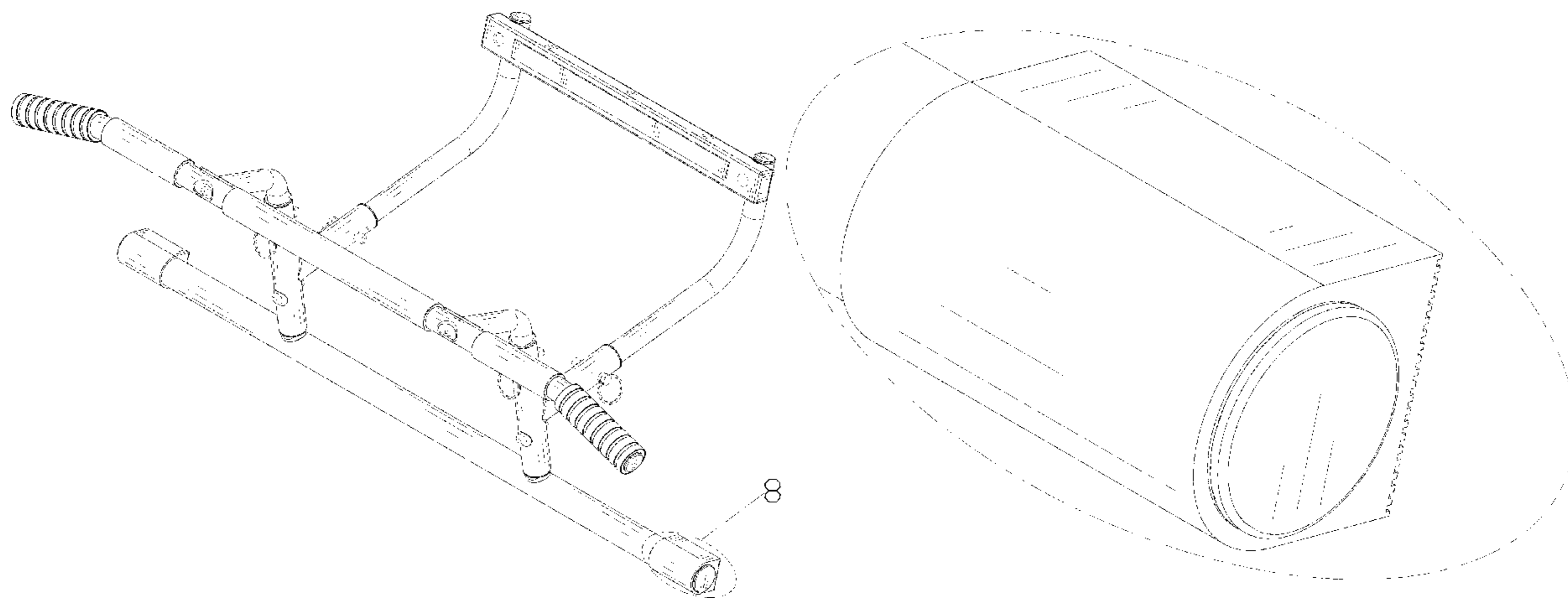
(57) **CLAIM**

The ornamental design for a pull up bar, as shown and described.

DESCRIPTION

FIG. 1 is a perspective view of a pull up bar showing my new design;
FIG. 2 is a front elevational view thereof;
FIG. 3 is a rear elevational view thereof;
FIG. 4 is a left side elevational view thereof;
FIG. 5 is a right side elevational view thereof;
FIG. 6 is a top plan view thereof;
FIG. 7 is a bottom plan view thereof;
FIG. 8 is an enlarged view of portion 8 shown in FIG. 1; and,
FIG. 9 is an enlarged view of portion 9 shown in FIG. 3.
The broken lines in the drawings depict portions of the pull up bar that form no part of the claimed design.

1 Claim, 9 Drawing Sheets



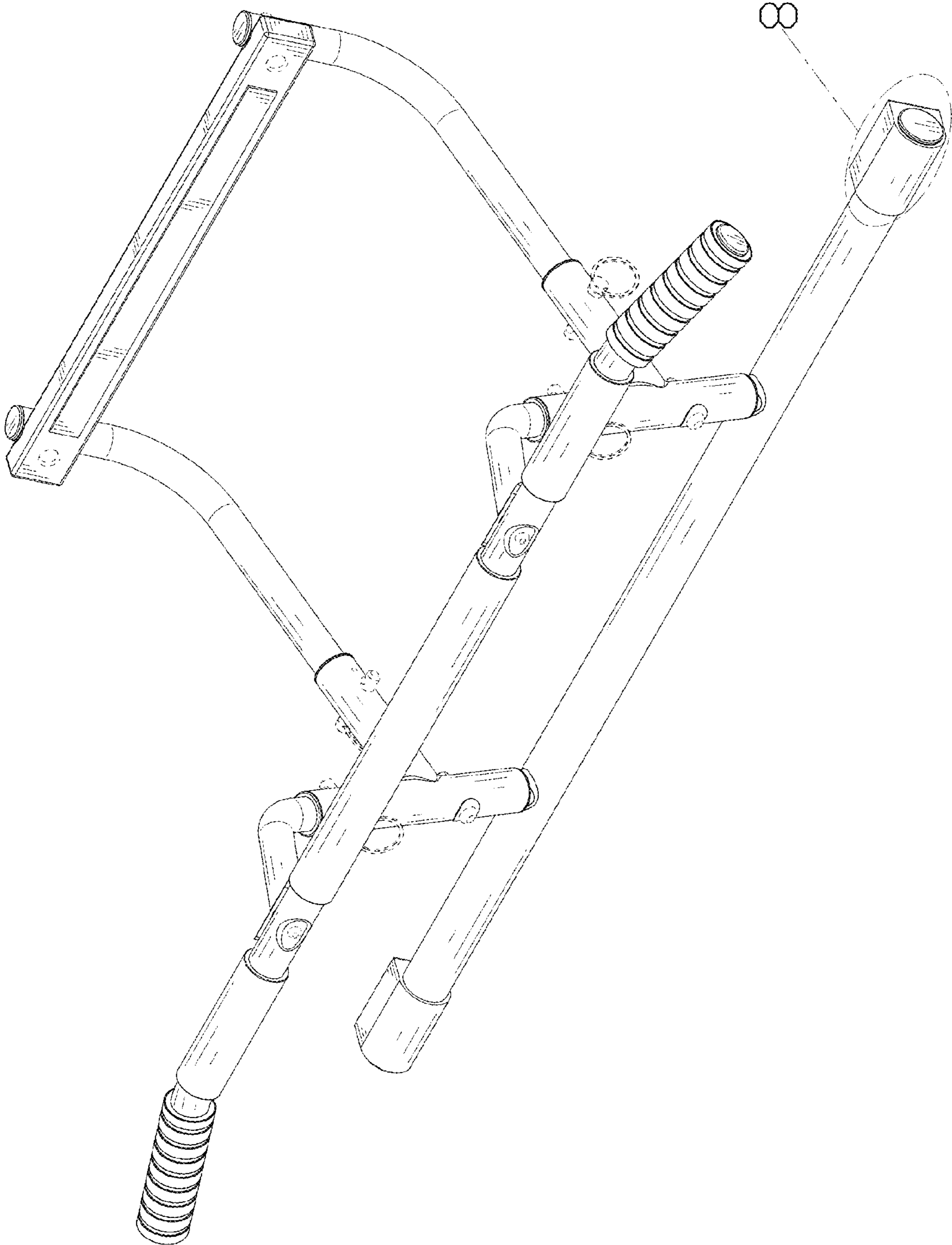


FIG. 1

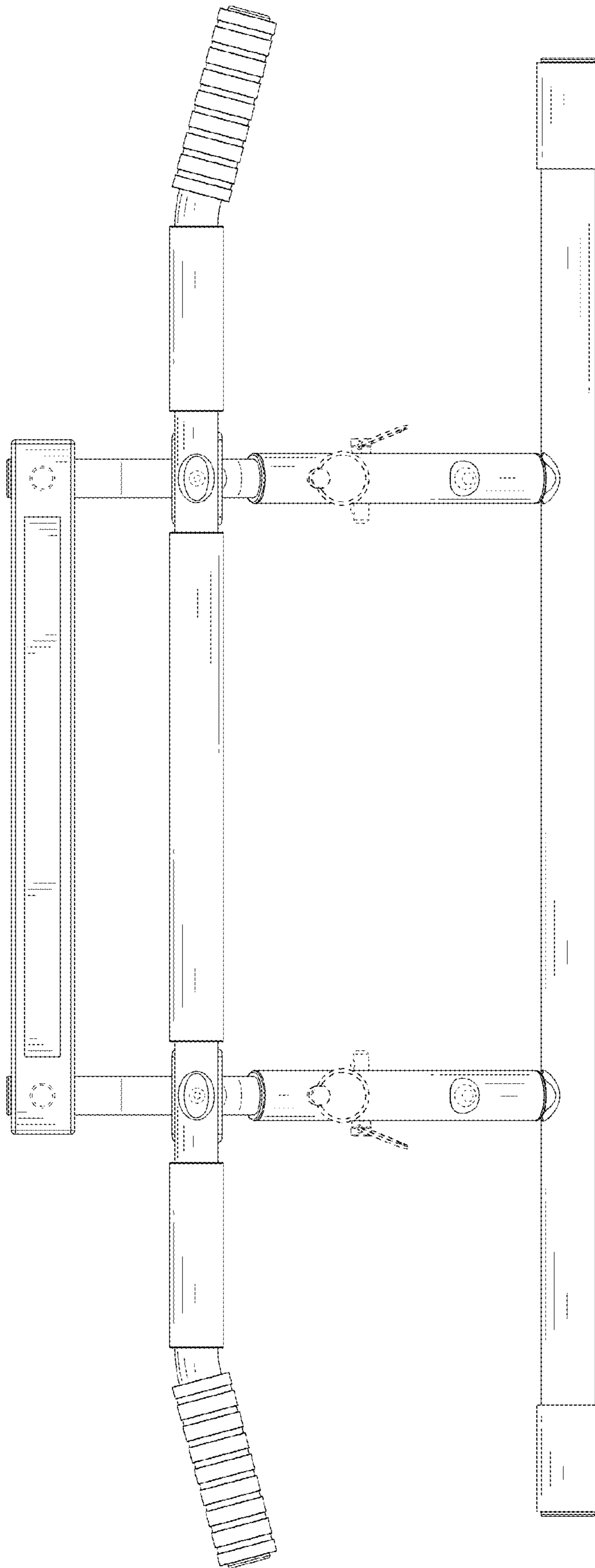


FIG. 2

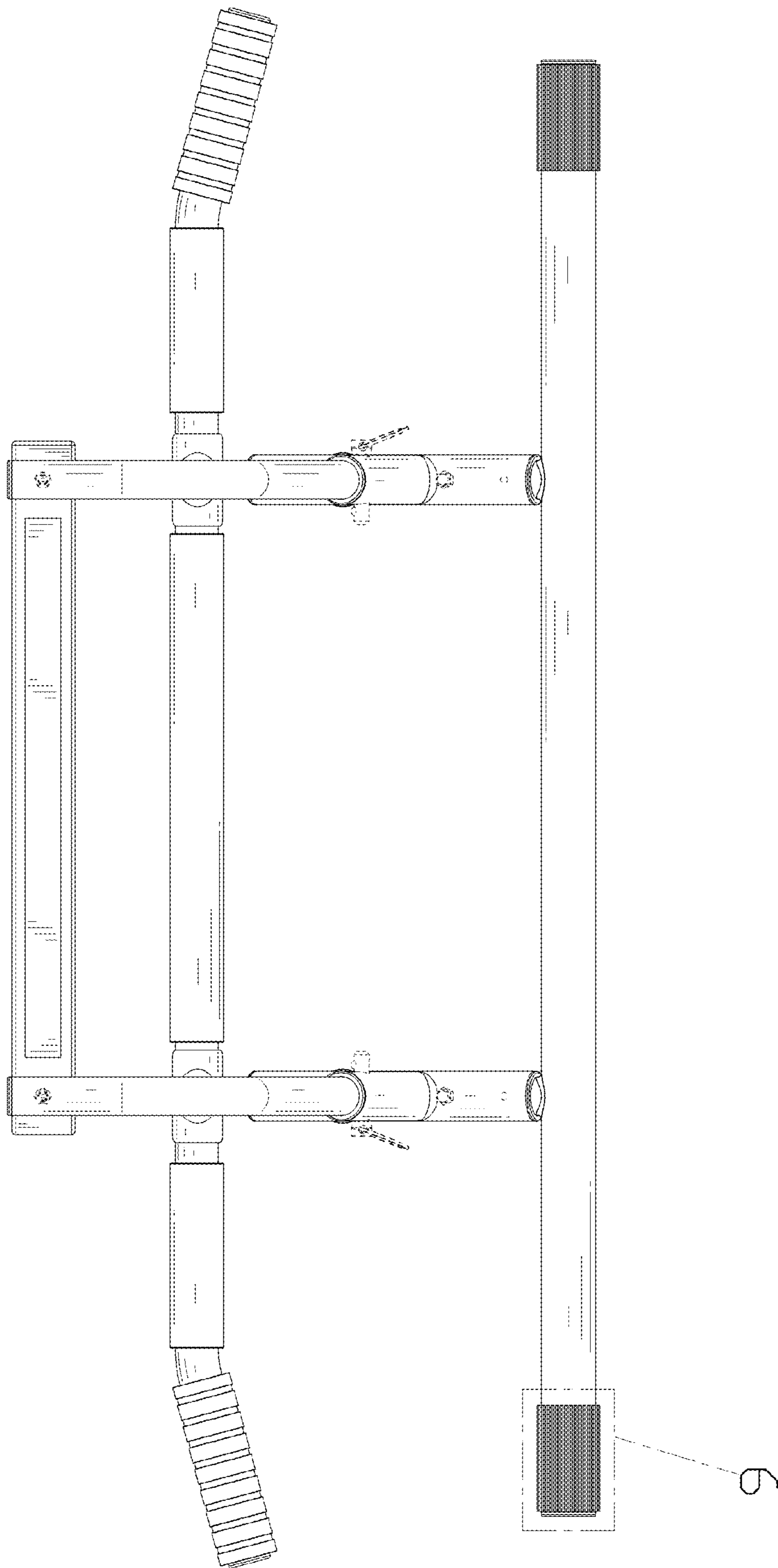


FIG. 3

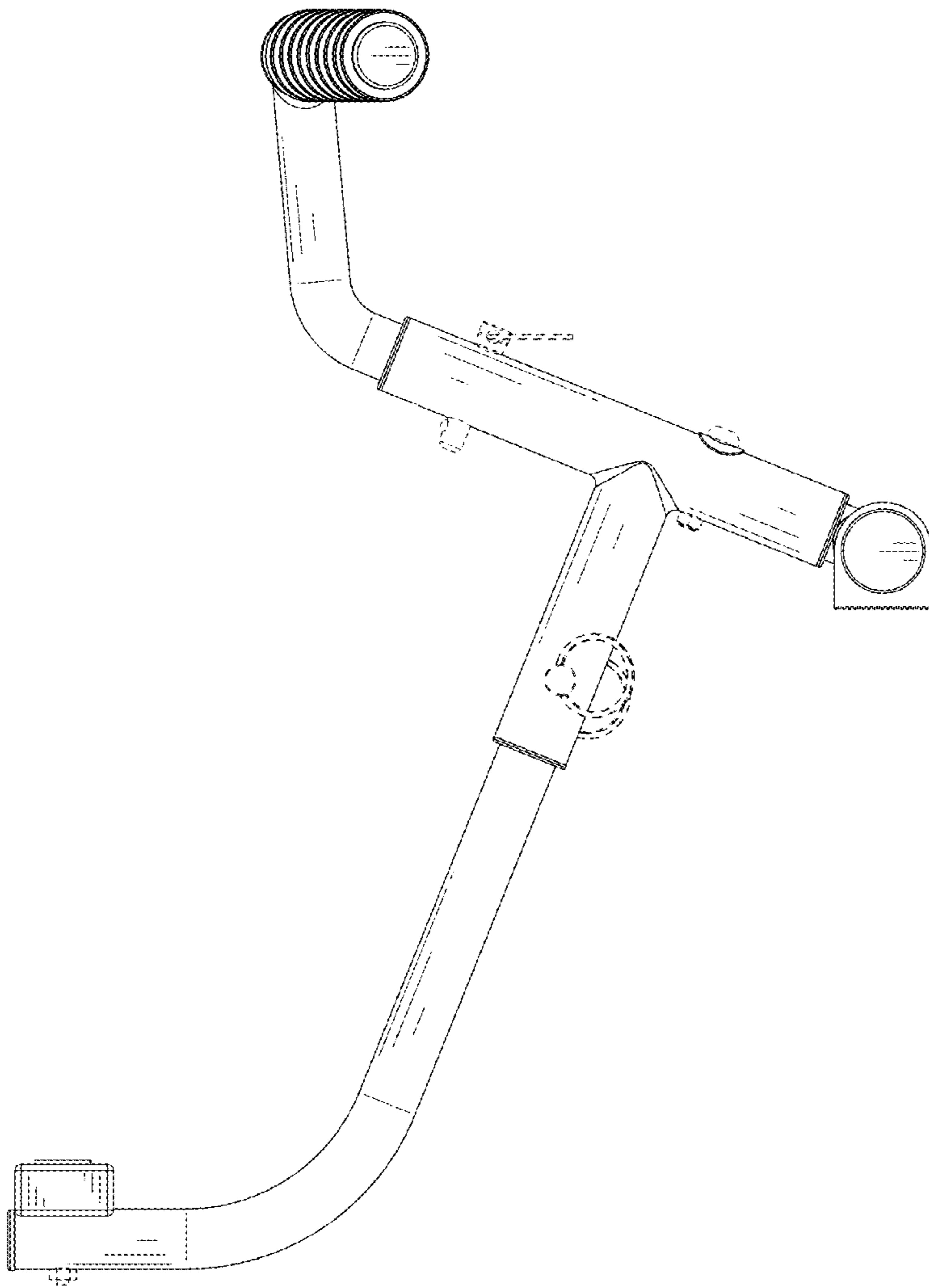


FIG. 4

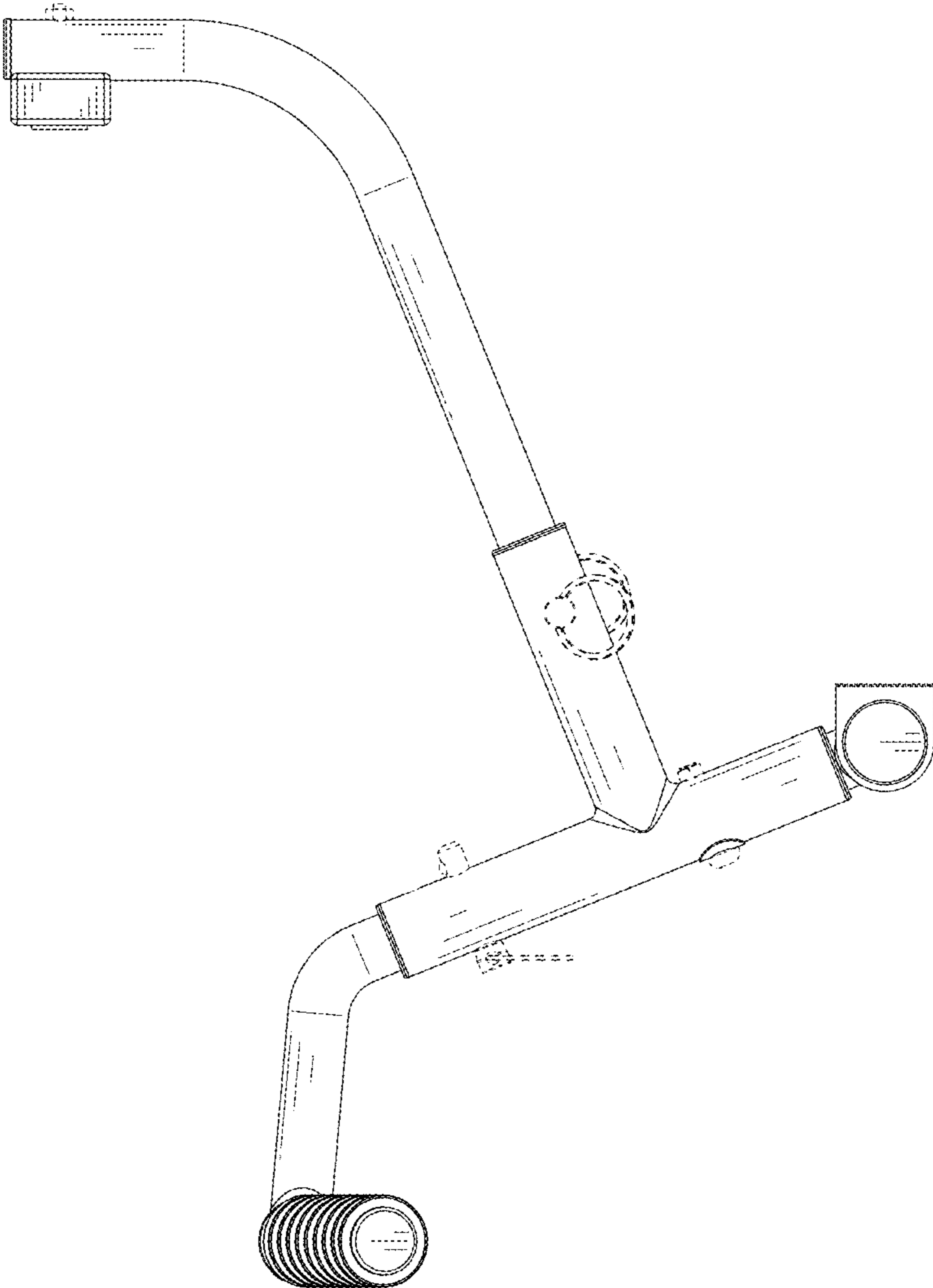


FIG. 5

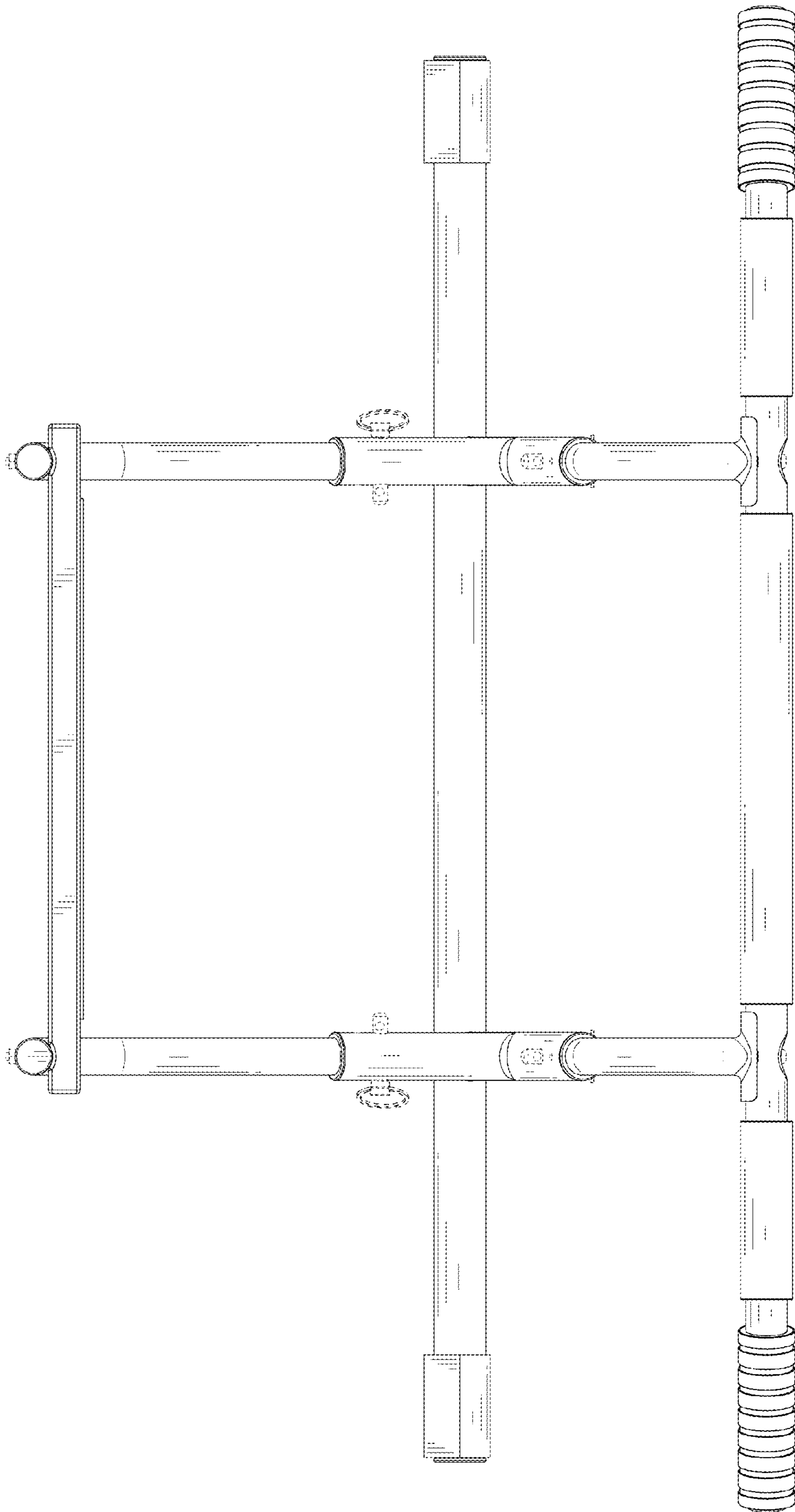


FIG. 6

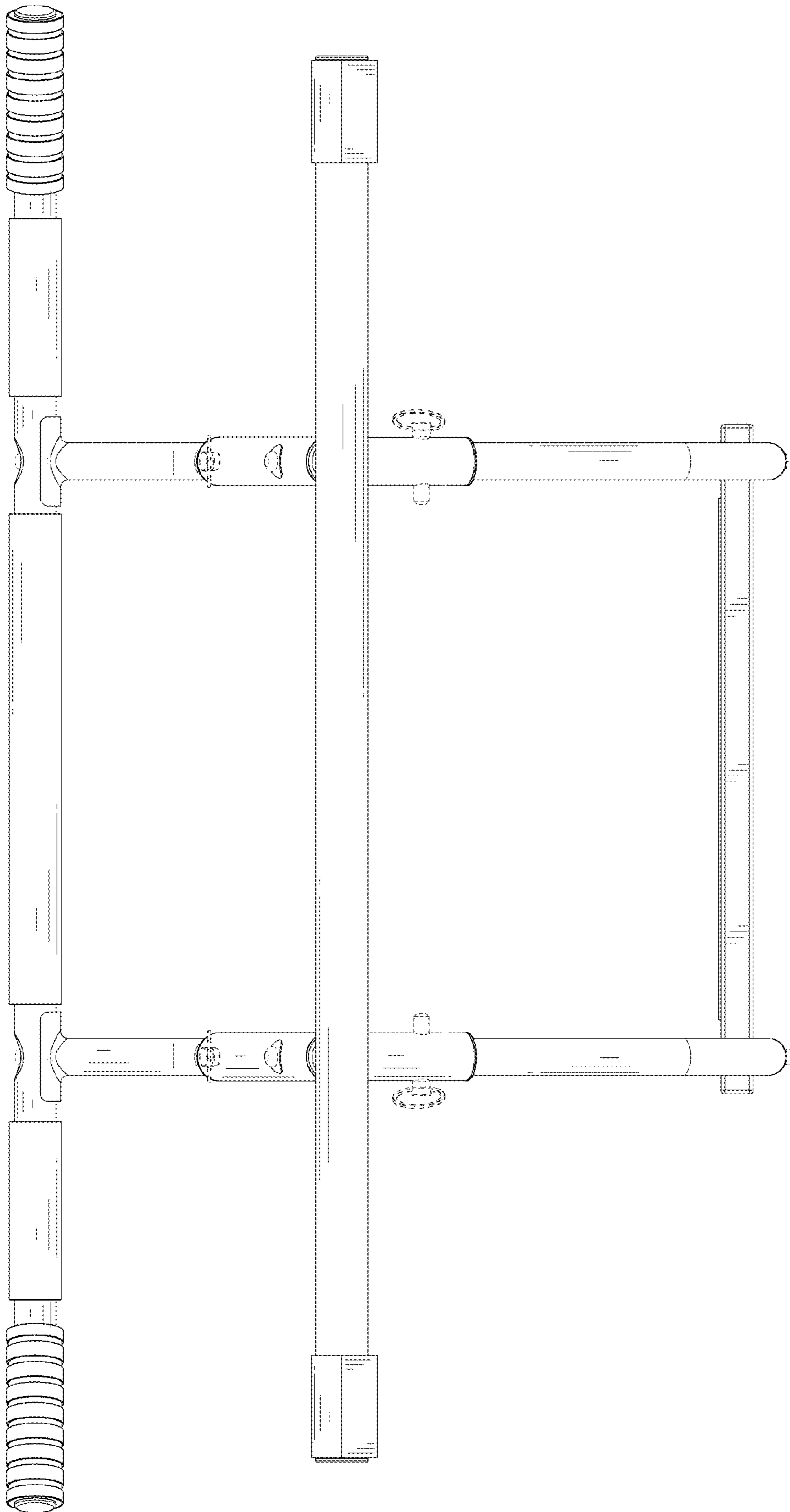


FIG. 7

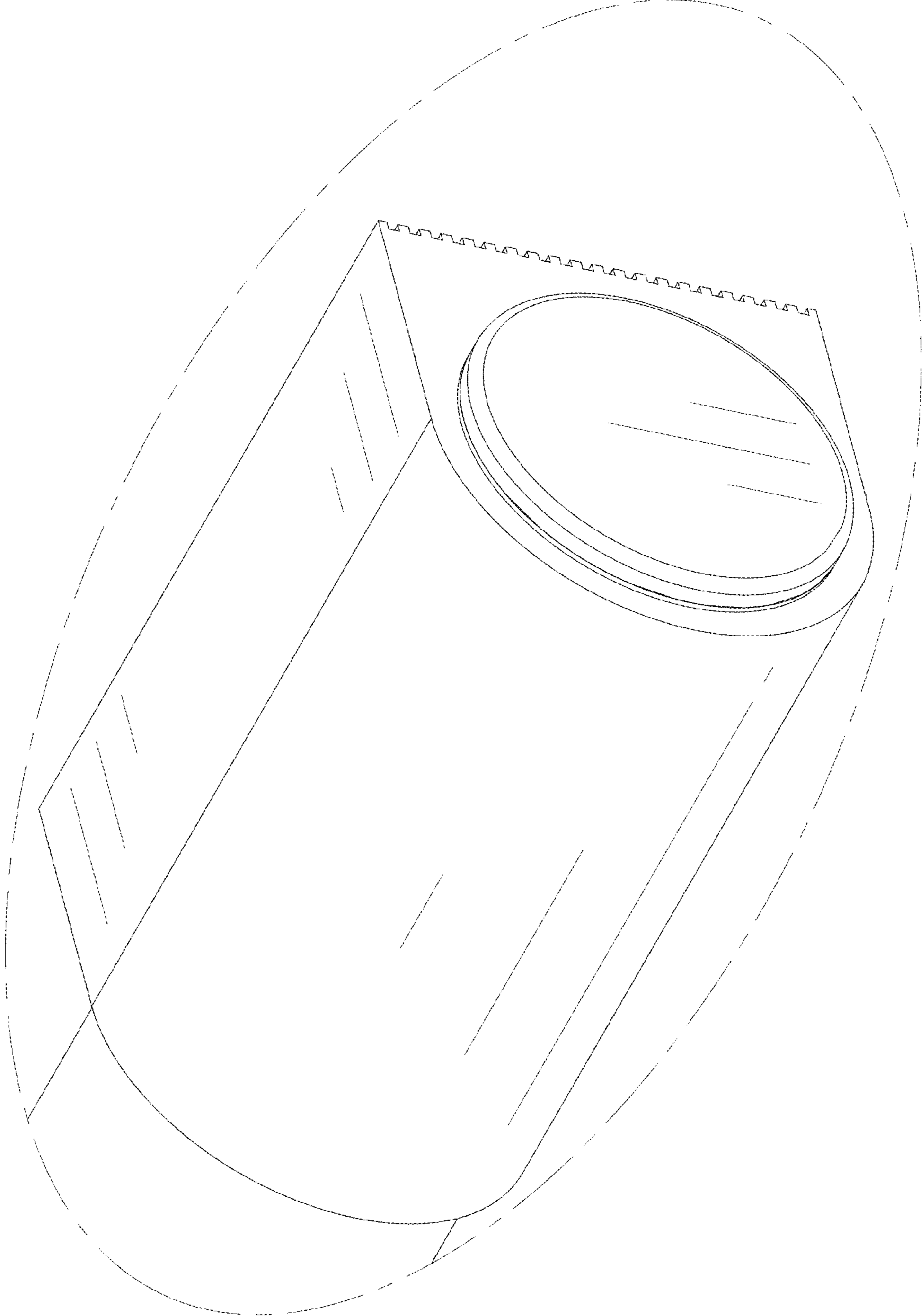


FIG. 8

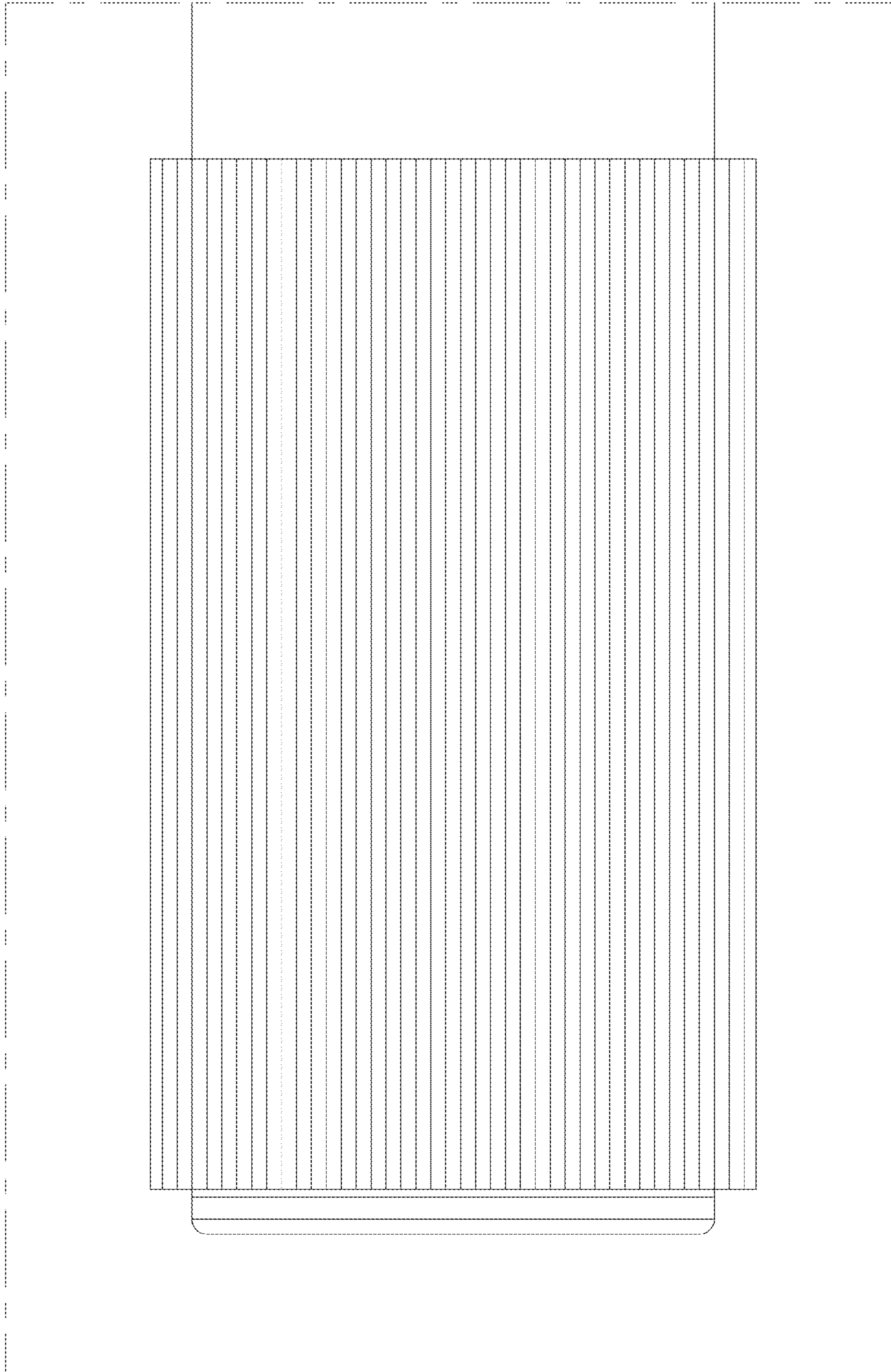


FIG. 9