

US00D956149S

(12) **United States Design Patent**
Xia et al.

(10) **Patent No.:** **US D956,149 S**
(45) **Date of Patent:** **** Jun. 28, 2022**

(54) **BICYCLE TRAINER**

(71) Applicant: **JINHUA UNISKY TOOLS CO., LTD.**, Jinhua (CN)
(72) Inventors: **Lu Xia**, Jinhua (CN); **Mingzheng Yan**, Xiangtan (CN)
(73) Assignee: **JINHUA UNISKY TOOLS CO., LTD.**, Jinhua (CN)
(**) Term: **15 Years**

(21) Appl. No.: **29/740,085**
(22) Filed: **Jul. 1, 2020**

(30) **Foreign Application Priority Data**

May 21, 2020 (CN) 202030239539.9
(51) **LOC (13) Cl.** **21-02**
(52) **U.S. Cl.**
USPC **D21/664**
(58) **Field of Classification Search**
USPC D21/432, 682, 694, 696, 697, 663, 664, D21/666, 667, 419, 662, 685
See application file for complete search history.

(56) **References Cited**

U.S. PATENT DOCUMENTS

D372,283 S * 7/1996 Chen D21/663
5,833,583 A * 11/1998 Chuang A63B 22/0664
482/57
D663,794 S * 7/2012 Bingham D21/663
10,576,348 B1 * 3/2020 Hawkins, III A63B 71/0622
2017/0025925 A1 * 1/2017 Wu F16H 7/1254
2021/0228938 A1 * 7/2021 Xia A63B 69/16

OTHER PUBLICATIONS

Unisky store, announced 2020[online], [site visited Mar. 9, 2022]. Available from the internet, URL:https://www.amazon.com/unisky-Trainer-Exercise-Training-Mountain/dp/B08228W6NP/ref=sr_1_14?dchild=1&keywords=bicycle+trainer&qid=1632331873&sr=8-14 (Year: 2020).*
Double fly, announced 2020[online], [site visited Mar. 9, 2022]. Available from the internet, URL:https://www.amazon.com/Wahoo-KICKR-Core-Smart-Trainer/dp/B07J16C4WL/ref=sr_1_94?dchild=1&keywords=bicycle+trainer&qid=1632332029&sr=8-94 (Year: 2020).*

* cited by examiner

Primary Examiner — Khawaja Anwar
Assistant Examiner — Julice Seung Eun Oum
(74) *Attorney, Agent, or Firm* — Bayramoglu Law Offices LLC

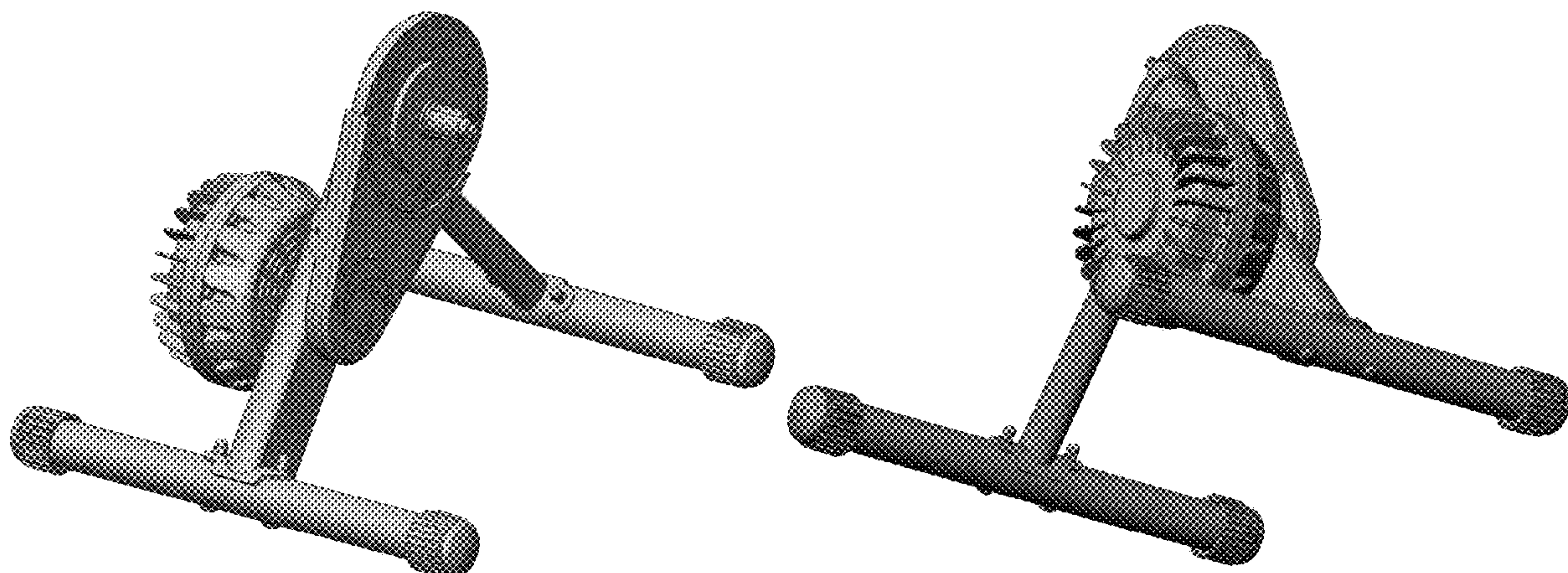
(57) **CLAIM**

The ornamental design for a bicycle trainer, as shown and described.

DESCRIPTION

FIG. 1 is a front view of a bicycle trainer showing our new design;
FIG. 2 is a rear view thereof;
FIG. 3 is a left side view thereof;
FIG. 4 is a right side view thereof;
FIG. 5 is a top plan view thereof;
FIG. 6 is a bottom plan view thereof;
FIG. 7 is a front, right and top perspective view thereof;
FIG. 8 is a rear, left and top perspective view thereof;
FIG. 9 is a rear, right and bottom perspective view thereof;
and,
FIG. 10 is a front, left and bottom perspective view thereof.

1 Claim, 10 Drawing Sheets



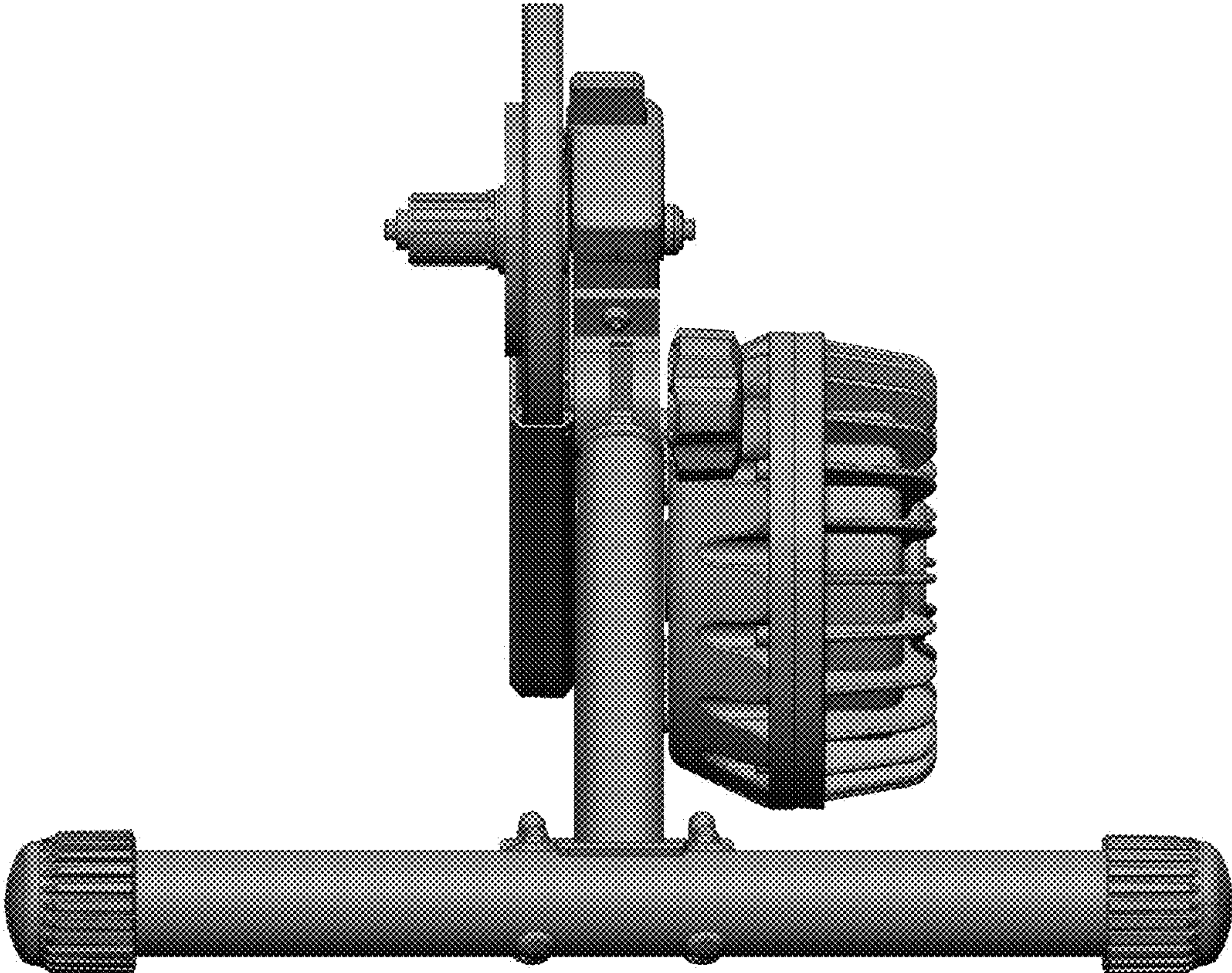


FIG. 1

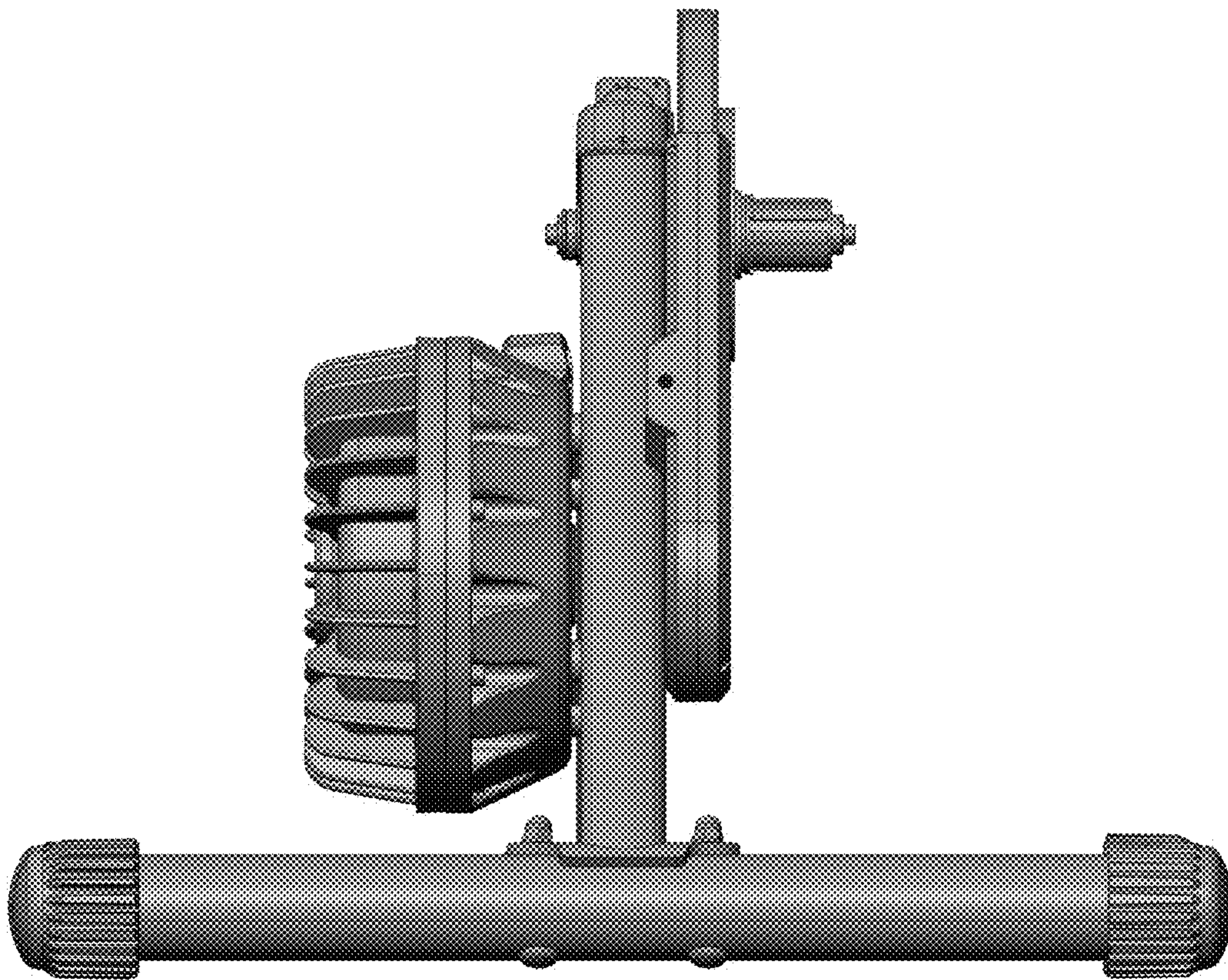


FIG. 2

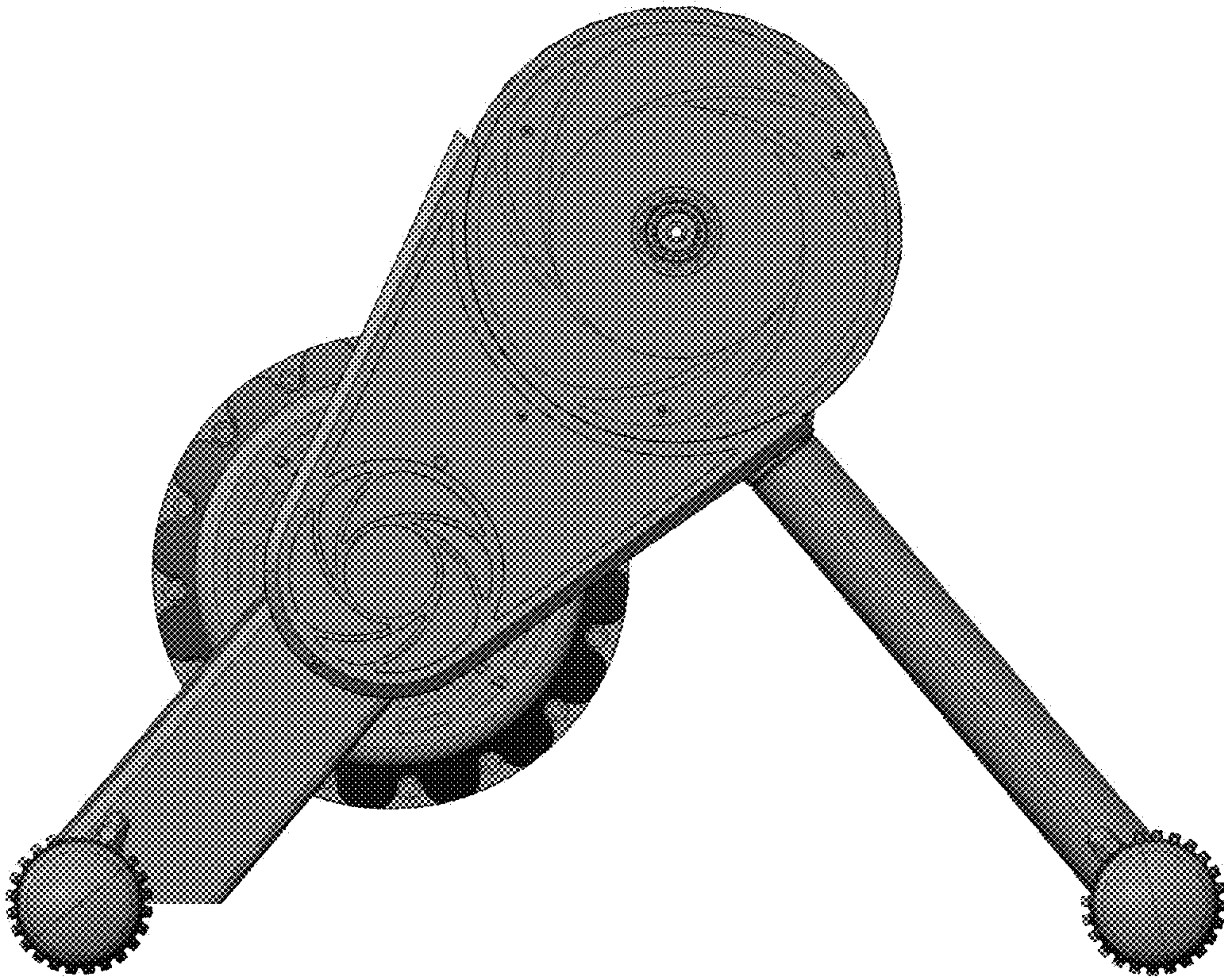


FIG. 3

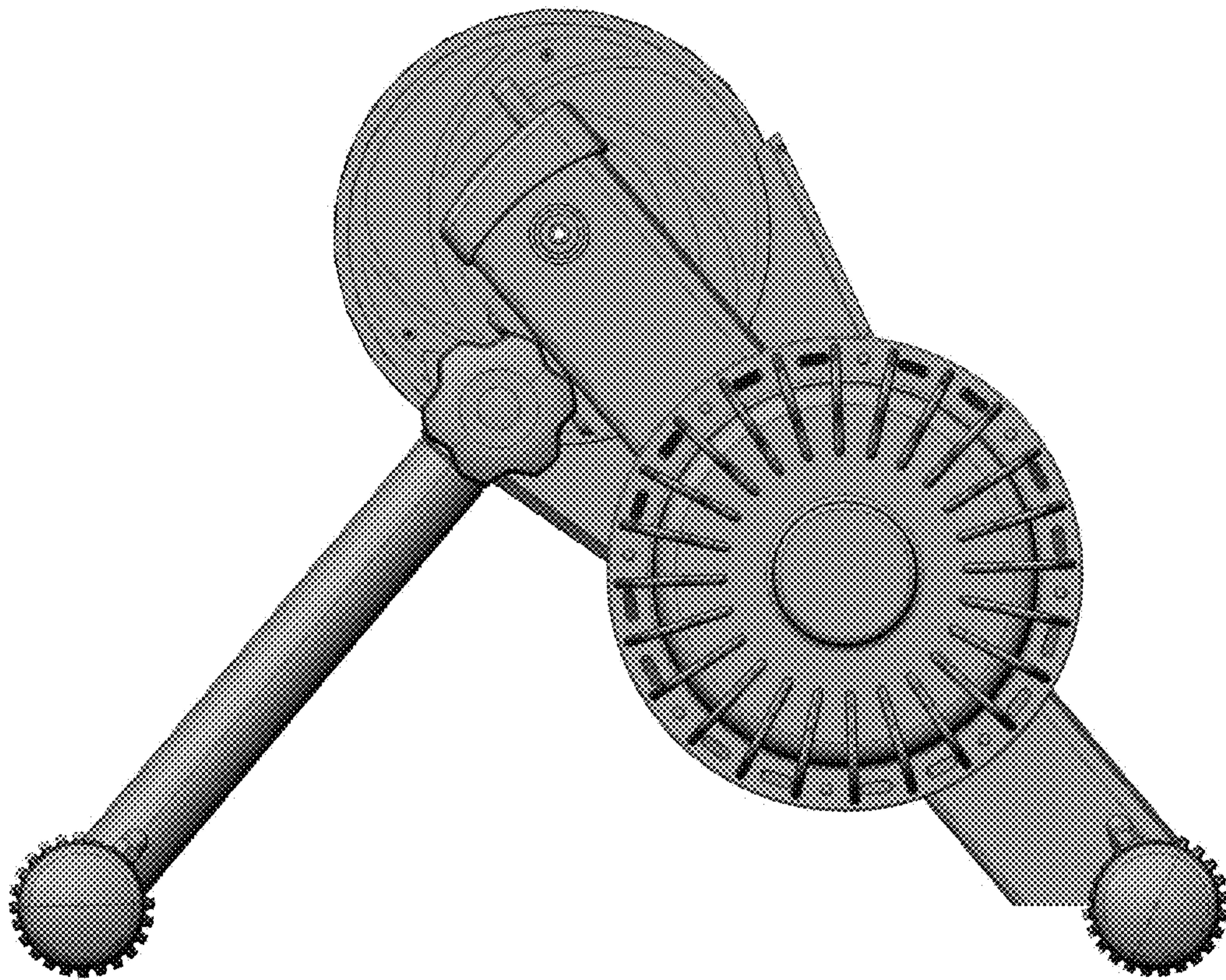


FIG. 4

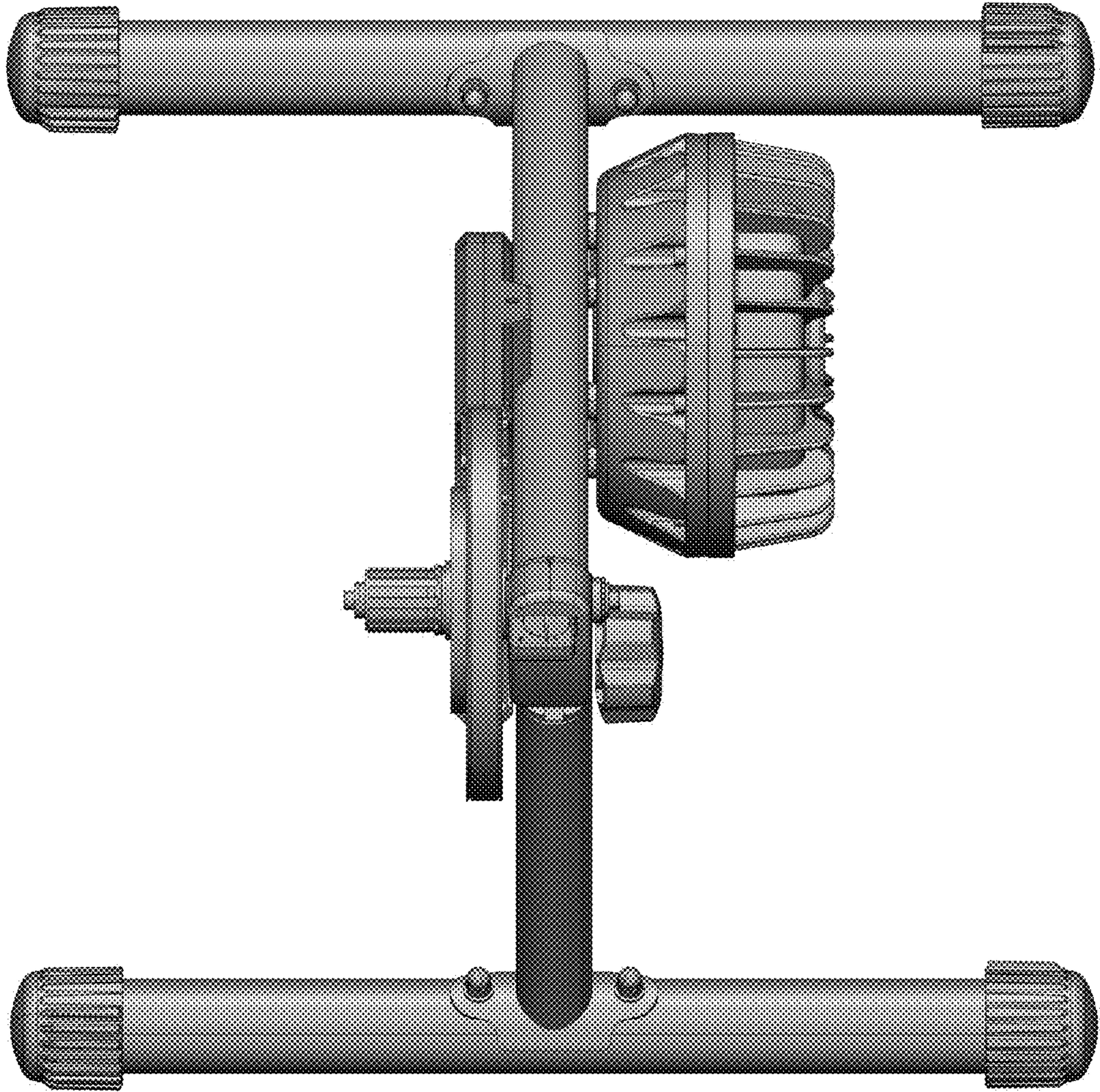


FIG. 5

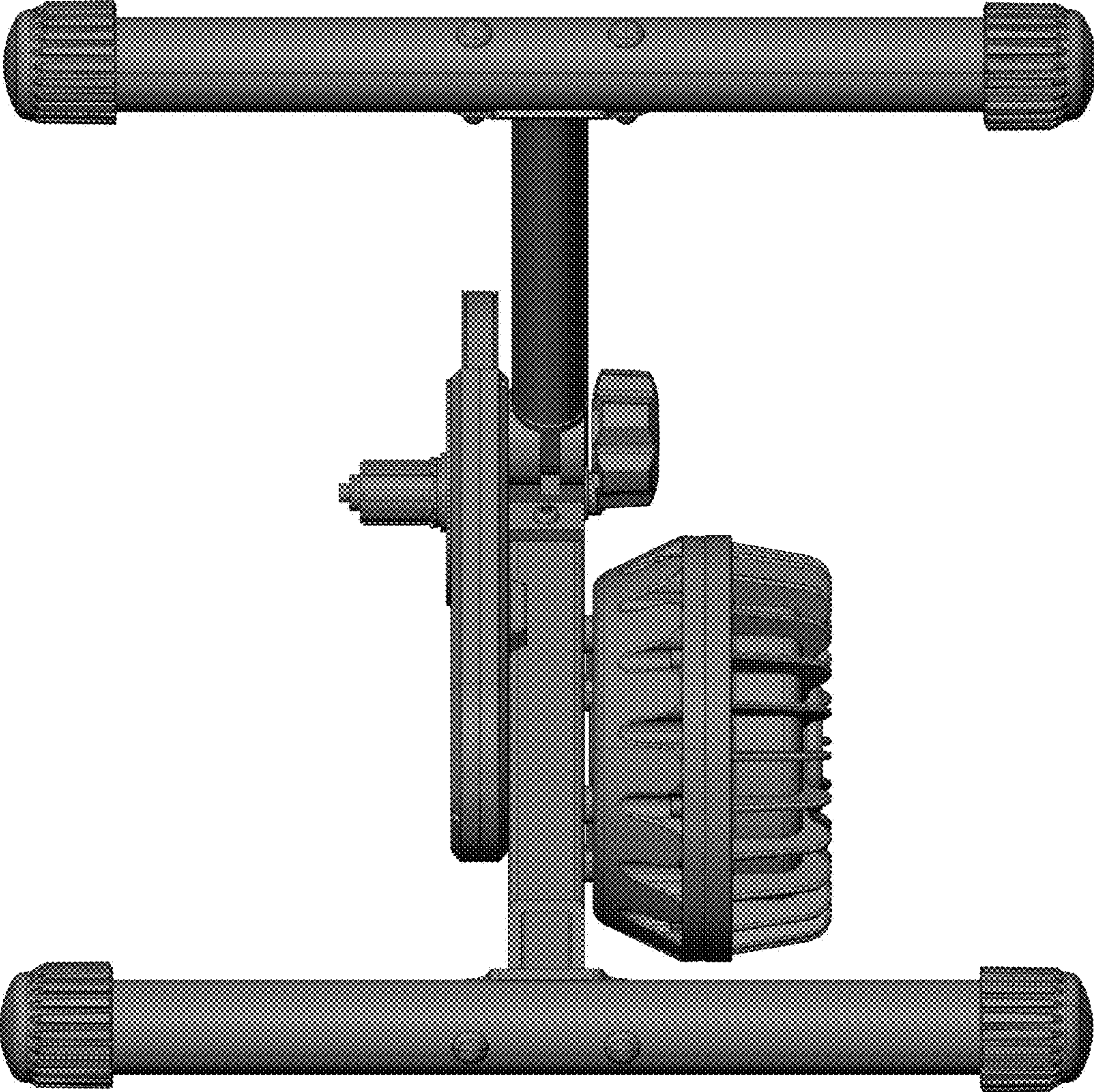


FIG. 6

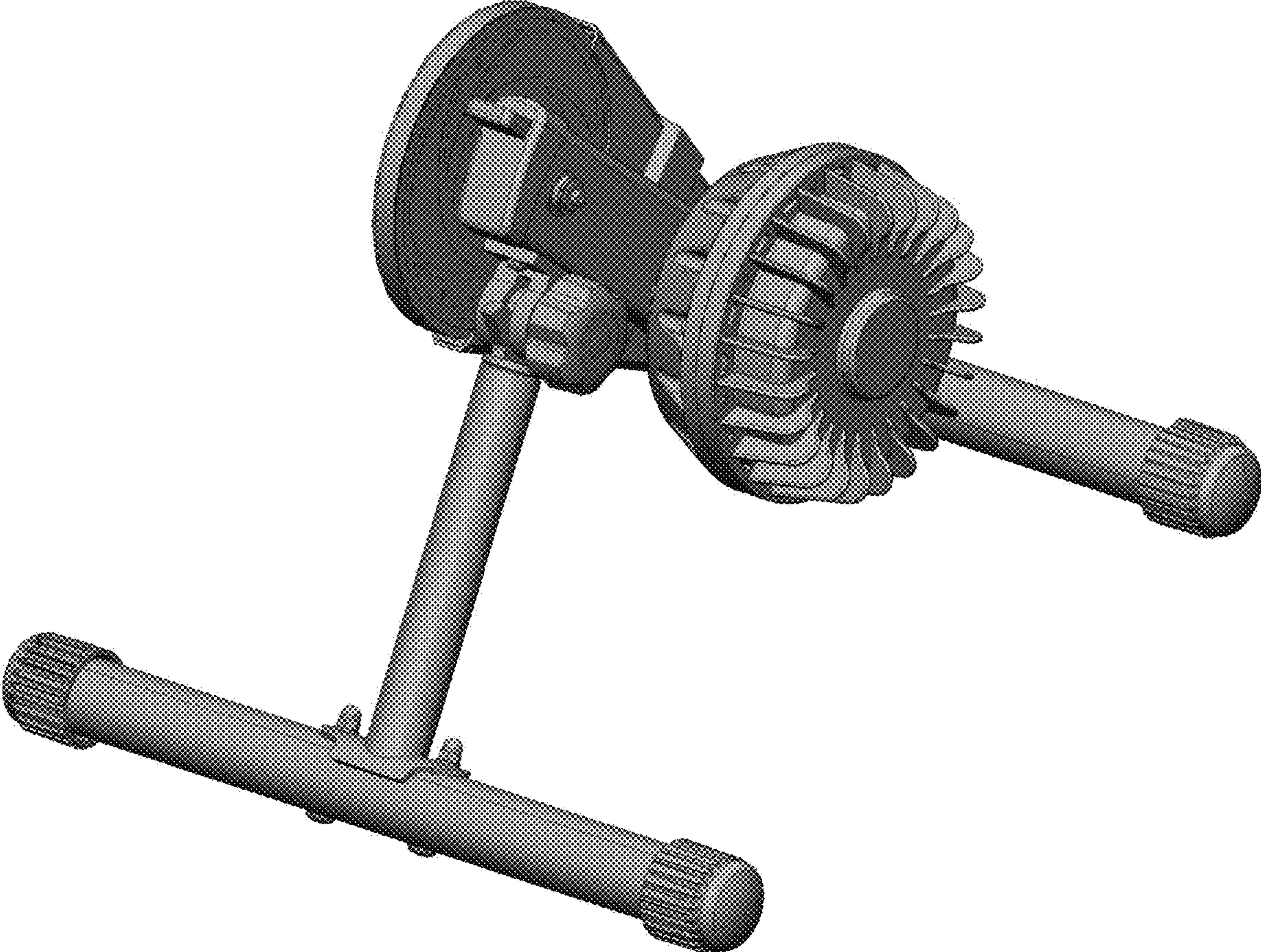


FIG. 7

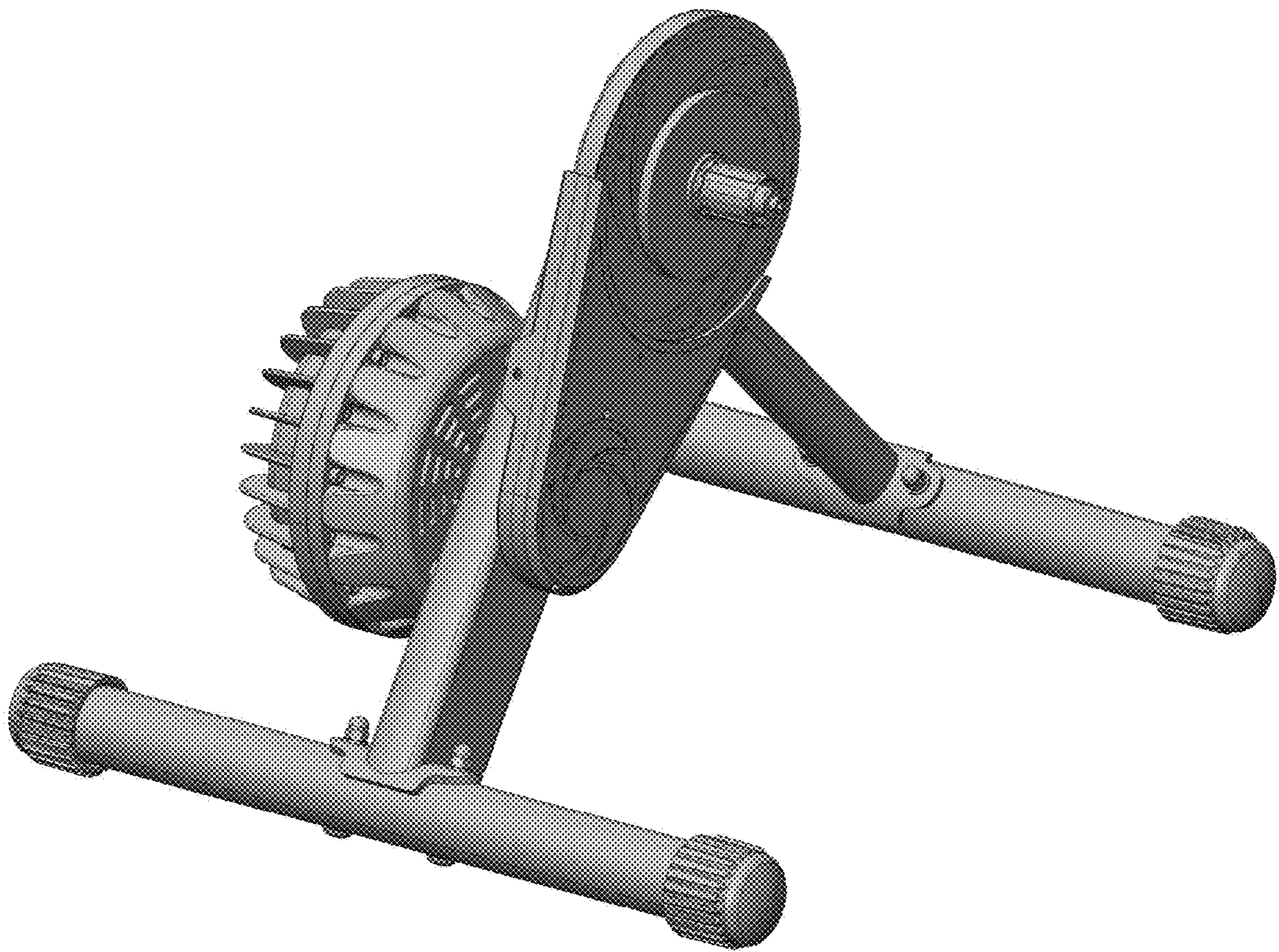


FIG. 8

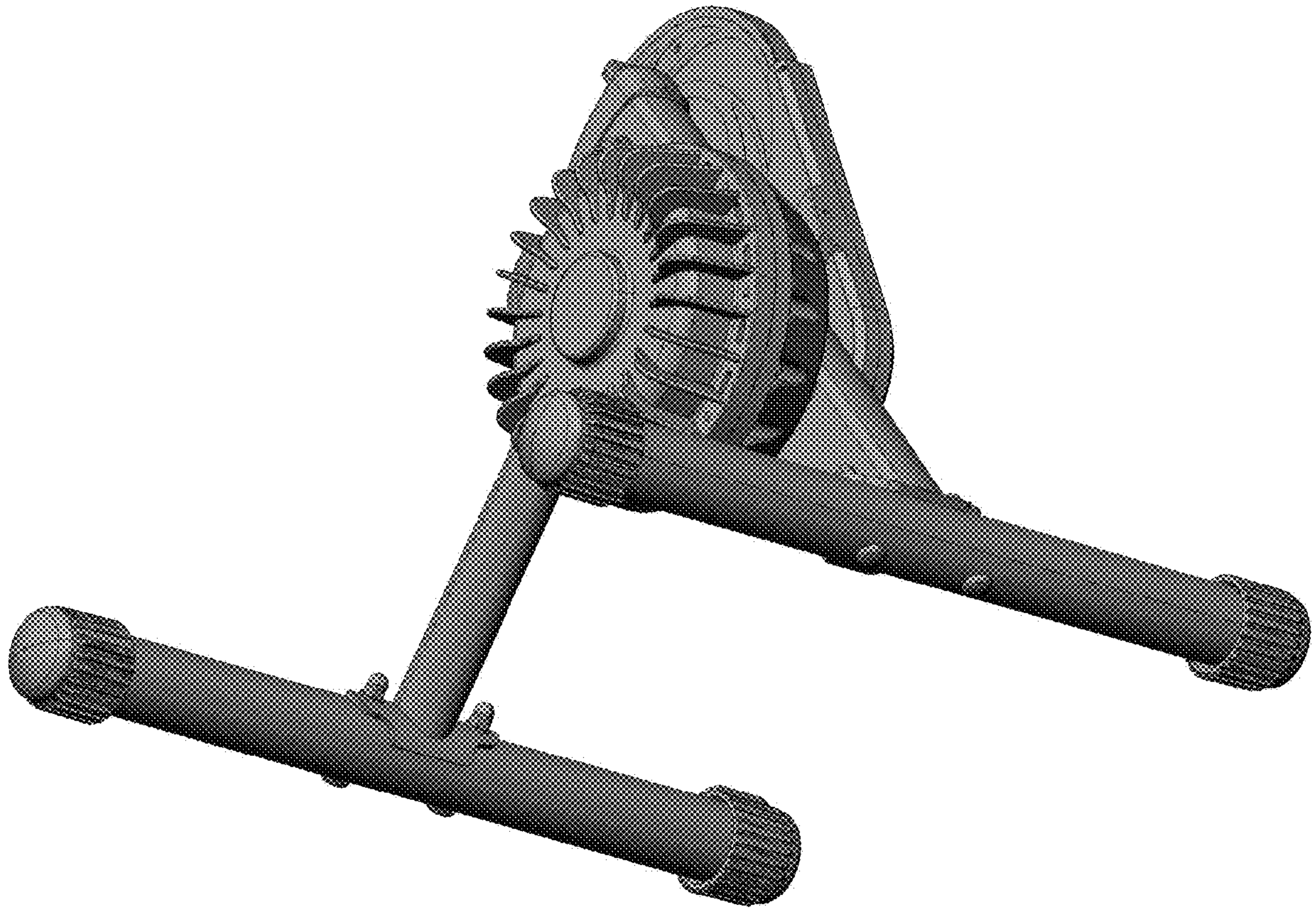


FIG. 9

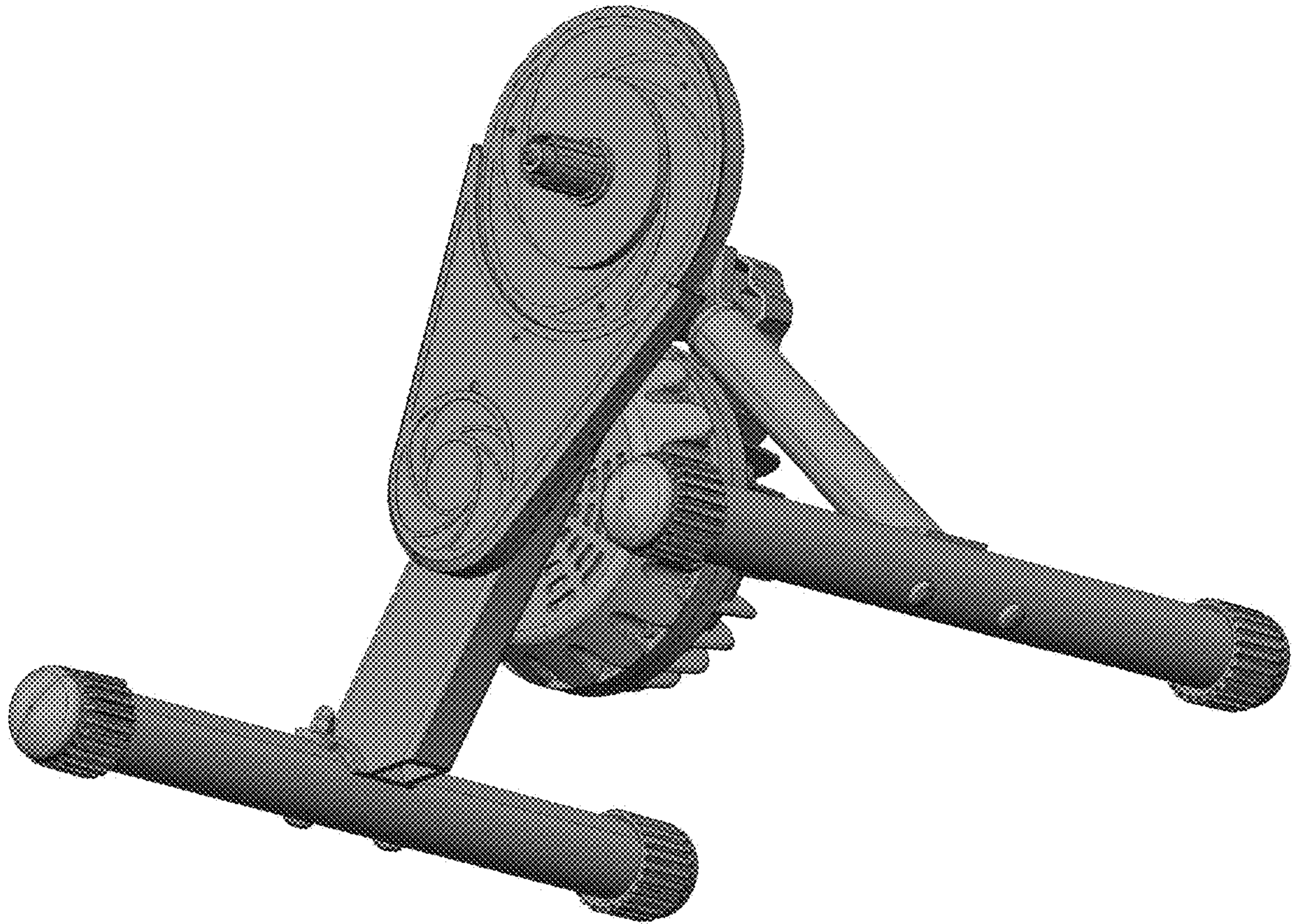


FIG. 10