



US00D956147S

(12) **United States Design Patent**  
**Sprowl et al.**

(10) **Patent No.:** **US D956,147 S**  
(45) **Date of Patent:** **\*\* \*Jun. 28, 2022**

(54) **MODEL VEHICLE BUMPER**

1,729,731 A 10/1929 Vidach  
(Continued)

(71) Applicant: **TRAXXAS, L.P.**, McKinney, TX (US)

(72) Inventors: **Jory Sprowl**, Honey Grove, TX (US);  
**Otto Karl Allmendinger**, Rowlett, TX (US)

(73) Assignee: **TRAXXAS, L.P.**, McKinney, TX (US)

(\*) Notice: This patent is subject to a terminal disclaimer.

(\*\*) Term: **15 Years**

(21) Appl. No.: **29/761,815**

(22) Filed: **Dec. 11, 2020**

(51) **LOC (13) Cl.** ..... **21-01**

(52) **U.S. Cl.**  
USPC ..... **D21/561**

(58) **Field of Classification Search**  
USPC ..... D21/419, 424, 427, 428, 431, 433, 434,  
D21/477, 483, 495, 533, 537, 539, 548,  
D21/549, 550-554, 556-562; D12/163,  
D12/164, 167, 172, 181  
CPC ..... B60R 19/02; B60R 19/44; B60R 19/48;  
B60R 19/18; B60R 2019/522; A63H  
17/262; B60G 15/067; B60G 2800/222;  
B62D 43/10; B62D 21/183

See application file for complete search history.

(56) **References Cited**

U.S. PATENT DOCUMENTS

1,355,592 A	10/1920	De Graw
1,414,382 A	5/1922	Stafford
1,427,624 A	8/1922	Newton
1,448,504 A	3/1923	Plante
1,464,321 A	8/1923	Koester et al.
1,468,868 A	9/1923	Reichstetter, Jr. et al.
1,487,352 A	3/1924	Nelson
1,494,867 A	5/1924	Rahe
1,509,394 A	9/1924	Cox
1,534,760 A	4/1925	Blackmore
1,633,603 A	6/1927	Spencer
1,655,978 A	1/1928	Vella

FOREIGN PATENT DOCUMENTS

CN 304466696 \* 1/2018  
DE 402017100863-0007 \* 7/2018  
(Continued)

OTHER PUBLICATIONS

Robatt, "Warn rock crawler front bumper on a 4RUNNER!!!" Oct. 14, 2009, yotatech.com, site visited Mar. 11, 2022, URL: <https://www.yotatech.com/forums/f116/warn-rock-crawler-front-bumper-4runner-190663/> (Year: 2009).\*

(Continued)

*Primary Examiner* — Eric L Goodman  
*Assistant Examiner* — Sarah L Smith

(74) *Attorney, Agent, or Firm* — Daryl R. Wright; Greg Carr

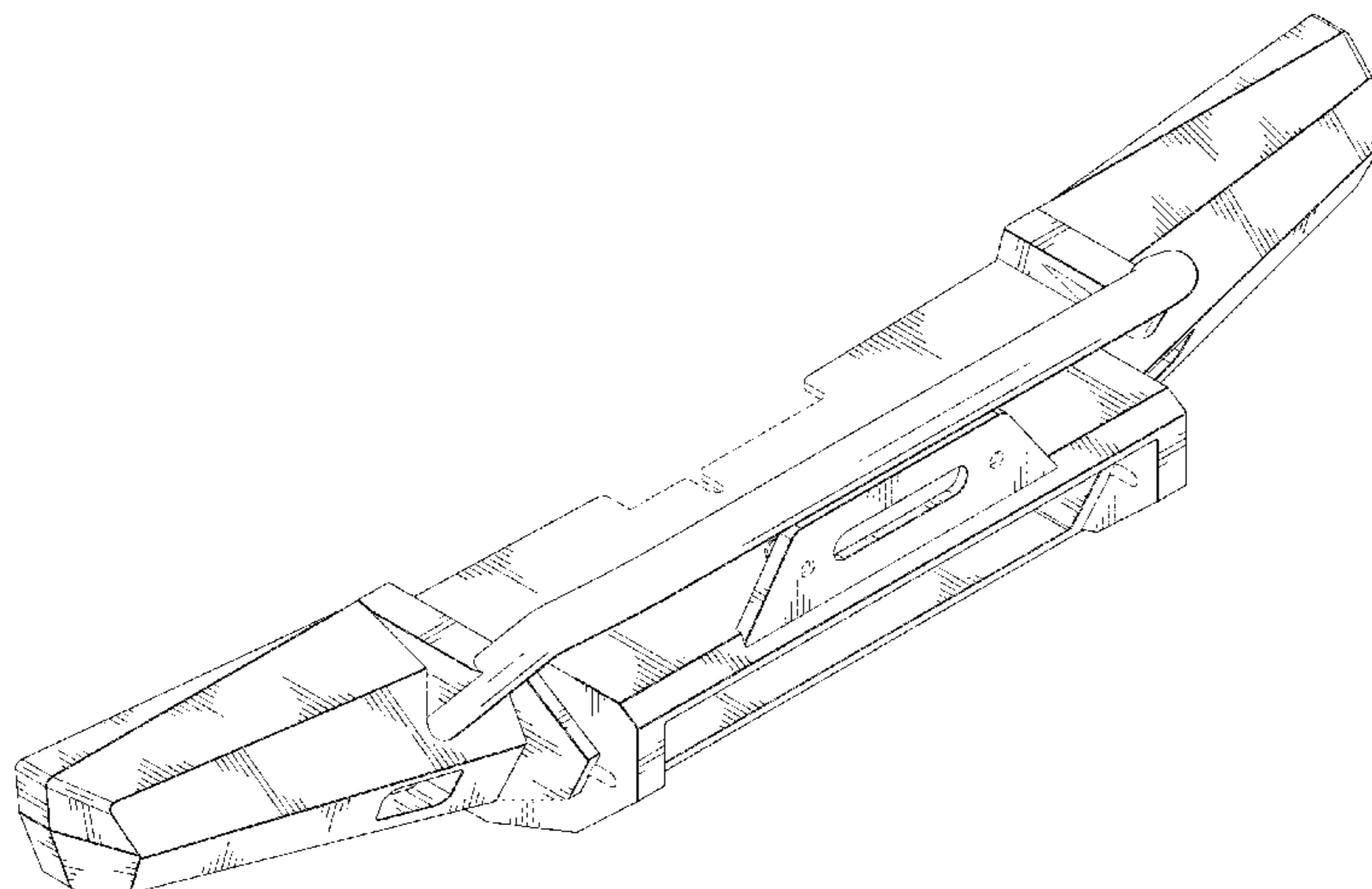
(57) **CLAIM**

We claim the ornamental design for a model vehicle bumper, as shown and described.

**DESCRIPTION**

FIG. 1 is an upper, right, front perspective view of a model vehicle bumper showing our new design; FIG. 2 is a front elevation view thereof; FIG. 3 is a rear elevation view thereof; FIG. 4 is a left side elevation view thereof; FIG. 5 is a right side elevation view thereof; FIG. 6 is an upper plan view thereof; FIG. 7 is a lower plan view thereof; and, FIG. 8 is a lower, left, front perspective view of the model vehicle bumper. In the drawings, the broken lines illustrate portions of the model vehicle bumper that form no part of the claimed design.

**1 Claim, 5 Drawing Sheets**



(56)

References Cited

U.S. PATENT DOCUMENTS

1,836,610	A	12/1931	McMurdo	D697,842	S	1/2014	Harriton	
1,867,708	A	7/1932	Paton	D699,640	S	2/2014	Duderstadt	
1,982,775	A	12/1934	Williams	D704,107	S	5/2014	Peltola et al.	
2,038,964	A	4/1936	Smith	D713,305	S	9/2014	Sperling et al.	
2,144,357	A	1/1939	Booharin	D716,201	S	10/2014	Ewing et al.	
2,146,642	A	2/1939	Mueth	D722,927	S	2/2015	Schroeder et al.	
2,227,560	A	1/1941	Szabo	D726,605	S	4/2015	Schroeder	
2,236,507	A	4/1941	Kreits	D728,038	S	4/2015	Ewing et al.	
D160,661	S	12/1949	Ross	D737,181	S	8/2015	Smith et al.	
2,502,483	A	4/1950	Sauer et al.	D737,724	S	9/2015	Schroeder et al.	
2,604,349	A	7/1952	Martinetz	D737,739	S	9/2015	Hanson et al.	
3,547,469	A	12/1970	Sancioni	D740,730	S	10/2015	Peltola et al.	
3,663,048	A	5/1972	Zimmerle	D741,233	S	10/2015	Glover et al.	
3,689,054	A	9/1972	Gouirand	D744,384	S	12/2015	Harriton	
D225,523	S	12/1972	Nunn	D744,386	S	12/2015	Harriton	
3,756,643	A	9/1973	Weed	D744,387	S	12/2015	Harriton	
3,774,948	A	11/1973	Gouirand	D744,388	S	12/2015	Harriton	
3,782,767	A	1/1974	Moore	D749,021	S	2/2016	Boniface et al.	
3,829,118	A	8/1974	Gouirand	D749,995	S	2/2016	Azadi et al.	
3,837,695	A	9/1974	Haase et al.	D751,012	S	* 3/2016	Hare	D12/171
D234,194	S	1/1975	Cline	D753,034	S	4/2016	Thole et al.	
3,938,840	A	2/1976	Haase et al.	D760,133	S	6/2016	Bennett et al.	
3,971,583	A	7/1976	Kornhauser	D761,166	S	7/2016	Hare	
D245,774	S	9/1977	Norris	D763,745	S	8/2016	Lee, IV et al.	
4,264,094	A	4/1981	White et al.	D764,728	S	8/2016	Choi et al.	
D259,556	S	6/1981	Norris	D764,729	S	8/2016	Choi et al.	
D259,557	S	6/1981	Norris	D769,945	S	10/2016	Serrurier et al.	
D275,776	S	10/1984	Horowitz et al.	D771,537	S	11/2016	Hare	
D300,128	S	* 3/1989	Brennan	D775,013	S	12/2016	Bennett et al.	
5,181,699	A	1/1993	Chang	D775,016	S	12/2016	Reynolds	
5,326,083	A	7/1994	Wydra et al.	D775,032	S	12/2016	Palmer et al.	
D350,516	S	9/1994	Hanson	D776,582	S	1/2017	Bennett et al.	
D360,865	S	8/1995	Hanson	D777,618	S	1/2017	Setina	
D375,067	S	* 10/1996	Bronstein	D777,619	S	* 1/2017	Barajas	D12/171
				D778,213	S	2/2017	Platto et al.	
				D778,784	S	2/2017	Hirooka	
				D781,193	S	3/2017	McMath	
				D781,757	S	3/2017	Baggett	
				D784,869	S	4/2017	Yamamoto	
				D785,504	S	5/2017	Higgs	
				D786,745	S	5/2017	Zeng	
				D788,826	S	6/2017	Serrurier et al.	
				D789,258	S	* 6/2017	McMath	D12/167
				D790,600	S	6/2017	Serrurier et al.	
				D792,817	S	* 7/2017	McMath	D12/171
				D792,818	S	* 7/2017	McMath	D12/171
				D793,304	S	* 8/2017	McMath	D12/171
				D794,519	S	* 8/2017	McMath	D12/171
				D796,399	S	9/2017	Steen	
				D800,028	S	10/2017	Baggett	
				D800,036	S	10/2017	Bennett et al.	
				D800,226	S	10/2017	Zeng	
				D801,892	S	11/2017	Drever	
				D810,626	S	2/2018	Macey et al.	
				D811,956	S	3/2018	Zeng	
				D814,984	S	* 4/2018	Wymore	D12/167
				D821,275	S	6/2018	Eck et al.	
				D823,750	S	7/2018	Schulzetenberg et al.	
				D825,385	S	8/2018	Ma	
				D826,115	S	8/2018	Chi	
				D826,116	S	8/2018	DiCanzio	
				D827,054	S	8/2018	Ewing et al.	
				D827,055	S	* 8/2018	Barajas	D21/561
				D828,223	S	9/2018	Piscitelli	
				D830,919	S	10/2018	Zeng	
				D832,161	S	10/2018	Kobayashi	
				D832,368	S	* 10/2018	Barajas	D21/561
				D833,922	S	11/2018	DiCanzio	
				D845,844	S	4/2019	Langhals et al.	
				D845,845	S	4/2019	Goodrich et al.	
				D845,846	S	4/2019	Goodrich et al.	
				D845,847	S	4/2019	Piscitelli et al.	
				D846,460	S	4/2019	Goodrich et al.	
				D846,461	S	4/2019	Piscitelli et al.	
				D846,462	S	4/2019	DiCanzio	
				D847,051	S	4/2019	DiCanzio	
				D847,709	S	5/2019	Neal	
				D850,334	S	6/2019	DiCanzio	
				D860,881	S	9/2019	Ninov et al.	
D403,023	S	12/1998	Araki					
5,971,451	A	10/1999	Huang					
D420,634	S	2/2000	Nelson					
D420,962	S	2/2000	Chevalier					
D422,953	S	4/2000	Waagenaar					
D425,462	S	5/2000	Ujiie					
D431,506	S	10/2000	Runfola					
D432,469	S	10/2000	Nelson					
6,217,090	B1	4/2001	Berzinji					
D454,098	S	3/2002	McGuinness					
D454,099	S	3/2002	McGuinness					
D454,817	S	* 3/2002	McGuinness				D12/171	
D455,684	S	* 4/2002	McGuinness				D12/171	
D455,988	S	4/2002	McGuinness					
D460,499	S	7/2002	Wu					
D462,401	S	9/2002	Wu					
D462,727	S	9/2002	Wu					
D464,087	S	10/2002	Wu					
D476,606	S	7/2003	Hamm et al.					
D485,219	S	1/2004	Hamm et al.					
D487,038	S	2/2004	Chan					
D502,433	S	3/2005	McClanahan					
D506,421	S	* 6/2005	Newbill				D12/169	
D521,572	S	5/2006	Yuen					
7,097,222	B2	8/2006	Ran					
D527,696	S	9/2006	Ichikawa et al.					
D532,348	S	11/2006	Kudo et al.					
D533,606	S	12/2006	Kaminski					
D534,593	S	1/2007	Yuen					
D565,484	S	4/2008	Johnson et al.					
D577,083	S	9/2008	Nakayama					
D580,322	S	11/2008	Schroeder et al.					
D590,752	S	4/2009	Williams et al.					
D593,616	S	6/2009	Asai					
D606,913	S	12/2009	Robertson					
7,703,834	B1	4/2010	Hardy et al.					
D636,305	S	4/2011	Alvarez et al.					
D642,099	S	7/2011	Nagao et al.					
D683,281	S	5/2013	Harriton					
D691,074	S	10/2013	Dugardin					

(56)

References Cited

U.S. PATENT DOCUMENTS

D864,806 S \* 10/2019 Wood ..... D12/171  
 D870,615 S 12/2019 Wood  
 D873,729 S 1/2020 Rolfs et al.  
 D873,730 S 1/2020 Goodrich et al.  
 D873,731 S 1/2020 Goodrich et al.  
 D873,734 S 1/2020 Goodrich et al.  
 D874,998 S 2/2020 Zhang  
 D874,999 S 2/2020 Ewing et al.  
 D877,003 S 3/2020 Izard  
 D877,670 S \* 3/2020 Moctezuma ..... D12/171  
 D878,976 S 3/2020 Goodrich et al.  
 D878,978 S 3/2020 Li  
 D880,381 S 4/2020 DiCanzio  
 D887,328 S 6/2020 Lee  
 D889,332 S 7/2020 Chi  
 D890,036 S \* 7/2020 Marshall ..... D12/169  
 D891,330 S 7/2020 Lenz, Jr.  
 D893,366 S 8/2020 Dewitt et al.  
 D894,802 S 9/2020 Grand  
 D894,803 S 9/2020 DiCanzio  
 D896,139 S 9/2020 Williams  
 D904,244 S 12/2020 Wood et al.  
 D908,177 S 1/2021 Sprowl et al.  
 D908,561 S 1/2021 Harriton et al.  
 D908,562 S 1/2021 Harriton et al.  
 D909,918 S 2/2021 Langhals et al.  
 D910,493 S 2/2021 Langhals et al.  
 D910,507 S \* 2/2021 Bennett ..... D12/169  
 D918,802 S 5/2021 Huang  
 D918,803 S \* 5/2021 Wood ..... B60R 3/02  
 D12/171  
 D919,516 S 5/2021 Chi  
 D920,194 S 5/2021 Mallicote et al.  
 11,014,517 B2 \* 5/2021 Hatch ..... B60R 3/02  
 D923,111 S \* 6/2021 Wood ..... D21/561  
 D923,112 S 6/2021 Hagler et al.  
 D923,113 S 6/2021 Hagler et al.  
 D937,146 S 11/2021 Kaoud et al.  
 D940,015 S \* 1/2022 Sprowl ..... A63H 27/12  
 D12/169  
 2006/0021188 A1 2/2006 Lee  
 2006/0192398 A1 8/2006 Buniewicz et al.  
 2006/0261613 A1 11/2006 Byers et al.  
 2009/0212581 A1 8/2009 Drever  
 2009/0302623 A1 12/2009 Finney  
 2013/0187395 A1 7/2013 Hanson et al.  
 2013/0257070 A1 \* 10/2013 Ebara ..... B60R 19/26  
 293/132  
 2017/0088076 A1 \* 3/2017 Fujimoto ..... B60R 19/12  
 2017/0247014 A1 8/2017 Farooq et al.  
 2017/0349227 A1 12/2017 Spindler et al.  
 2018/0072254 A1 3/2018 Wymore  
 2019/0337476 A1 11/2019 Hare et al.  
 2021/0046395 A1 \* 2/2021 Allmendinger ..... A63H 27/12

FOREIGN PATENT DOCUMENTS

EM 008468474-0002 3/2021  
 TW D147600 S 6/2012  
 TW D154920 S 7/2013  
 TW D163365 S 10/2014  
 TW D168397 S 6/2015  
 TW D169825 S 8/2015  
 WO 2007056481 A2 5/2007

OTHER PUBLICATIONS

“Tags,” Feb. 2, 2017, pxhere.com, site visited Mar. 11, 2022, URL: <https://pxhere.com/en/photo/601400> (Year: 2017).  
 “That new new,” Nov. 20, 2019, facebook.com, site visited Nov. 20, 2019, URL: <https://www.facebook.com/traxxas/photos/2589499214431423> (Year: 2019).\*

“RC Front Bumper,” Aug. 28, 2019, amazon.com, site visited Mar. 11, 2022, URL: <https://www.amazon.com/Aluminum-Traxxas-Crawler-Large-Size-Heavy-Metal/dp/B07X42VJNY/> (Year: 2019).  
 “Wide World of TRX-4 Sports: Part 2,” Oct. 28, 2020, facebook.com, site visited Mar. 11, 2022, URL: <https://www.facebook.com/traxxas/photos/3475502935831042> (Year: 2020).  
 “Wake up & find your adventure!” Sep. 26, 2020, facebook.com, site visited Mar. 11, 2022, URL: <https://www.facebook.com/traxxas/photos/3378456638869006> (Year: 2020).  
 Traxxas LP; The New Traxxas Summit 16.8 V Electric Extreme Terrain Monster Truck; Traxxas Press Release; Oct. 16, 2008.  
 Summit E-Revo Crawler SP08503 front bumper; Oct. 16, 2008.  
 “How Do I Add a Ball Hitch to my RPM Rear Bumper (T/E-Maxx & Revo Bumpers)?” RPM, Jul. 30, 2005 [online], [retrieved on Sep. 12, 1996]. Retrieved from the internet, URL: <http://www.rpmreproducts.com/faq/add-ball-hitch-rpm-rear-bumper-te-maxx-revo-bumpers/>.  
 “WARN 87750 Elite Series Front Bumper with Grill Guard Tube” RPM, Jul. 17, 2013 [online], [retrieved on Sep. 12, 2016]. Retrieved from Internet, URL: [https://www.amazon.com/gp/product/B00625F4FI/ref=pd\\_sim\\_263\\_5?ie=UTF8&pd\\_rd\\_i=B00625F4FI&pd\\_rd\\_r=QN6NZ5WV34ZS00Z3BSGH&pd\\_rd\\_w=4XjJD&pd\\_rd\\_wg=7Z80V&psc=1&refRID=QN6NZ5WV34ZS0](https://www.amazon.com/gp/product/B00625F4FI/ref=pd_sim_263_5?ie=UTF8&pd_rd_i=B00625F4FI&pd_rd_r=QN6NZ5WV34ZS00Z3BSGH&pd_rd_w=4XjJD&pd_rd_wg=7Z80V&psc=1&refRID=QN6NZ5WV34ZS0).  
 “Yeah Racing F/R Bumper w/ HD Shackie & LED’s—SCX10, Traxxas.” RC Hobbies, Nov. 12, 2014 [online], [retrieved on Sep. 12, 2016]. Retrieved from the Internet <URL: [http://rchoobbies.com.au/store/product\\_info.php?products\\_id=80405](http://rchoobbies.com.au/store/product_info.php?products_id=80405)>.  
 Taiwan IPO Search Report; Taiwan Design Patent App No. 105301434; dated Aug. 4, 2016.  
 Associated Electrics; “Catalog and Parts Listing for the Monster GT Truck”; 2003; Associated Electrics, Inc., Costa Mesa, California.  
 Horizon Hobby; “Team Losi LST Super Truck—Drive Train Assy” exploded view; Horizon Hobby, Inc., Champaign, Illinois.  
 HPI Racing, “Savage 21 4WD Giant Monster Truck” p. 56 exploded view; Hobby Products International, Foothill Ranch, California.  
 Tamiya, “Terra Crusher Parts Breakdown—Front End”; Tamiya America, Inc., Aliso Viejo, California.  
 Tamiya, “Wild Willy 2 Parts Breakdown”; 1999, Tamiya America, Inc., Aliso Viejo, California.  
 Tamiya, “Wild Willy”; Tamiya America, Inc., Aliso Viejo, California; 1 photograph.  
 Traxxas, “T-Maxx Assemblies—Front Assembly”; Traxxas LP, Plano, Texas.  
 Axial SCX10 II 2000 Jeep Cherokee; <http://www.axialracing.com/products/ax90047>; Aug. 2016.  
 Axial SCX 10 Deadbolt; <http://www.axialracing.com/products/ax90044>; Aug. 2016.  
 Traxxas; Bumper support geometry, body mounts, body mount posts; <https://traxxas.com/products/parts/3619>; Oct. 2016.  
 Sema 2015 Fab Fours; 2 photos.  
 PL6088-00 Front Proline Ridge-Line Bumper (SMAL), Earliest Available Date May 2, 2019 [Online], [Site Visited Oct. 20, 2020] Available From Internet, URL: <[https://www.ebay.com/itm/PL6088-00-Front-PROLINE-RIDGE-LINE-BUMPER-SMAL-SET-VOOR-NARROW-ROCK-CRAWLING-/153425968229?\\_trksid=p2385738.m4383.14275.c10](https://www.ebay.com/itm/PL6088-00-Front-PROLINE-RIDGE-LINE-BUMPER-SMAL-SET-VOOR-NARROW-ROCK-CRAWLING-/153425968229?_trksid=p2385738.m4383.14275.c10)> (Year: 2019).  
 Traxxas TRX-4 Winch Front Bumper, Earliest Available Date May 22, 2019 [Online], [Site Visited Oct. 20, 2020] Available From Internet, URL: <[https://www.amainhobbies.com/traxxas-trx-4-winch-front-bumper-tra8124/p779826?gclid=EA1alQobChMI0aymroXE7AIVD02GCh0ntA-WEAQYBSABEgJI5\\_D\\_BwE](https://www.amainhobbies.com/traxxas-trx-4-winch-front-bumper-tra8124/p779826?gclid=EA1alQobChMI0aymroXE7AIVD02GCh0ntA-WEAQYBSABEgJI5_D_BwE)> (Year: 2019).  
 TF2 Mojave ARB-DELUXE Metal Front Bumper Assembly, Earliest Available Date Oct. 22, 2020 [Online], [Site Visited Oct. 22, 2020] Available From Internet, URL: <<https://www.aliexpress.com/i/4000118857581.html>> (Year: 2020).  
 Traxxas 5834 Front Bumper Mount Front Adapter 2WD Slash 4x4, Earliest Available Date Jul. 15, 2020 [Online], [Site Visited Oct. 22, 2020] Available From Internet, URL: <[https://www.ebay.com/itm/Traxxas-5834-Front-Bumper-Mount-Front-Adapter-2WD-Slash-4x4-/174332832512?\\_trksid=p2385738.m4383.14275.c10](https://www.ebay.com/itm/Traxxas-5834-Front-Bumper-Mount-Front-Adapter-2WD-Slash-4x4-/174332832512?_trksid=p2385738.m4383.14275.c10)> (Year: 2020).

(56)

**References Cited**

## OTHER PUBLICATIONS

Traxxas TRA6736 Bumper, Front/ Bumper Support, Earliest Available Date Oct. 22, 2020 [Online], [Site Visited Oct. 22, 2020] Available From Internet, URL: <<https://amazon.com/Traxxas-TRA6736-Bumper-Front-Support/dp/B07HJF56V1#customerReviews>> (Year: 2020).

Traxxas 8990 Complete Waterproof LED Light Bar Kit, Nov. 14, 2019, amazon.com, Dec. 15, 2021, URL: <https://www.amazon.com/Traxxas-8990-LED-Light-Kit/dp/B07YGR7GLT> (Year: 2019).

Traxxas 7735 X-Maxx Front Bumper, Jan. 5, 2016, amazon.com, Dec. 15, 2021, URL: <https://www.amazon.com/Traxxas-7735-X-Maxx-Front-Bumper/dp/B01A6Z06HU/> (Year: 2016).

Bumper, Rear, Traxxas 9036, available on hobby-time.com, original text Aug. 29, 2020, [site visited Jan. 24, 2022], URL: [https://www.hobby-time.com/index.php?main\\_page=product\\_info&products\\_id=69348](https://www.hobby-time.com/index.php?main_page=product_info&products_id=69348)(Year: 2020).

Traxxas Hoss Rear Bumper, available on hobbytown.com, product added to catalog Feb. 17, 2021, [site visited Jan. 24, 2022], URL: <https://www.hobbytown.com/traxxas-hoss-rear-bumper-tra9036/p1253531> (Year: 2021).

Traxxas 9036 Bumper, available on Amazon.com, [site visited Jan. 24, 2022], URL: <https://www.amazon.com/Traxxas-9036-Bumper-Mount-Support/dp/B08FP5CSYG/> (Year: 2022).

Bumper, rear (#9036), available on traxxas.com, [site visited Jan. 24, 2022], URL: <https://traxxas.com/products/parts/9097> (Year: 2022).

Hoss 4x4 LED Light Kit, available on traxxas.com, [site visited Jan. 24, 2022], URL: <https://traxxas.com/products/parts/9095-hoss-4x4-light-kit> (Year: 2022).

Traxxas 8936 Bumper, available on Amazon.com, [site visited Jan. 24, 2022], URL: <https://www.amazon.com/Traxxas-8936-Bumper-Rear/dp/B081LMYSNT/> (Year: 2022).

RPM Wide Front Bumper Black Rustler, available on amazon.com, date first available Jun. 21, 2007, [site visited Jan. 24, 2022], URL: <https://www.amazon.com/RPM-Bumper-Rustler-Stampede-Bandit/dp/B0006O7RR4/> (Year: 2007).

Axial SCX10 III, available on amainhobbies.com, added to catalog Apr. 8, 2020, [site visited Jan. 24, 2022], URL: <https://www.ainhobbies.com/axial-scx10-iii-crc-jeep-jlu-bumper-set-axi230018/p1204845> (Year: 2020).

Bull Bars. (Design—© Questel) orbit.com. [Online PDF compilation of references] 16 pgs. Print Dates Range Oct. 8, 2019-Apr. 14, 2005 [Retrieved Jun. 4, 2021].

“4 PCS ZD Racing 8481 Front Bumper Set.” Before Jul. 21, 2019. Banggood. [https://www.banggood.com/4PCS-ZD-Racing-8481-Front-Bumper-Set-for-9116-08427-9021-V3-1-or-8-RC-Car-Parts-p-1528272.html?cur\\_warehouse=CN](https://www.banggood.com/4PCS-ZD-Racing-8481-Front-Bumper-Set-for-9116-08427-9021-V3-1-or-8-RC-Car-Parts-p-1528272.html?cur_warehouse=CN) (Year: 2019).

Onorato, Paul. “3 Must-See Pro-Line Traxxas Slash Builds that Anyone Can Do!” Apr. 29, 2019. RC Driver. <https://www.rcdriver.com/3-must-see-pro-line-traxxas-slash-builds-that-anyone-can-do/> (Year: 2019).

“Traxxas Trx4 Aluminum Front Bumper (GPM Racing Product) Adding Extra Weight to the Front-RC Overdose.” Jan. 31, 2018. YouTube. [https://www.youtube.com/watch?v=\\_wui5f\\_k1eY](https://www.youtube.com/watch?v=_wui5f_k1eY) (Year: 2018).

\* cited by examiner

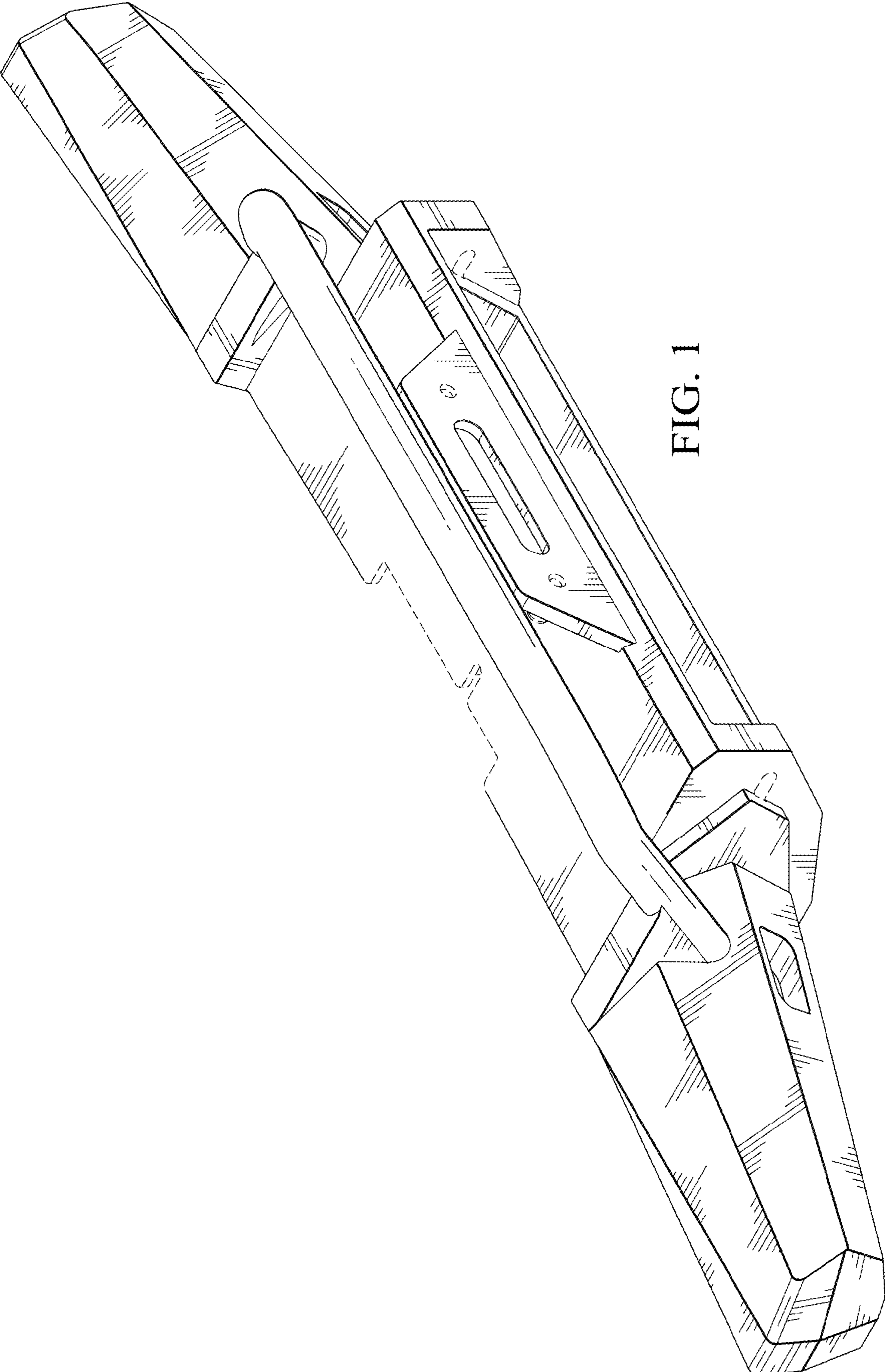


FIG. 1

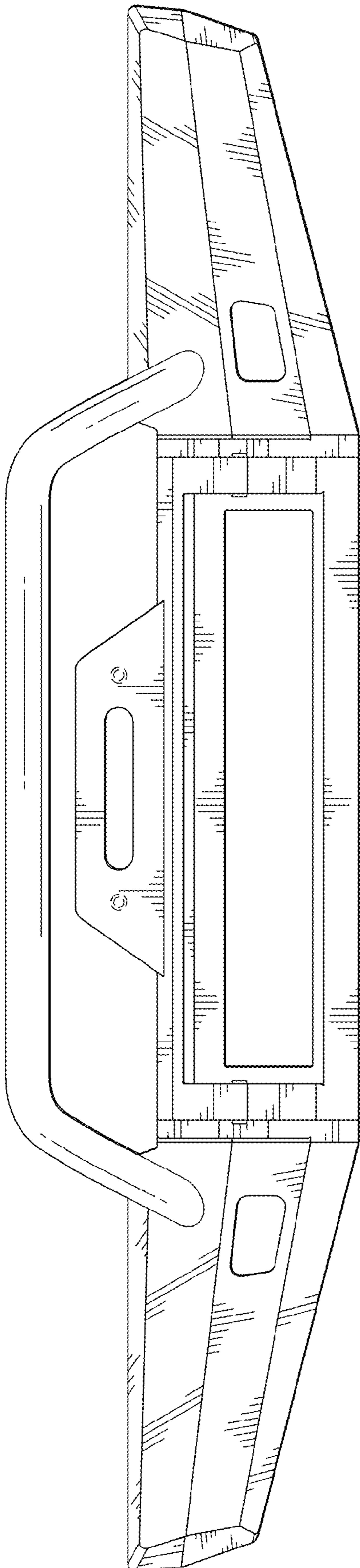


FIG. 2

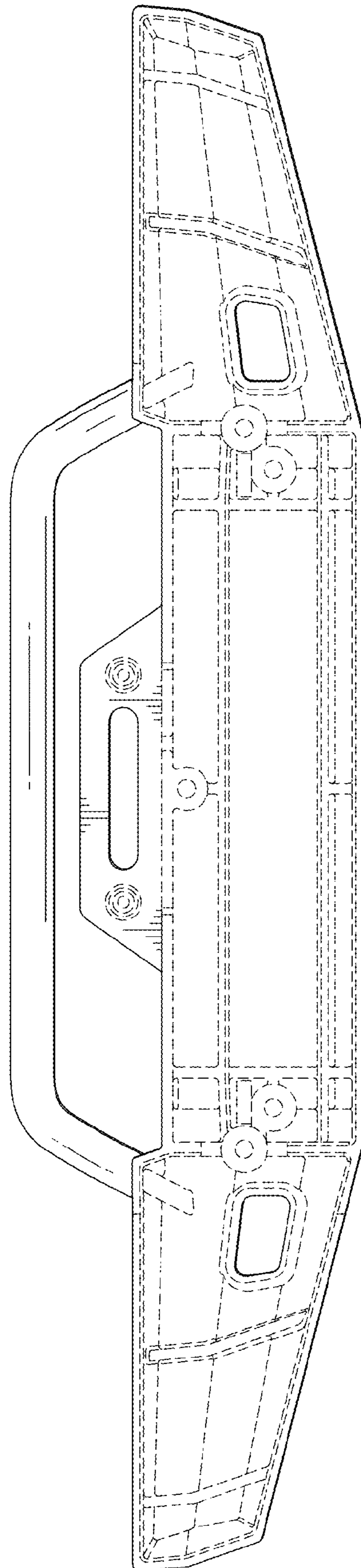


FIG. 3

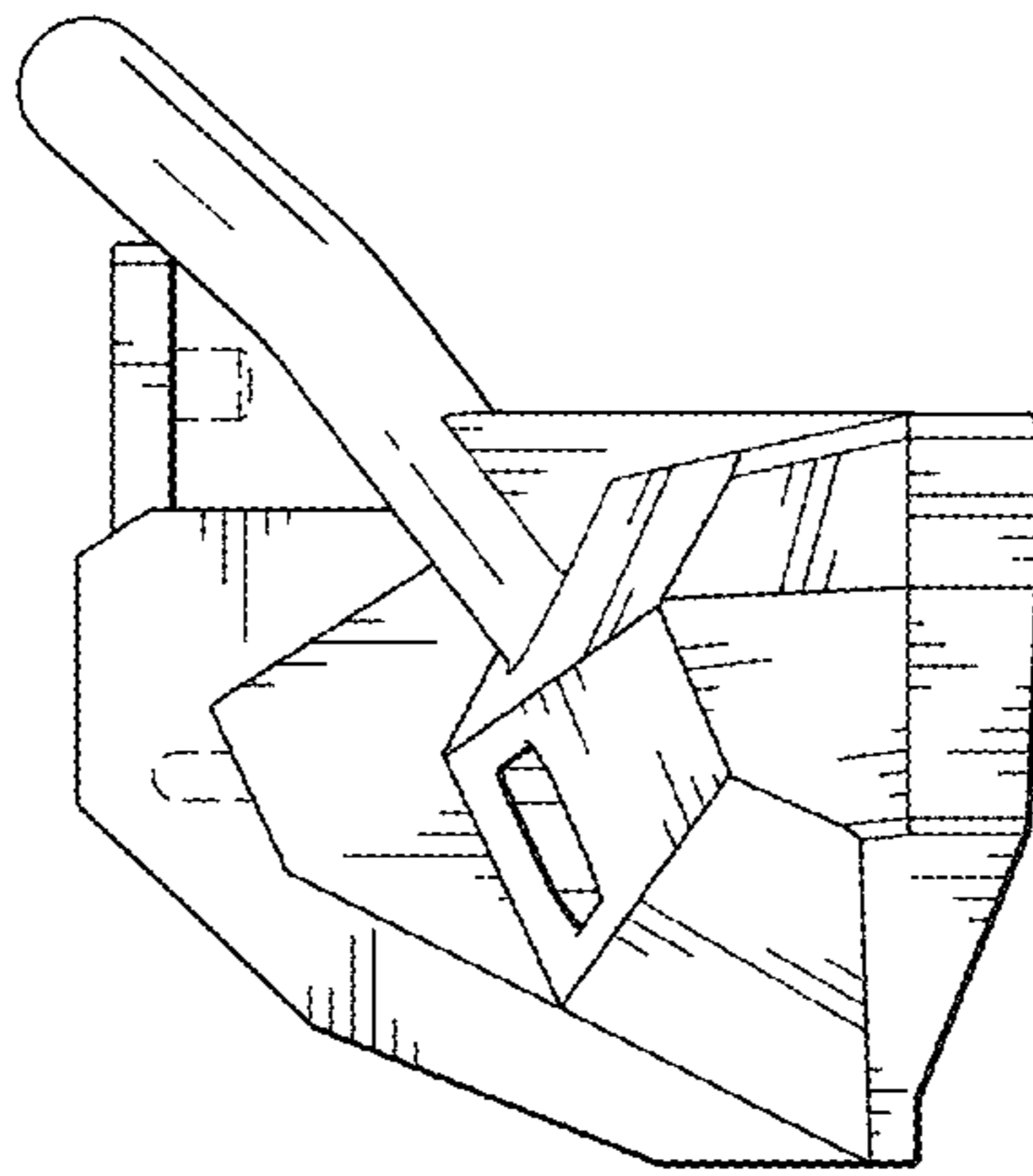


FIG. 4

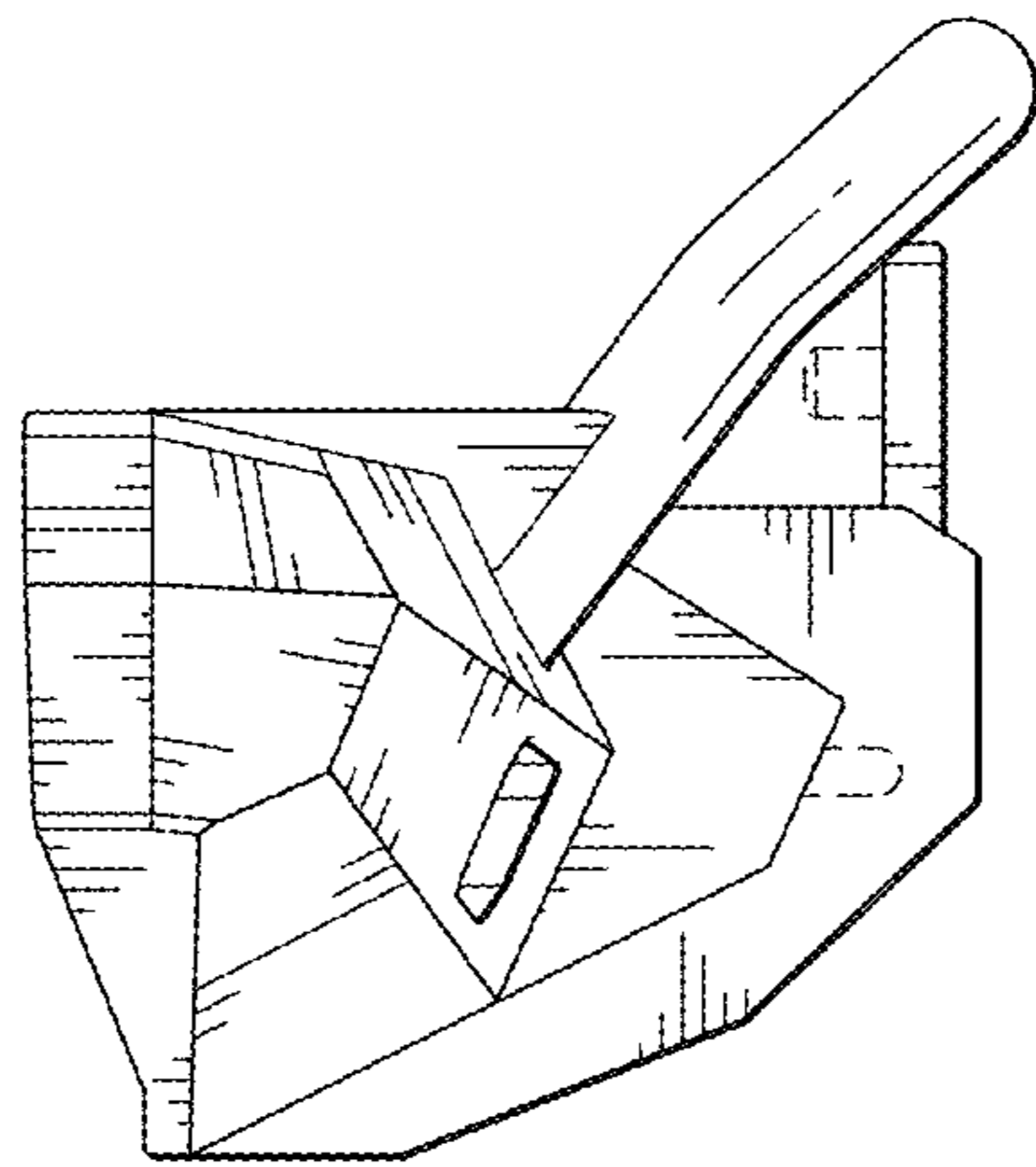


FIG. 5

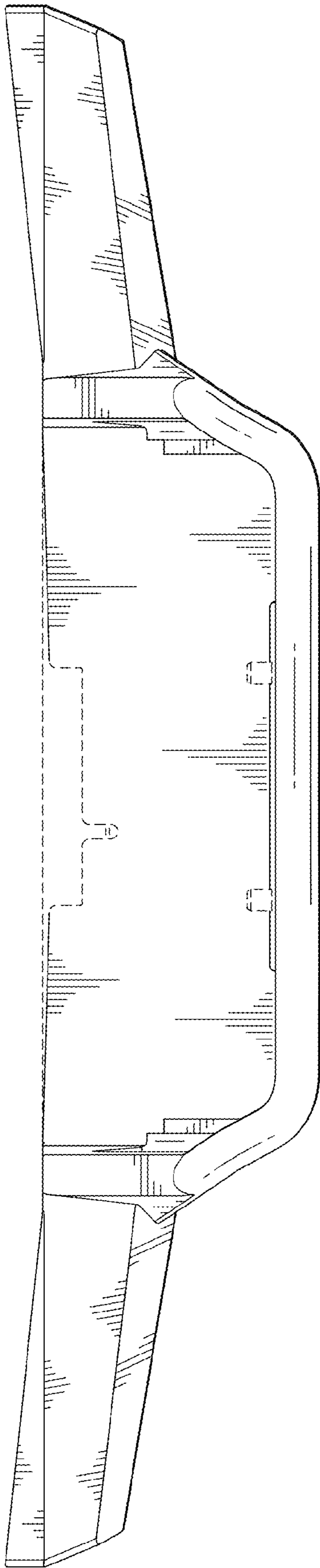


FIG. 6

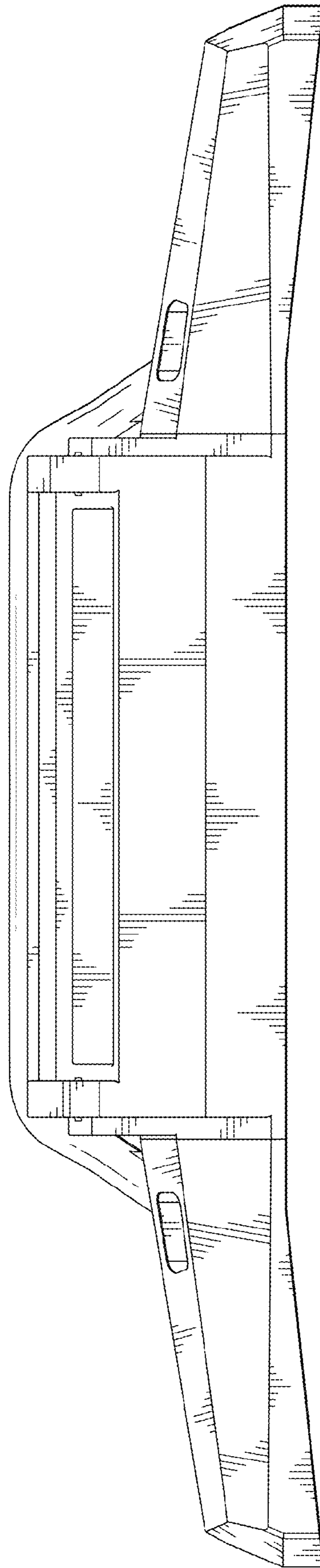


FIG. 7



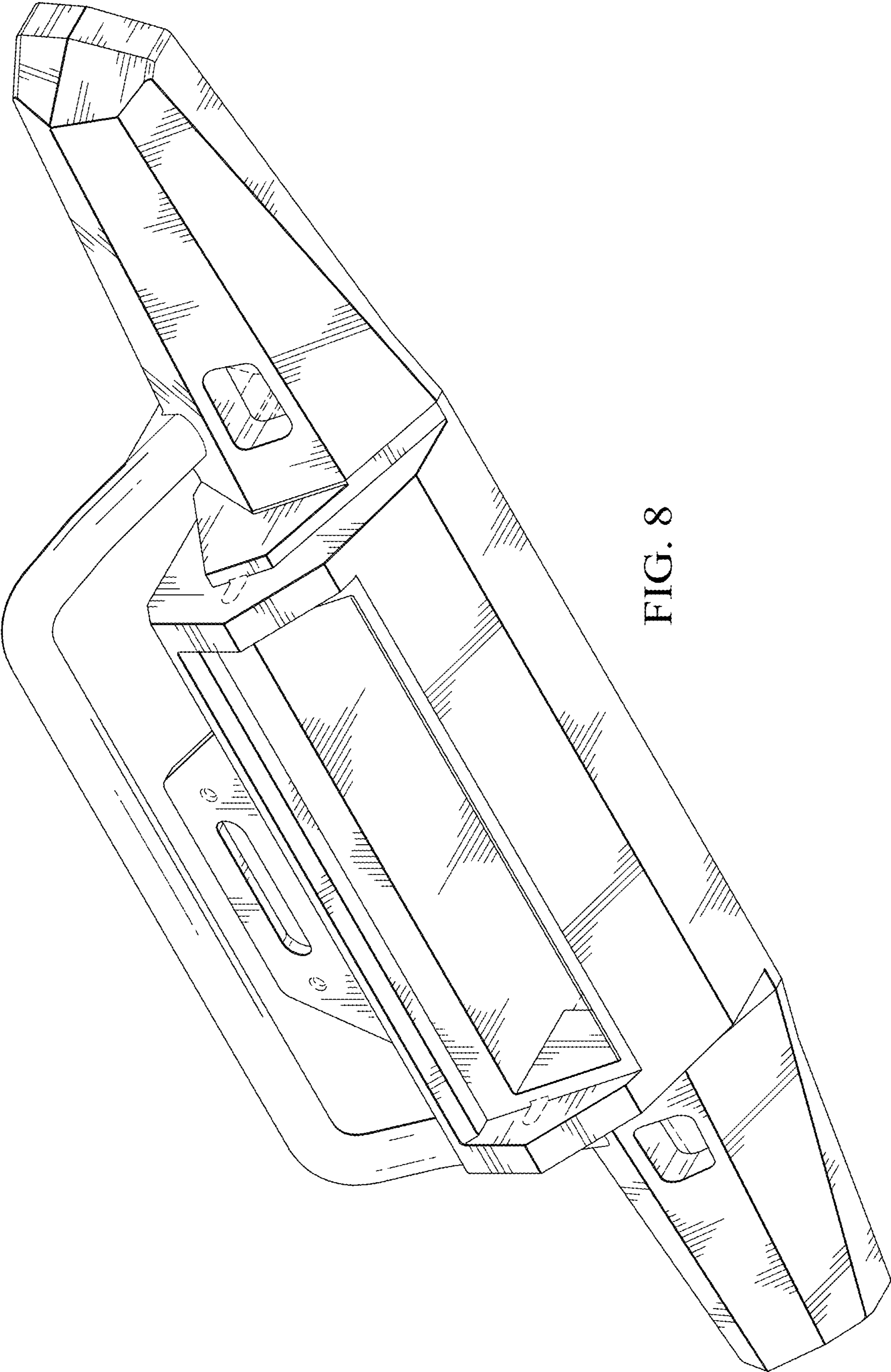


FIG. 8