



US00D956143S

(12) **United States Design Patent**  
**Xie**

(10) **Patent No.:** **US D956,143 S**

(45) **Date of Patent:** **\*\* Jun. 28, 2022**

(54) **ELECTRIC SCOOTER**

(71) Applicant: **Fuzhou Leisiao Information Technology Co., Ltd., Fuzhou (CN)**

(72) Inventor: **Zhiqiang Xie, Fuzhou (CN)**

(73) Assignee: **Fuzhou Leisiao Information Technology Co., Ltd., Fuzhou (CN)**

(\*\*) Term: **15 Years**

(21) Appl. No.: **29/732,188**

(22) Filed: **Apr. 22, 2020**

(30) **Foreign Application Priority Data**

Nov. 28, 2019 (CN) ..... 201930660177.8

(51) **LOC (13) Cl.** ..... **21-01**

(52) **U.S. Cl.**  
USPC ..... **D21/423**

(58) **Field of Classification Search**  
USPC ..... D21/419, 421, 423, 432, 435, 760, 763,  
D21/771; D12/1, 110

CPC ..... B62K 3/002; B62K 9/00; B62K 2202/00;  
B62K 15/00; B62K 2015/001; B62K  
2015/003; B60Y 2200/126

See application file for complete search history.

(56) **References Cited**

**U.S. PATENT DOCUMENTS**

D654,963 S \* 2/2012 Powers ..... D21/423  
D877,258 S \* 3/2020 Cao ..... D21/423

D889,557 S \* 7/2020 Cao ..... D21/423  
D911,454 S \* 2/2021 Yang ..... D21/423  
D914,103 S \* 3/2021 Cao ..... D21/423  
D918,306 S \* 5/2021 Horne ..... D21/423  
D923,104 S \* 6/2021 Zheng ..... D21/423  
2019/0300093 A1\* 10/2019 Degn ..... B62K 3/002  
2021/0053648 A1\* 2/2021 Cordero ..... B62K 3/002

\* cited by examiner

*Primary Examiner* — Cynthia M. Chin

(74) *Attorney, Agent, or Firm* — Westbridge IP LLC

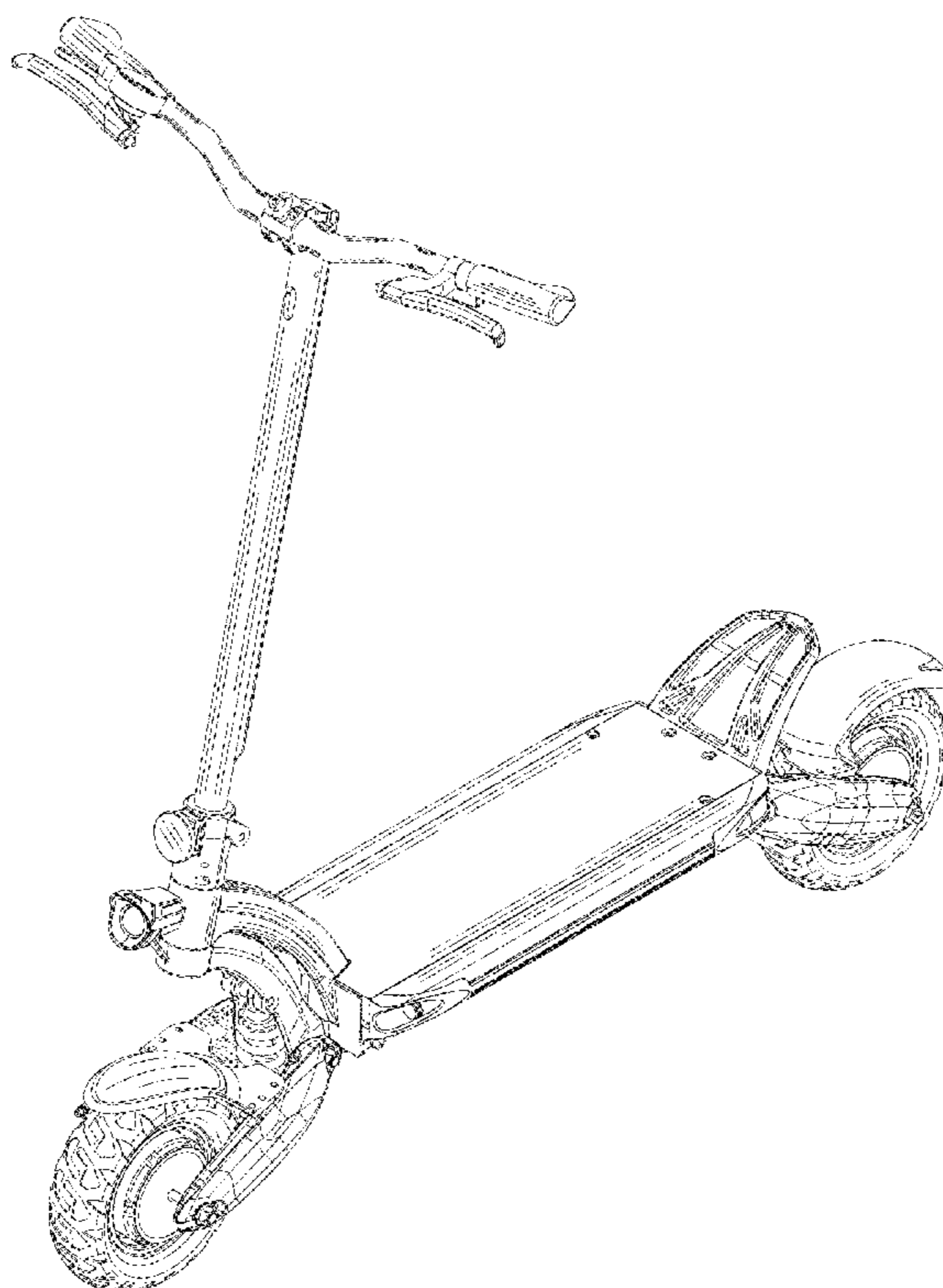
(57) **CLAIM**

The ornamental design for an electric scooter, as shown and described.

**DESCRIPTION**

FIG. 1 is a front perspective view of an electric scooter showing my new design;  
FIG. 2 is a front elevational view thereof;  
FIG. 3 is a rear elevational view thereof;  
FIG. 4 is a left side view thereof;  
FIG. 5 is a right side view thereof; and,  
FIG. 6 is a top plan view thereof.  
The broken lines are shown for the purpose of illustrating portions of the electric scooter and form no part of the claimed design.

**1 Claim, 6 Drawing Sheets**



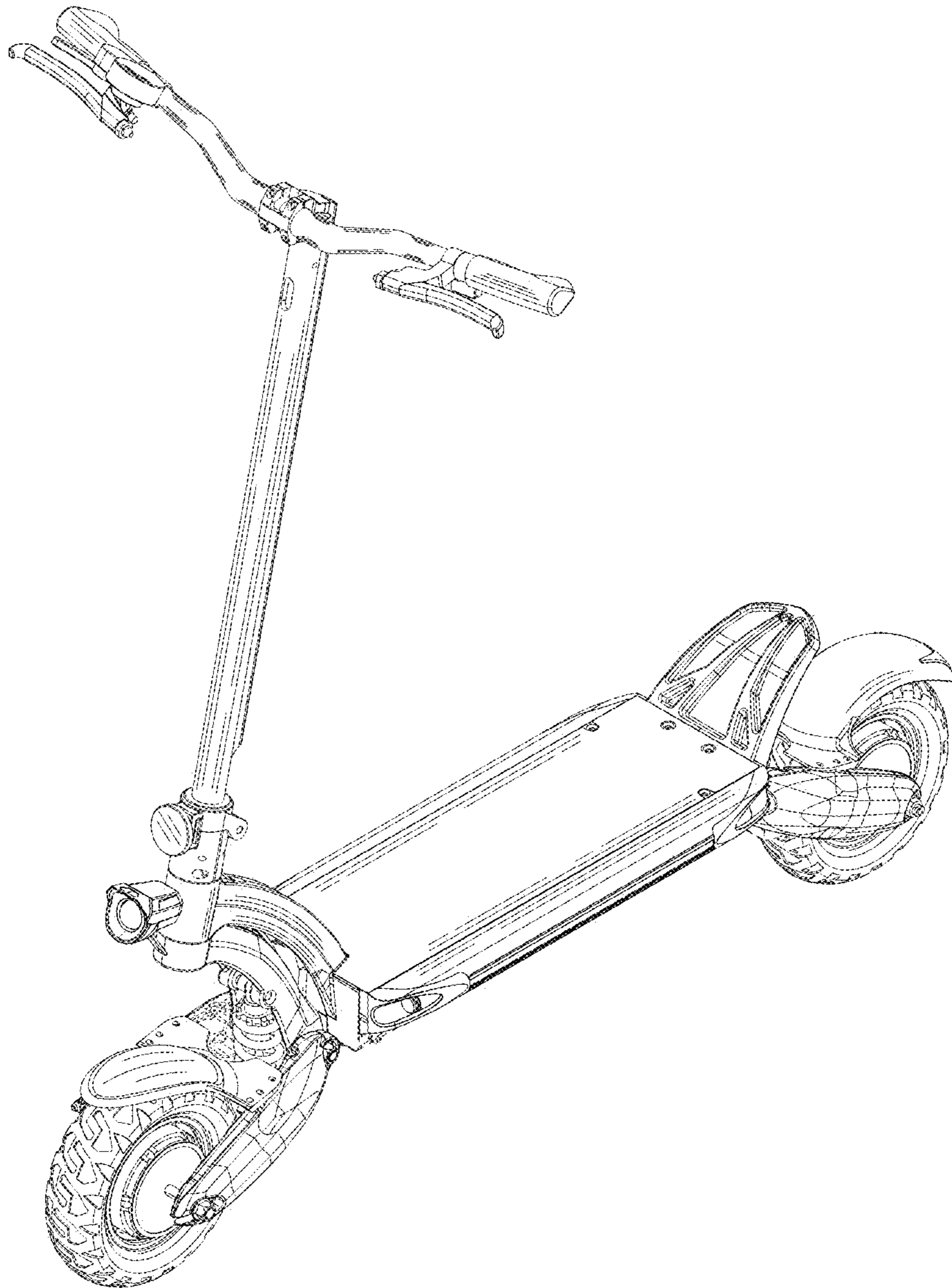


FIG.1

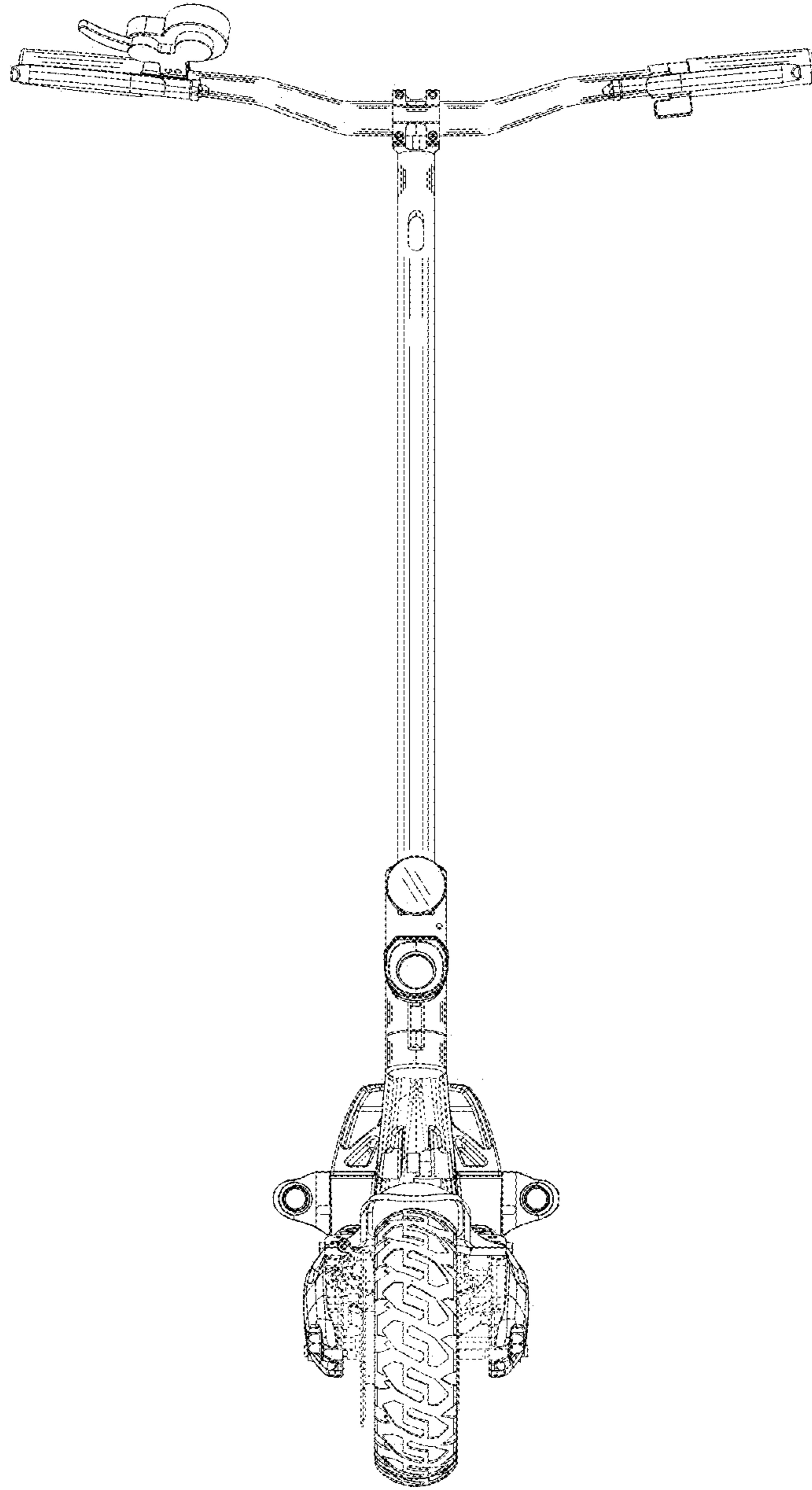


FIG.2

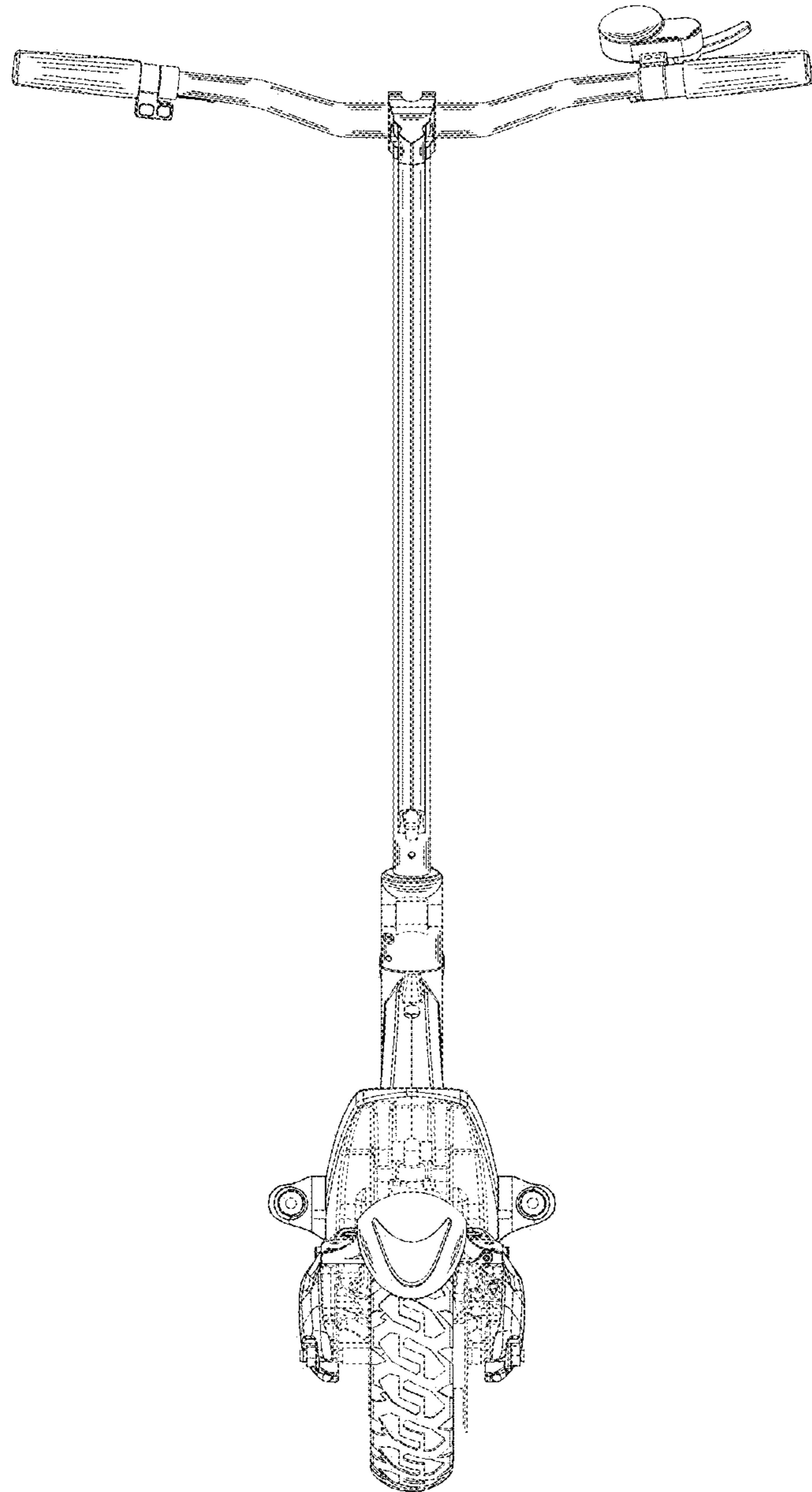


FIG.3

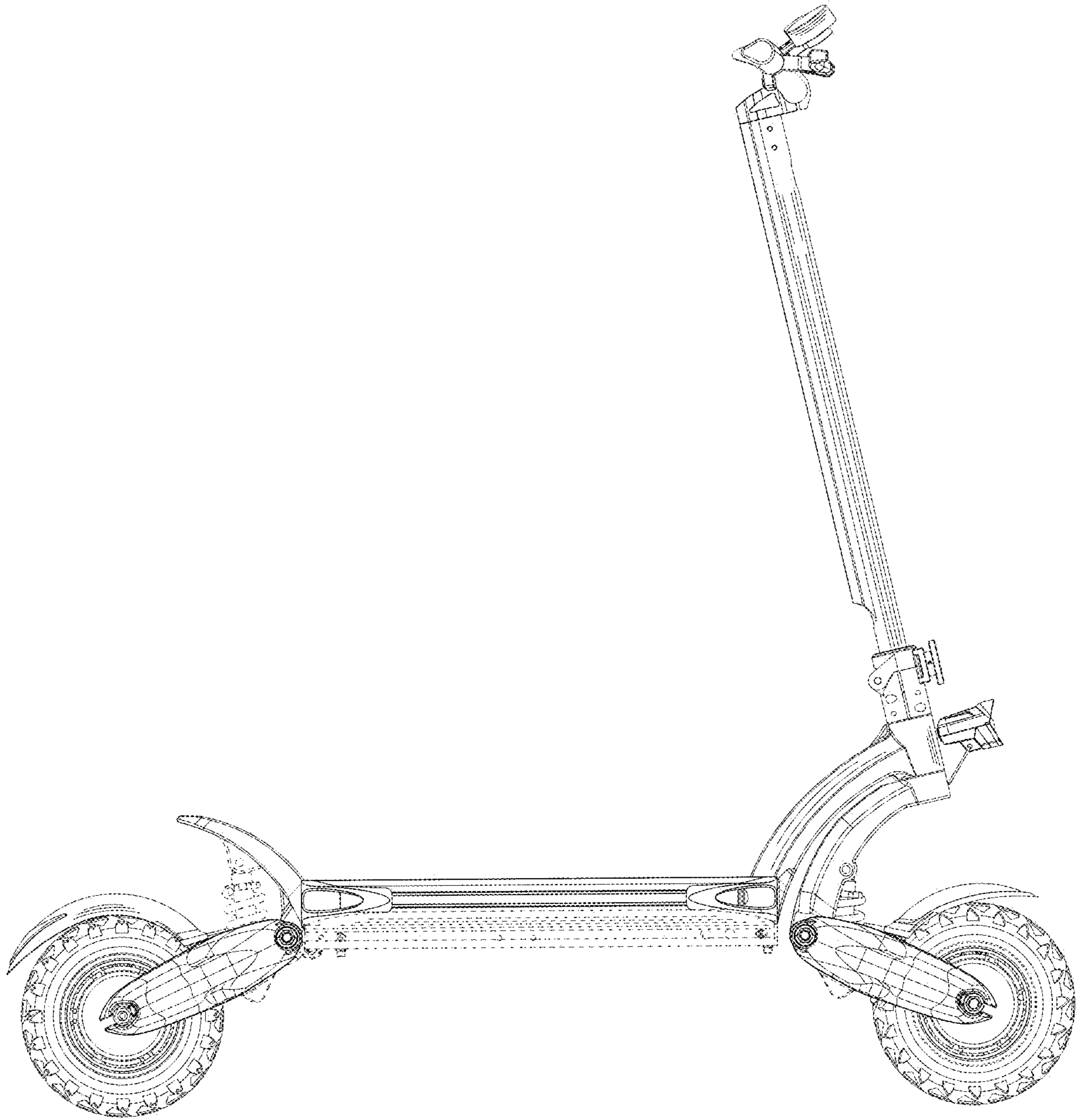


FIG.4

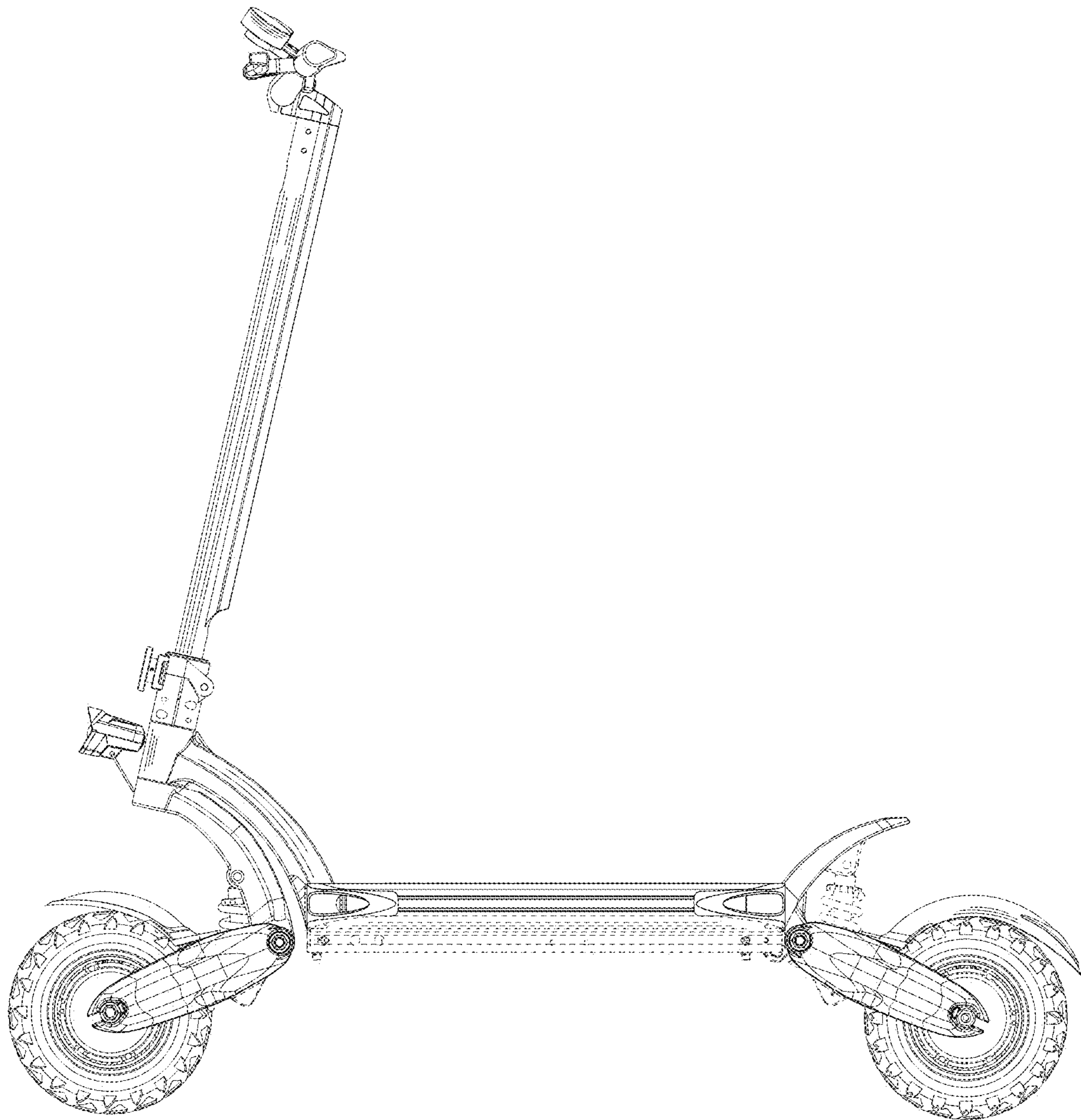


FIG.5

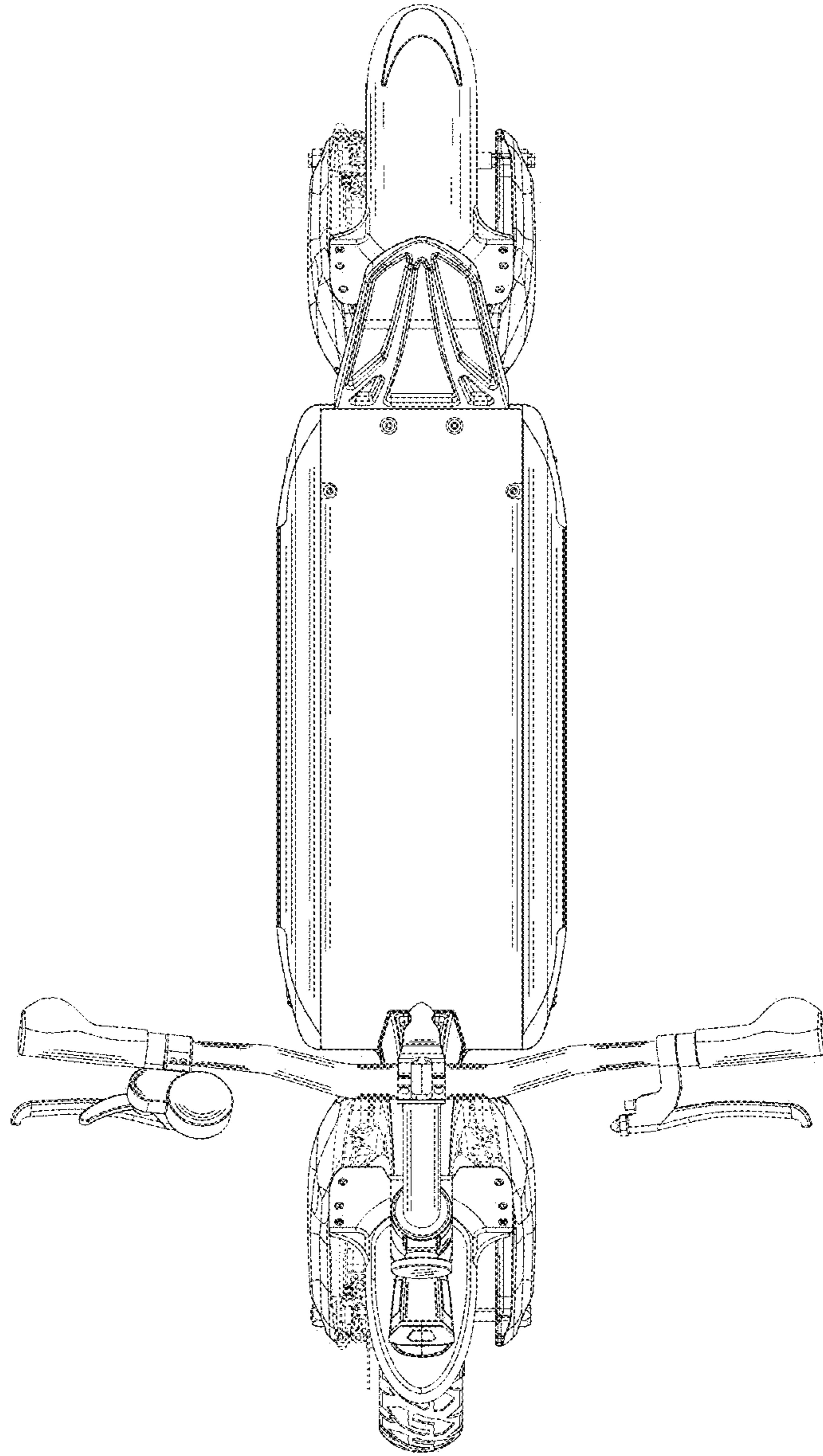


FIG.6