



US00D956138S

(12) **United States Design Patent**  
**Komiya et al.**

(10) **Patent No.:** **US D956,138 S**  
(45) **Date of Patent:** **\*\* Jun. 28, 2022**

(54) **IC CHIP HOLDER FOR TEXTILE PRINTER**

(71) Applicant: **BROTHER INDUSTRIES, LTD.**,  
Nagoya (JP)

(72) Inventors: **Hidekazu Komiya**, Nagoya (JP); **Koji Hayashi**, Nagoya (JP)

(73) Assignee: **BROTHER INDUSTRIES, LTD.**,  
Nagoya (JP)

(\*\*) Term: **15 Years**

(21) Appl. No.: **29/720,700**

(22) Filed: **Jan. 15, 2020**

(30) **Foreign Application Priority Data**

Jul. 30, 2019 (JP) ..... 2019-016949

(51) **LOC (13) Cl.** ..... **18-02**

(52) **U.S. Cl.**  
USPC ..... **D18/56**

(58) **Field of Classification Search**  
USPC ..... D15/138, 135, 122; D18/50, 52, 54, 55,  
D18/56  
CPC ... B65H 1/02; B41J 17/00; B41J 29/08; B41J  
29/02; B41J 2/1752; B41J 2/175; B41J  
15/044; B26D 1/045; B26D 1/065; B41M  
2205/06; B41M 2205/04; B41M 5/035;  
B41M 5/03; B41M 5/0094; B41M 1/26;  
B41M 1/24; H04N 1/00278  
See application file for complete search history.

(56) **References Cited**

**U.S. PATENT DOCUMENTS**

D442,626 S \* 5/2001 Barouh ..... 347/86  
D489,756 S \* 5/2004 Matsumoto ..... D18/56  
D496,685 S \* 9/2004 Lui ..... D18/56  
D501,500 S \* 2/2005 Schultz ..... B26D 7/015  
D18/34.8  
D598,050 S \* 8/2009 Nozawa ..... D18/56

D655,423 S \* 3/2012 Nielsen ..... D24/216  
D682,931 S \* 5/2013 Aoki ..... D18/56  
D726,252 S \* 4/2015 Mizutani ..... D18/56  
D769,966 S \* 10/2016 Mizutani ..... D18/56  
D812,061 S \* 3/2018 MacDonald ..... D14/432  
D812,063 S \* 3/2018 Lane ..... D14/432  
D816,157 S \* 4/2018 Ishizawa ..... D18/56  
D835,108 S \* 12/2018 MacDonald ..... D14/432  
D836,115 S \* 12/2018 Beaupre ..... D14/432

(Continued)

**FOREIGN PATENT DOCUMENTS**

RU 00103783 \* 6/2017

**OTHER PUBLICATIONS**

Chip Holder—2018-p. 1—YouTube 29720700—[https://www.youtube.com/watch?v=V\\_r-IX4kDXs](https://www.youtube.com/watch?v=V_r-IX4kDXs) (Year: 2018).\*

*Primary Examiner* — Jennifer L Rempfer  
*Assistant Examiner* — Danielle Nichole Bowly  
(74) *Attorney, Agent, or Firm* — Oliff PLC

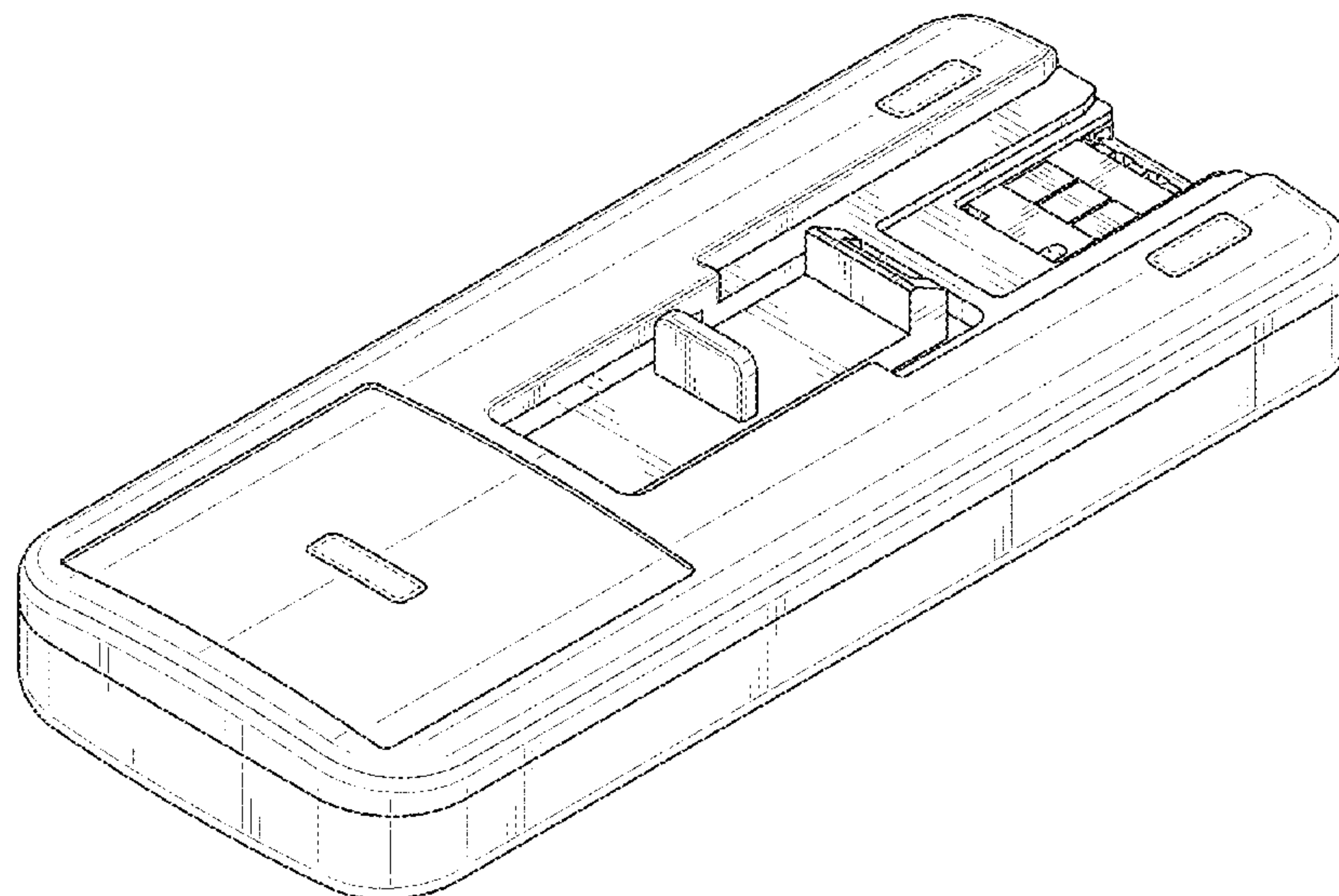
(57) **CLAIM**

The ornamental design for an IC chip holder for textile printer, as shown and described.

**DESCRIPTION**

FIG. 1 is a top perspective view of the IC chip holder for textile printer;  
FIG. 2 is a front elevational view thereof;  
FIG. 3 is a rear elevational view thereof;  
FIG. 4 is a left-side elevational view thereof;  
FIG. 5 is a right-side elevational view thereof;  
FIG. 6 is a top plan view thereof;  
FIG. 7 is a bottom plan view thereof; and,  
FIG. 8 is a bottom perspective view thereof.  
The evenly spaced broken lines depict unclaimed parts of the IC chip holder for textile printer and form no part of the claimed design.

**1 Claim, 6 Drawing Sheets**



(56)

**References Cited**

U.S. PATENT DOCUMENTS

D842,926 S *	3/2019	Takagiwa .....	D18/56
D876,537 S *	2/2020	Lutnesky .....	D18/56
D886,901 S *	6/2020	Hussey .....	D24/216
D888,150 S *	6/2020	Lutnesky .....	D18/56
D916,959 S *	4/2021	Minagawa .....	D18/56
2008/0136878 A1 *	6/2008	Nozawa .....	B41J 2/17509 347/86
2010/0152685 A1 *	6/2010	Goh .....	A61M 1/74 604/319

\* cited by examiner

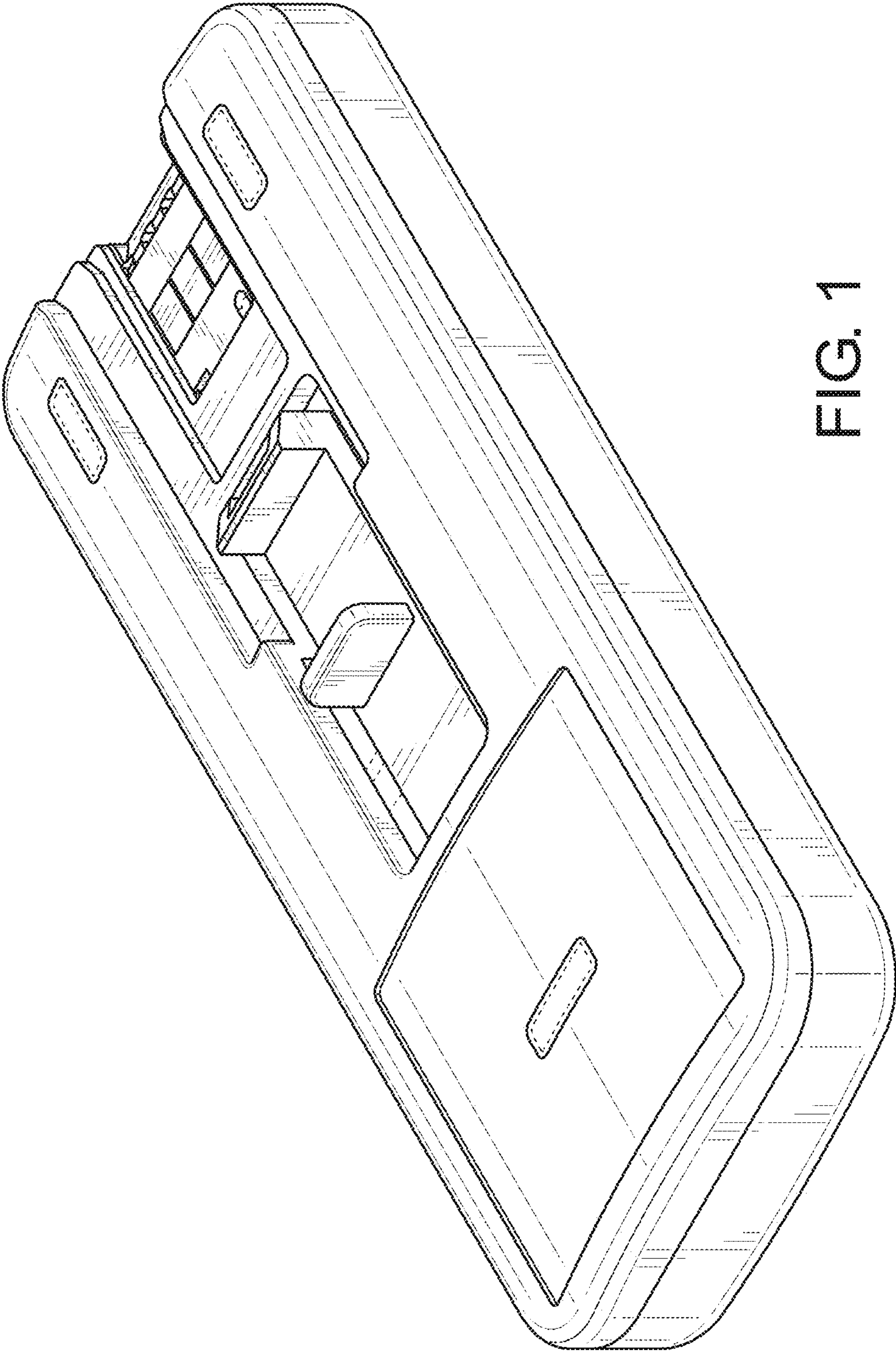


FIG. 1

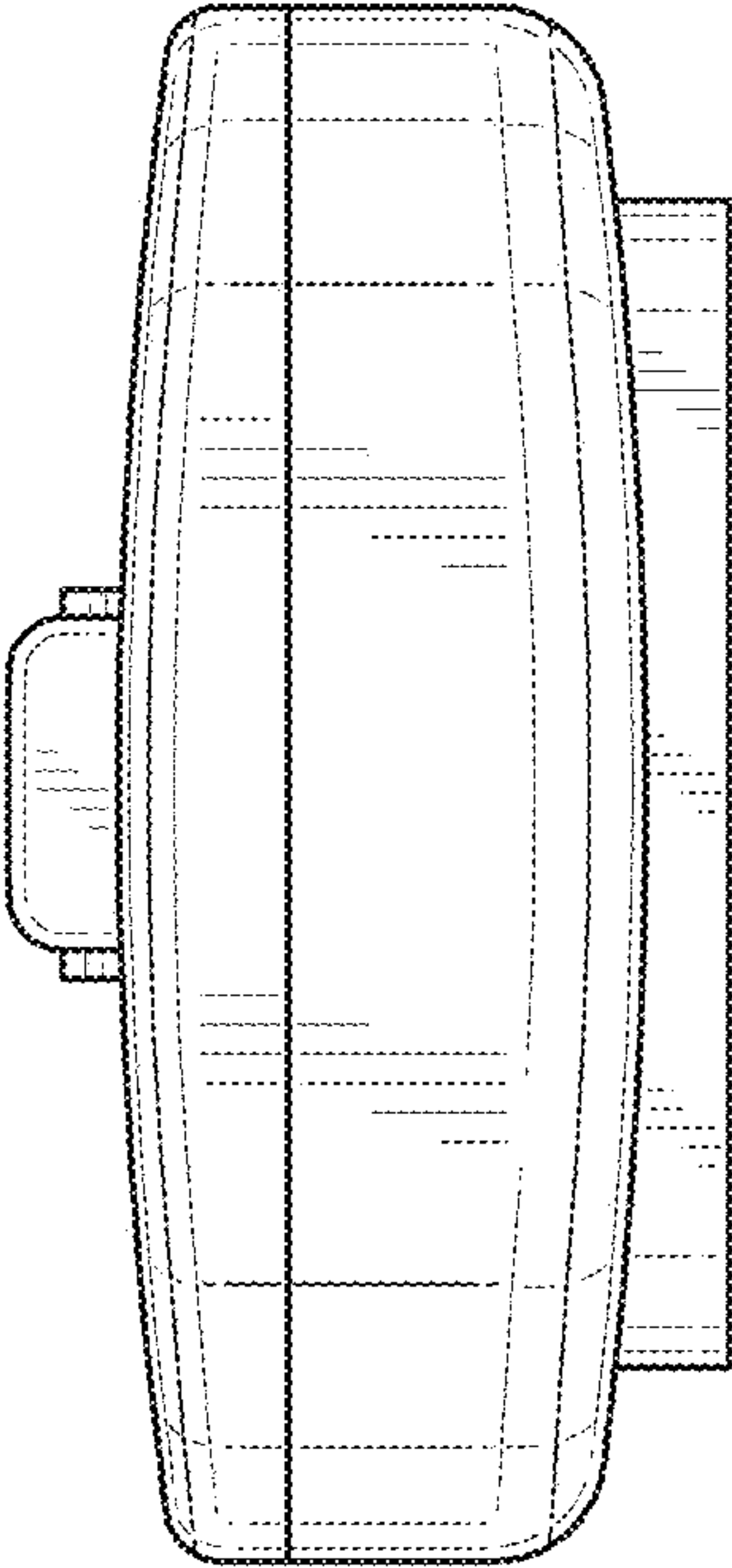


FIG. 2

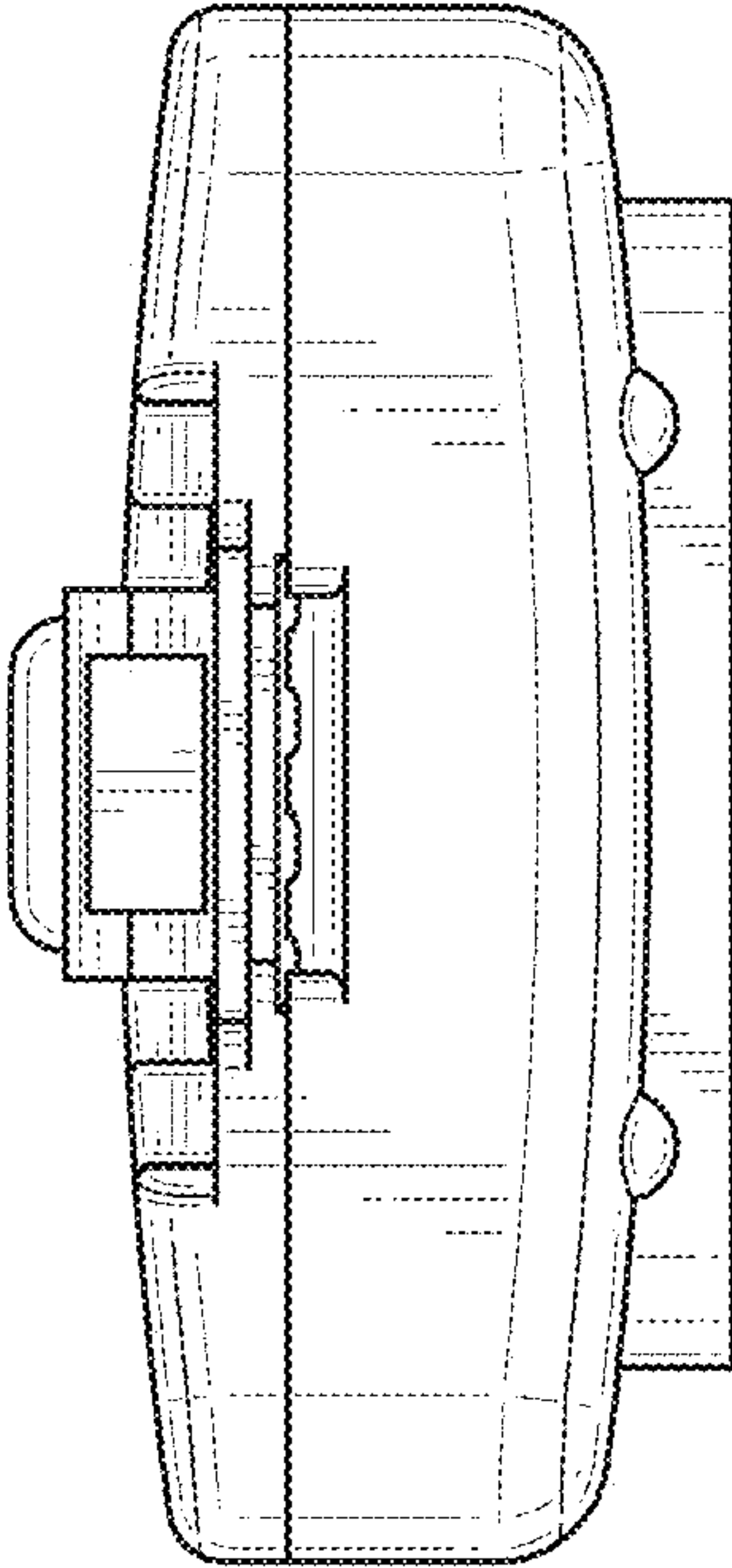


FIG. 3



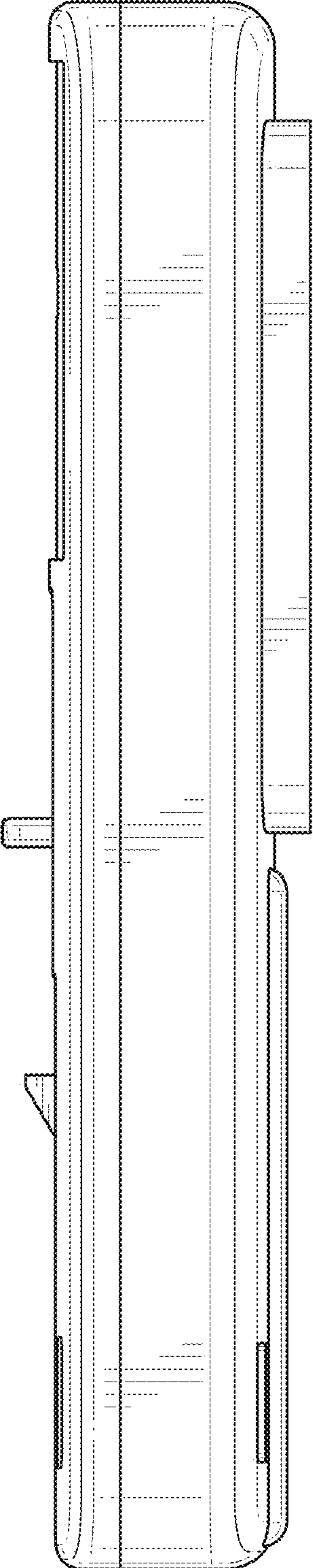


FIG. 4

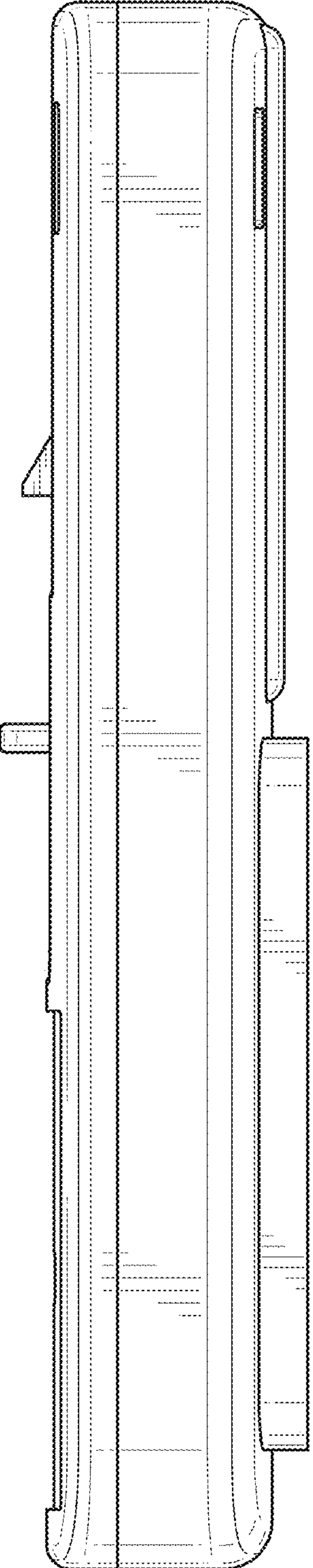


FIG. 5

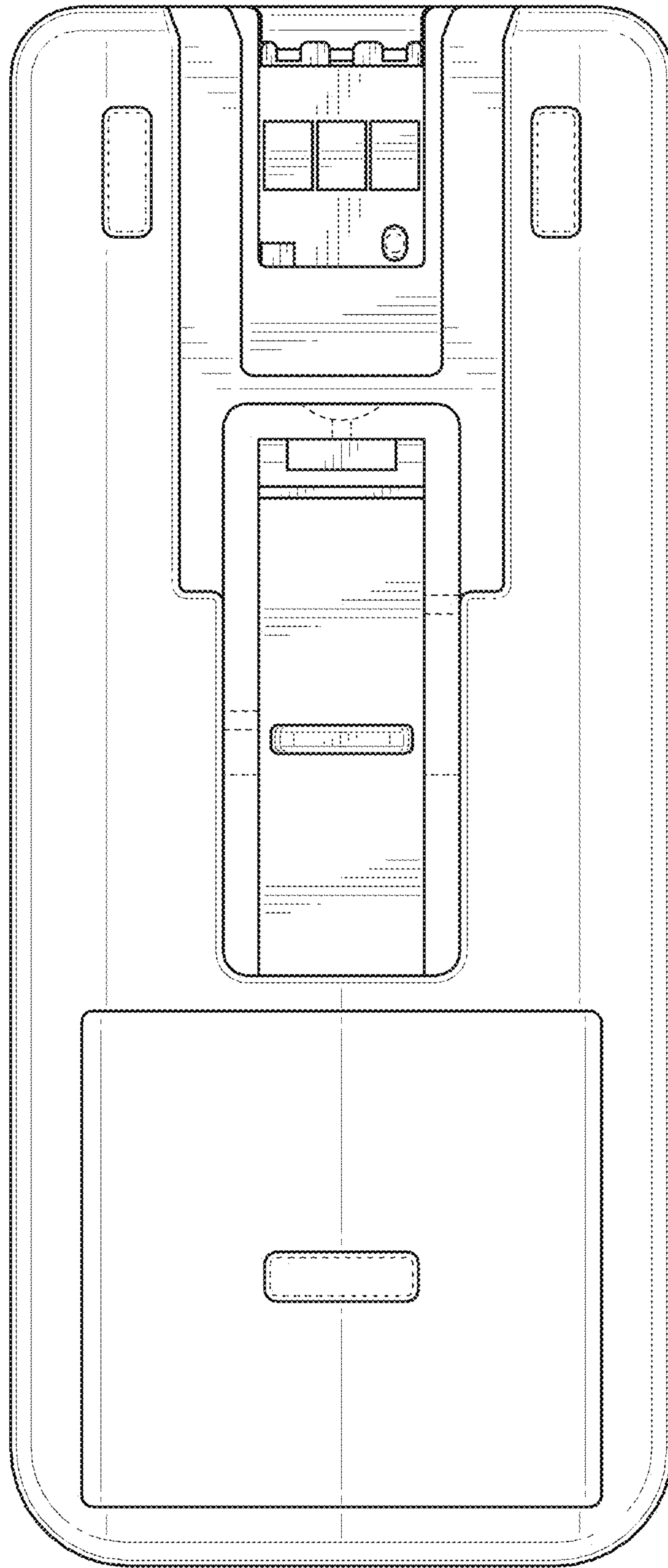


FIG. 6

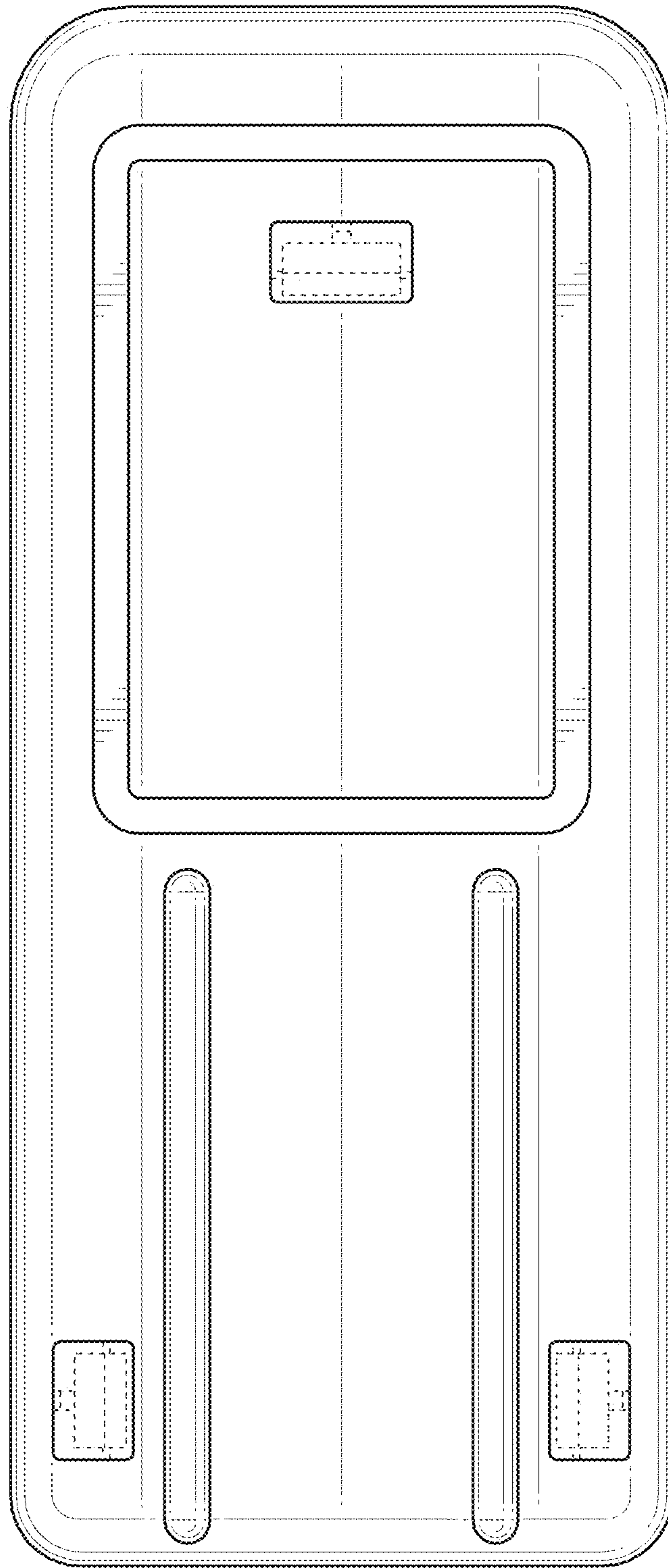


FIG. 7

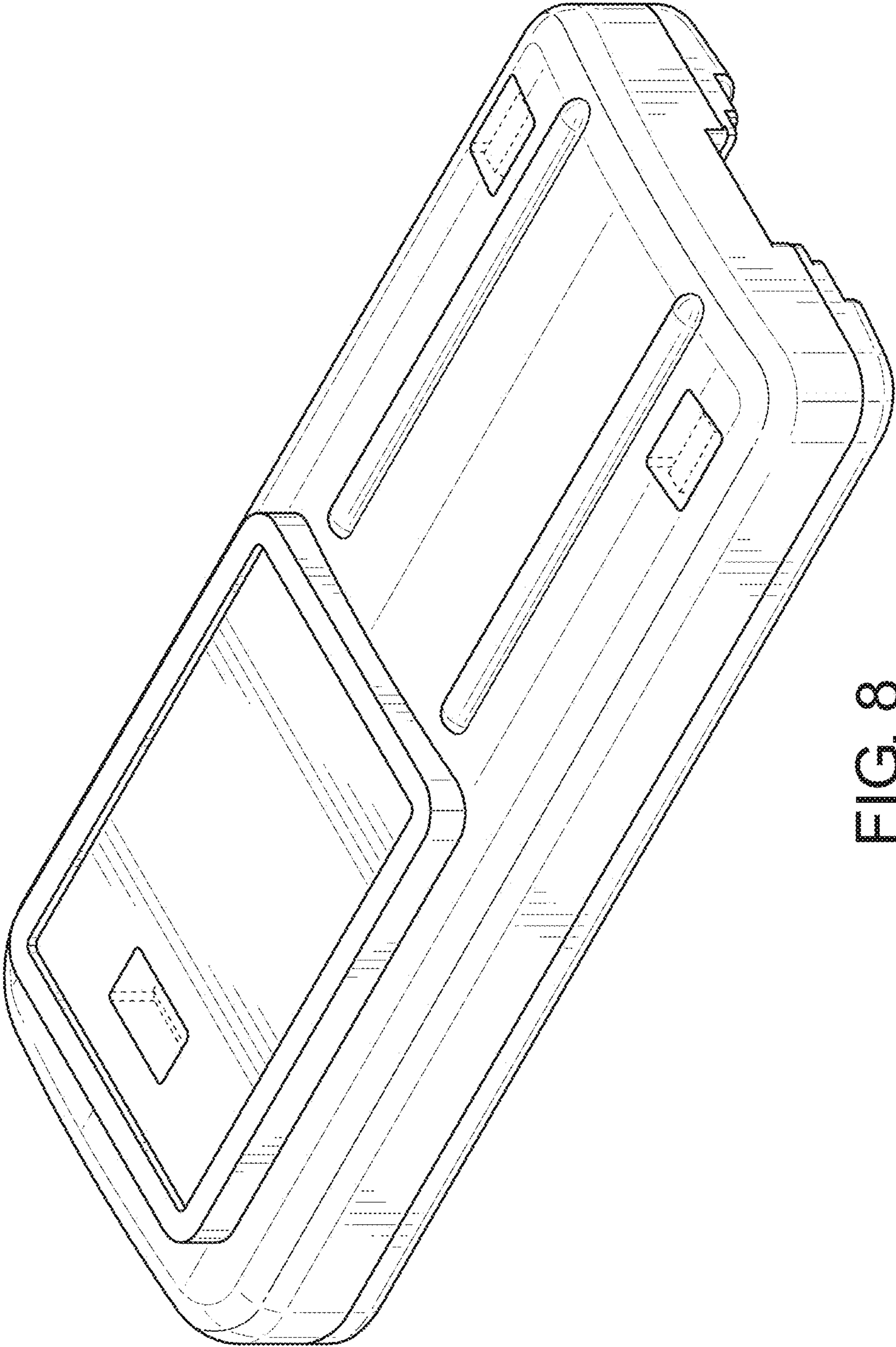


FIG. 8