



US00D956137S

(12) **United States Design Patent** (10) **Patent No.:** **US D956,137 S**  
**Kabumoto et al.** (45) **Date of Patent:** **\*\* Jun. 28, 2022**

(54) **IMAGE FORMING UNIT FOR PRINTER**

(71) Applicant: **Ricoh Company, Ltd.**, Tokyo (JP)

(72) Inventors: **Masaaki Kabumoto**, Ohta-ku (JP);  
**Masateru Kohno**, Ohta-ku (JP);  
**Yoshihisa Minagawa**, Ohta-ku (JP);  
**Masahiro Kurita**, Ohta-ku (JP);  
**Toshihiro Hamamura**, Ohta-ku (JP);  
**Kanako Hirasawa**, Ohta-ku (JP);  
**Shoichi Hibi**, Ohta-ku (JP)

(73) Assignee: **RICOH COMPANY, LTD.**, Tokyo (JP)

(\*\*) Term: **15 Years**

(21) Appl. No.: **29/750,004**

(22) Filed: **Sep. 10, 2020**

(30) **Foreign Application Priority Data**

Mar. 13, 2020 (JP) ..... 2020-005054 D

(51) **LOC (13) Cl.** ..... **18-02**

(52) **U.S. Cl.**  
USPC ..... **D18/50**

(58) **Field of Classification Search**

USPC ... D18/4.1, 4.4, 4.6, 34.1, 6, 7, 14, 19, 34.3,  
D18/34.7, 34.8, 34.9, 36, 37, 38, 39, 46,  
D18/47, 48, 49, 50, 53, 54, 55, 56, 59;  
D14/300, 301, 302, 303, 307, 308, 314,  
D14/321, 365, 445, 446; D6/514, 672  
CPC ..... H04N 1/00278; B26D 1/065; B26D 1/45;  
B41J 15/044; B41J 2/1752; B41J 29/02;  
B41J 29/08; B41J 17/00; B41J 15/42;  
B41J 15/12; B41J 11/58; B41J 3/4075;  
B29C 47/12

See application file for complete search history.

(56) **References Cited**

U.S. PATENT DOCUMENTS

D282,746 S \* 2/1986 Johnson ..... D14/308  
D358,413 S \* 5/1995 Momose ..... D18/36

D387,036 S \* 12/1997 Harden ..... D14/308  
D389,464 S \* 1/1998 Utsuki ..... D14/308  
D621,442 S 8/2010 Kachi  
D671,116 S \* 11/2012 Phillips ..... D14/356  
D673,212 S 12/2012 Okamoto  
D694,818 S 12/2013 Landa  
D742,370 S \* 11/2015 Chen ..... D14/308

(Continued)

**OTHER PUBLICATIONS**

U.S. Office Action dated Feb. 1, 2022 in U.S. Appl. No. 29/750,011,  
19 pages.

*Primary Examiner* — Jennifer L Rempfer  
*Assistant Examiner* — Danielle Nichole Bowly  
(74) *Attorney, Agent, or Firm* — Xsensus LLP

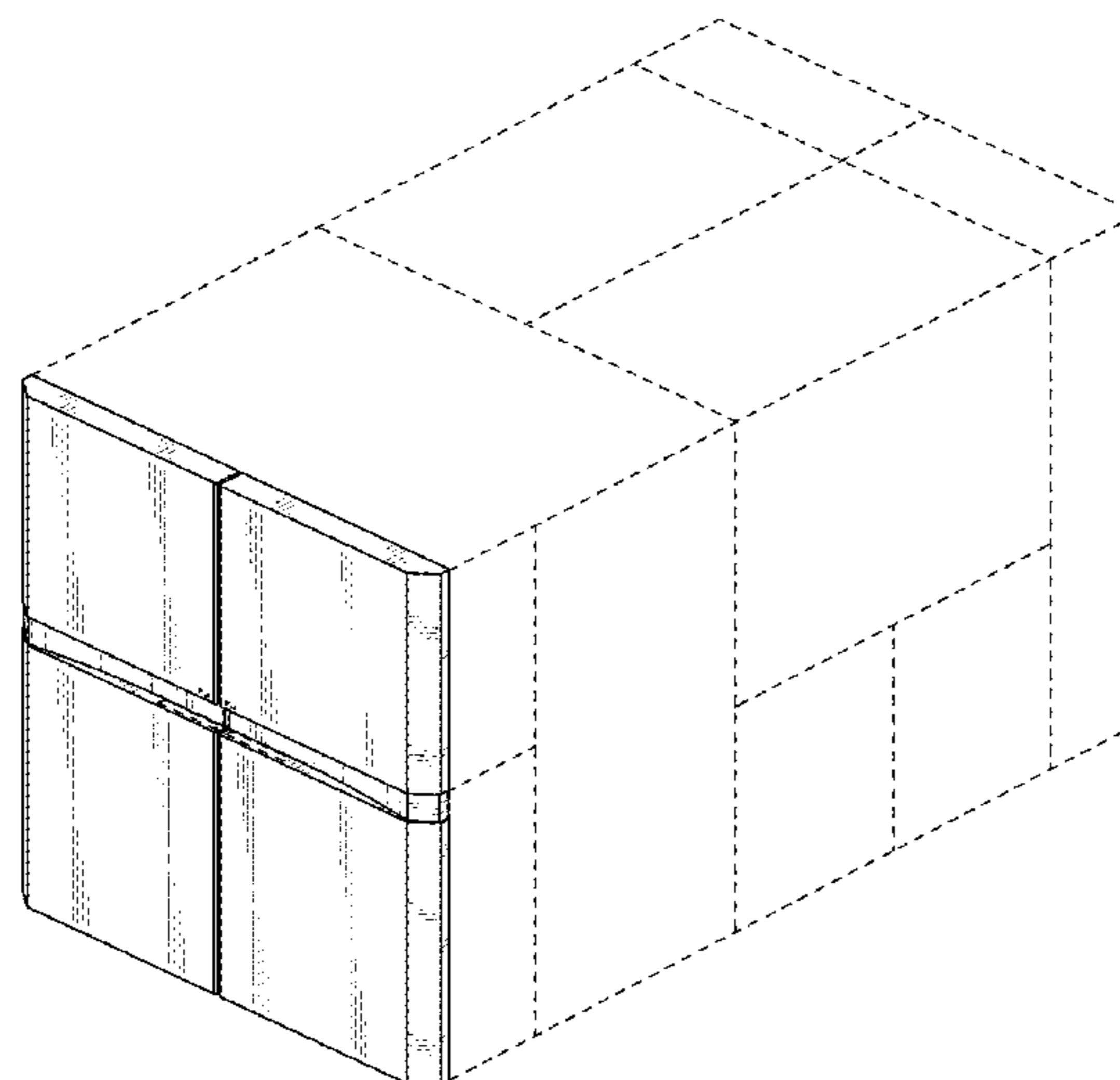
(57) **CLAIM**

The ornamental design for an image forming unit for printer,  
as shown and described.

**DESCRIPTION**

FIG. 1 is a front, top, and right side perspective view of an  
image forming unit for printer showing the new design;  
FIG. 2 is an enlarged front, top, and right side perspective  
view thereof;  
FIG. 3 is a front, bottom, and right side perspective view  
thereof;  
FIG. 4 is an enlarged front, bottom, and right side perspec-  
tive view thereof;  
FIG. 5 is a front elevational view thereof;  
FIG. 6 is a rear elevational view thereof;  
FIG. 7 is a top plan view thereof;  
FIG. 8 is a right side elevational view thereof; and,  
FIG. 9 is a left side elevational view thereof.  
The broken lines shown in the figures are for the purpose of  
illustrating portions of the image forming unit for printer  
that form no part of the claimed design.

**1 Claim, 9 Drawing Sheets**



(56)

**References Cited**

U.S. PATENT DOCUMENTS

D742,451 S	11/2015	Landa	
D750,165 S	2/2016	Landa	
D757,170 S	5/2016	Rafa	
D780,256 S	2/2017	Clark, III	
9,884,501 B2	2/2018	Lowrance	
D823,385 S *	7/2018	Senshiki .....	D18/53
D854,080 S *	7/2019	Senshiki .....	D18/53
D875,827 S *	2/2020	Zanzotti .....	D18/53
D889,536 S	7/2020	GroßMann	
D923,669 S *	6/2021	Tavares Andre .....	E21B 7/024 D15/122
D926,832 S	8/2021	Hou	
D933,111 S *	10/2021	Tsukamoto .....	D15/122

\* cited by examiner

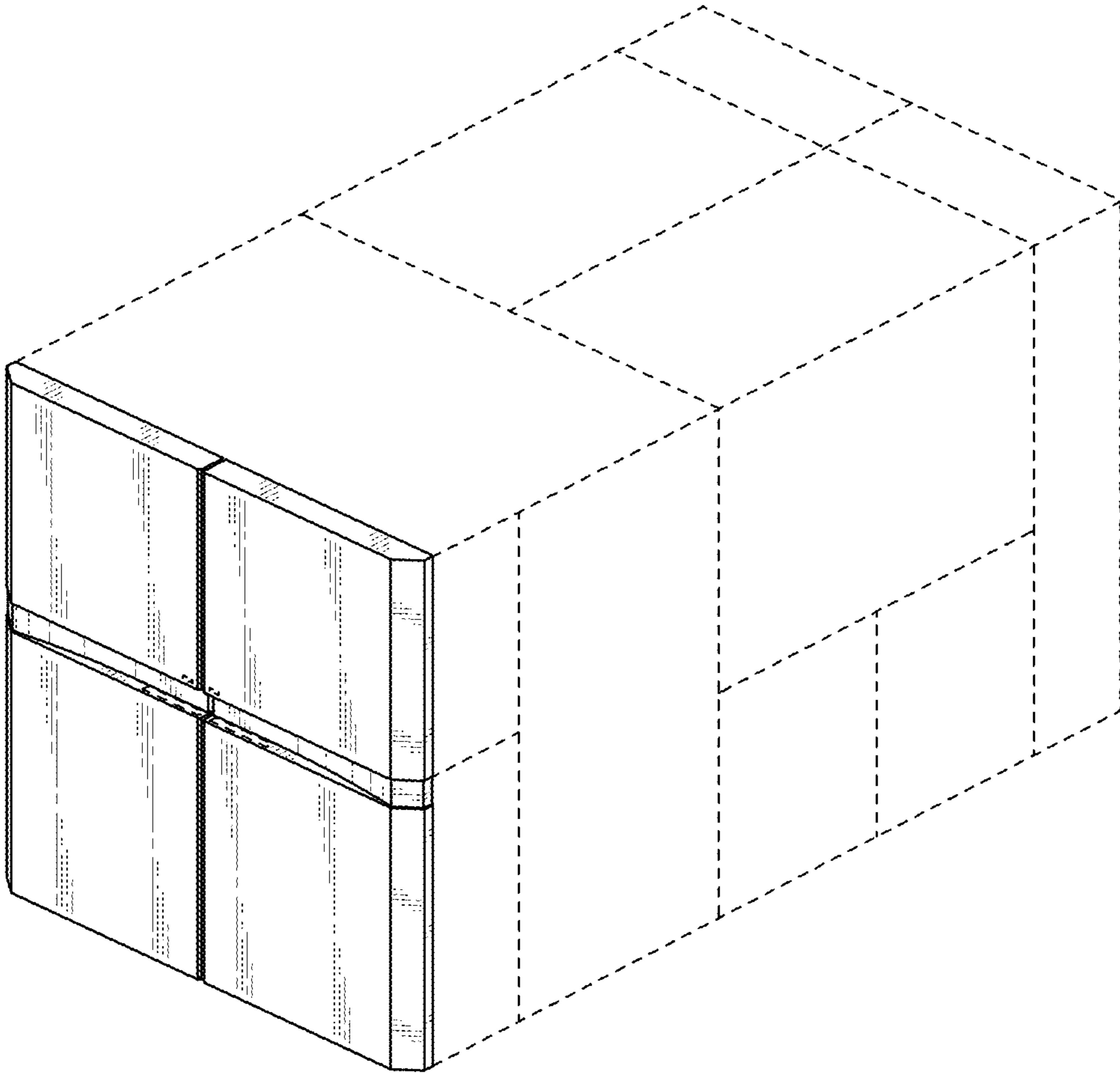


FIG. 1

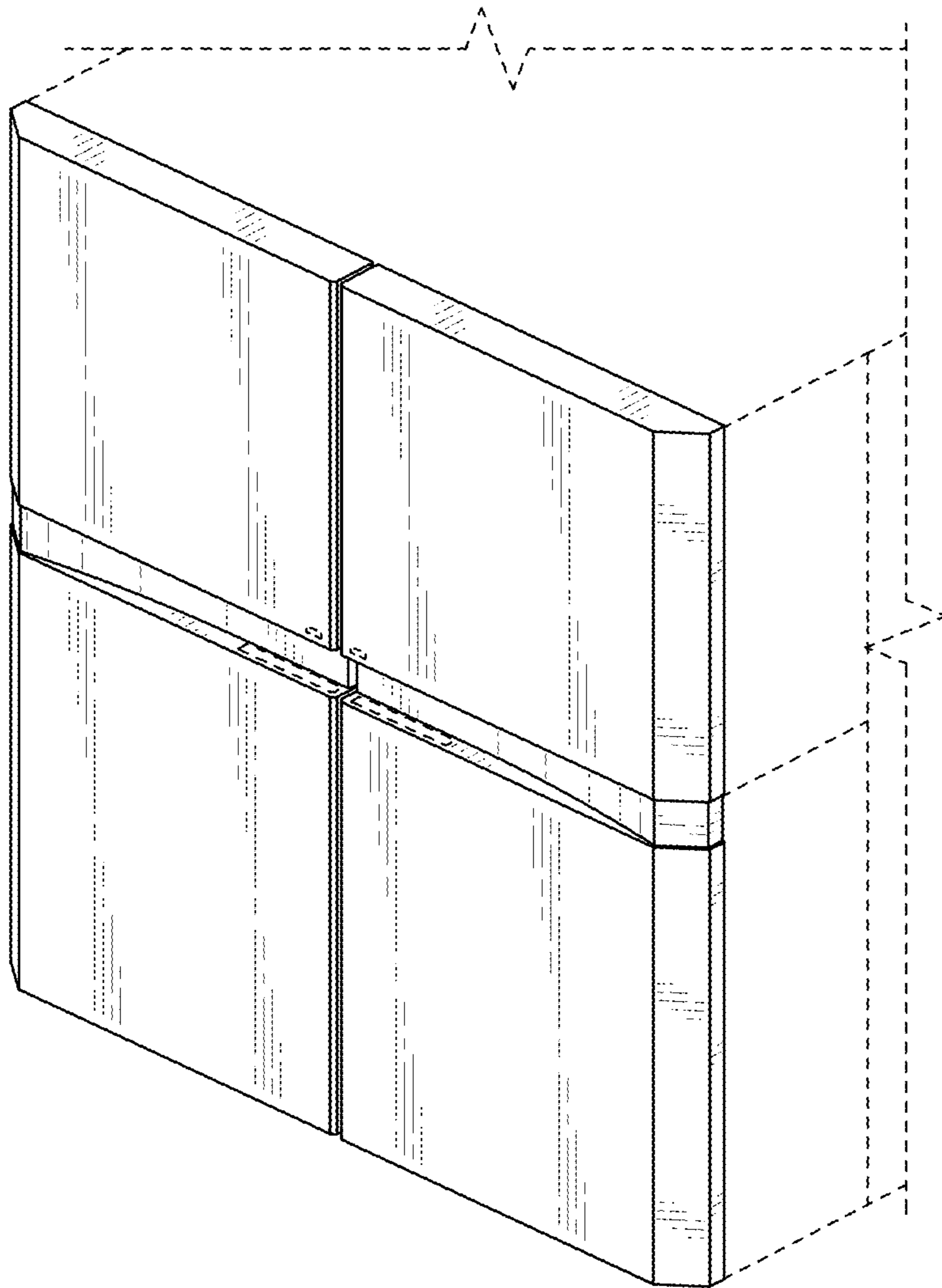


FIG. 2

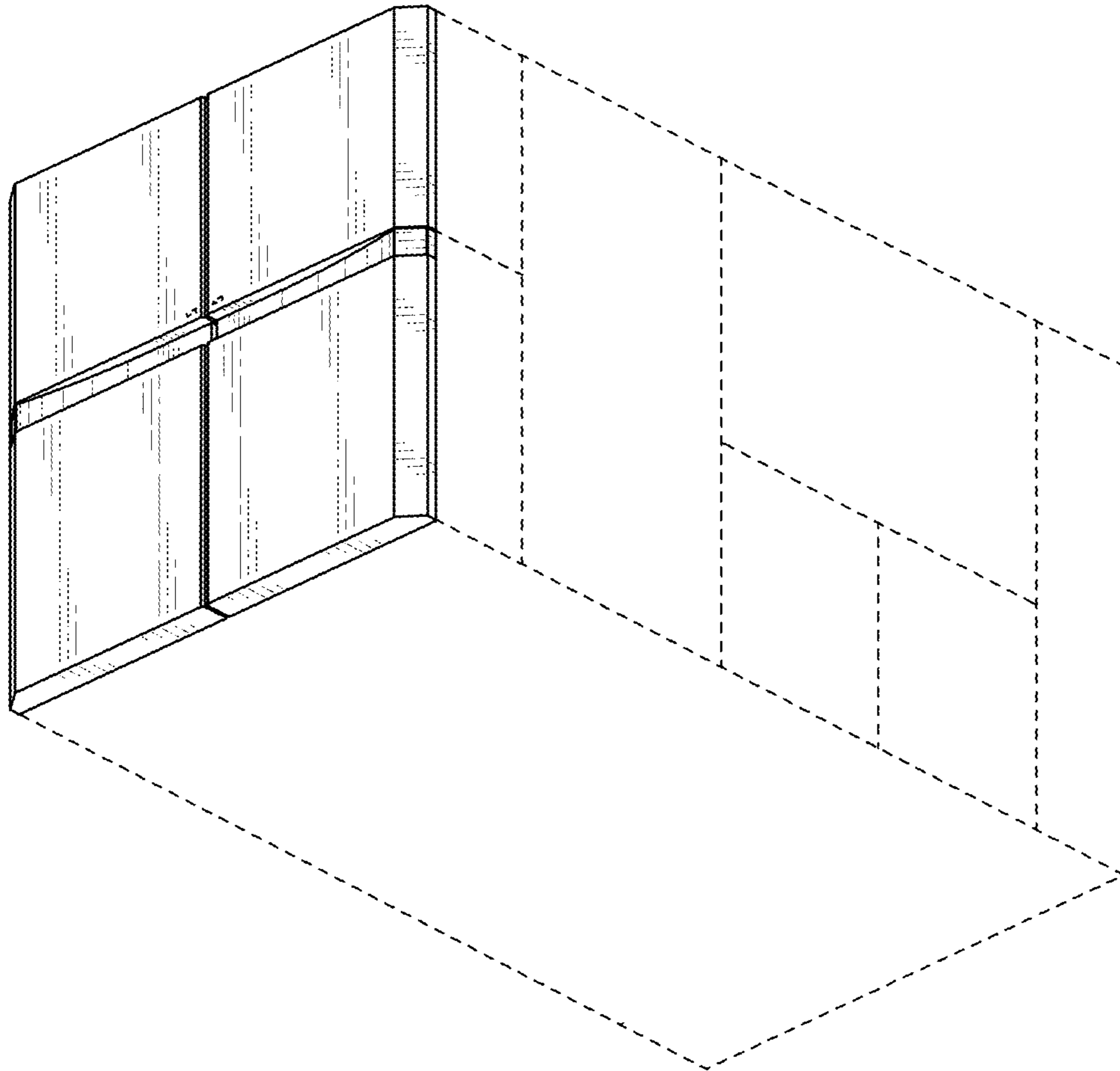


FIG. 3

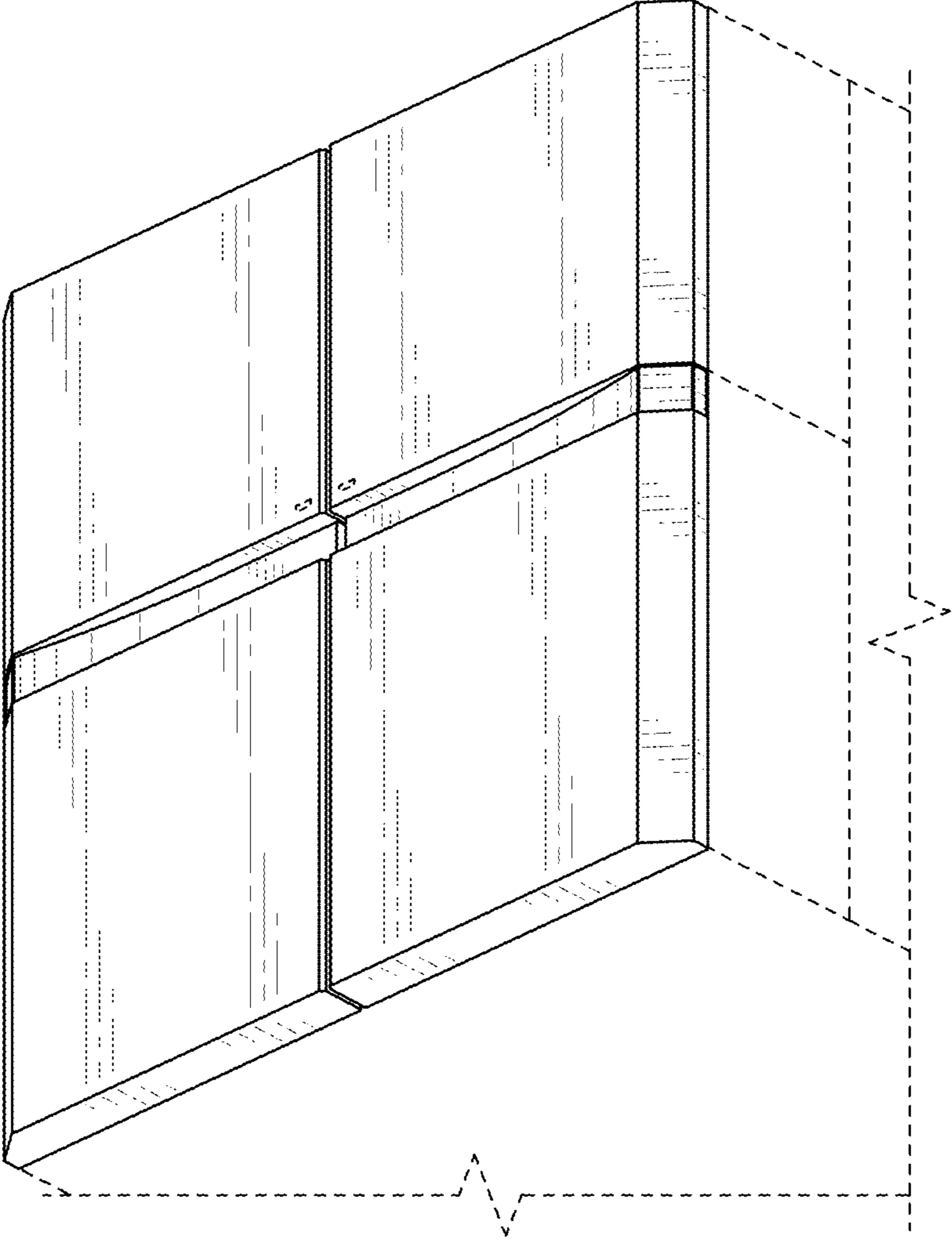


FIG. 4

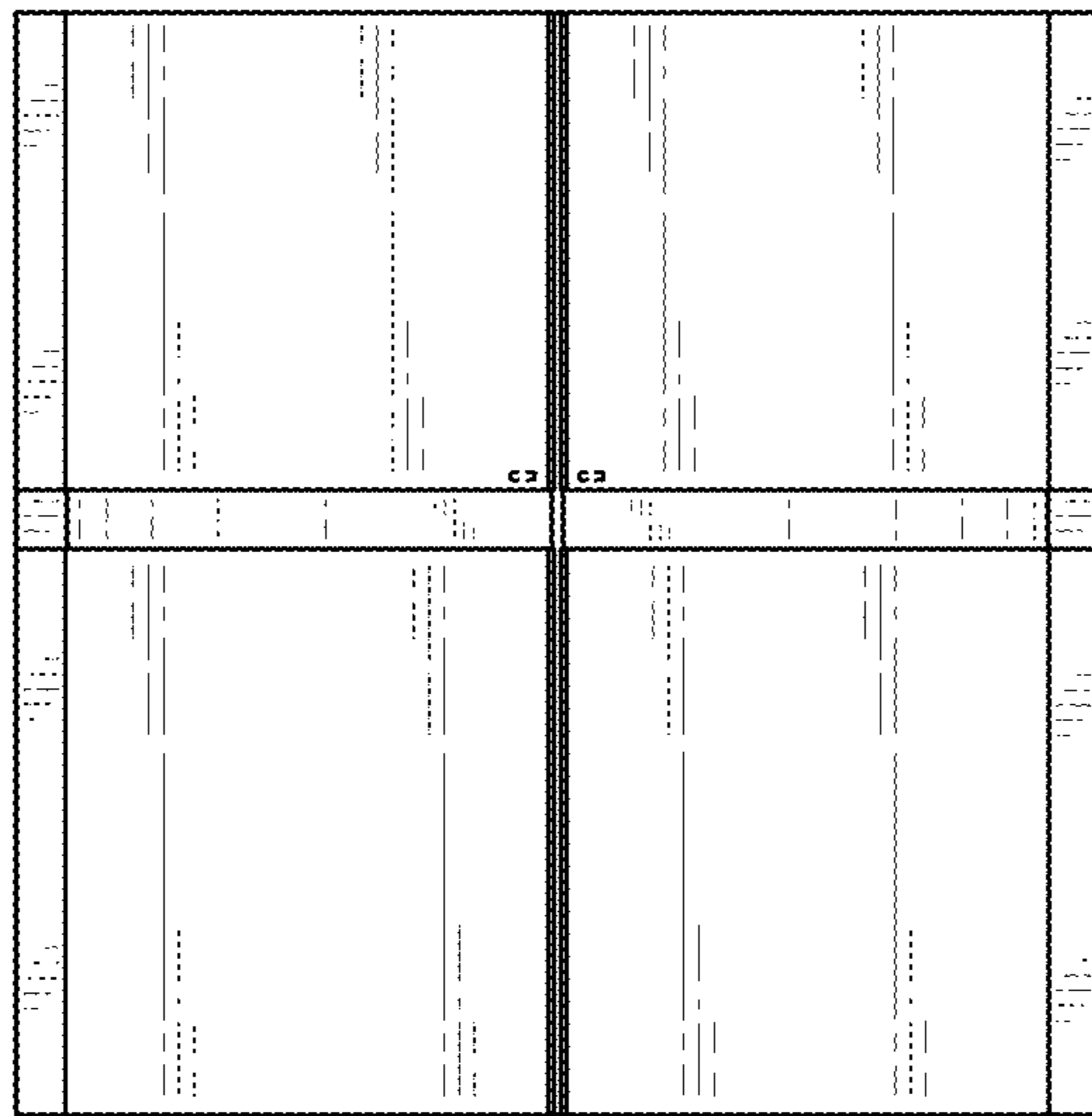


FIG. 5

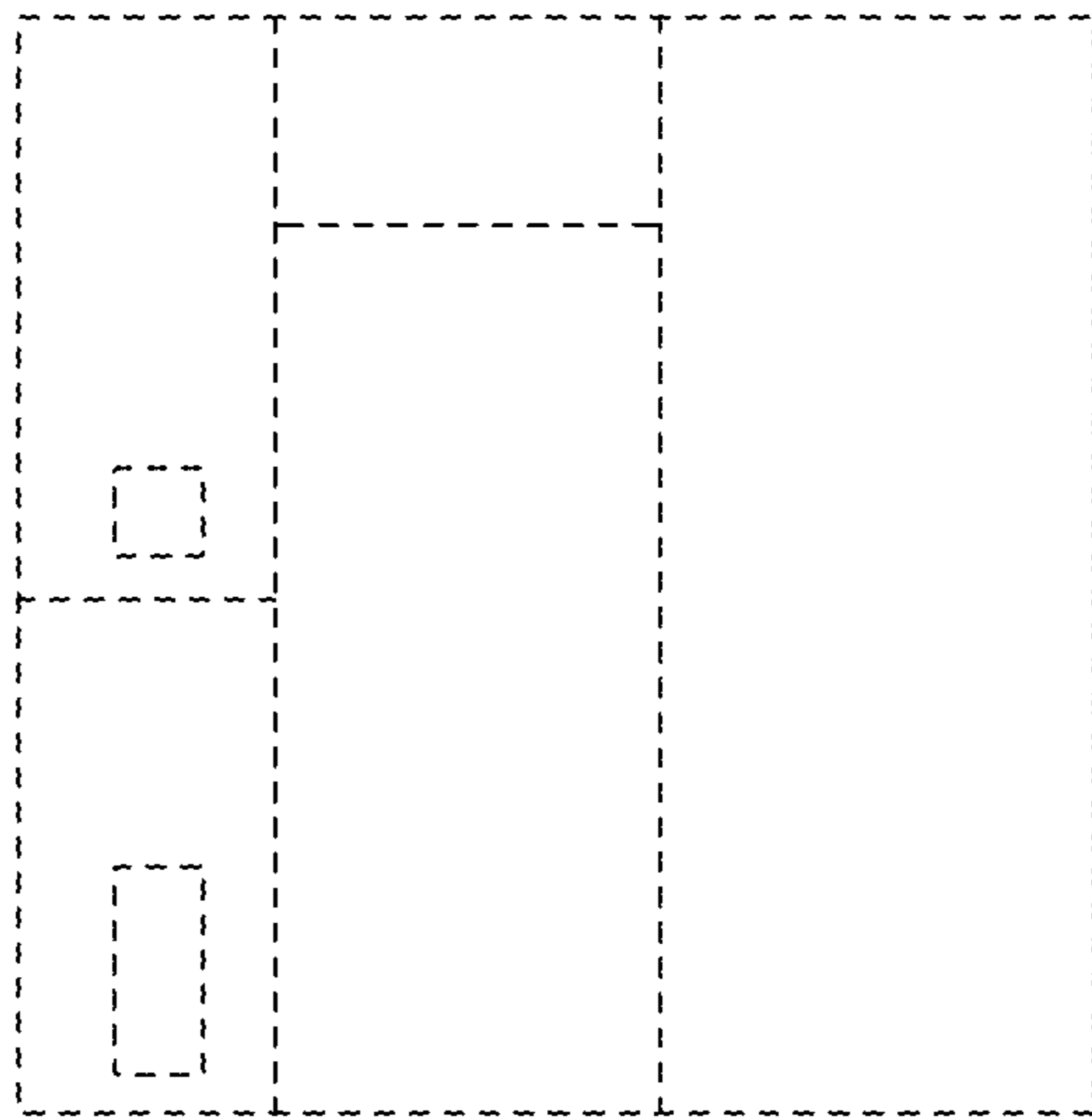


FIG. 6



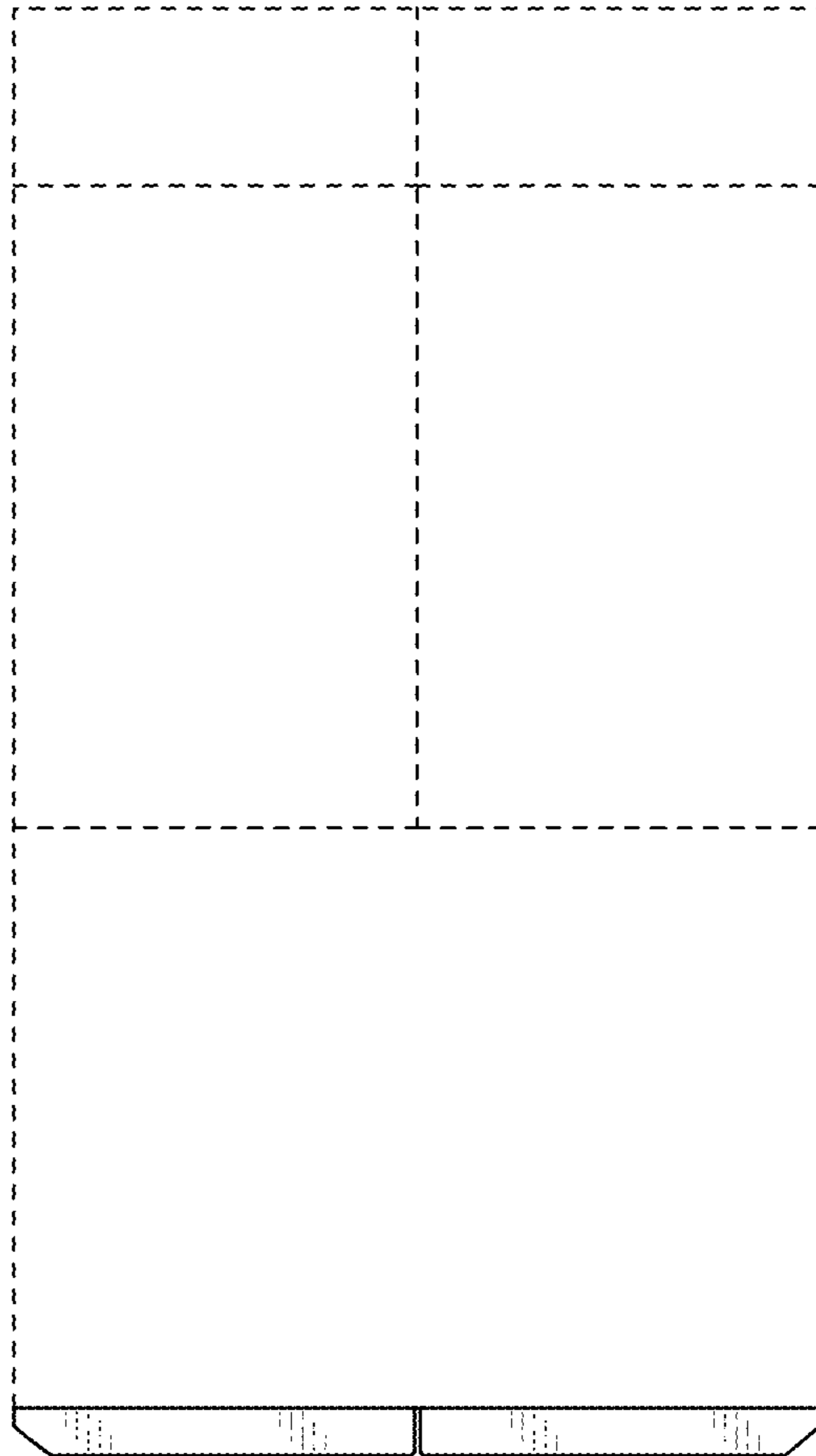


FIG. 7

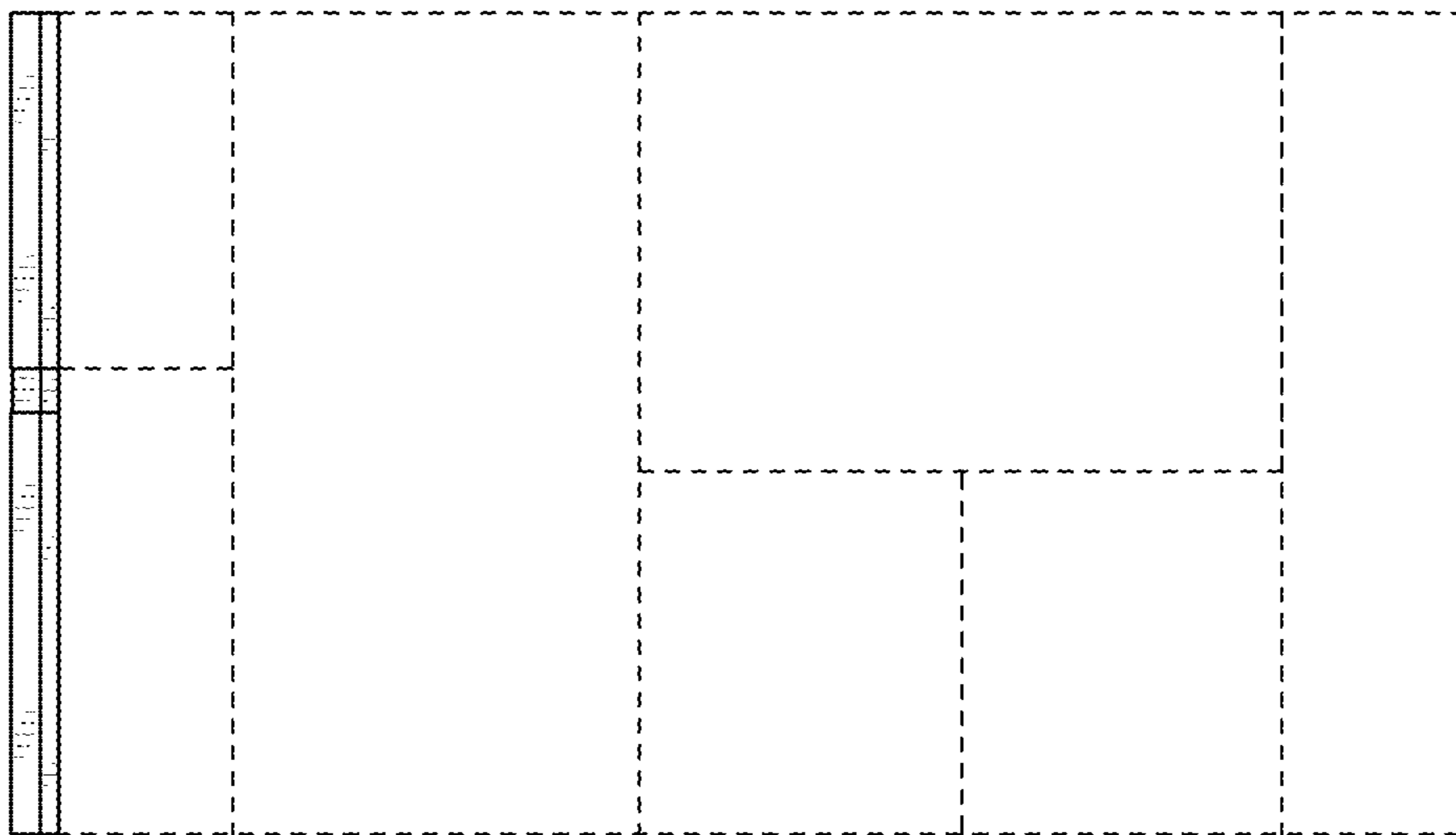


FIG. 8

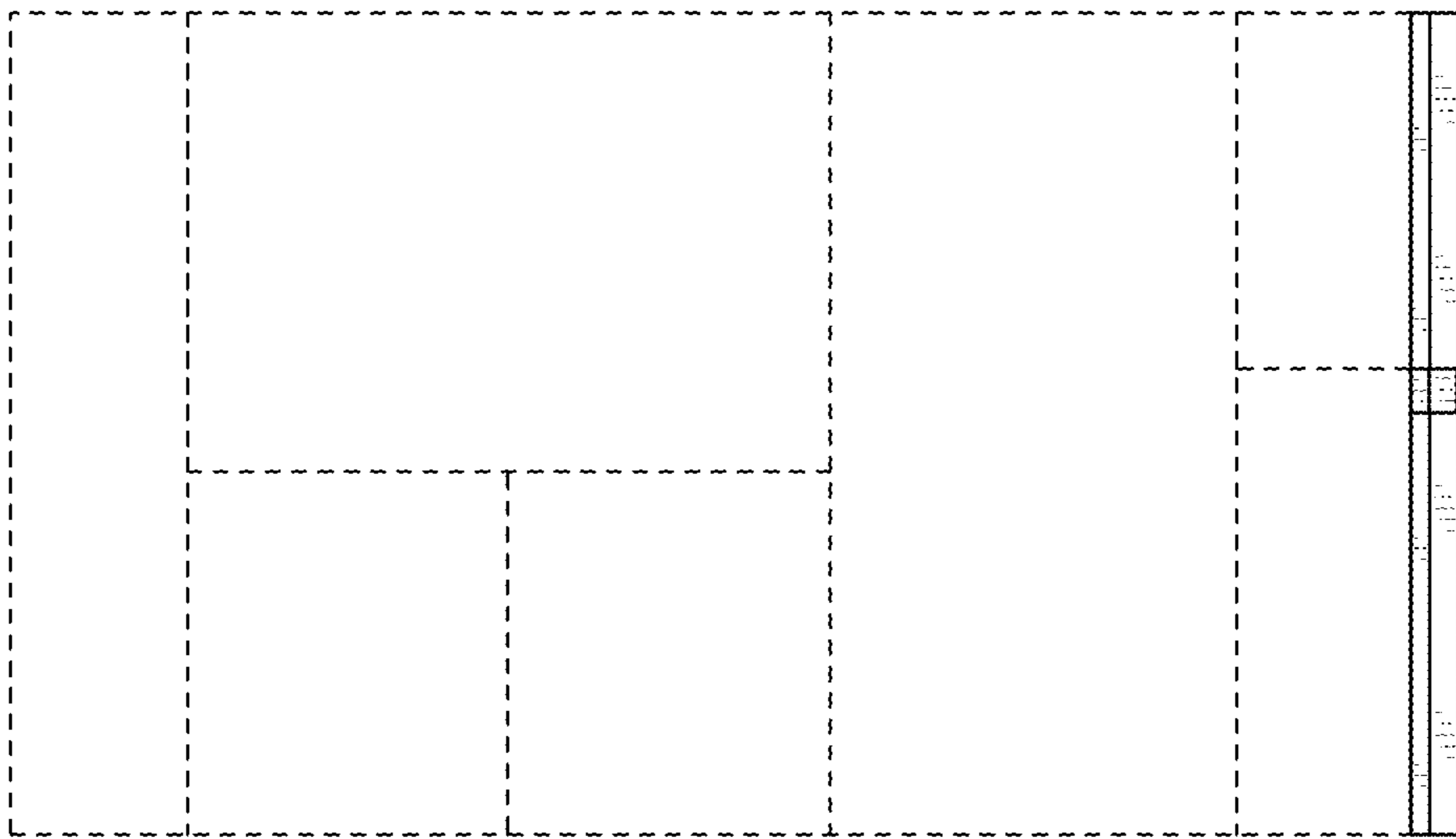


FIG. 9