



US00D956136S

(12) **United States Design Patent** (10) **Patent No.:** **US D956,136 S**
Lee (45) **Date of Patent:** **** Jun. 28, 2022**

(54) **FOLDABLE 3D PRINTER**

(71) Applicant: **Anatz Inc.**, Seoul (KR)

(72) Inventor: **Dongyub Lee**, Seoul (KR)

(73) Assignee: **Anatz Inc.**, Seoul (KR)

(**) Term: **15 Years**

(21) Appl. No.: **29/719,340**

(22) Filed: **Jan. 3, 2020**

(51) **LOC (13) Cl.** **18-02**

(52) **U.S. Cl.**
USPC **D18/50**

(58) **Field of Classification Search**
USPC ... D18/4.1, 4.4, 4.6, 34.1, 6, 7, 14, 19, 34.3,
D18/34.7, 34.8, 34.9, 36, 37, 38, 39, 46,
D18/47, 48, 49, 50, 53, 54, 55, 56, 59;
D14/300, 301, 302, 303, 307, 308, 314,
D14/321, 365, 445, 446; D15/122, 135,
D15/138, 145, 146
CPC H04N 1/00278; B26D 1/045; B26D 1/065;
B41J 15/044; B41J 2/1752; B41J 29/02;
B41J 29/08; B41J 17/00; B41J 15/42;
B41J 15/12; B41J 11/58; B41J 3/4075;
B29C 47/12
See application file for complete search history.

(56) **References Cited**

U.S. PATENT DOCUMENTS

D756,361 S	*	5/2016	Huang	D14/421
D765,745 S	*	9/2016	Cheung	D15/122
D800,124 S	*	10/2017	Asano	D14/421
D841,066 S	*	2/2019	Kita	D15/199
D861,749 S	*	10/2019	Besim	D15/122
D899,471 S	*	10/2020	Liu	D15/122
D923,704 S	*	6/2021	Asano	D18/50
D925,634 S	*	7/2021	Liu	D15/199

2016/0176108	A1 *	6/2016	Tadin	B29C 64/106 425/375
2019/0022933	A1 *	1/2019	Ho	B33Y 30/00
2019/0061265	A1 *	2/2019	Ho	B29C 64/386
2021/0206074	A1 *	7/2021	Lee	B29C 64/25

FOREIGN PATENT DOCUMENTS

CN	304081196	*	3/2017
IN	278030-0001	*	10/2018

OTHER PUBLICATIONS

Anatz 3D Printer, p. 1, 2020 _ Facebook—29719340—<https://www.facebook.com/AnatzLab/photos/a.326554360847280/1484377878398250/?type=3&theater> (Year: 2020).*

* cited by examiner

Primary Examiner — Jennifer L Rempfer
Assistant Examiner — Danielle Nichole Bowly
(74) *Attorney, Agent, or Firm* — Revolution IP, PLLC

(57) **CLAIM**

The ornamental design for a foldable 3D printer, as shown and described.

DESCRIPTION

FIG. 1 is a top, front, right perspective view of a foldable 3D printer showing the claimed design;
FIG. 2 is a top, front, left perspective view thereof;
FIG. 3 is a top, rear, right perspective view thereof;
FIG. 4 is a top, rear, left perspective view thereof;
FIG. 5 is a bottom, front, right perspective view thereof;
FIG. 6 is a bottom, front, left perspective thereof;
FIG. 7 is a bottom, rear, right perspective thereof; and,
FIG. 8 is a bottom, rear, left perspective thereof.
The broken lines in FIGS. 5-8 depict portions of the foldable 3D printer that form no part of the claimed design.

1 Claim, 8 Drawing Sheets

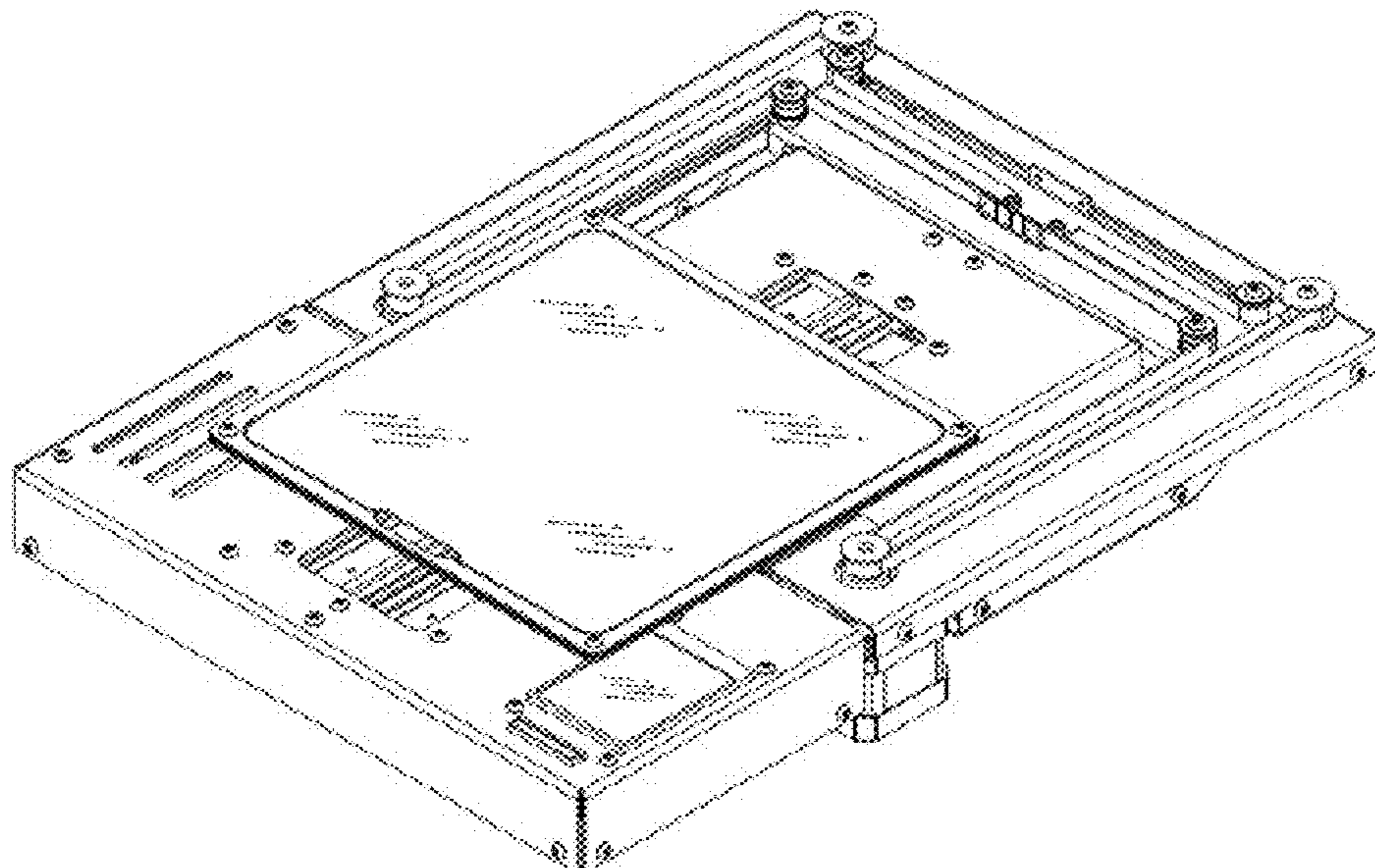


FIG. 1

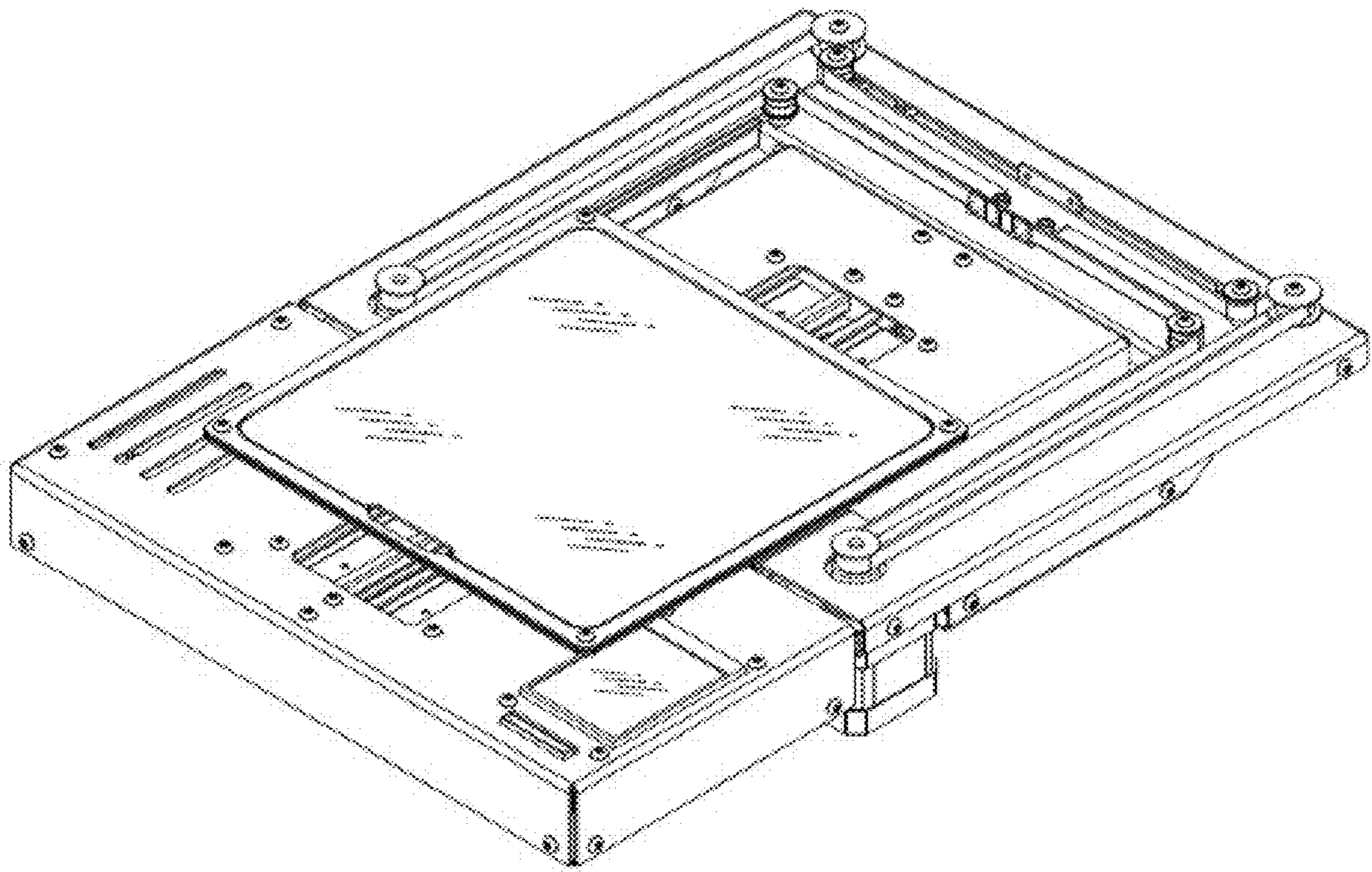


FIG. 2

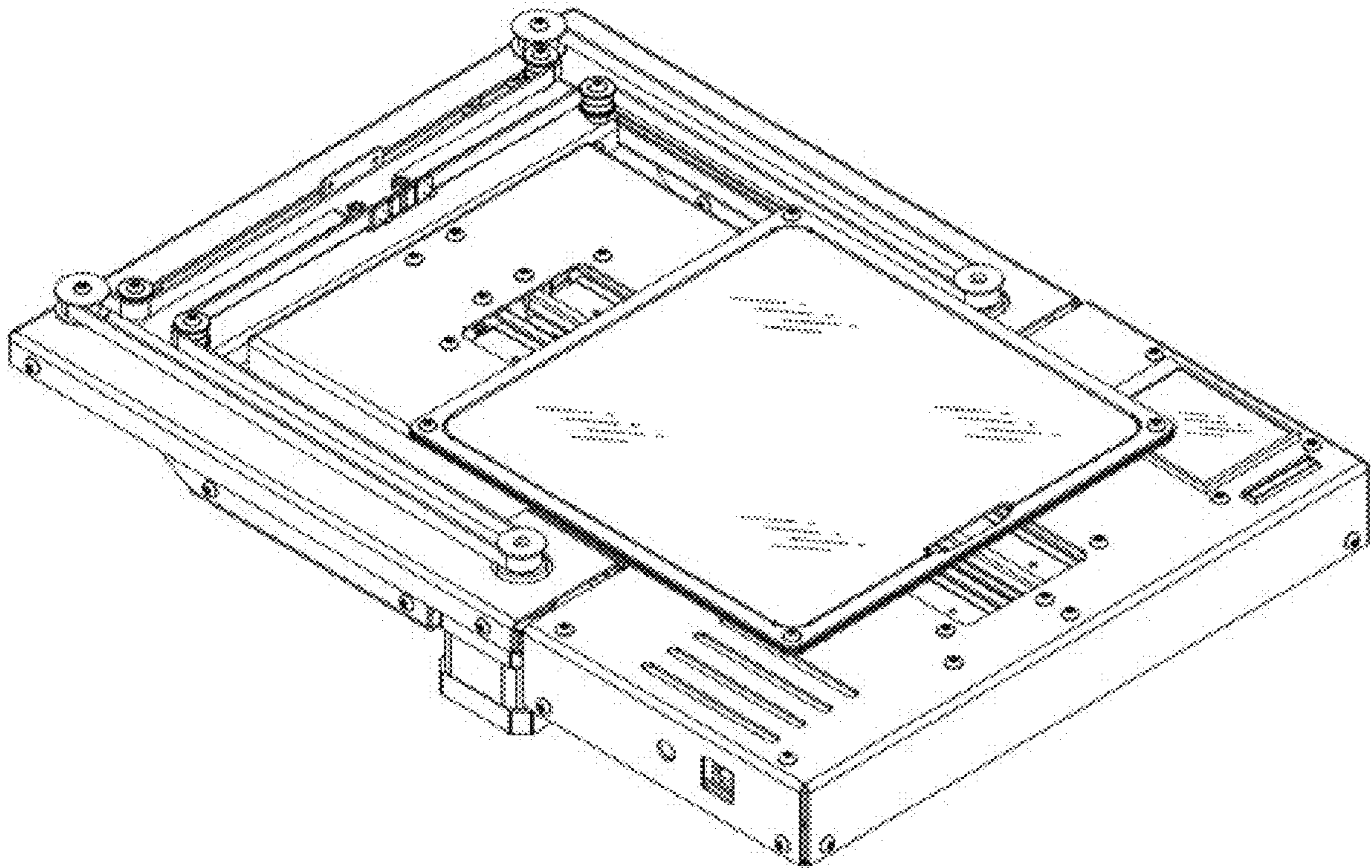


FIG. 3

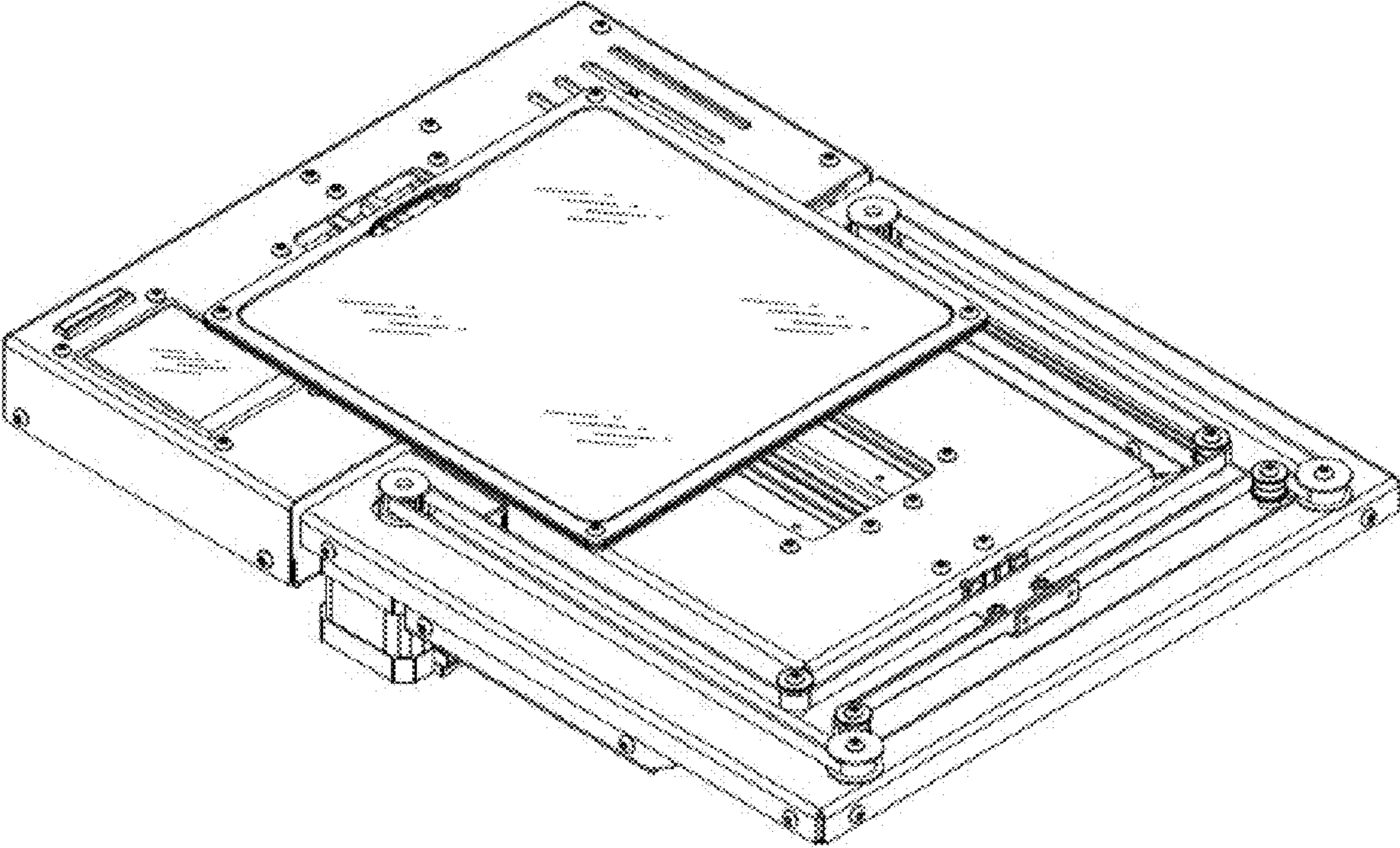


FIG. 4

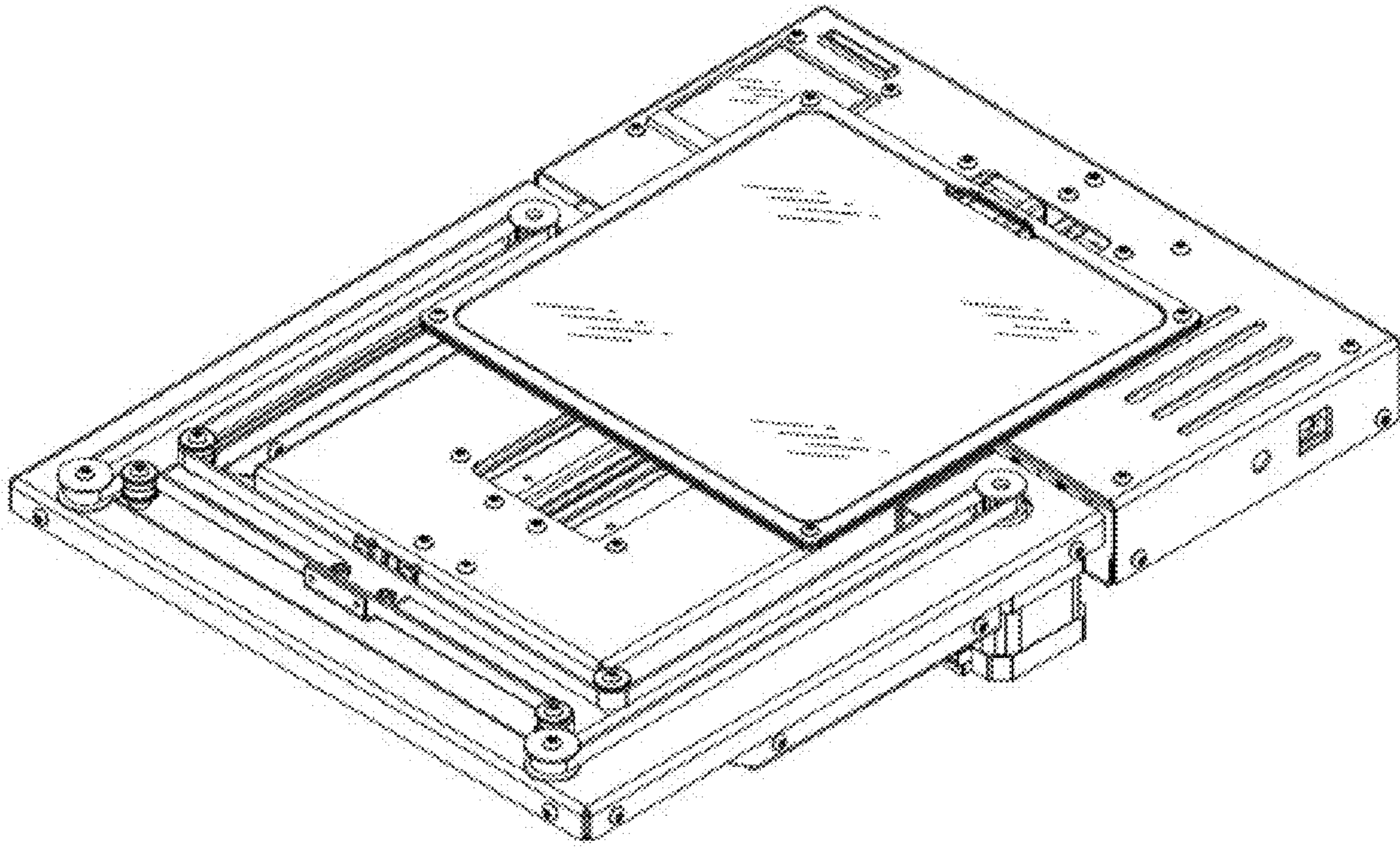


FIG. 5

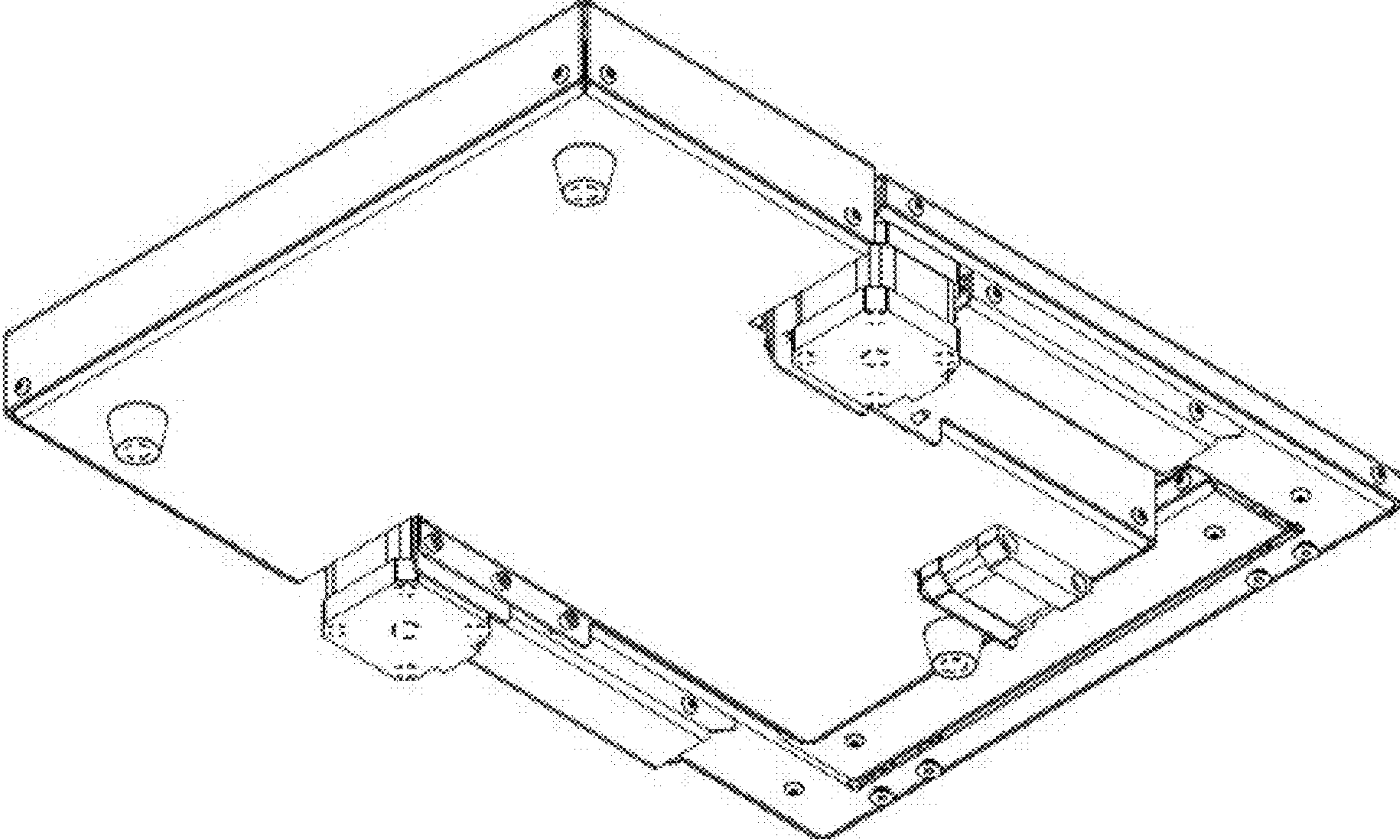


FIG. 6

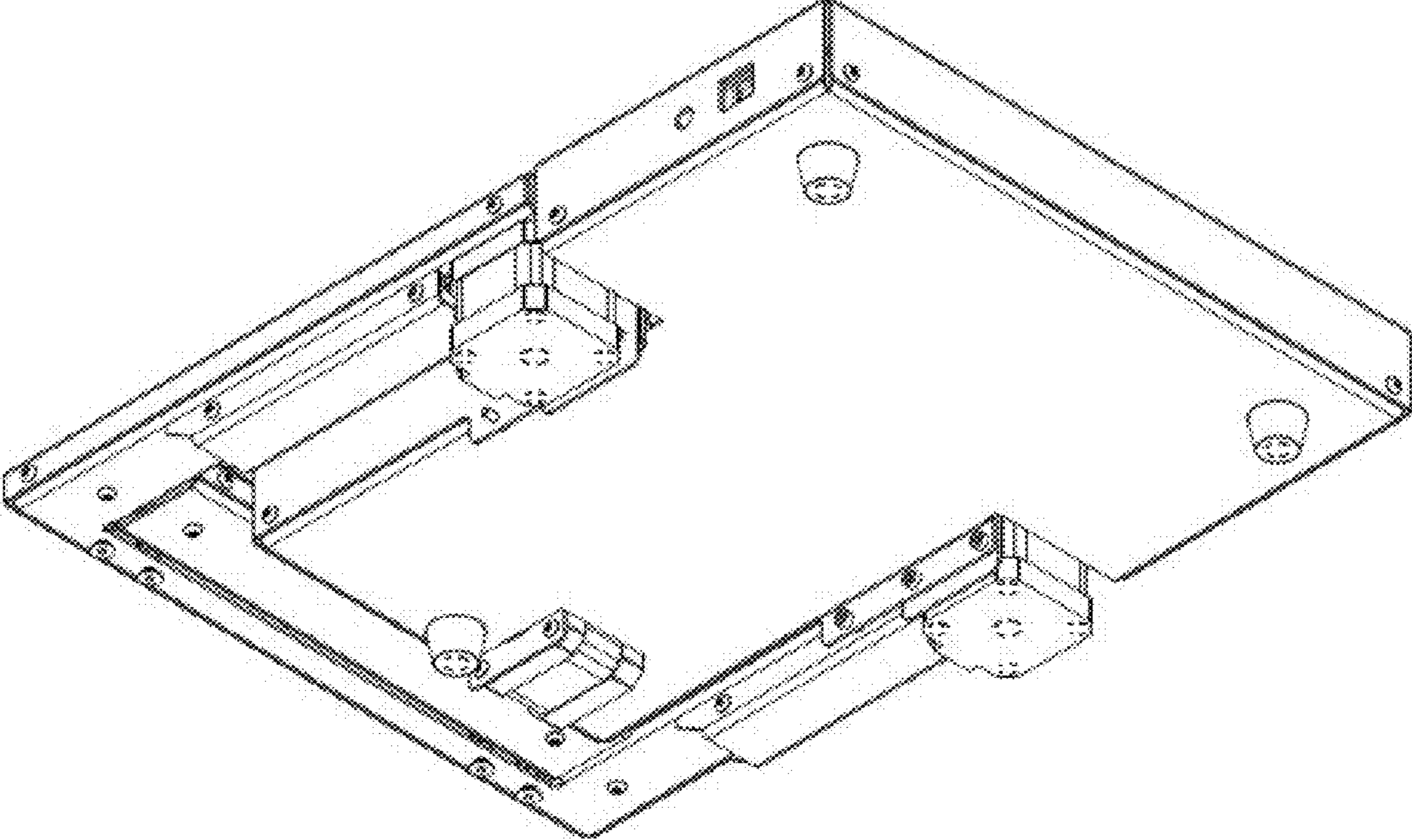


FIG. 7

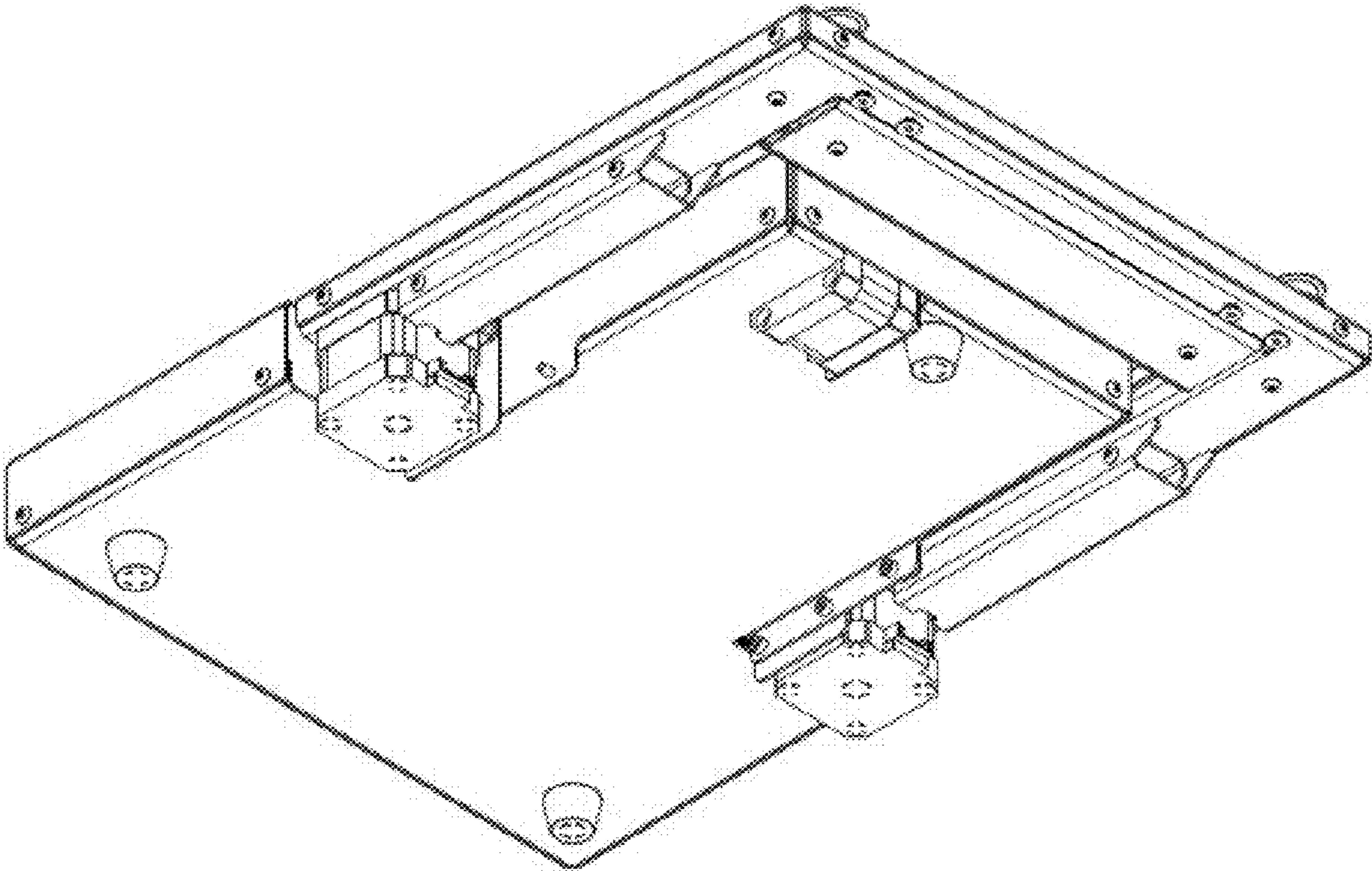


FIG. 8

