



US00D956135S

(12) **United States Design Patent**  
**Kobayashi et al.**

(10) **Patent No.:** **US D956,135 S**  
(45) **Date of Patent:** **\*\* \*Jun. 28, 2022**

(54) **TONER CARTRIDGE**

1/001; B65H 5/02; G03G 15/08; G03G 15/0891; G03G 15/0875; G03G 2215/0827; G03G 2215/0855; G03G 21/1842; G03G 15/0872; G03G 15/0867; G03G 15/0889; G03G 21/1647

(71) Applicant: **FUJIFILM BUSINESS INNOVATION CORP.**, Tokyo (JP)

(72) Inventors: **Akihiro Kobayashi**, Yokohama (JP); **Takuji Matsumoto**, Yokohama (JP); **Kazuhiko Sakai**, Yokohama (JP)

See application file for complete search history.

(73) Assignee: **FUJIFILM Business Innovation Corp.**, Tokyo (JP)

(\*) Notice: This patent is subject to a terminal disclaimer.

(\*\*) Term: **15 Years**

(21) Appl. No.: **29/688,820**

(22) Filed: **Apr. 24, 2019**

(30) **Foreign Application Priority Data**

Dec. 18, 2018 (JP) ..... 2018-027605

(51) **LOC (13) Cl.** ..... **16-03**

(52) **U.S. Cl.**  
USPC ..... **D18/43**

(58) **Field of Classification Search**  
USPC ..... D15/122, 135-138, 141, 66, 73, 76-78, D15/146, 150, 143, 89; D18/53, 59, 50, D18/14, 19, 54-57, 36-45, 34.4, 34.5, D18/34.6, 18, 51, 34.1; D14/301-303, D14/307, 345, 420-425, 462; D6/691.4, D6/675, 708, 671, 520-523, 580; D34/35, 29, 1; D7/700, 554.3, 637; D3/304, 313; D9/424; D8/313, 314, D8/301, 380, 382, 358, 354; D10/119.1; D32/19, 25, 32, 21; D4/128, 102, 122; D25/157, 160, 162, 119; D19/1, 5, 113, D19/190, 191, 104, 107, 192, 202, 99, D19/100  
CPC ..... B41J 2/14; B41J 2/01; B41J 2/22; B41J 1/54; B41J 3/4073; B41J 3/4078; B41F 17/22; B41F 17/003; B41F 17/38; B28B

(56) **References Cited**

**U.S. PATENT DOCUMENTS**

D500,074 S *	12/2004	Naraoka	.....	D18/43
D616,491 S *	5/2010	Yomoda	.....	D18/43
D622,759 S *	8/2010	Yoshida	.....	D18/43
D636,435 S *	4/2011	Naito	.....	D18/43
D656,181 S *	3/2012	Kikuchi	.....	D18/43
D689,129 S *	9/2013	Okino	.....	D18/43

(Continued)

**FOREIGN PATENT DOCUMENTS**

DE 40500929-0001 \* 10/2005

*Primary Examiner* — Leanne Was-Englehart

(74) *Attorney, Agent, or Firm* — Oliff PLC

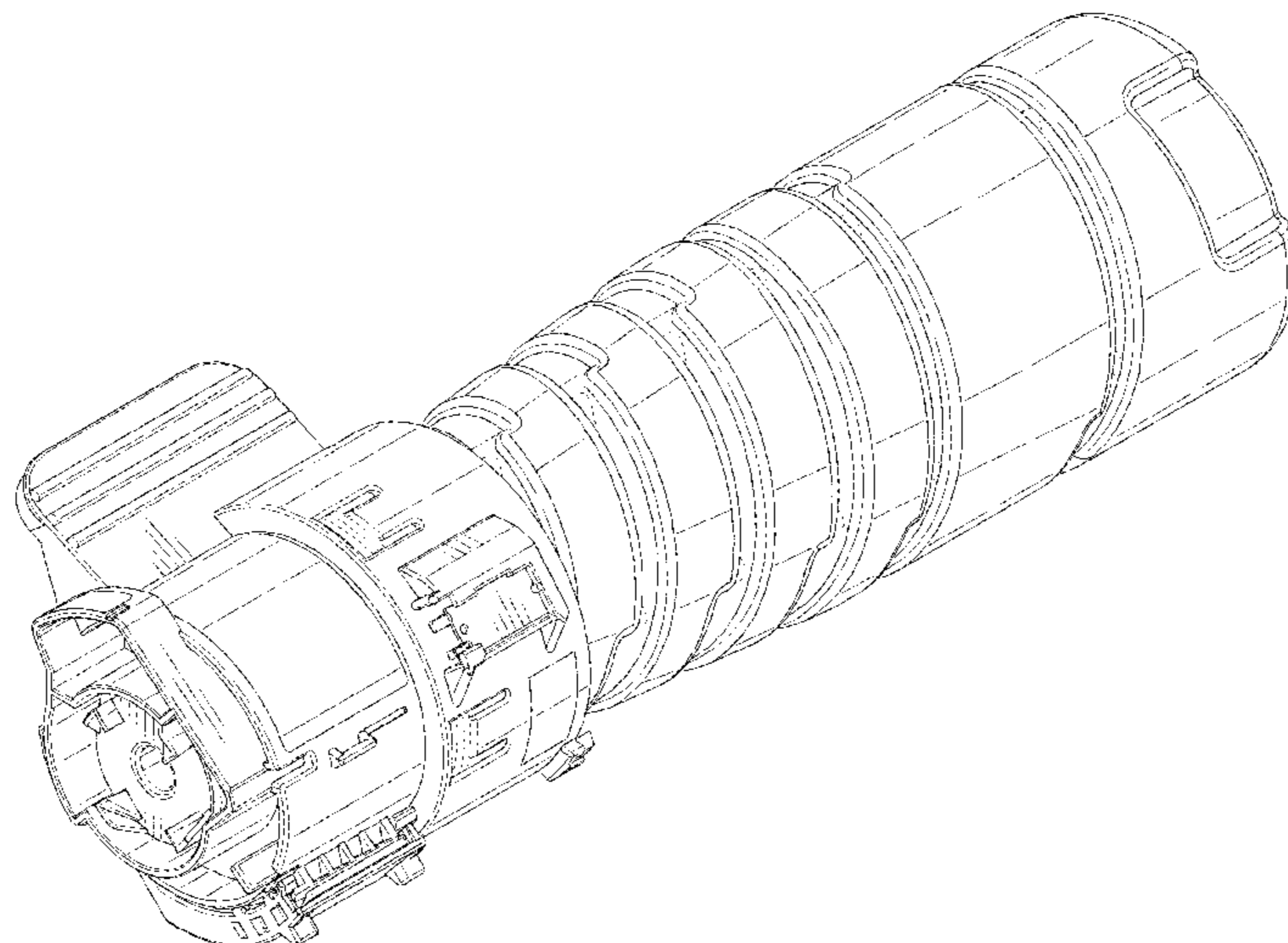
(57) **CLAIM**

The ornamental design for a toner cartridge, as shown and described.

**DESCRIPTION**

FIG. 1 is a front, left bottom perspective view of a toner cartridge showing our new design;  
FIG. 2 is a rear, left, top perspective view thereof;  
FIG. 3 is a front view thereof;  
FIG. 4 is a rear side view thereof;  
FIG. 5 is a left side view thereof;  
FIG. 6 is a right side view thereof;  
FIG. 7 is a top plan view thereof; and,  
FIG. 8 is a bottom plan view thereof.  
The broken lines depict portions of the toner cartridge that form no part of the claimed design.

**1 Claim, 7 Drawing Sheets**



(56)

## References Cited

## U.S. PATENT DOCUMENTS

D734,386 S \* 7/2015 Kikuchi ..... D18/43  
9,639,028 B2 \* 5/2017 Horii ..... G03G 15/0872  
D795,339 S \* 8/2017 Kuboki ..... D18/43  
D816,153 S \* 4/2018 Oizumi ..... D18/43  
D828,868 S \* 9/2018 Kubo ..... D18/43  
D829,813 S \* 10/2018 Kubo ..... D18/43  
D829,814 S \* 10/2018 Kubo ..... D18/43  
D876,535 S \* 2/2020 Uesugi ..... D18/43  
D879,194 S \* 3/2020 Kikuchi ..... D18/43  
10,684,574 B1 \* 6/2020 Kobayashi ..... G03G 15/0881  
D894,267 S \* 8/2020 Ikeda ..... D18/43  
D896,883 S \* 9/2020 Ohashi ..... D18/43  
D899,513 S \* 10/2020 Ohashi ..... D18/43  
D908,169 S \* 1/2021 Ikeda ..... D18/43  
11,048,183 B2 \* 6/2021 Watanabe ..... G03G 9/0825  
D928,870 S \* 8/2021 Kobayashi ..... D18/43  
D928,871 S \* 8/2021 Kobayashi ..... D18/43  
11,106,148 B2 \* 8/2021 Noguchi ..... G03G 9/1139  
2011/0222871 A1 \* 9/2011 Suzuki ..... G03G 15/0872  
399/27  
2018/0143565 A1 \* 5/2018 Chuang ..... G03G 15/0872  
2018/0356750 A1 \* 12/2018 Huang ..... G03G 15/0886  
2020/0073282 A1 \* 3/2020 Sakai ..... G03G 15/0872  
2020/0081372 A1 \* 3/2020 Kinoshita ..... G03G 15/0867  
2020/0096905 A1 \* 3/2020 Kobayashi ..... G03G 15/0867  
2020/0310286 A1 \* 10/2020 Kanno ..... G03G 15/0863

\* cited by examiner

FIG. 1

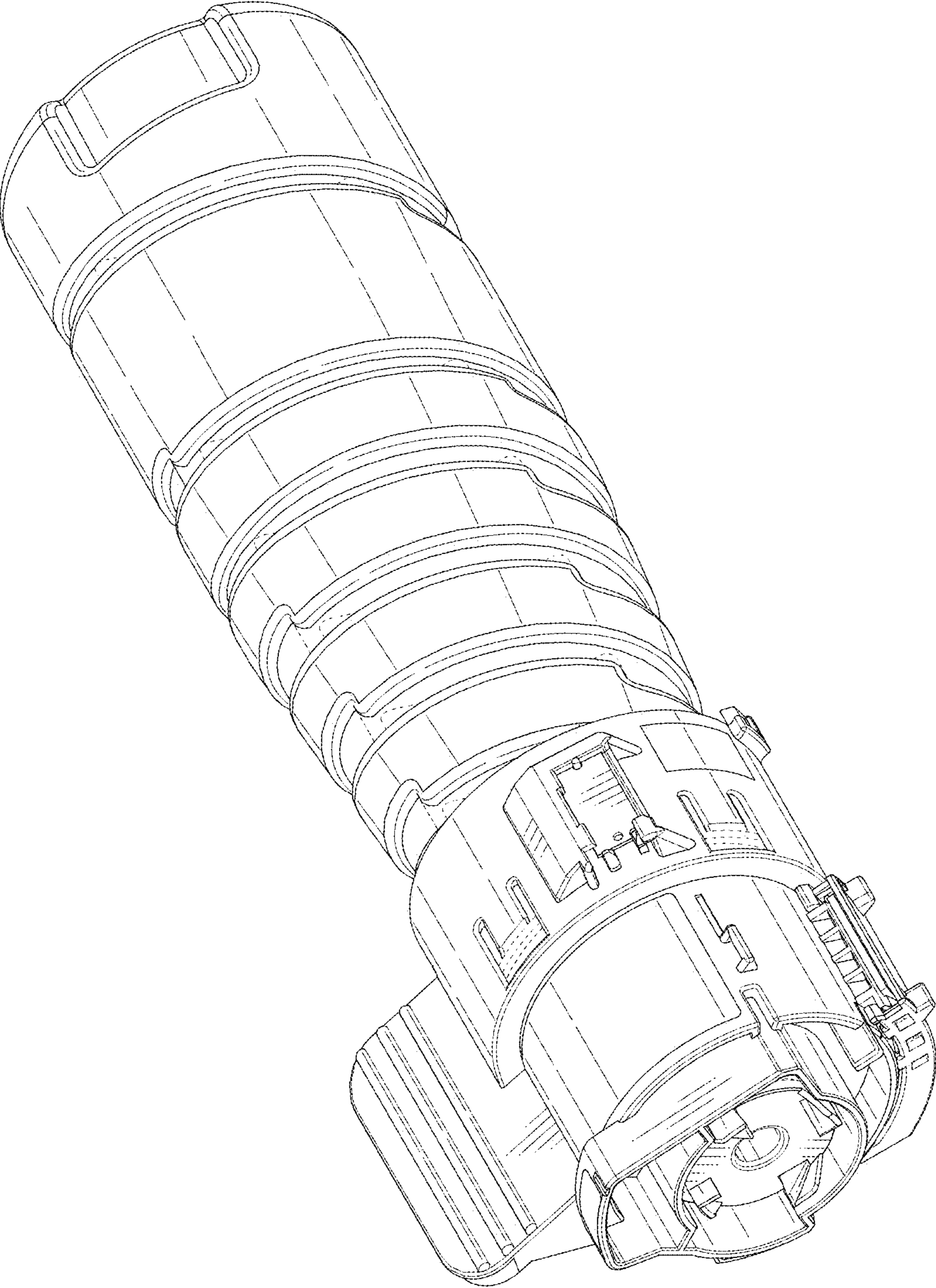


FIG. 2

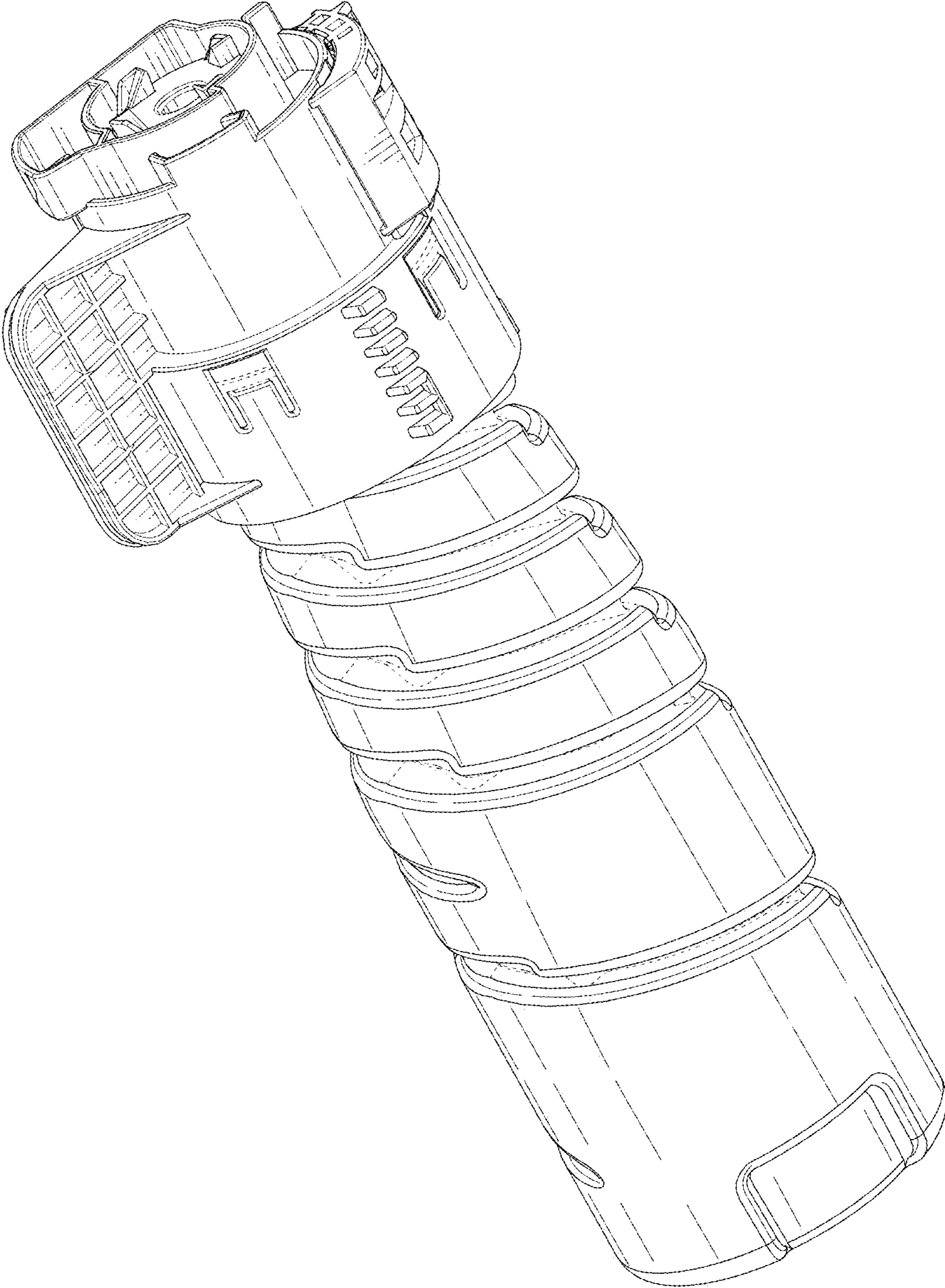


FIG. 3

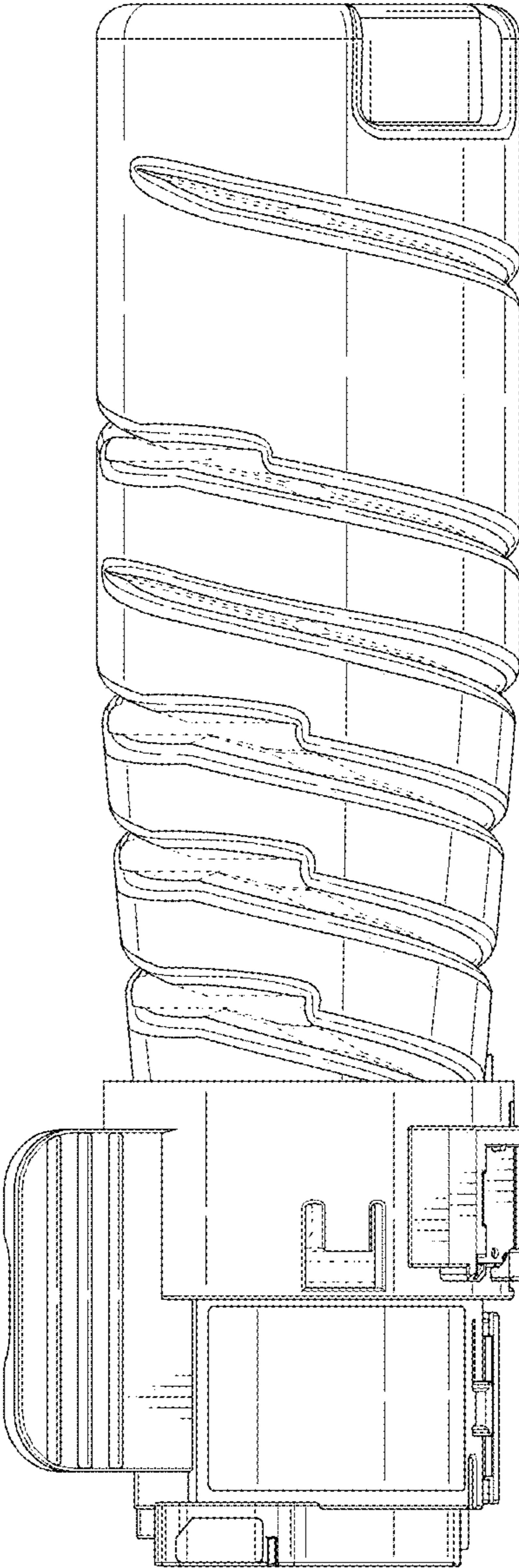


FIG. 4

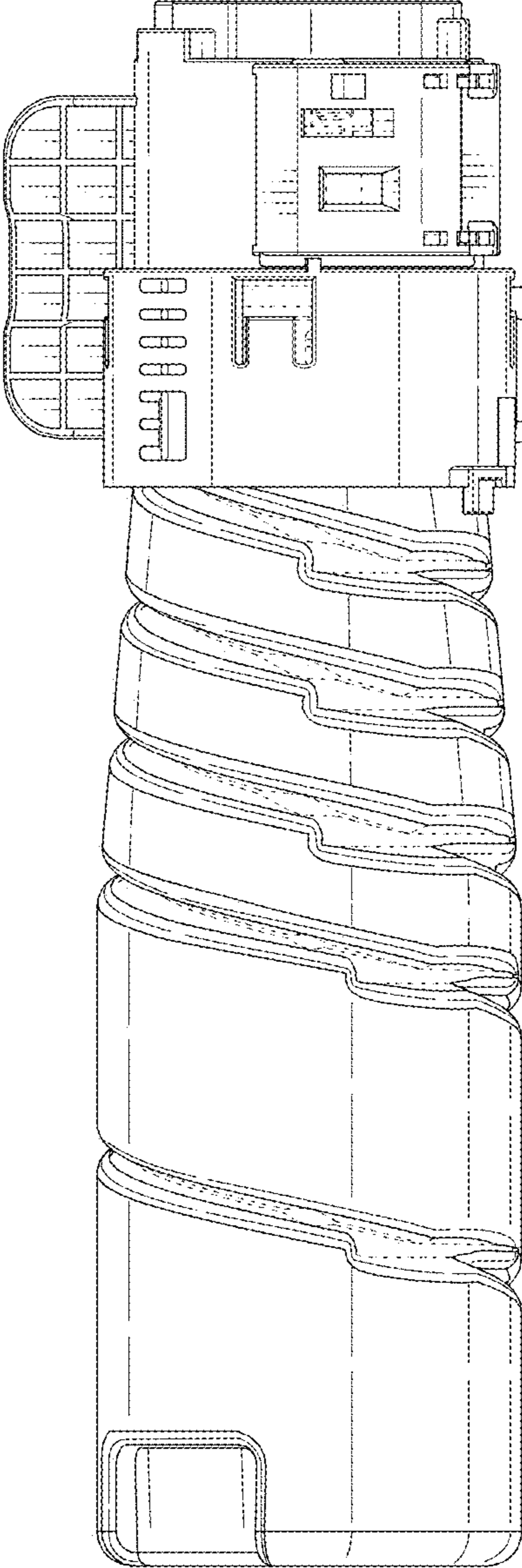


FIG. 6

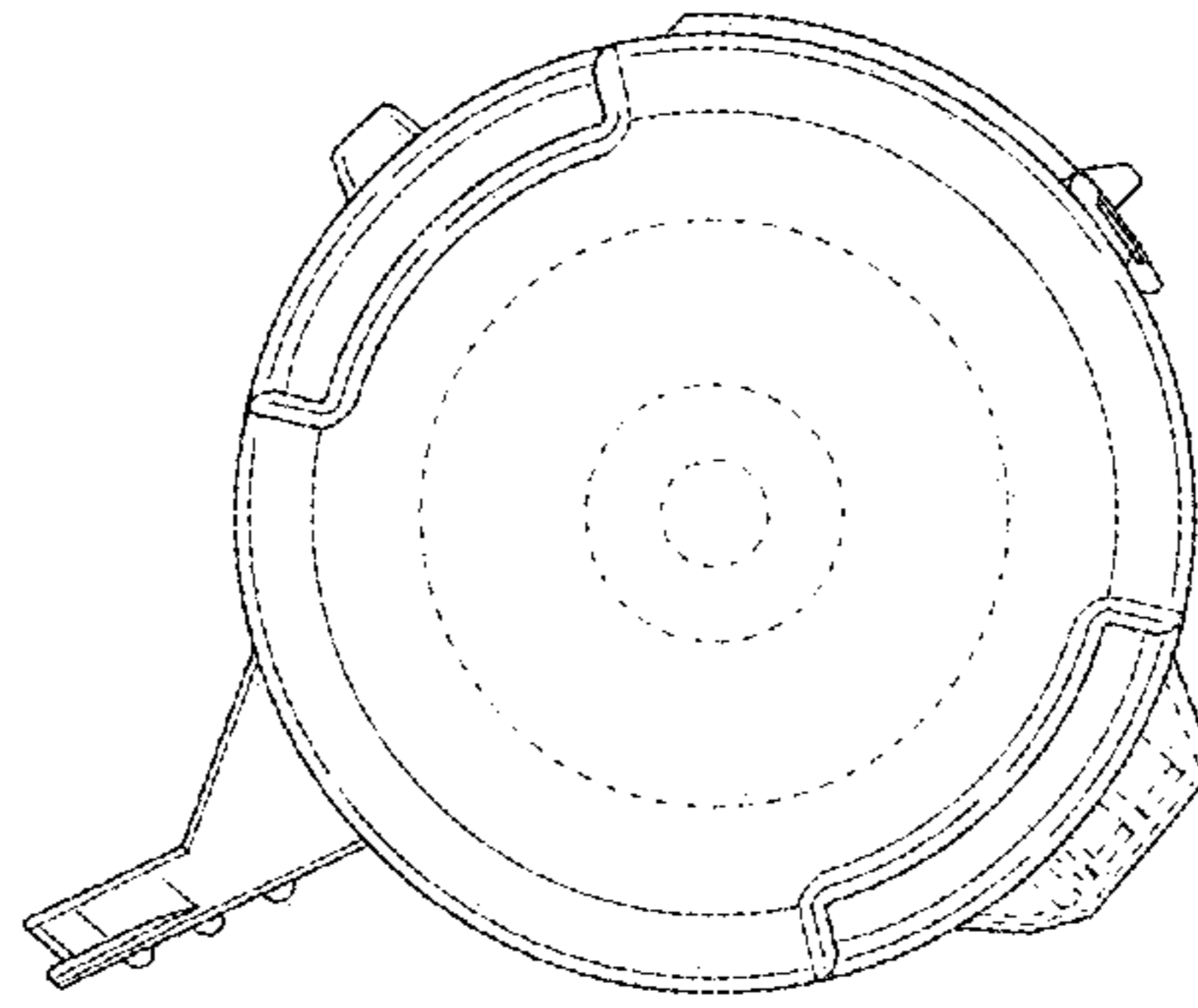


FIG. 5

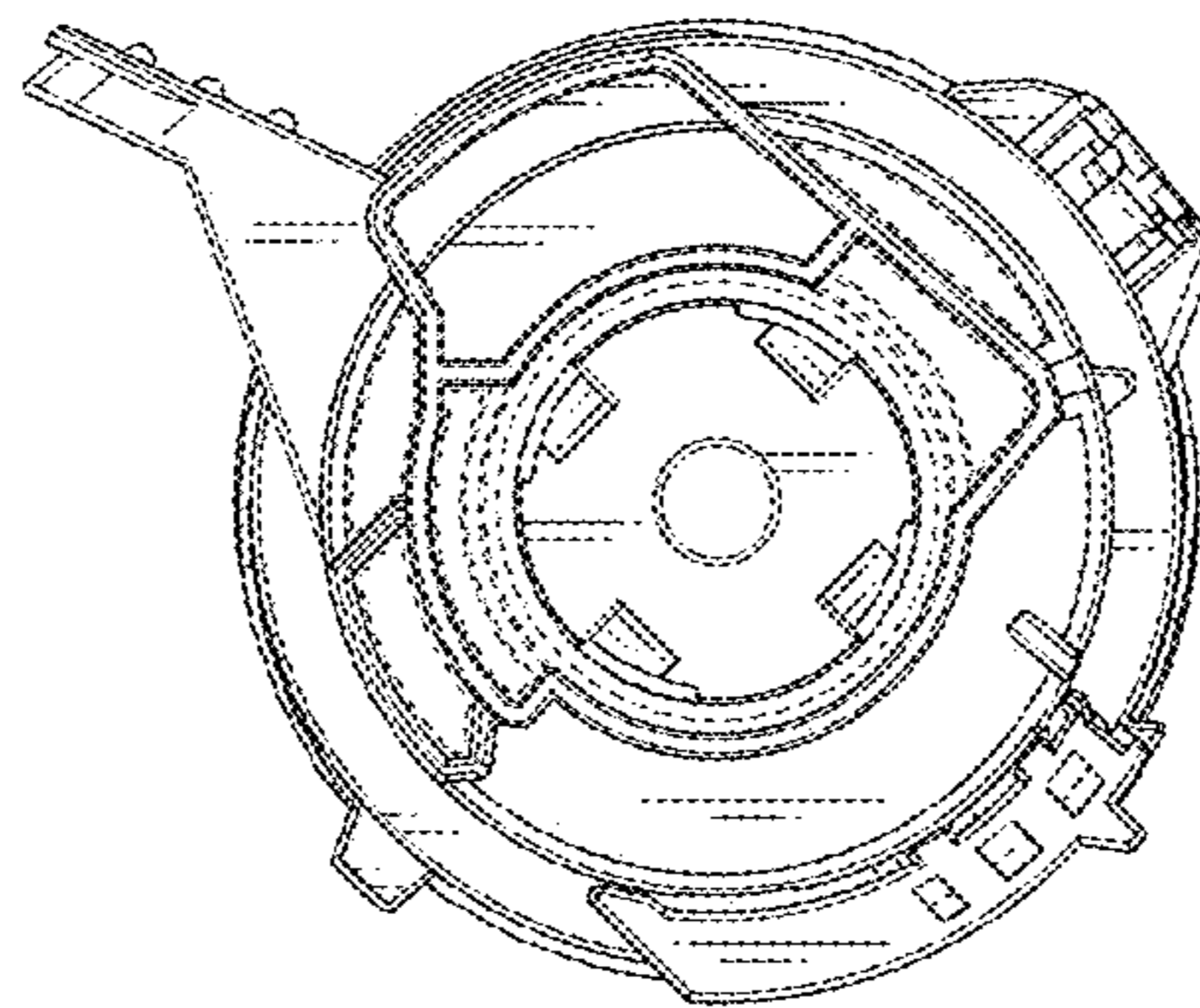


FIG. 7

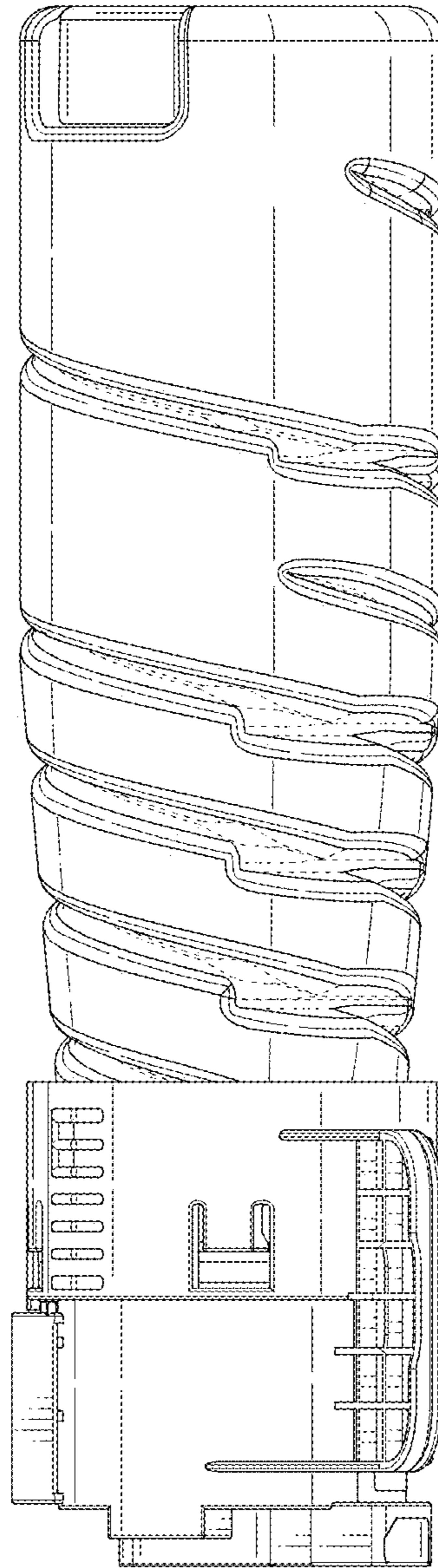




FIG. 8

