



US00D956133S

(12) **United States Design Patent**
Zhang

(10) **Patent No.:** **US D956,133 S**
(45) **Date of Patent:** **** Jun. 28, 2022**

(54) **LABEL PRINTER**
(71) Applicant: **Shenzhen Trohe Technology Co., Ltd,**
Shenzhen (CN)
(72) Inventor: **Xiangqian Zhang,** Shenzhen (CN)
(73) Assignee: **SHENZHEN TROHE**
TECHNOLOGY CO., LTD, Shenzhen
(CN)

D815,198 S * 4/2018 Faro D18/50
D859,517 S * 9/2019 Meyer D18/19
D894,264 S * 8/2020 Sarro D18/19
D900,214 S * 10/2020 Sun D18/19
(Continued)

(**) Term: **15 Years**

FOREIGN PATENT DOCUMENTS

CN 303711362 * 6/2016
CN 305327441 * 8/2019
CN 306093581 * 10/2020
(Continued)

(21) Appl. No.: **29/747,038**

OTHER PUBLICATIONS

Amazon. Link: https://www.amazon.com/Shipping-Printer-Commercial-Shipstation-Stamps-com/dp/B08Z3YSL79/ref=sr_1_1?dchild=1&keywords=B08Z3YSL79&qid=1621443351&s=electronics&sr=1-1. Mar. 16, 2021. Micmi Shipping Label Printer. (Year: 2021).
(Continued)

(22) Filed: **Aug. 19, 2020**

(51) **LOC (13) Cl.** **18-99**
(52) **U.S. Cl.**
USPC **D18/19**

(58) **Field of Classification Search**
USPC D18/12, 14, 15, 16, 17, 18, 19, 36, 37,
D18/38, 39, 40, 41, 45, 54, 55, 50, 53,
D18/43, 56; D19/65, 66, 67, 68, 69, 70,
D19/71; D14/301, 307, 121
CPC H04N 1/00204; H04N 1/00249; H04N
1/00278; G06K 15/12; G06K 15/14; B41J
3/00; B41J 3/28; B41J 3/445; B41J 3/46;
B41J 11/0045; B41J 2/3358; B41J 3/36;
B41J 3/382
See application file for complete search history.

Primary Examiner — Lauren D McVey

(57) **CLAIM**

The ornamental design for a label printer, as shown and described.

DESCRIPTION

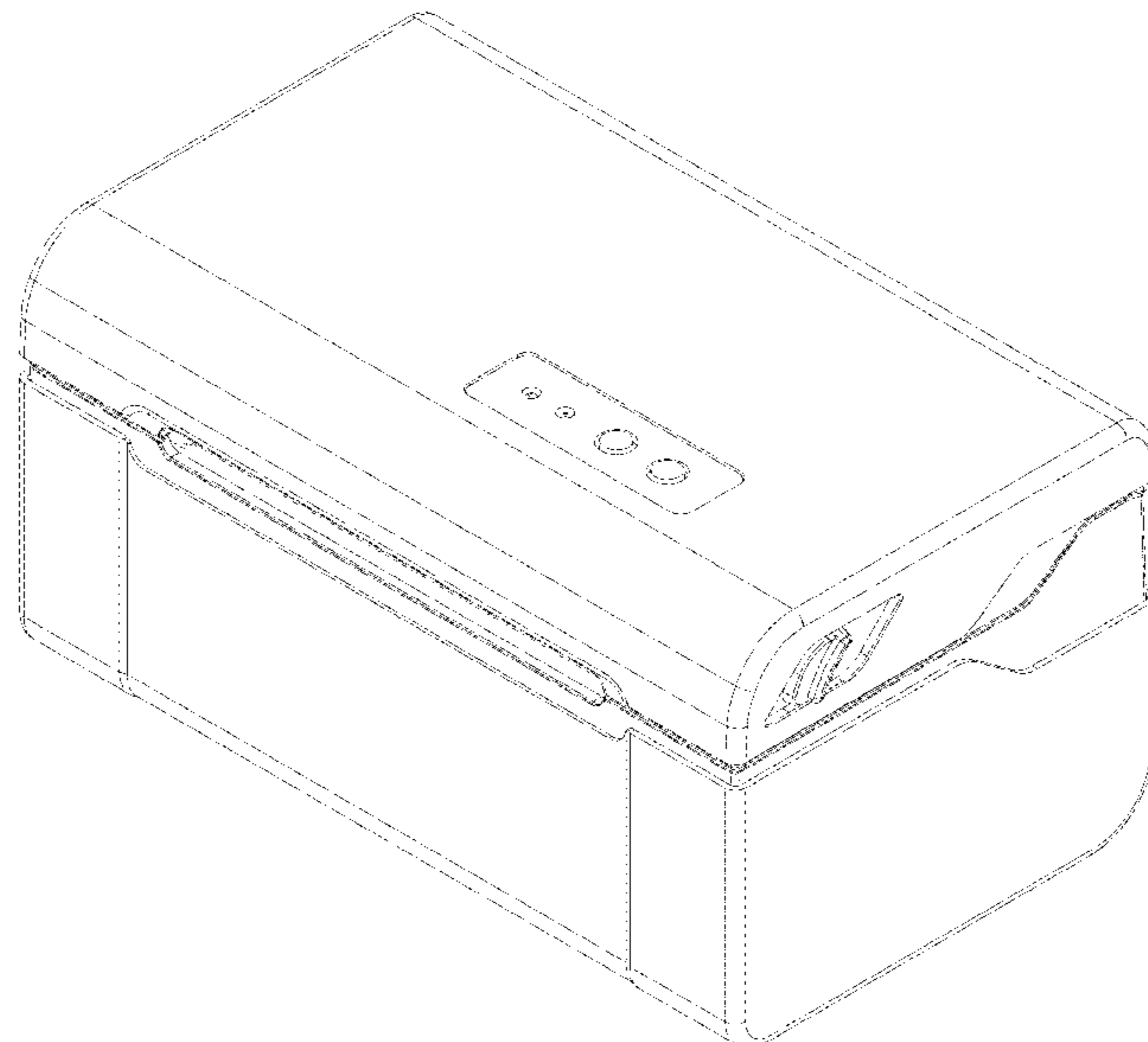
FIG. 1 is a front elevation view of a label printer showing my new design;
FIG. 2 is a rear elevation view thereof;
FIG. 3 is a left side elevation view thereof;
FIG. 3 is a right side elevation view thereof;
FIG. 5 is a top plan view thereof;
FIG. 6 is a bottom plan view thereof;
FIG. 7 is a perspective view from the top side thereof; and,
FIG. 8 is a perspective view from the front side thereof.
The broken lines immediately adjacent to the claim depict the bounds of the claimed design, while all other broken lines are directed to environment. The broken lines form no part of the claimed design.

(56) **References Cited**

U.S. PATENT DOCUMENTS

D523,072 S * 6/2006 Lee D18/14
D529,950 S * 10/2006 Katayama D18/50
D533,585 S * 12/2006 Park D18/50
D535,324 S * 1/2007 Park D18/50
D584,346 S * 1/2009 Sumi D18/50
D622,760 S * 8/2010 Kimura D18/50
D652,445 S * 1/2012 Burton D18/50
D751,141 S * 3/2016 Minamide D18/50

1 Claim, 8 Drawing Sheets



(56)

References Cited

U.S. PATENT DOCUMENTS

2019/0009582 A1* 1/2019 Kanamura B41J 11/703

FOREIGN PATENT DOCUMENTS

CN 306350678 * 2/2021
CN 306350768 * 2/2021

OTHER PUBLICATIONS

Amazon. Link: <https://www.amazon.com/LabelRange-Label-Printer-Barcodes-Shipping/dp/B07W213Z69>. Aug. 1, 2019. LabelRange Label Printer. (Year: 2019).*

Amazon. Link: https://www.amazon.com/AOBIO-Shipping-Label-Printer-Compatible/dp/B092ZNB3Y3?ref_=ast_sto_dp&th=1&pssc=1. Apr. 20, 2021. AOBIO Q5 Shipping Label Printer. (Year: 2021).*

Amazon. Link: https://www.amazon.com/dp/B01MA3EYC5/ref=cm_sw_em_r_mt_dp_SH571GY00K06MECEY8PC?_encoding=UTF8&pssc=1. Oct. 13, 2016. ROLLO Label Printer. (Year: 2016).*

* cited by examiner

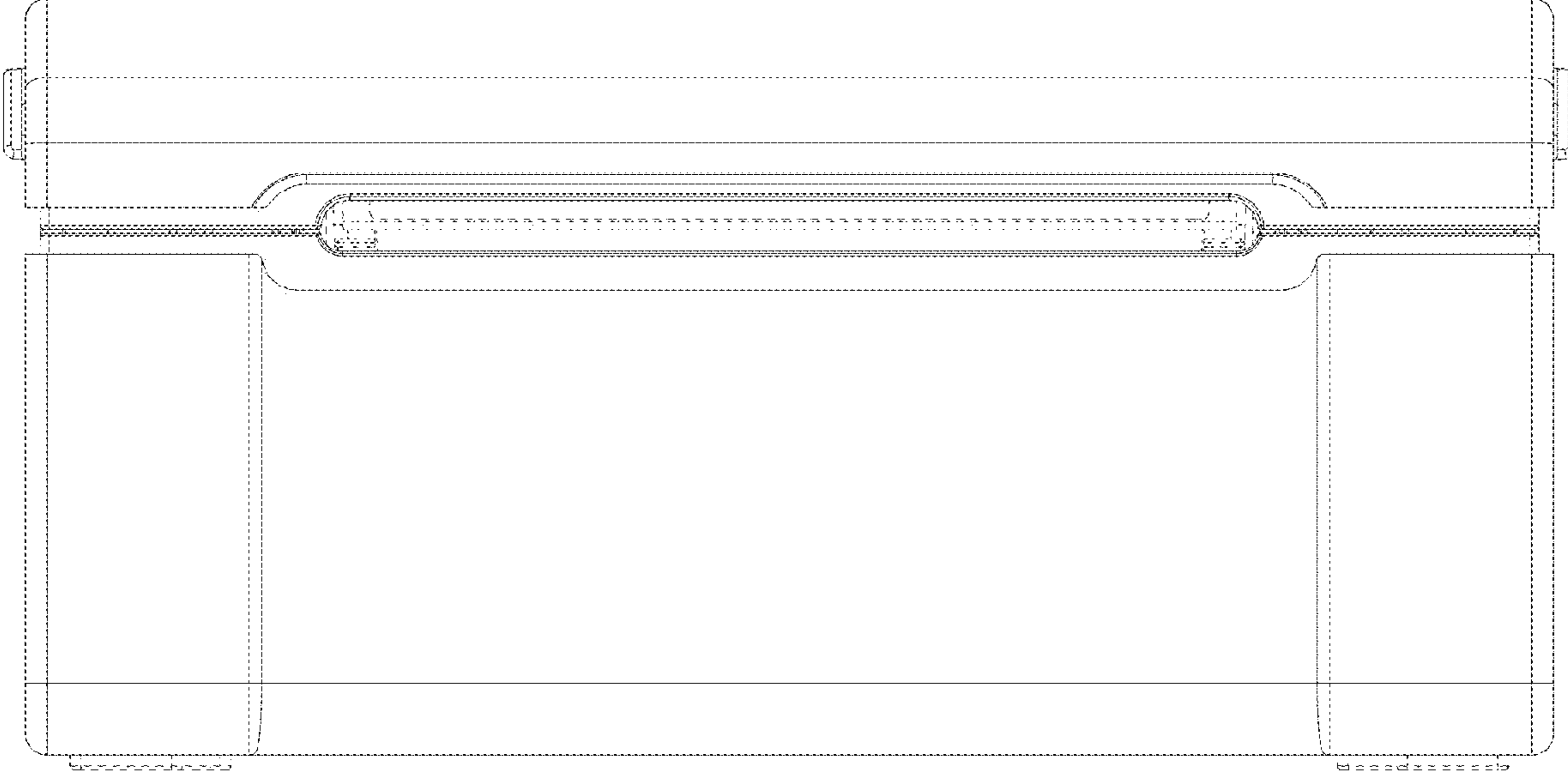


FIG. 1

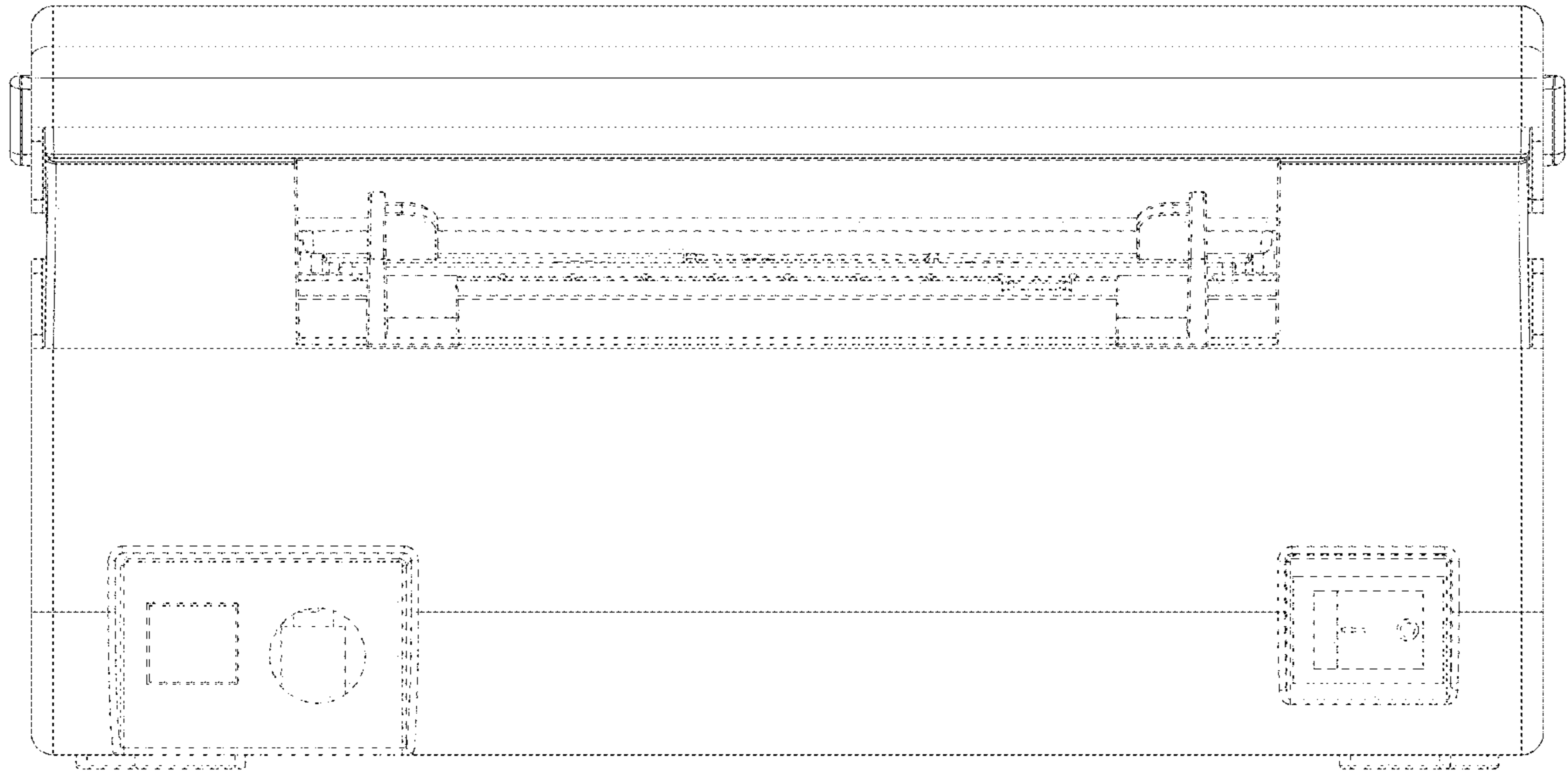


FIG. 2

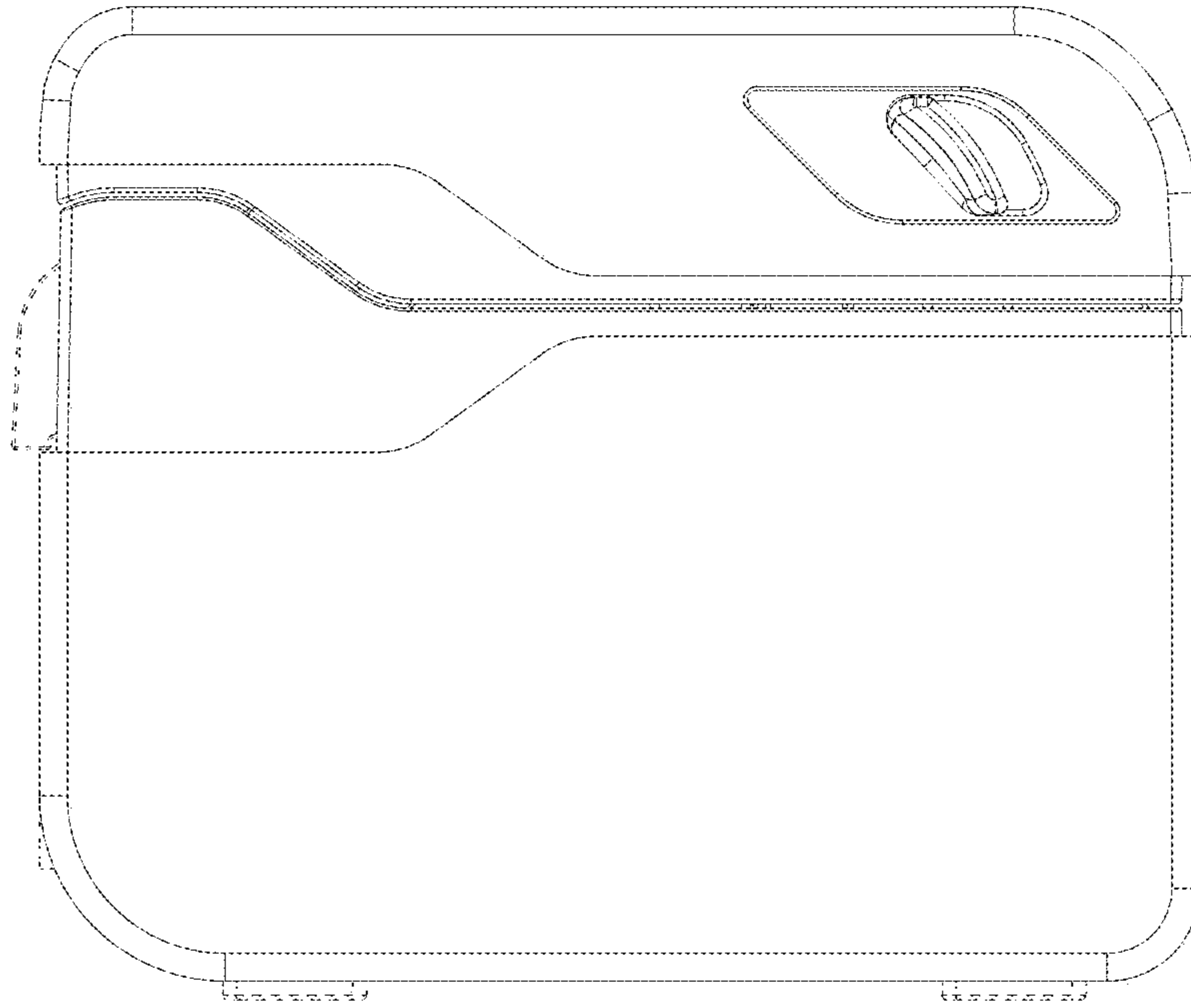


FIG. 3

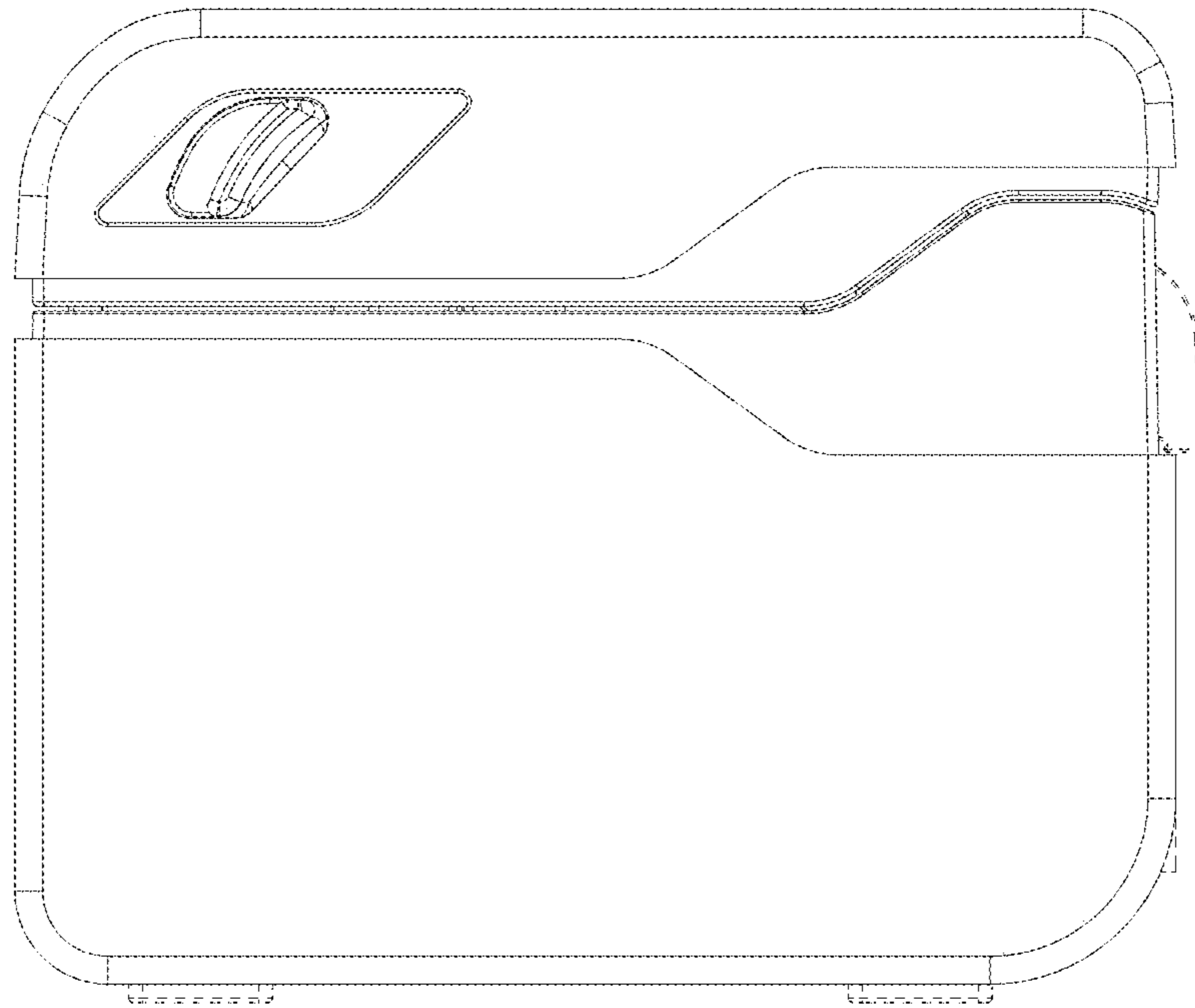


FIG. 4

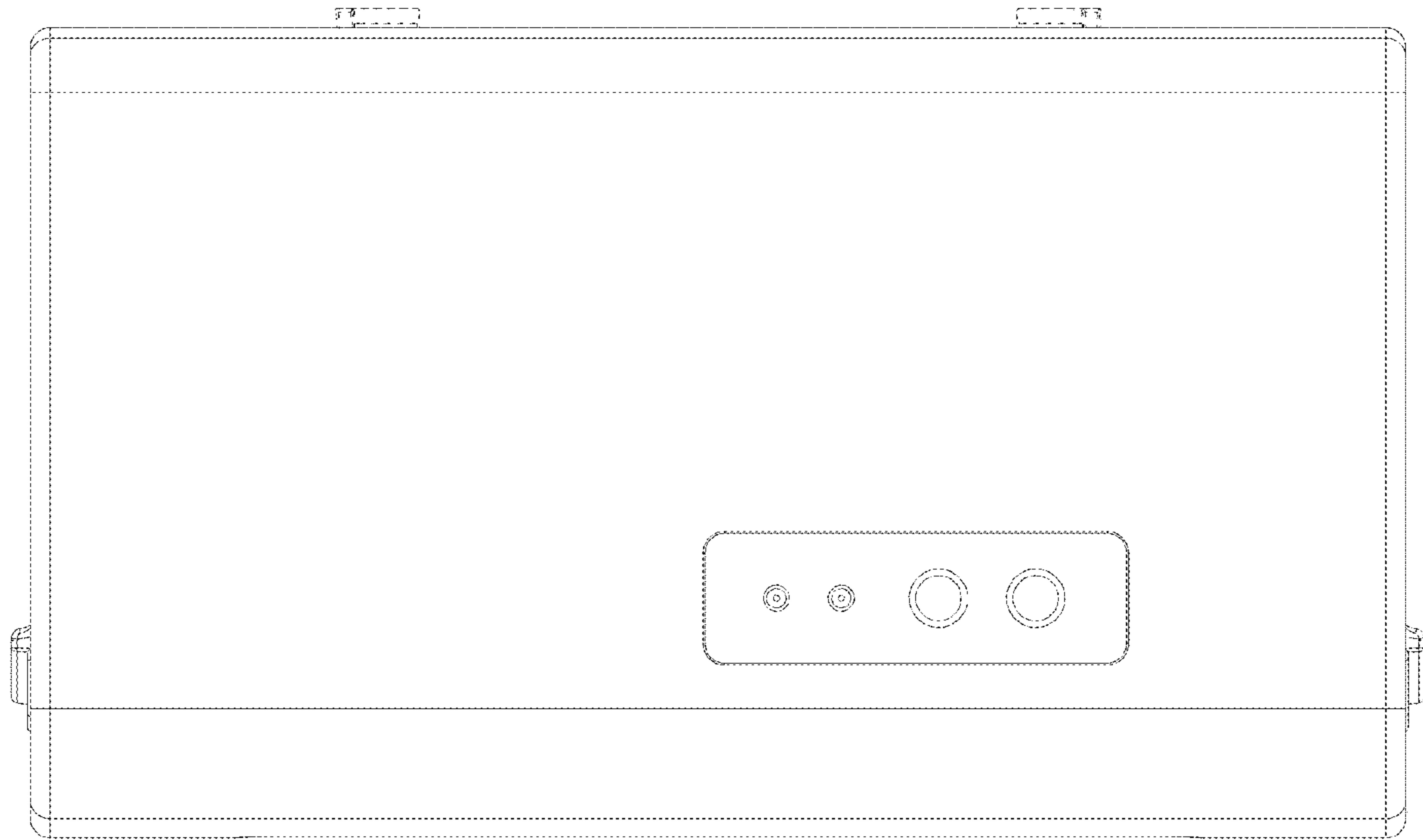


FIG. 5

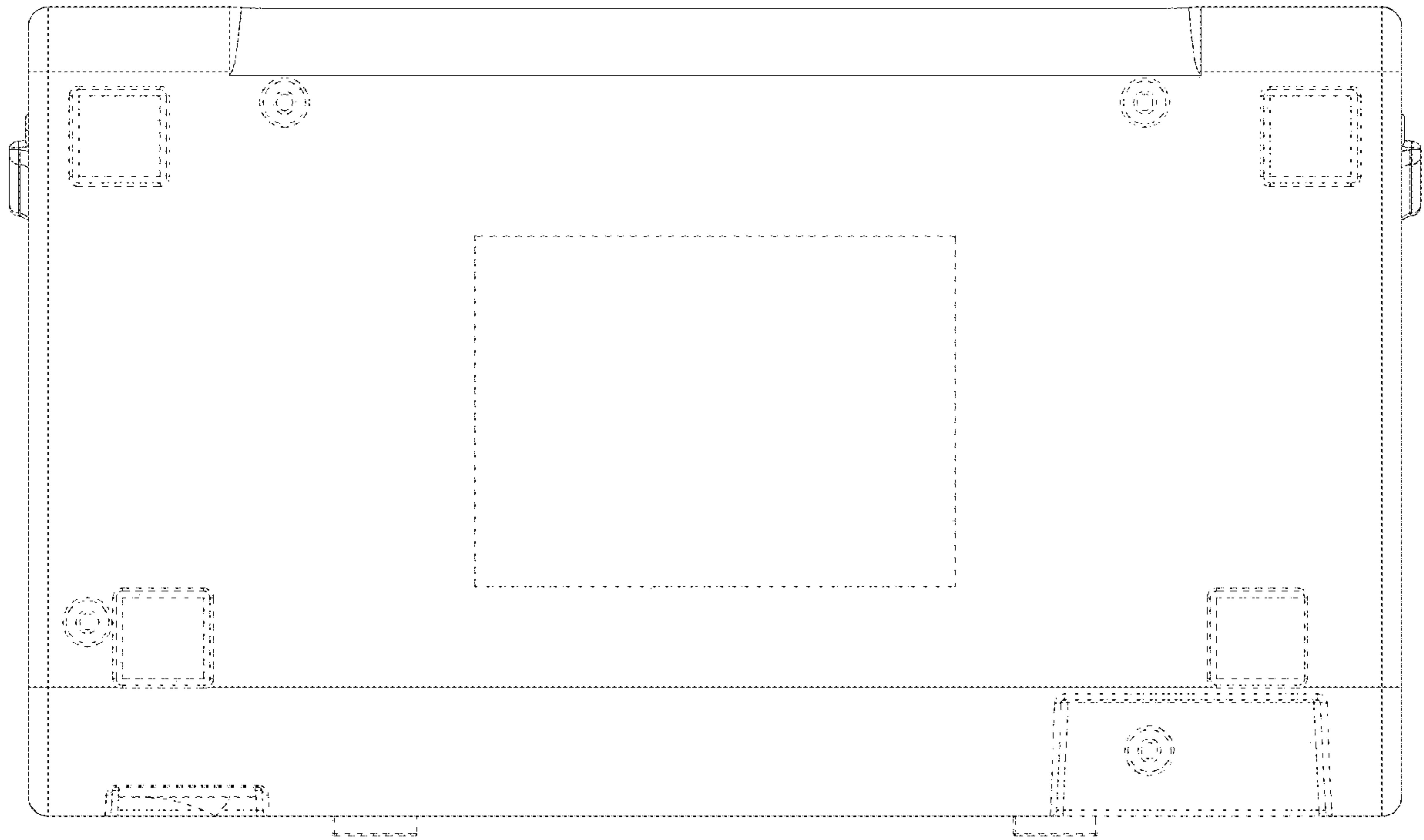


FIG. 6

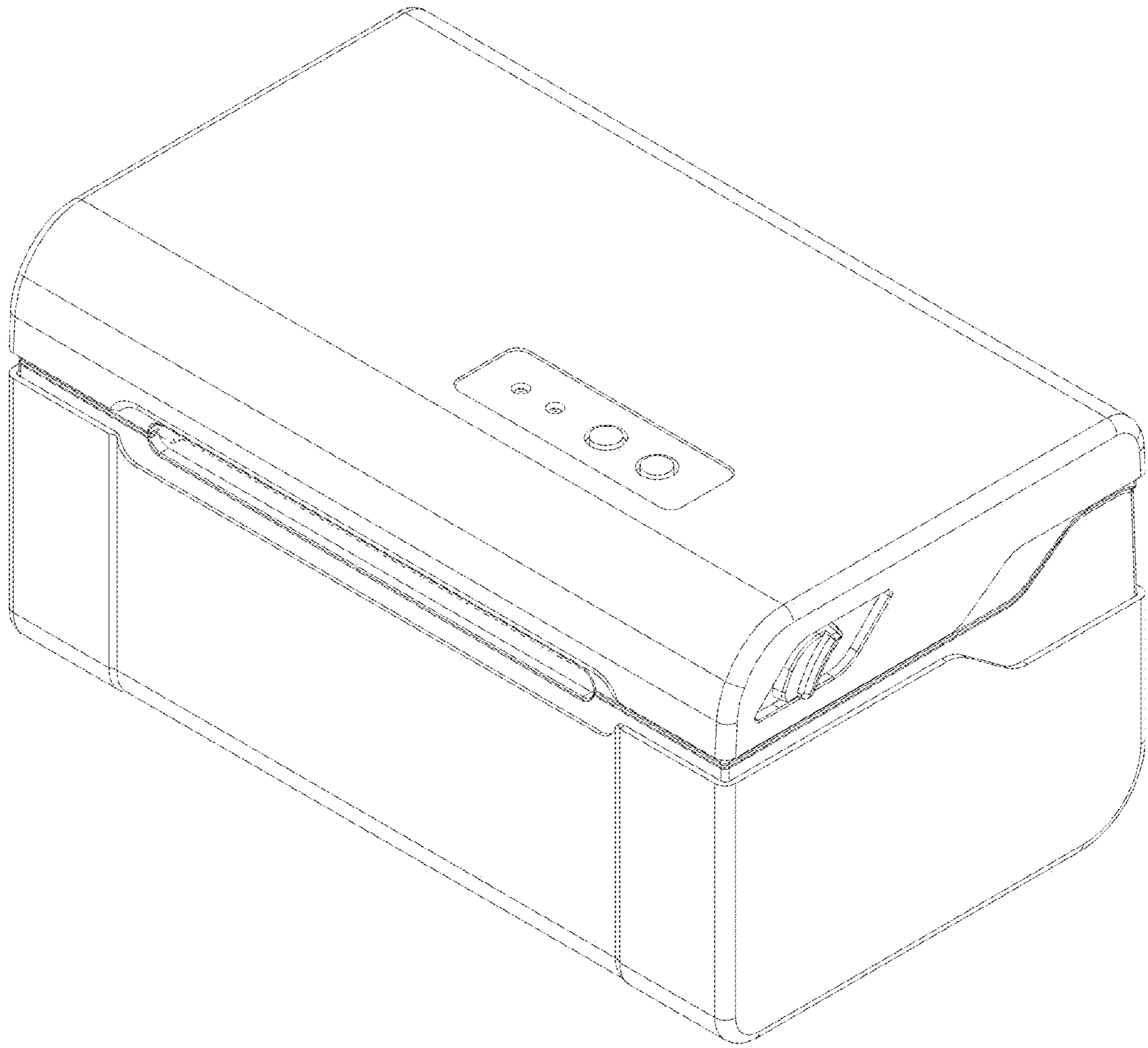


FIG. 7

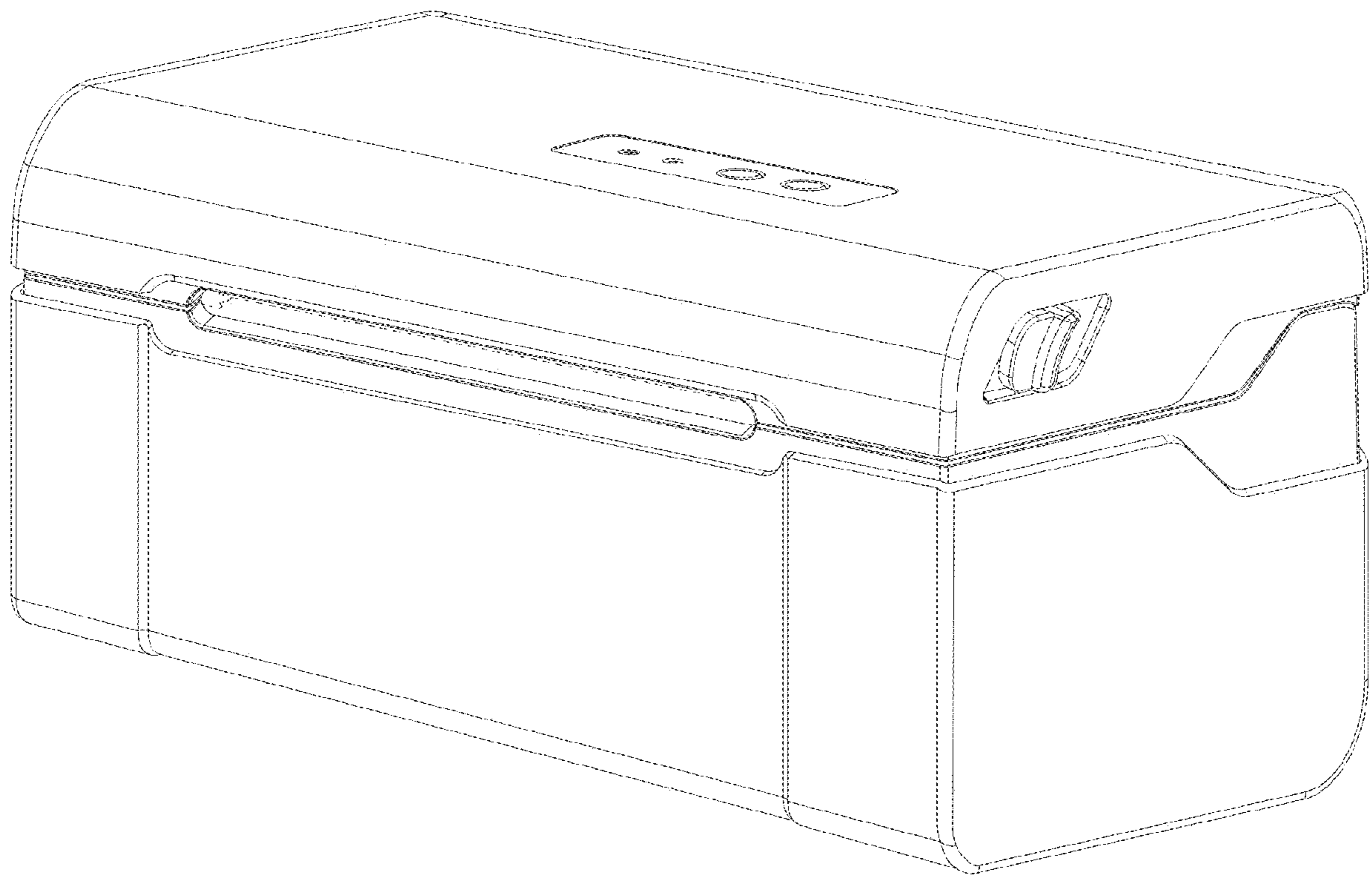


FIG. 8