



US00D956131S

(12) **United States Design Patent** (10) **Patent No.:** **US D956,131 S**  
**Ogawa et al.** (45) **Date of Patent:** **\*\* Jun. 28, 2022**

(54) **LABEL PRINTER CRADLE**  
(71) Applicant: **BROTHER INDUSTRIES, LTD.**,  
Nagoya (JP)  
(72) Inventors: **Takahiro Ogawa**, Nagoya (JP);  
**Kazuhisa Tashima**, Nagoya (JP);  
**Nobuyuki Iwai**, Agui-cho (JP)  
(73) Assignee: **BROTHER INDUSTRIES, LTD.**,  
Nagoya (JP)

D396,454 S \* 7/1998 Shima ..... D14/434  
D504,893 S \* 5/2005 Araki ..... D14/434  
D505,443 S \* 5/2005 Saldana ..... D18/40  
D540,373 S \* 4/2007 Kawaguchi ..... D18/14  
D551,699 S \* 9/2007 Henry ..... D18/14  
D818,036 S \* 5/2018 Ozawa ..... D18/19  
10,248,162 B1 \* 4/2019 Cheng ..... F16M 11/041  
10,348,026 B1 \* 7/2019 Cheng ..... H01R 13/447  
(Continued)

(\*\*) Term: **15 Years**

(21) Appl. No.: **29/783,726**

(22) Filed: **May 14, 2021**

(30) **Foreign Application Priority Data**

Nov. 24, 2020 (JP) ..... 2020-025225 D

(51) **LOC (13) Cl.** ..... **19-02**

(52) **U.S. Cl.**  
USPC ..... **D18/14**

(58) **Field of Classification Search**  
USPC ..... D18/14, 15, 16, 17, 18, 19, 36, 37, 38,  
D18/39, 40, 41, 45, 54, 55, 50, 53, 43,  
D18/56; D19/65, 66, 67, 68, 69, 70, 71;  
D14/301, 307, 121  
CPC ..... H04N 1/00204; H04N 1/00249; H04N  
1/00278; G06K 15/12; G06K 15/14; B41J  
3/00; B41J 3/28; B41J 3/445; B41J 3/46;  
B41J 11/0045; B41J 2/3358; B41J 3/36;  
B41J 3/382

See application file for complete search history.

(56) **References Cited**

**U.S. PATENT DOCUMENTS**

3,277,822 A \* 10/1966 Maul ..... B41L 19/00  
101/283  
D217,398 S \* 4/1970 Barbour ..... D18/14  
D261,152 S \* 10/1981 Barbour ..... D18/14

**FOREIGN PATENT DOCUMENTS**

EP 2073984 B1 \* 2/2014 ..... B41J 2/16535  
EP 3587119 A1 \* 1/2020 ..... B41J 2/16508  
SG 20042157D-0001 \* 12/2009

**OTHER PUBLICATIONS**

Amazon. Link: <https://www.amazon.com/Brother-RJ4200-Series-Dock-Station/dp/B07F89J36V>. Jul. 4, 2018. Brother RJ4200 Series Dock Station. (Year: 2018).\*

(Continued)

*Primary Examiner* — Lauren D Mcvey  
(74) *Attorney, Agent, or Firm* — Oliff PLC

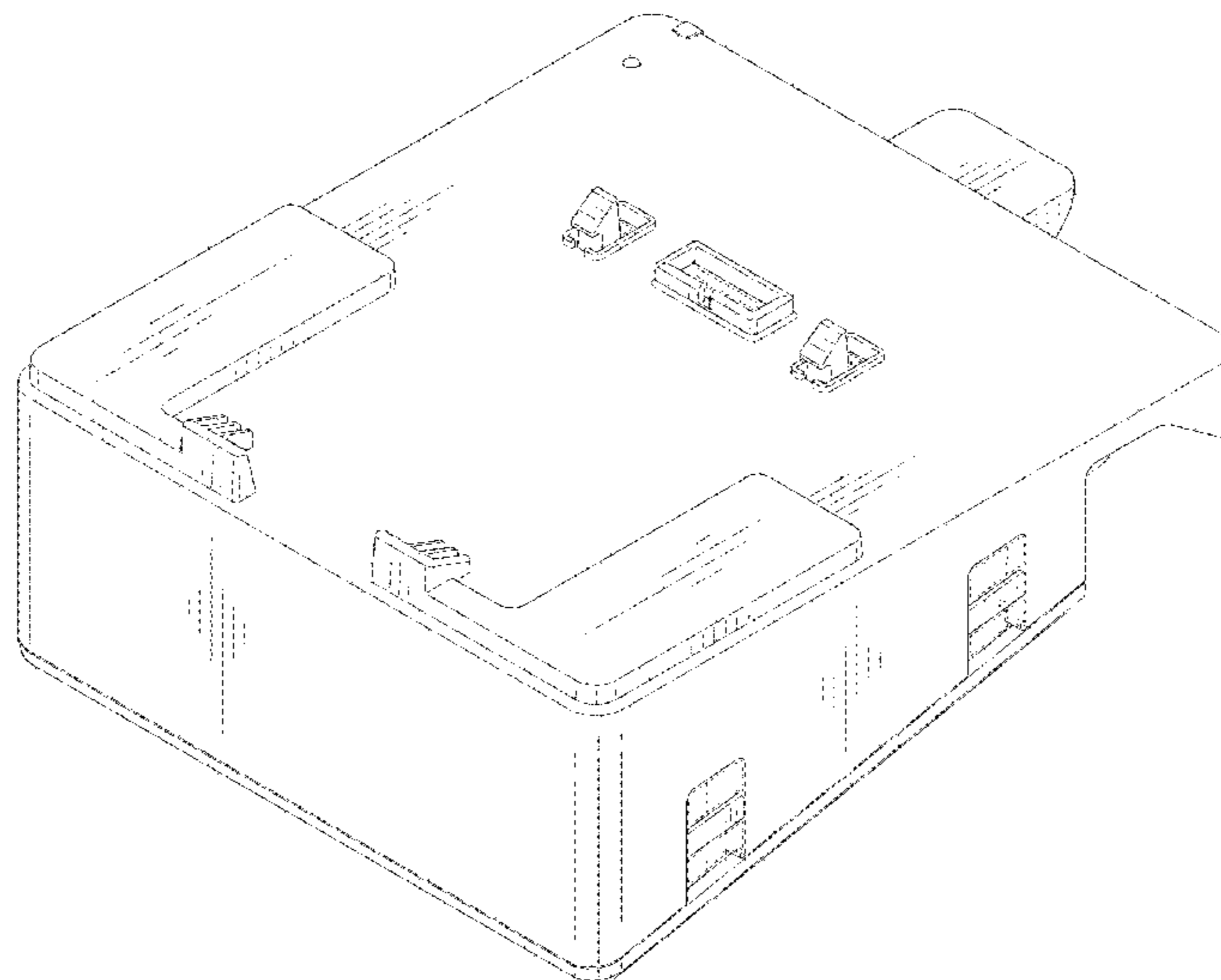
(57) **CLAIM**

The ornamental design for a label printer cradle, as shown and described.

**DESCRIPTION**

FIG. 1 is a perspective view of a label printer cradle, showing the new design;  
FIG. 2 is a front elevational view thereof;  
FIG. 3 is a rear elevational view thereof;  
FIG. 4 is a left-side elevational view thereof;  
FIG. 5 is a right-side elevational view thereof;  
FIG. 6 is a top plan view thereof; and,  
FIG. 7 is a bottom plan view thereof.  
The broken lines depict parts of the label printer cradle that form no part of the claimed design.

**1 Claim, 6 Drawing Sheets**



(56)

**References Cited**

U.S. PATENT DOCUMENTS

D865,769 S \* 11/2019 Lu ..... D14/434  
2016/0236493 A1 \* 8/2016 Lyman ..... B41J 29/06

OTHER PUBLICATIONS

Brother. Link: <https://brothermobilesolutions.com/wp-content/uploads/2020/08/mount-carrying-catalog-2020.pdf>. Aug. 2020 Printer mount carrying catalog. (Year: 2020).\*

\* cited by examiner

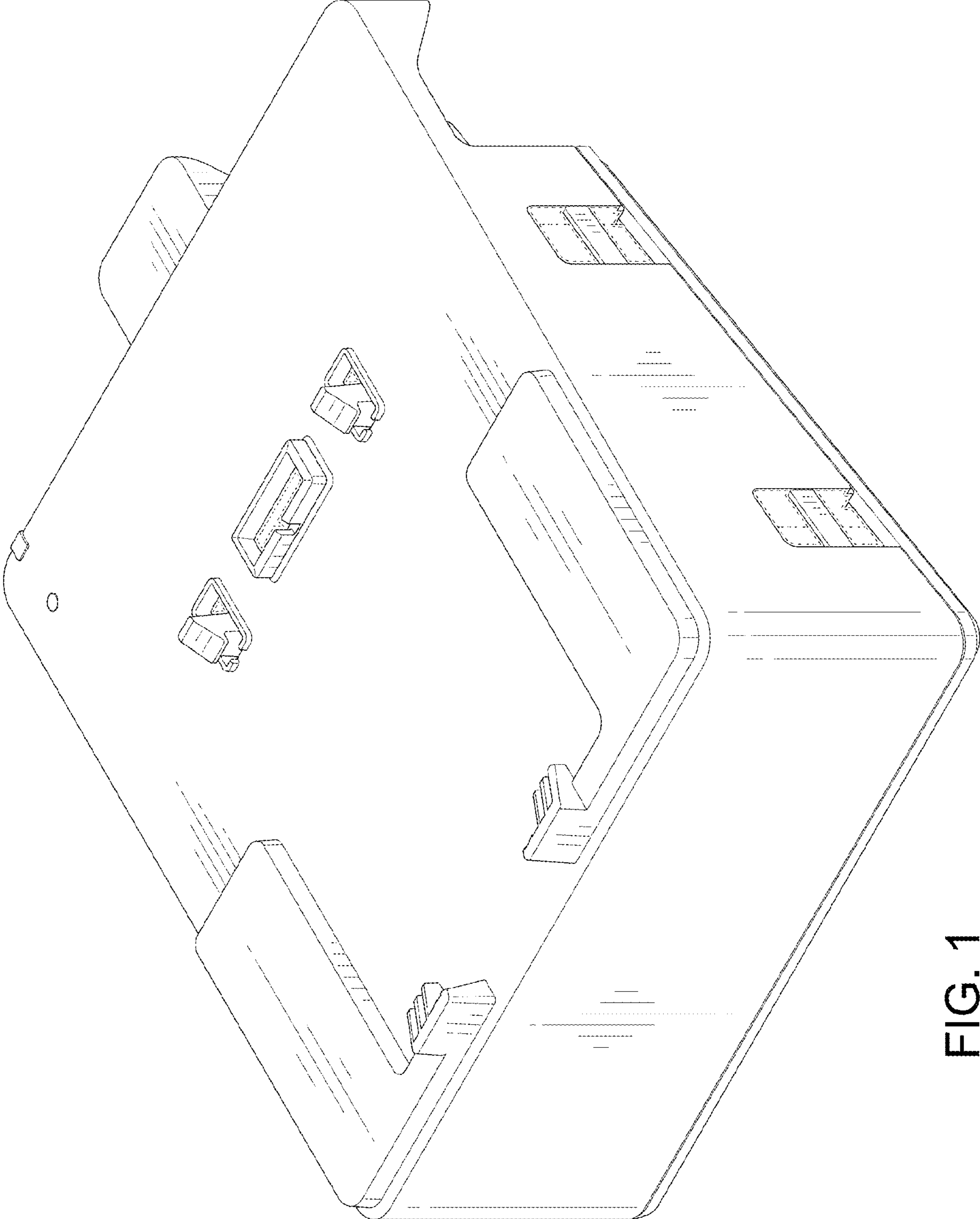


FIG. 1

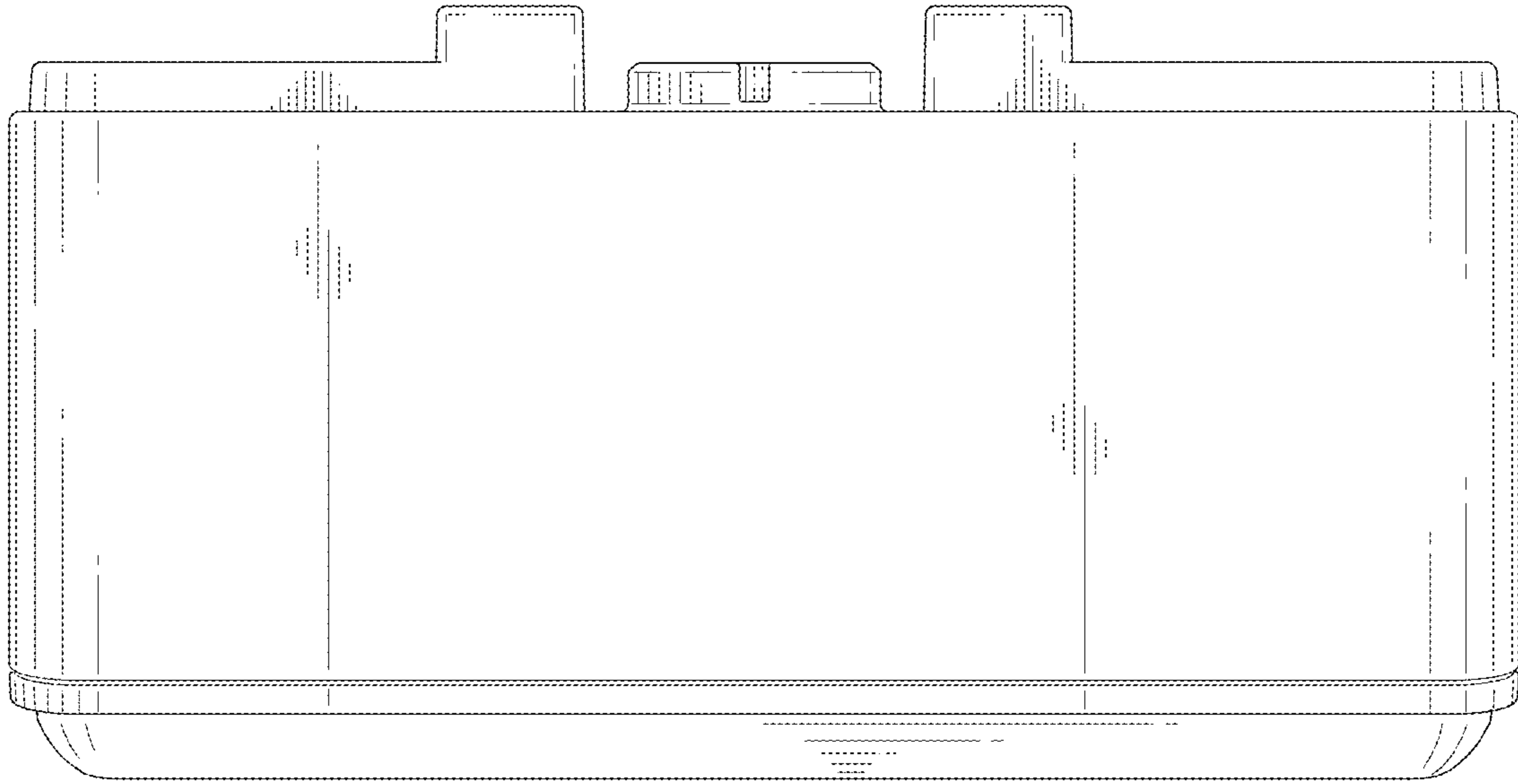


FIG. 2

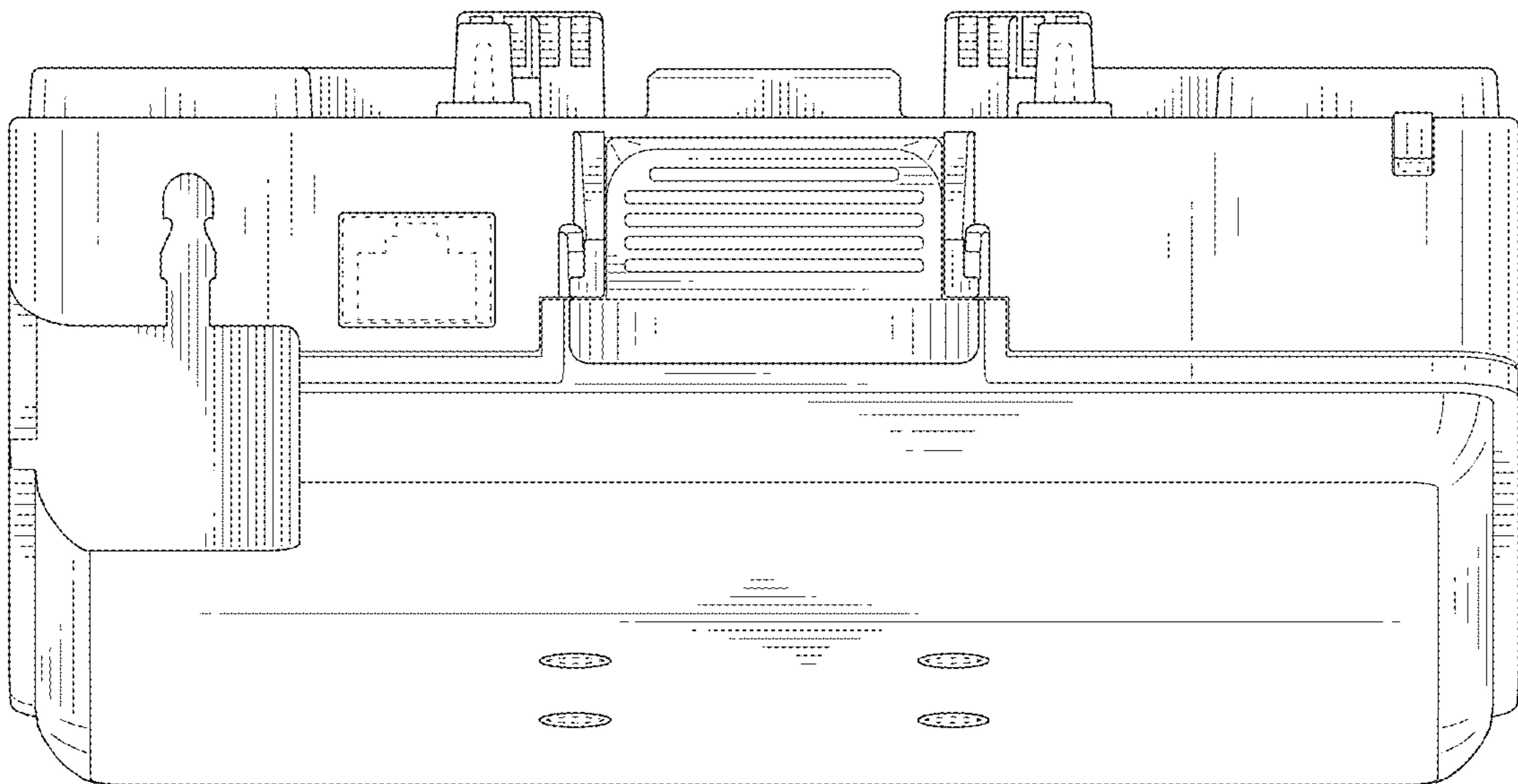


FIG. 3

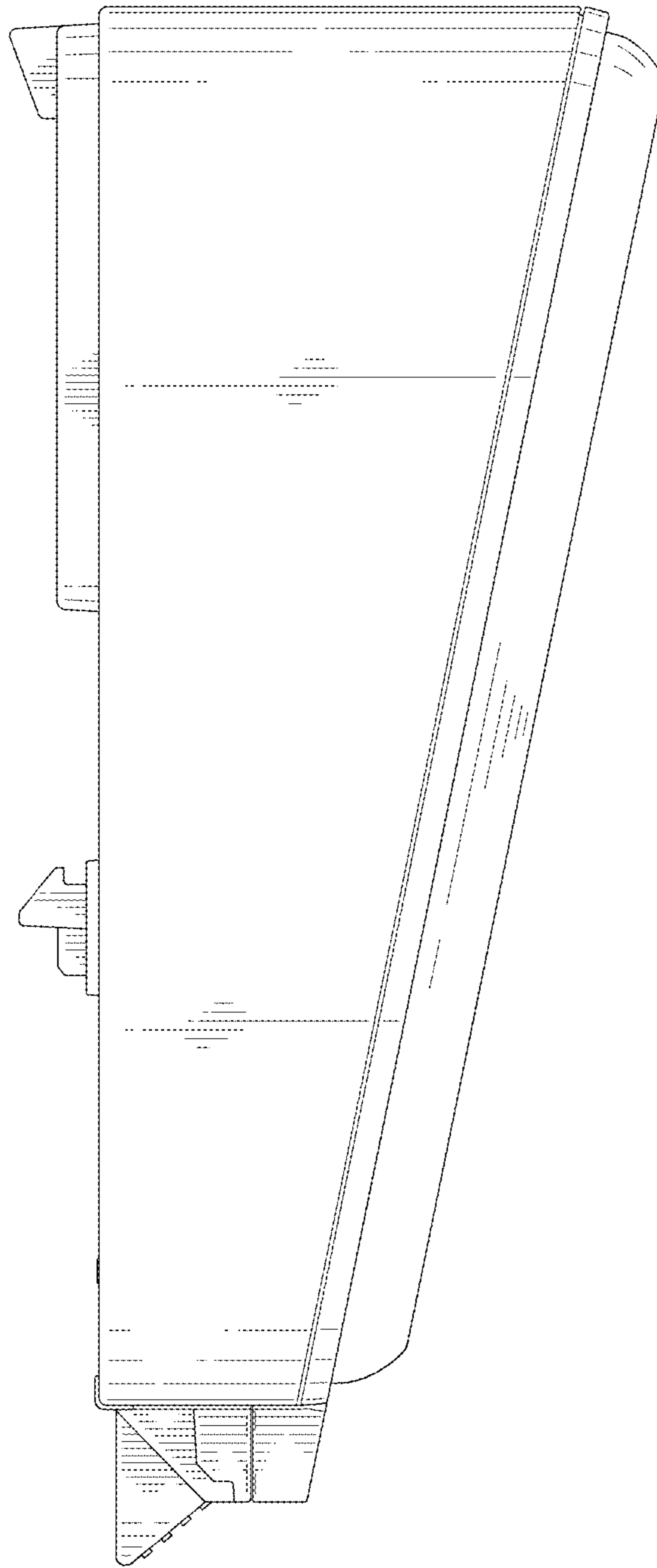


FIG. 4

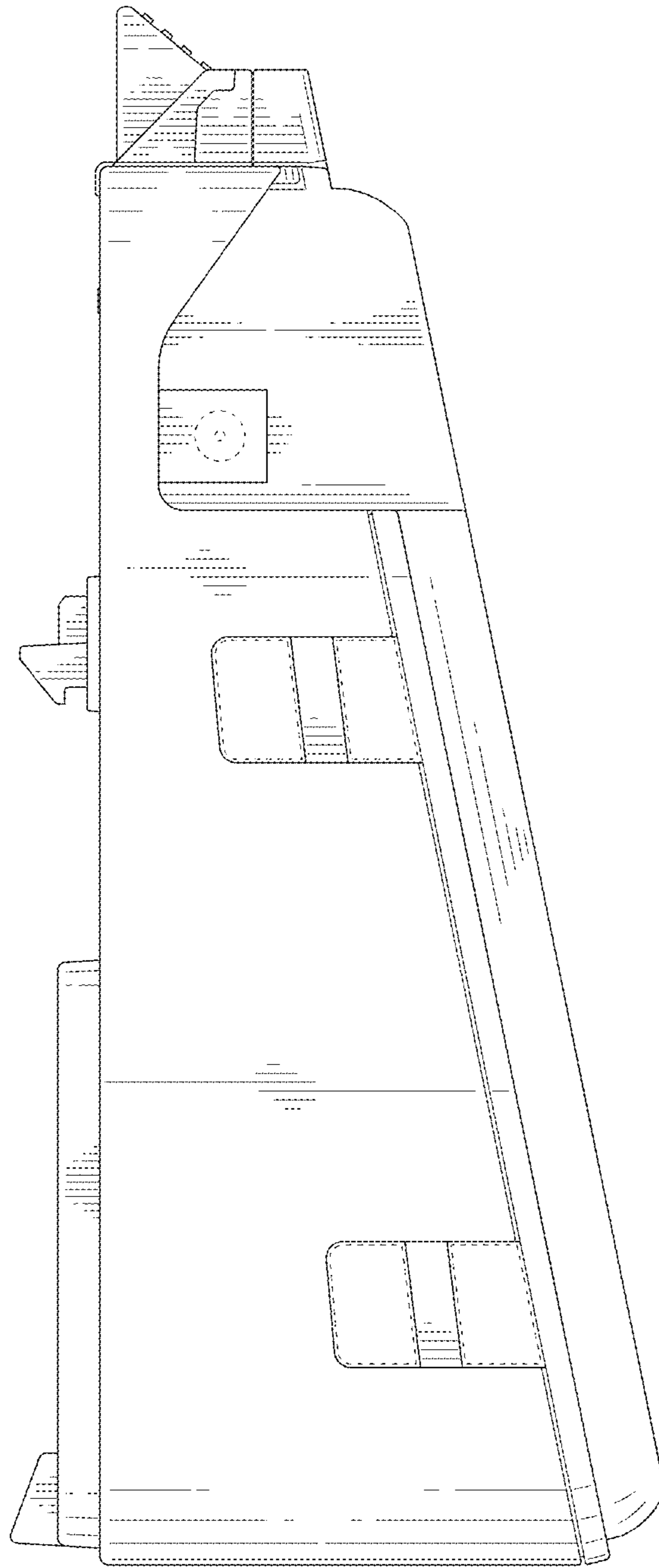


FIG. 5

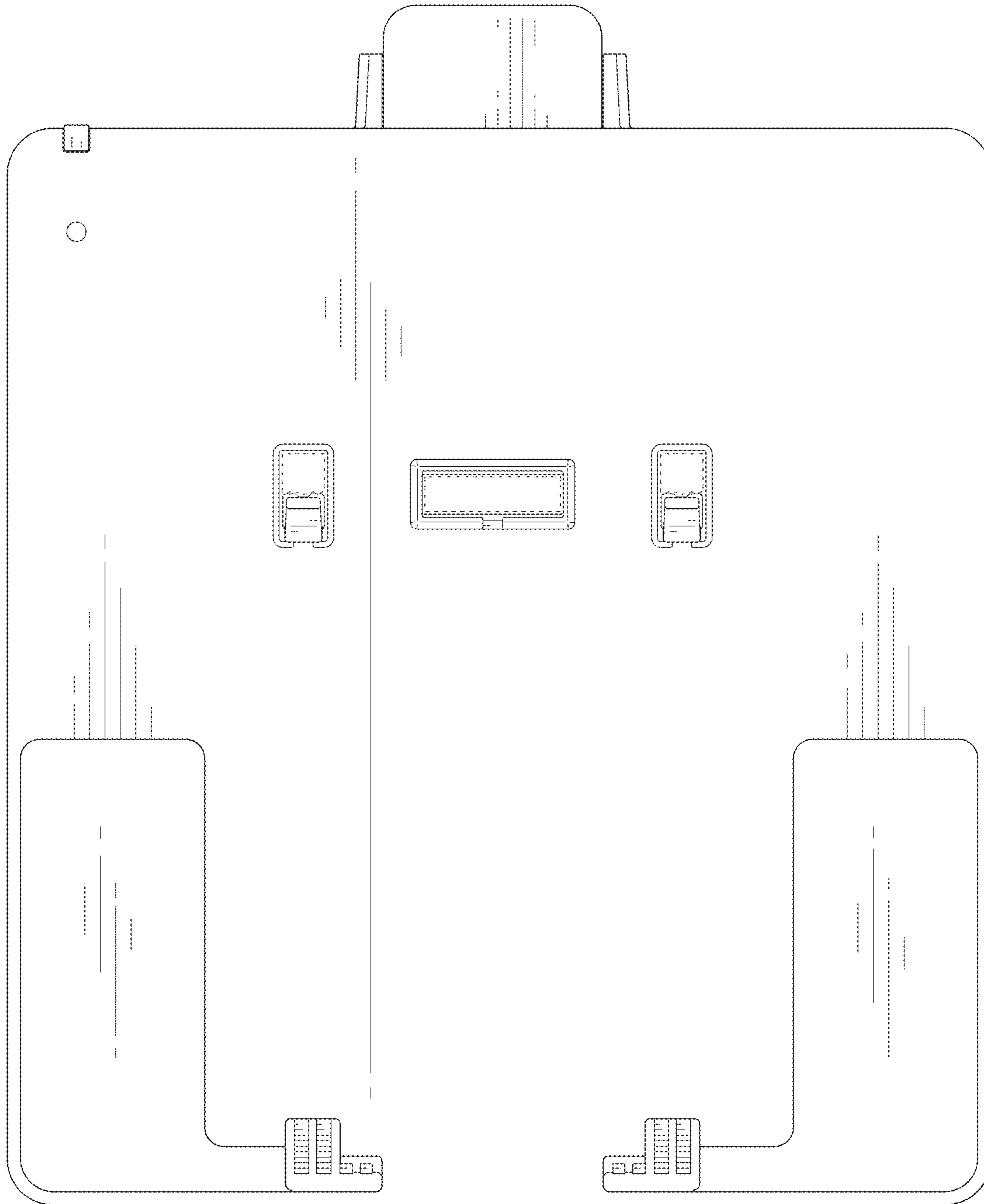


FIG. 6

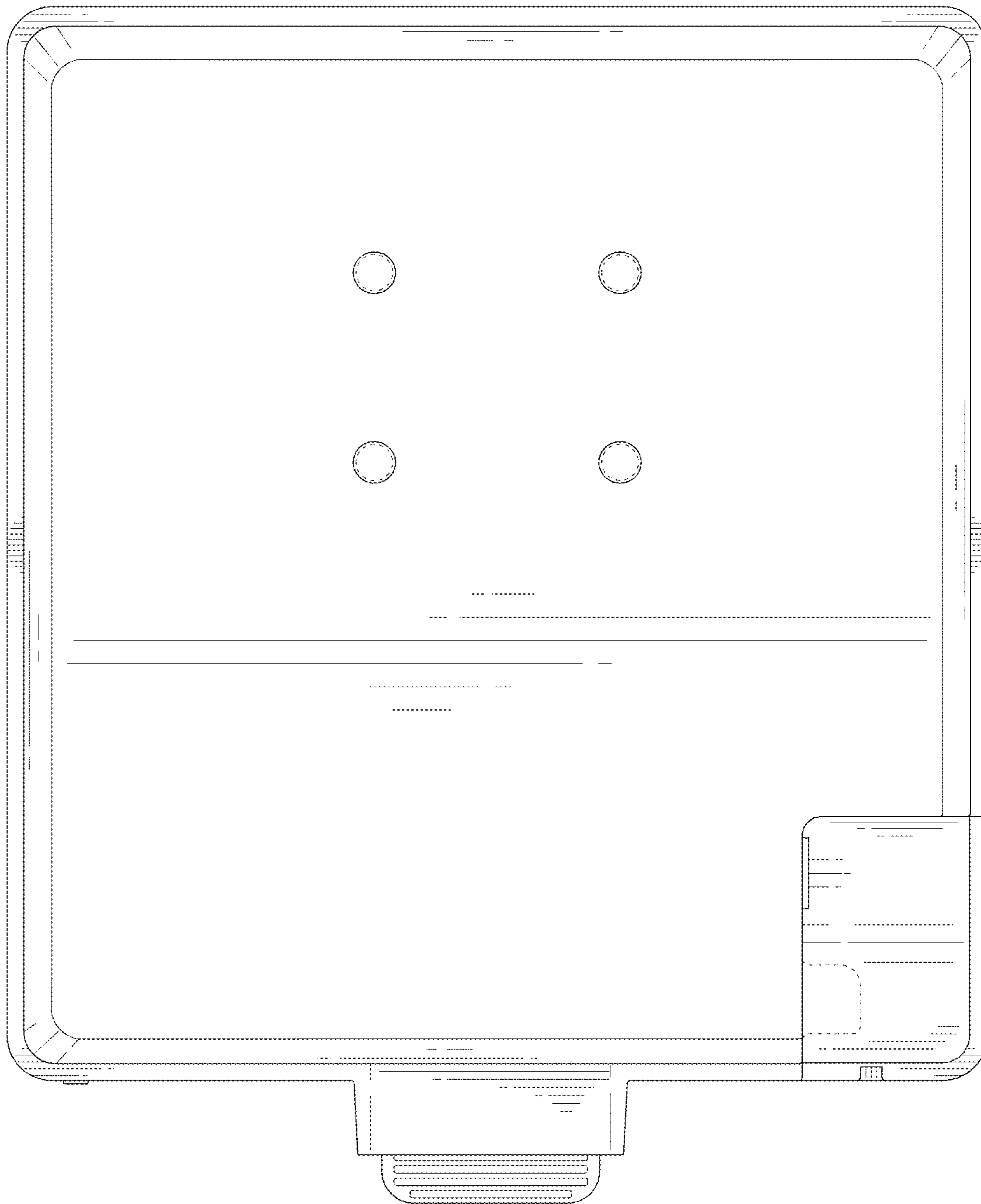


FIG. 7