



US00D956128S

(12) **United States Design Patent**  
**Lin**

(10) **Patent No.:** **US D956,128 S**  
(45) **Date of Patent:** **\*\* Jun. 28, 2022**

(54) **TRIPOD**

(71) Applicant: **YUEQING YOUYOU  
E-COMMERCE CO., LTD.**, Yueqing  
(CN)

(72) Inventor: **Dongdong Lin**, Yueqing (CN)

(73) Assignee: **YUEQING YOUYOU  
E-COMMERCE CO., LTD.**, Yueqing  
(CN)

(\*\*) Term: **15 Years**

(21) Appl. No.: **29/767,386**

(22) Filed: **Jan. 22, 2021**

(51) **LOC (13) Cl.** ..... **16-05**

(52) **U.S. Cl.**  
USPC ..... **D16/244**

(58) **Field of Classification Search**  
USPC ..... D8/354, 355, 363, 373, 382, 383, 394;  
D14/224; D16/219, 237-241, 243, 242,  
D16/244, 245-250  
CPC ..... F16M 11/14; F16M 11/16; F16M 11/242;  
F16M 11/32; F16M 11/38; G03B 17/54;  
G03B 17/561; G02B 7/00-002  
See application file for complete search history.

(56) **References Cited**

**U.S. PATENT DOCUMENTS**

D607,037 S *	12/2009	Lee	.....	D16/244
9,383,632 B2 *	7/2016	Speggiorin	.....	F16M 13/00
D807,421 S *	1/2018	Yin	.....	D16/244
D860,299 S *	9/2019	Li	.....	D16/244
D864,282 S *	10/2019	Liu	.....	D16/244
D888,814 S *	6/2020	Chen	.....	D16/244

(Continued)

**OTHER PUBLICATIONS**

Leupold Pro guide, [https://shop.opticsplanet.com/leupold-pro-guide-cf-436-tripod-kits.html?\\_iv\\_code=LU-TR-LEU247-180379&gclsrc=aw.ds&gclid=](https://shop.opticsplanet.com/leupold-pro-guide-cf-436-tripod-kits.html?_iv_code=LU-TR-LEU247-180379&gclsrc=aw.ds&gclid=)

EAlalQobChMlgeDfo9Kq9wlVDbbICh3niQYgEAQYCyABEgJtyvD\_BwE, retrieved Apr. 23, 2022 (Year: 2022).\*

*Primary Examiner* — Richard Kearney  
*Assistant Examiner* — Benjamin M Weeks

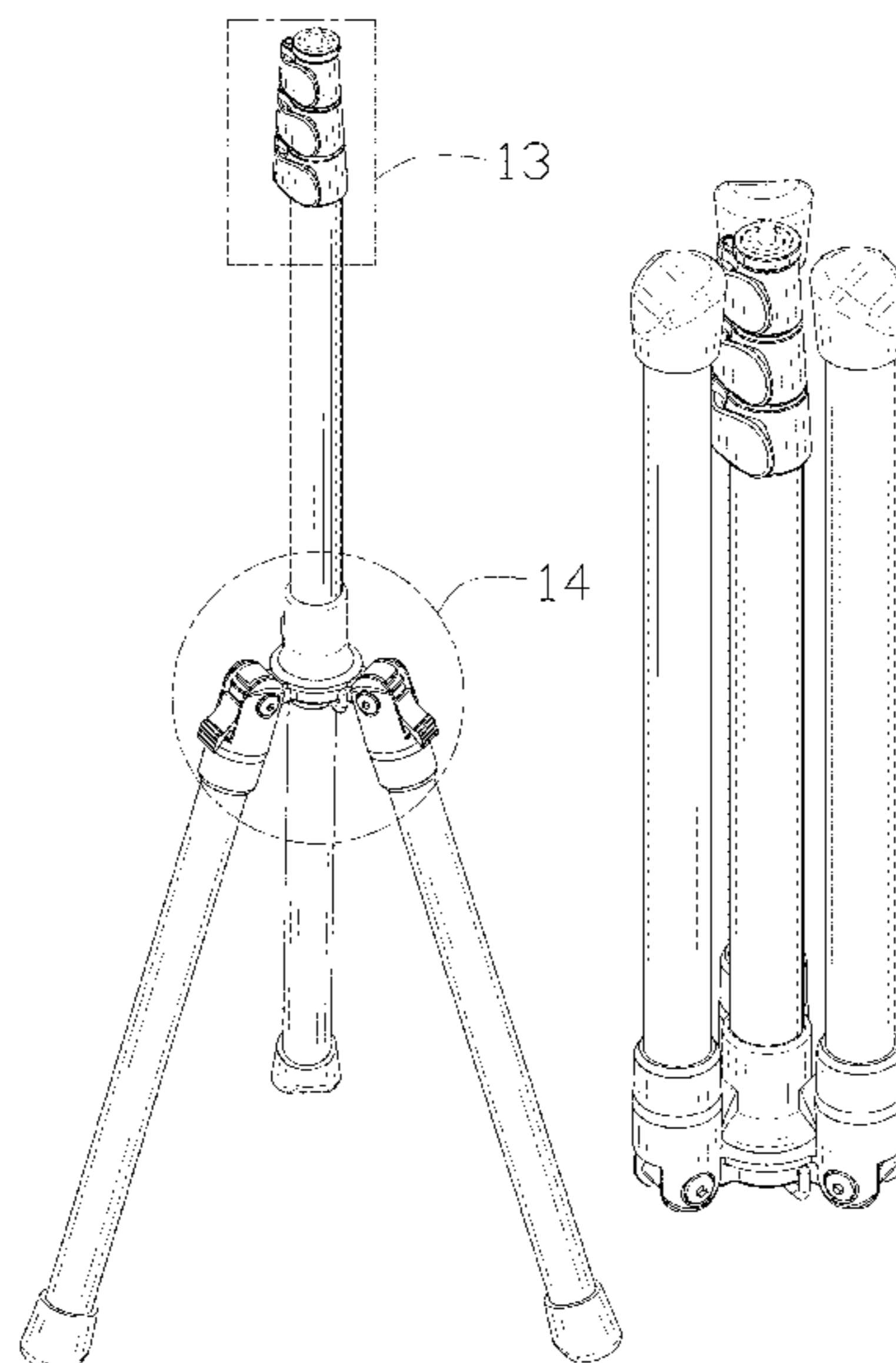
(57) **CLAIM**

The ornamental design for a tripod, as shown and described.

**DESCRIPTION**

FIG. 1 is a perspective view of a tripod showing my new design;  
FIG. 2 is another perspective view thereof;  
FIG. 3 is a front elevational view thereof;  
FIG. 4 is a rear elevational view thereof;  
FIG. 5 is a left side elevational view thereof;  
FIG. 6 is a right side elevational view thereof;  
FIG. 7 is a top plan view thereof;  
FIG. 8 is a bottom plan view thereof;  
FIG. 9 is a perspective view of the tripod where the tripod is in a folded state;  
FIG. 10 is a perspective view of the tripod where the tripod is in a first configuration of use;  
FIG. 11 is a perspective view of the tripod where the tripod is in a second configuration of use;  
FIG. 12 is a perspective view of the tripod where the tripod is in a third configuration of use;  
FIG. 13 is an enlarged view of portion 13 shown in FIG. 1;  
FIG. 14 is an enlarged view of portion 14 shown in FIG. 1;  
FIG. 15 is an enlarged view of portion 15 shown in FIG. 2;  
and,  
FIG. 16 is an enlarged view of portion 16 shown in FIG. 2.  
The broken lines shown in the drawings depict portions of the tripod in which the design is embodied and form no part of the claimed design. The long dash-short dash broken lines depict areas of enlargement and form no part of the claimed design.

**1 Claim, 16 Drawing Sheets**



(56)

**References Cited**

## U.S. PATENT DOCUMENTS

D895,716	S *	9/2020	Chen	.....	D16/244
D909,456	S *	2/2021	Xiao	.....	D16/244
D917,604	S *	4/2021	Zeng	.....	D16/244
D920,421	S *	5/2021	Li	.....	D16/244
D930,734	S *	9/2021	Li	.....	D16/244
11,221,544	B1 *	1/2022	York	.....	F16M 11/24
D944,883	S *	3/2022	Li	.....	D16/244
2010/0019109	A1 *	1/2010	Liu	.....	F16M 11/16
					248/188
2011/0260016	A1 *	10/2011	Johnson	.....	F16M 11/32
					248/220.21
2015/0076296	A1 *	3/2015	Yang	.....	F16M 11/32
					248/163.2
2015/0338017	A1 *	11/2015	De Faveri	.....	F16M 11/24
					396/428
2019/0003635	A1 *	1/2019	Li	.....	F16M 11/242
2020/0292124	A1 *	9/2020	Li	.....	F16M 11/16
2021/0400175	A1 *	12/2021	Dunn	.....	F16M 11/34

\* cited by examiner

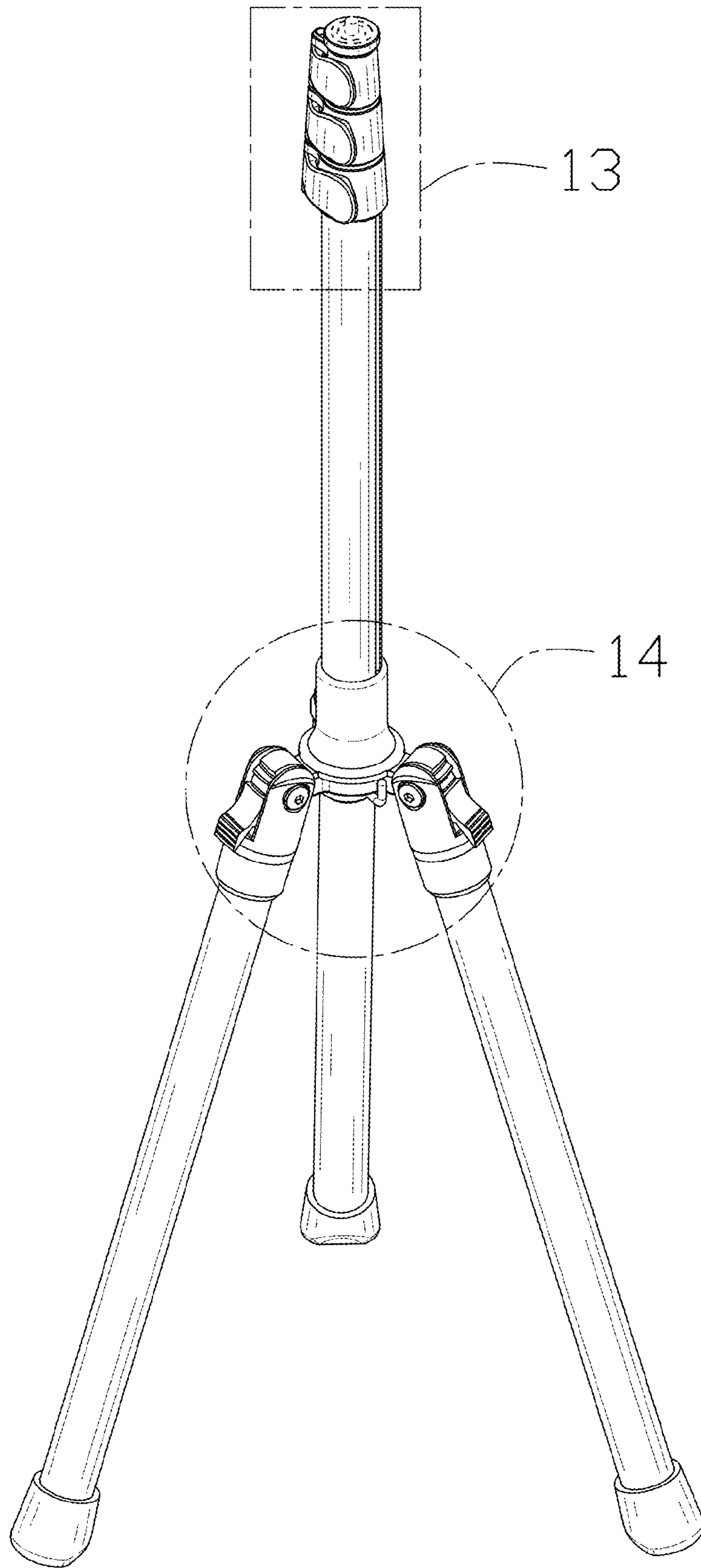


FIG. 1

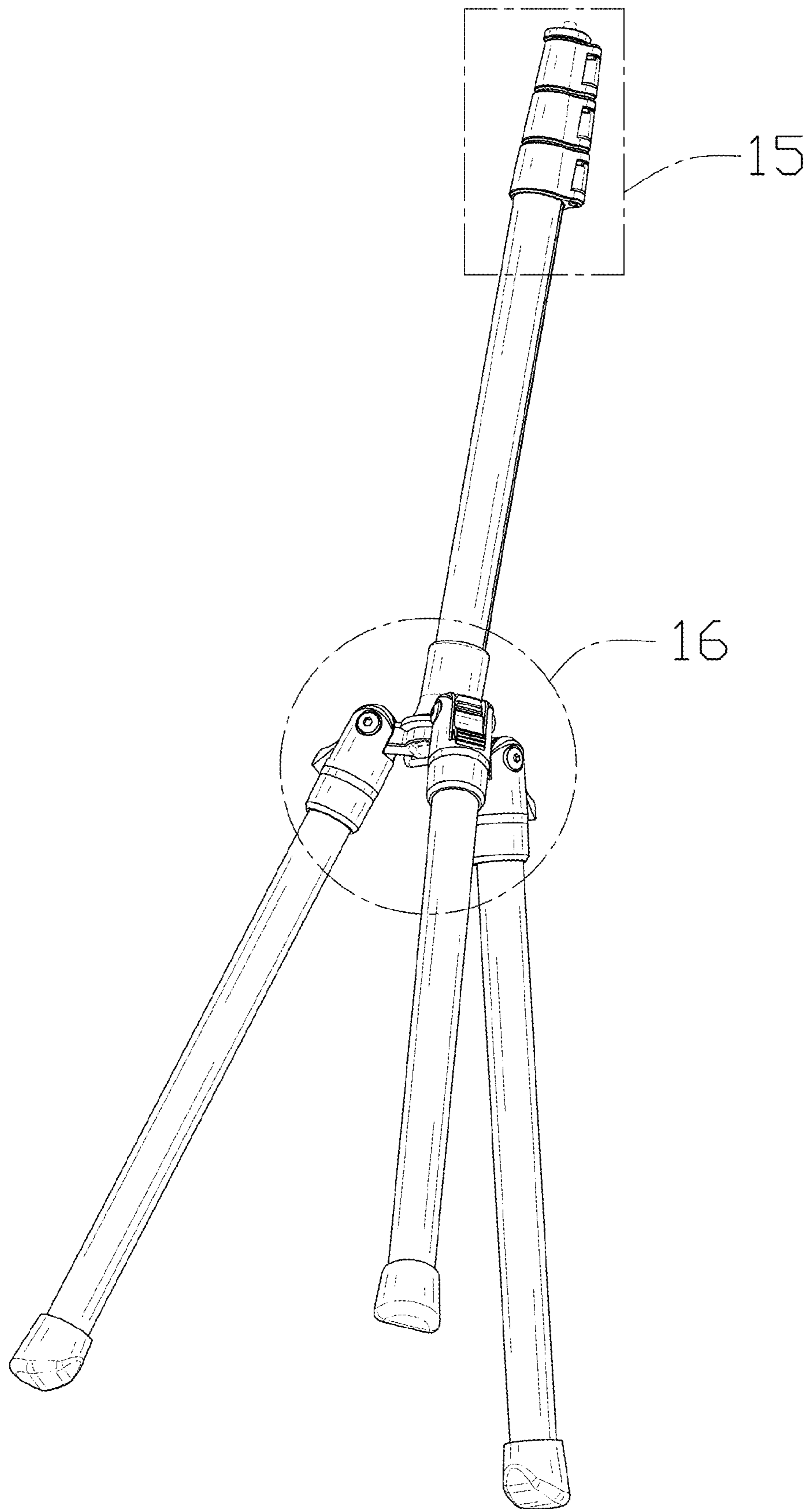


FIG. 2

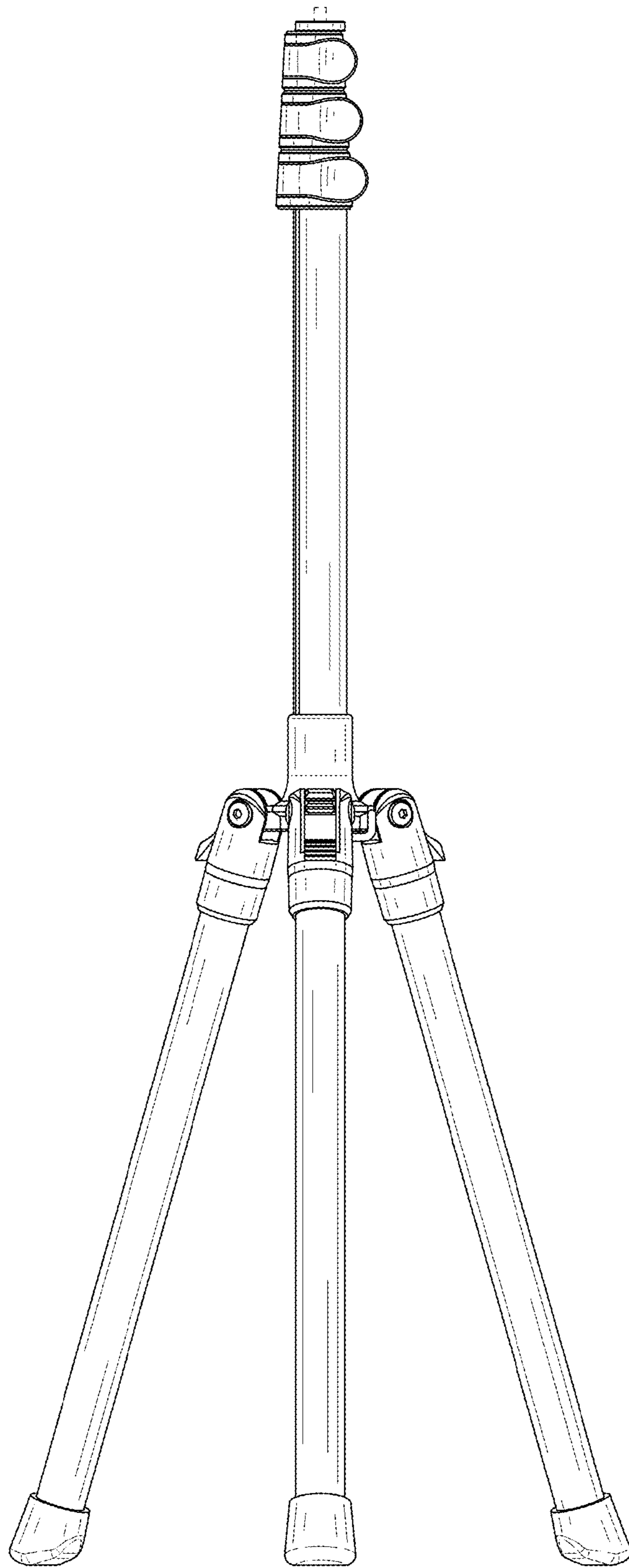


FIG. 3

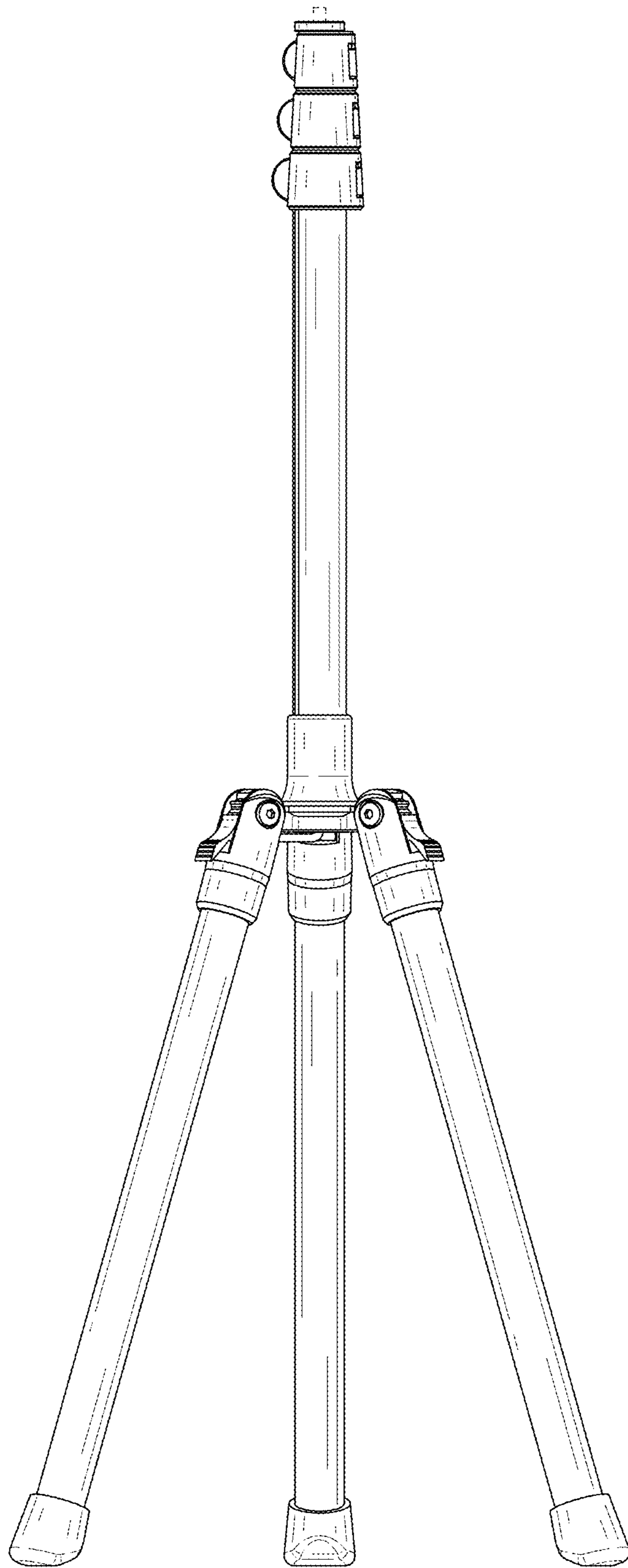


FIG. 4

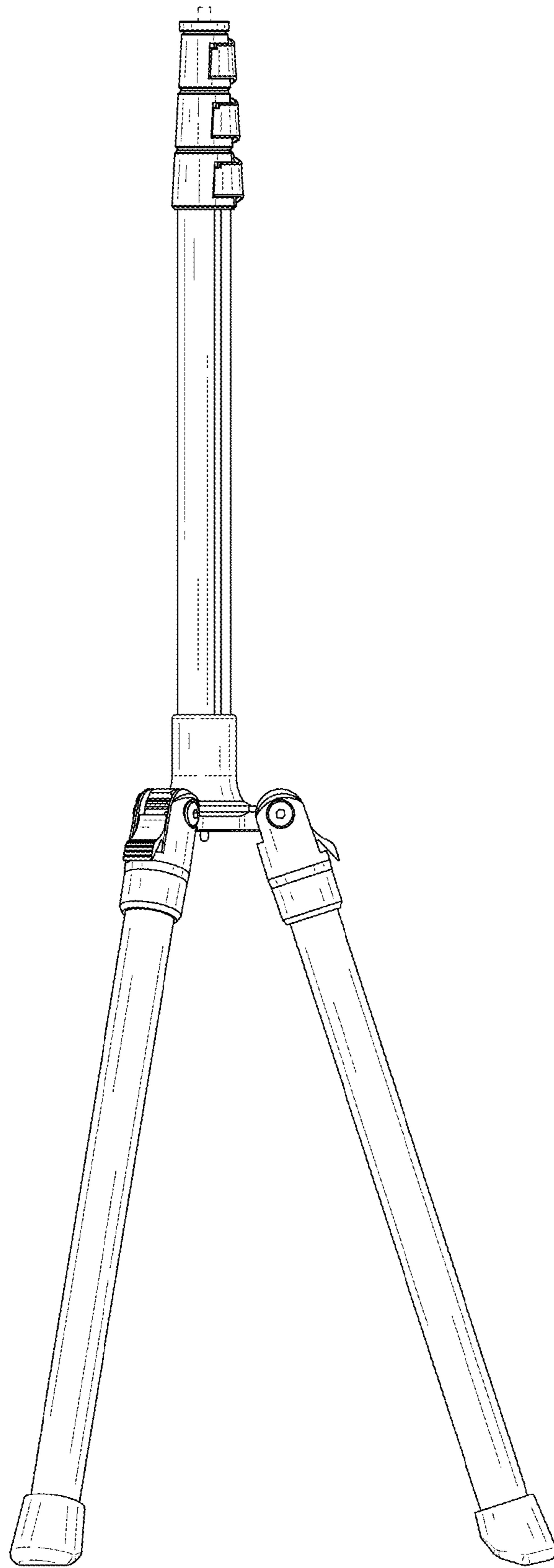


FIG. 5

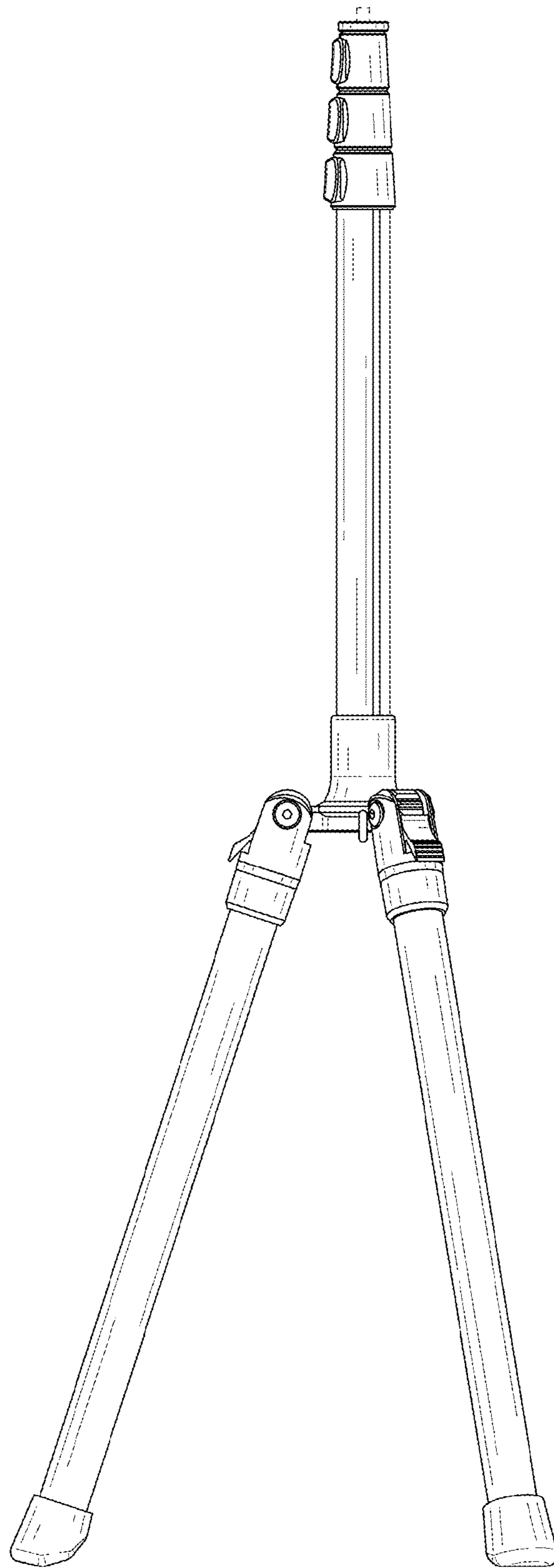


FIG. 6



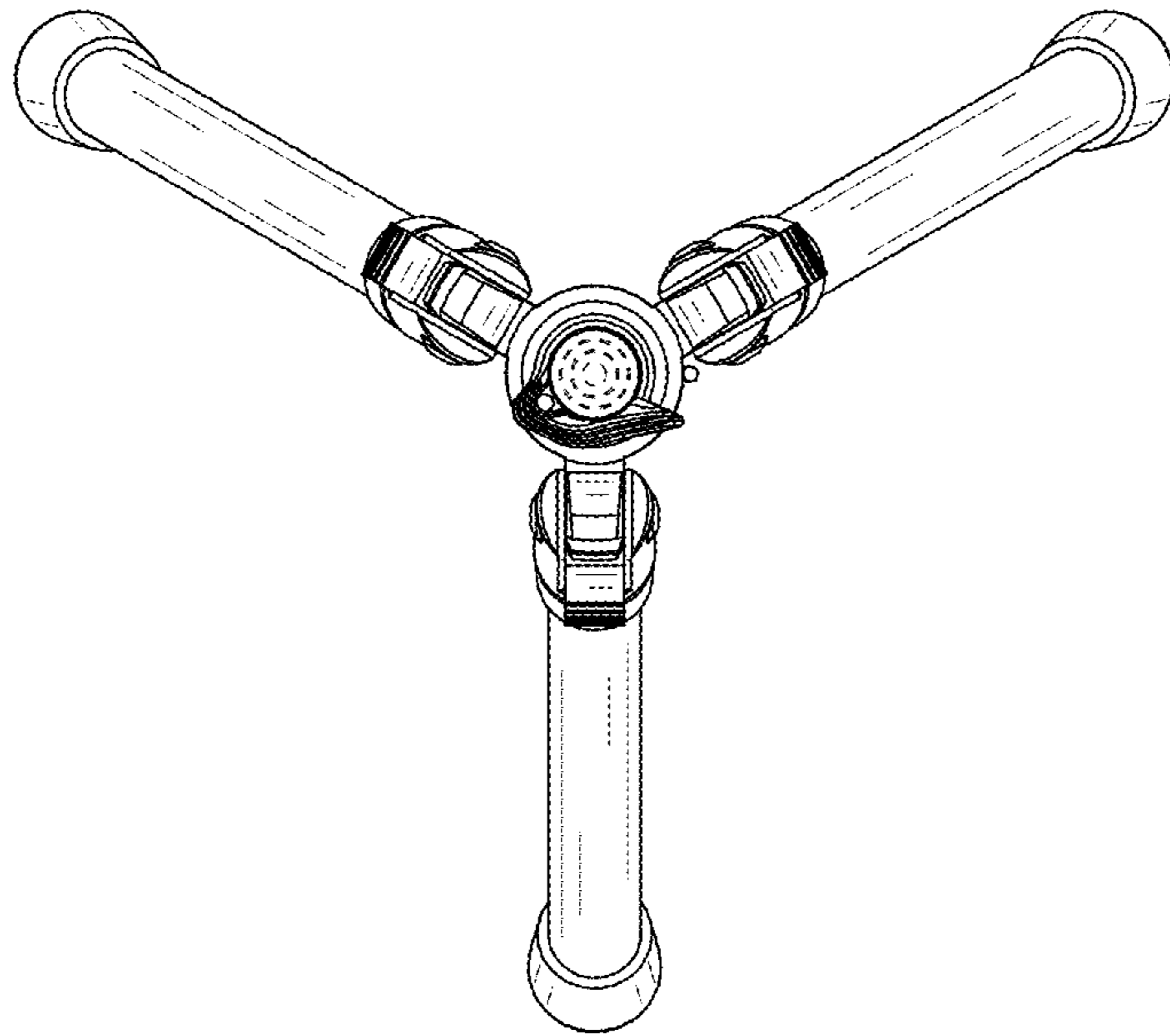


FIG. 7

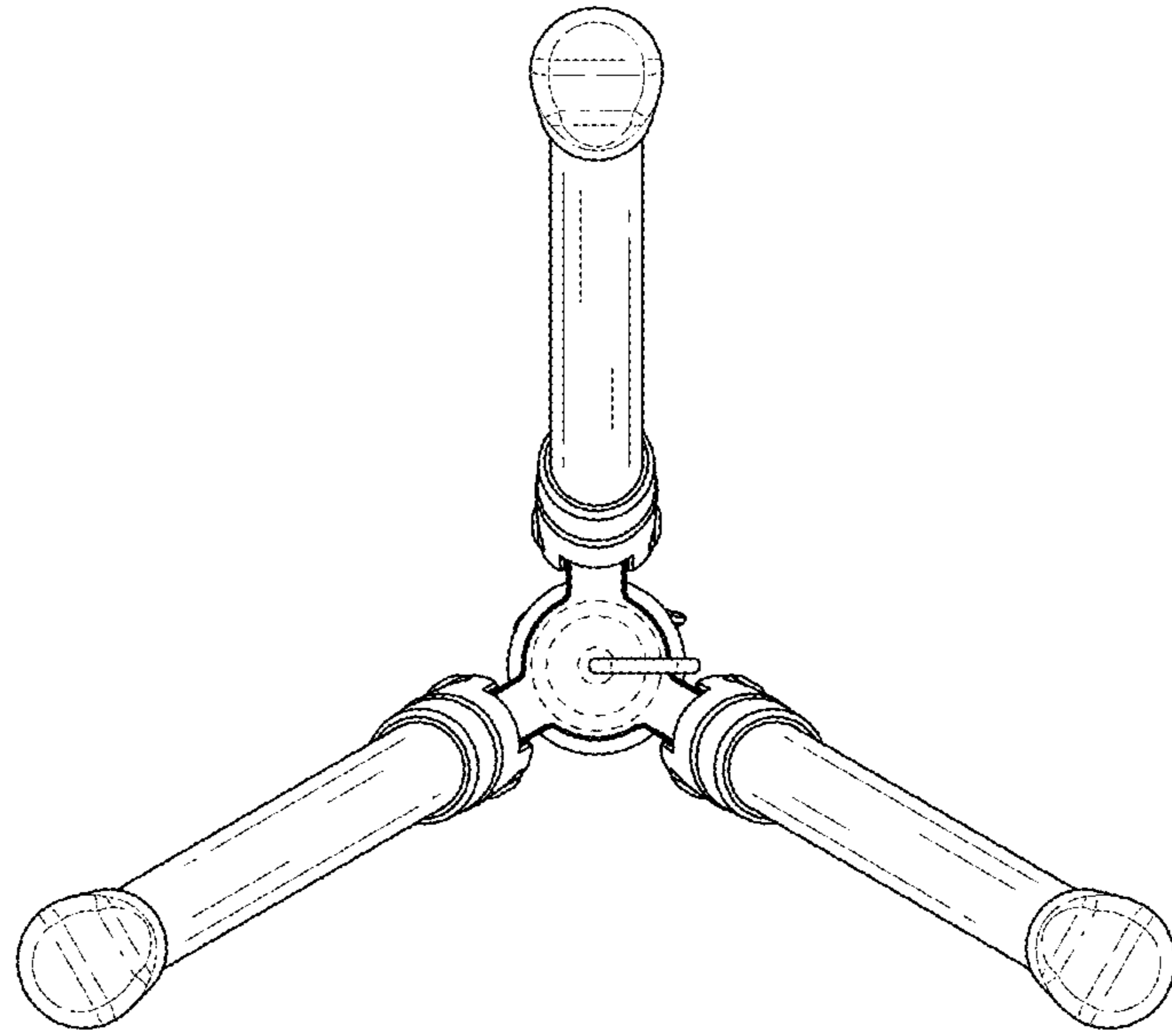


FIG. 8

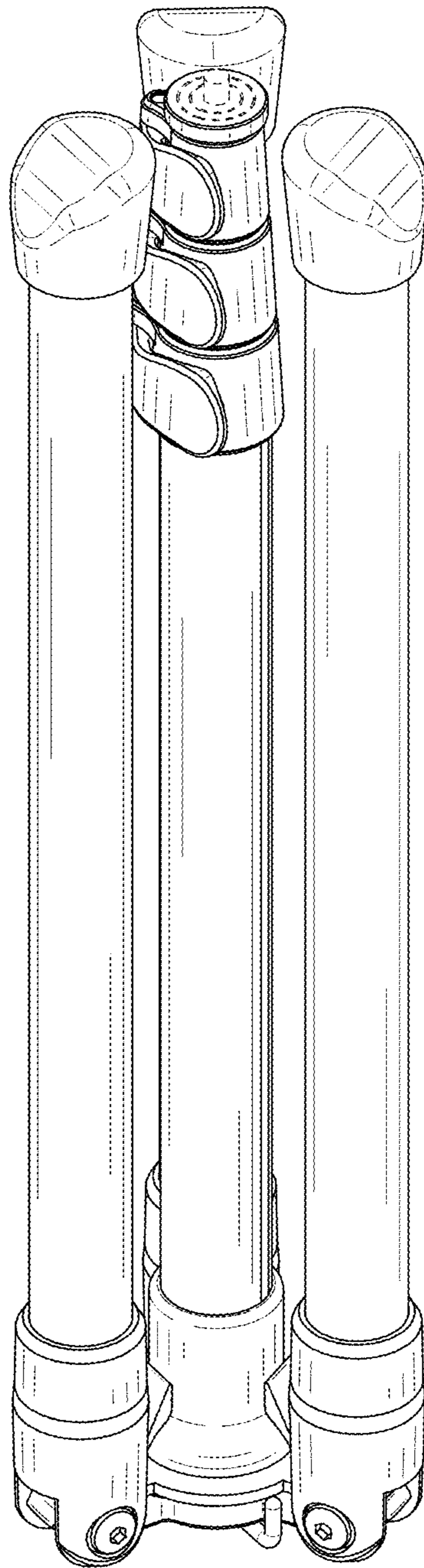


FIG. 9

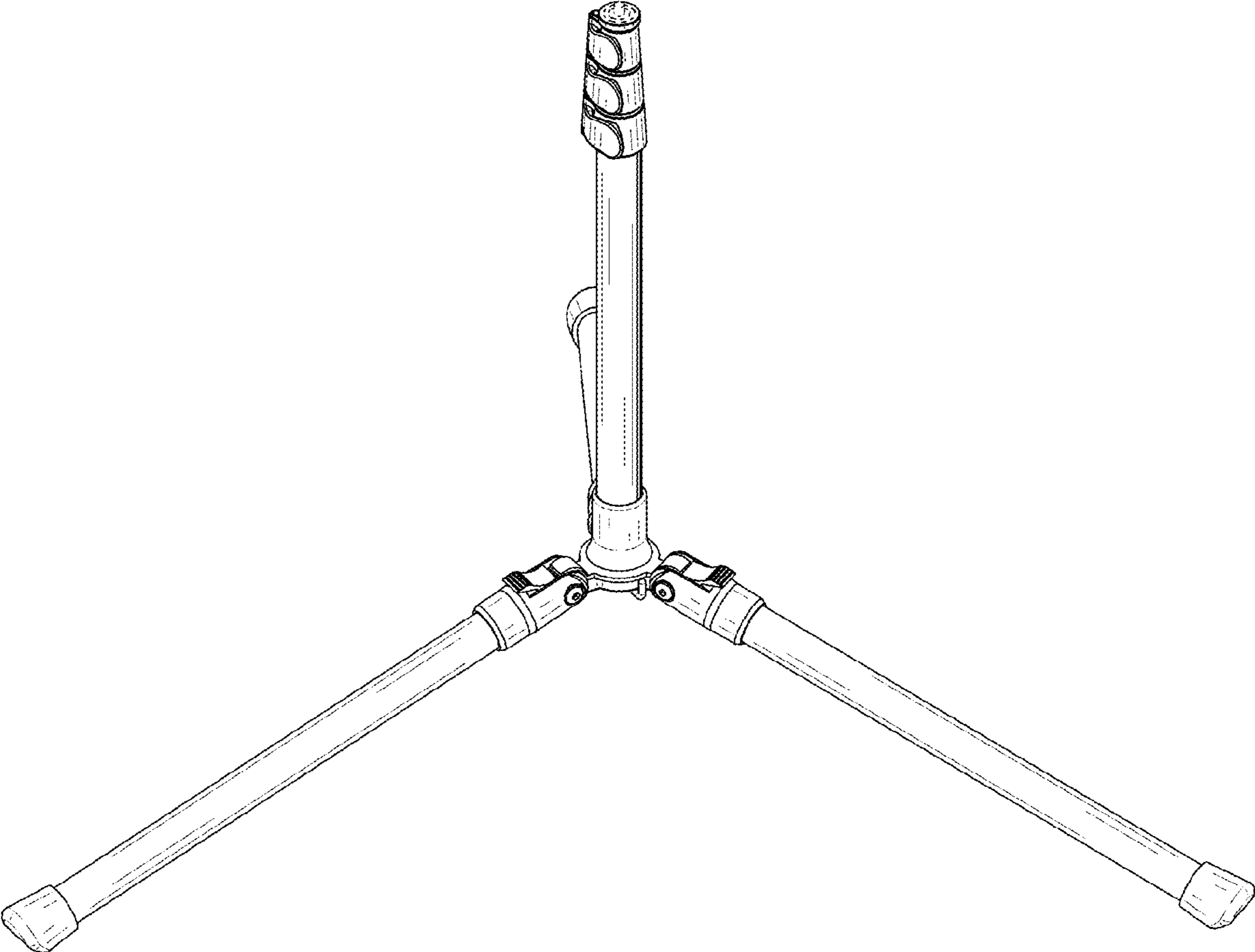


FIG. 10

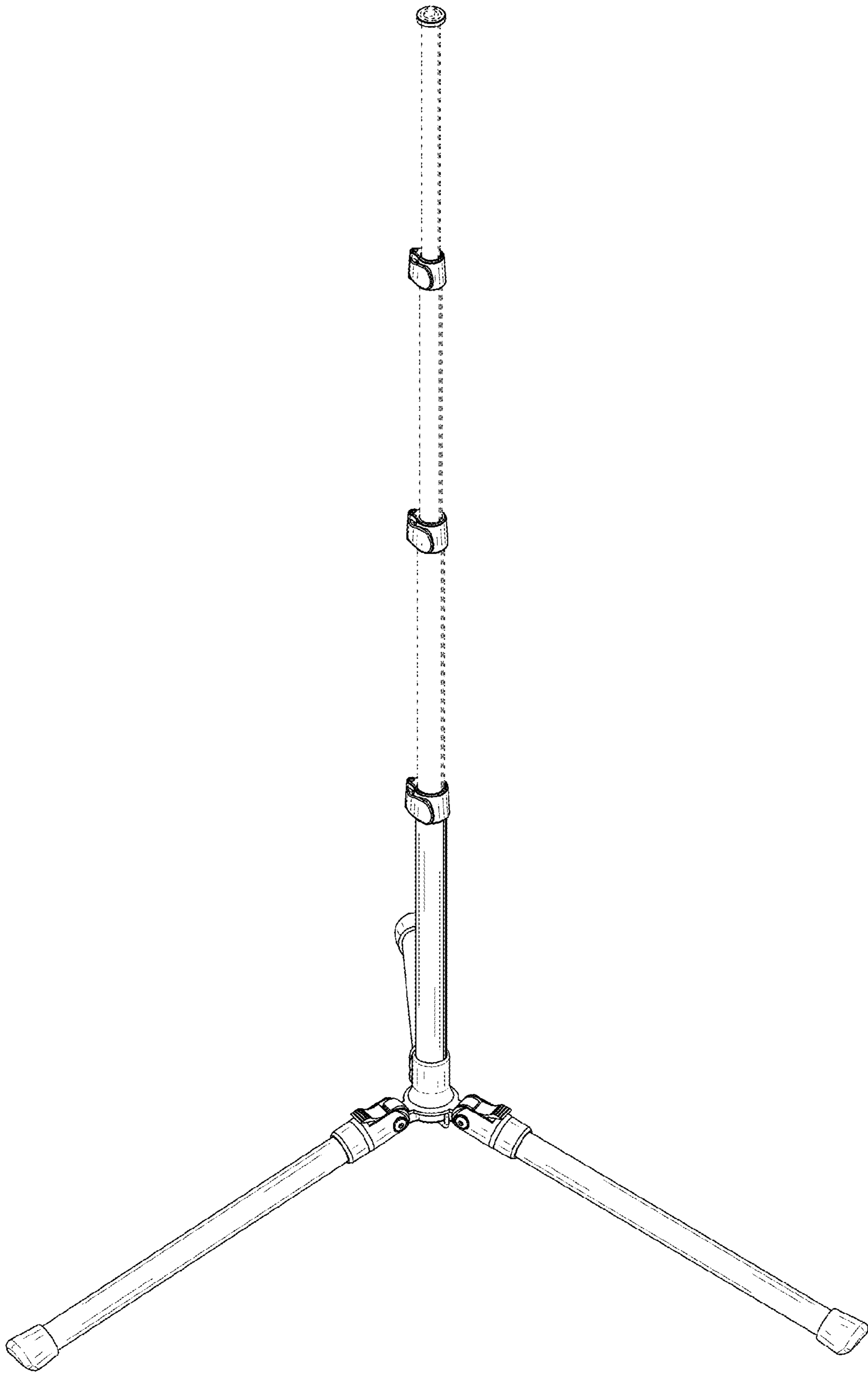


FIG. 11

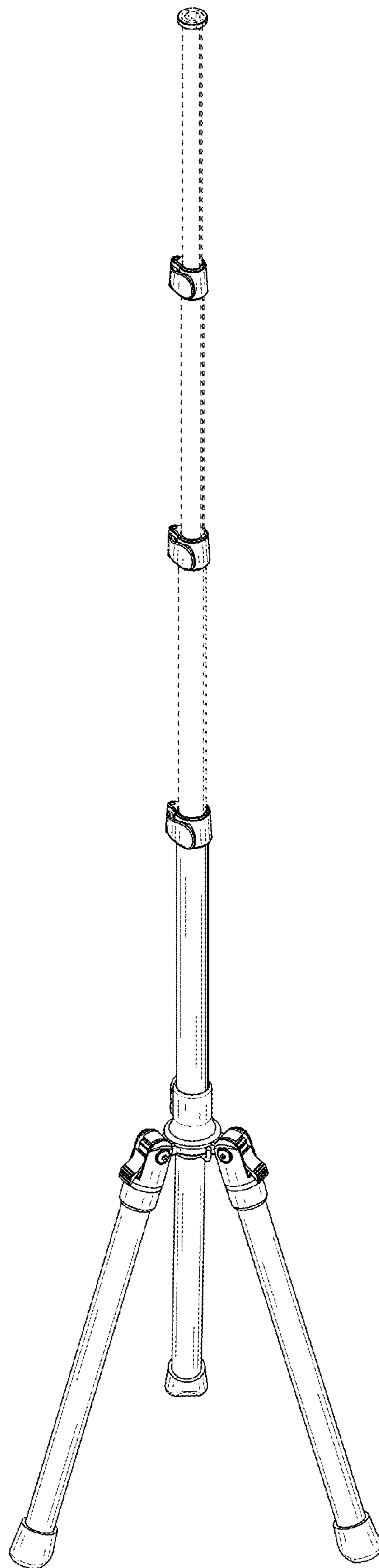


FIG. 12

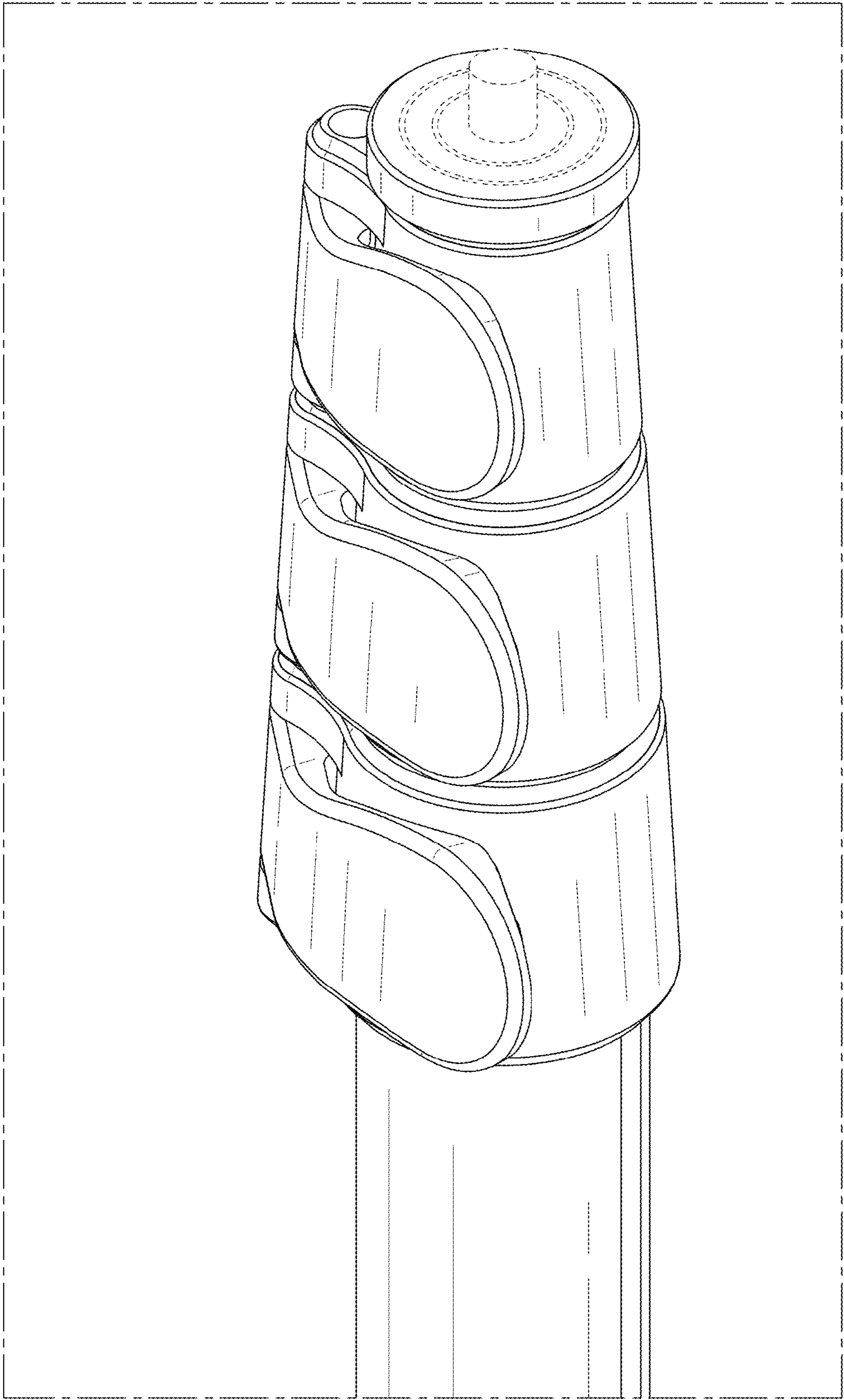


FIG. 13

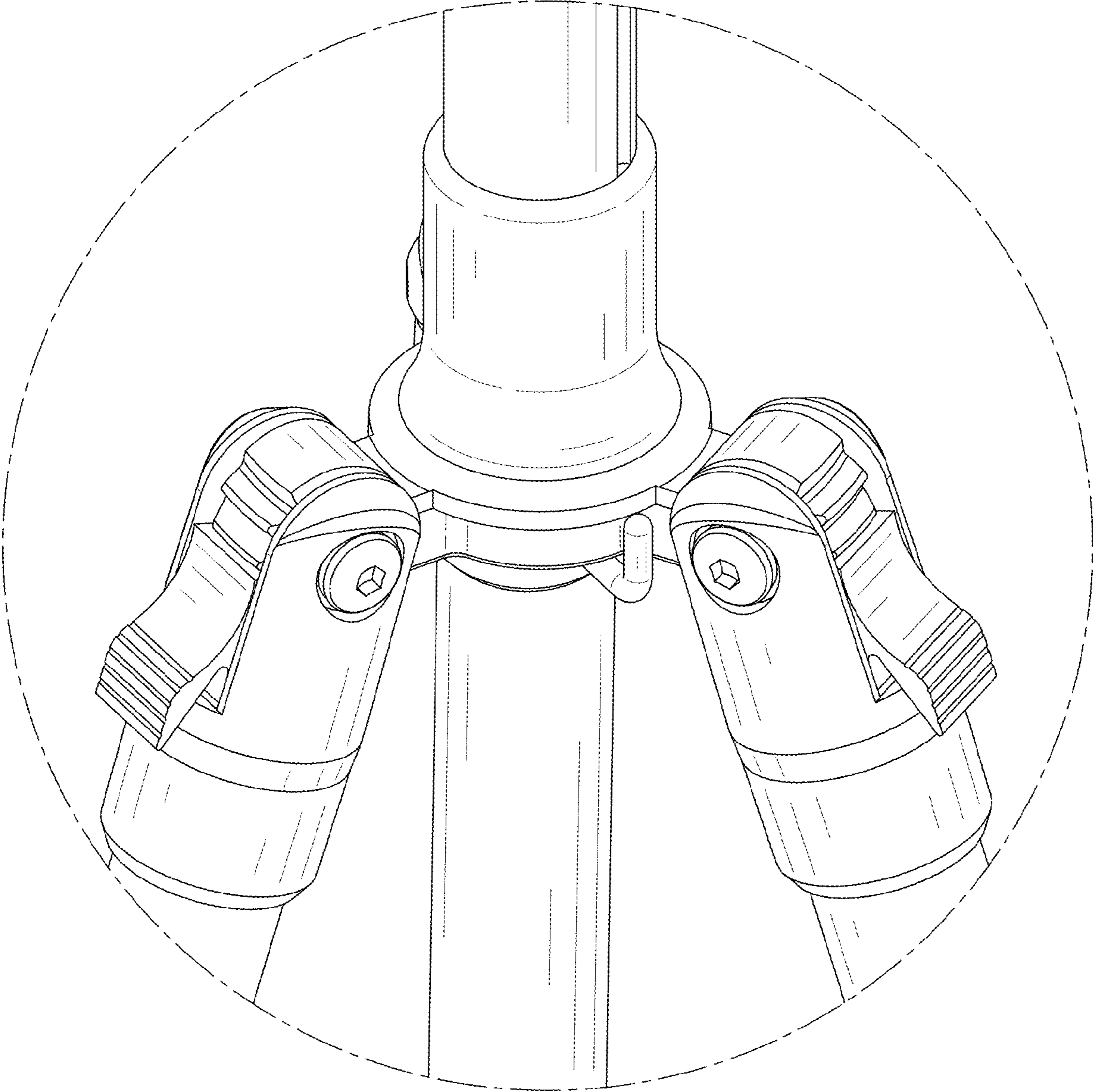


FIG. 14



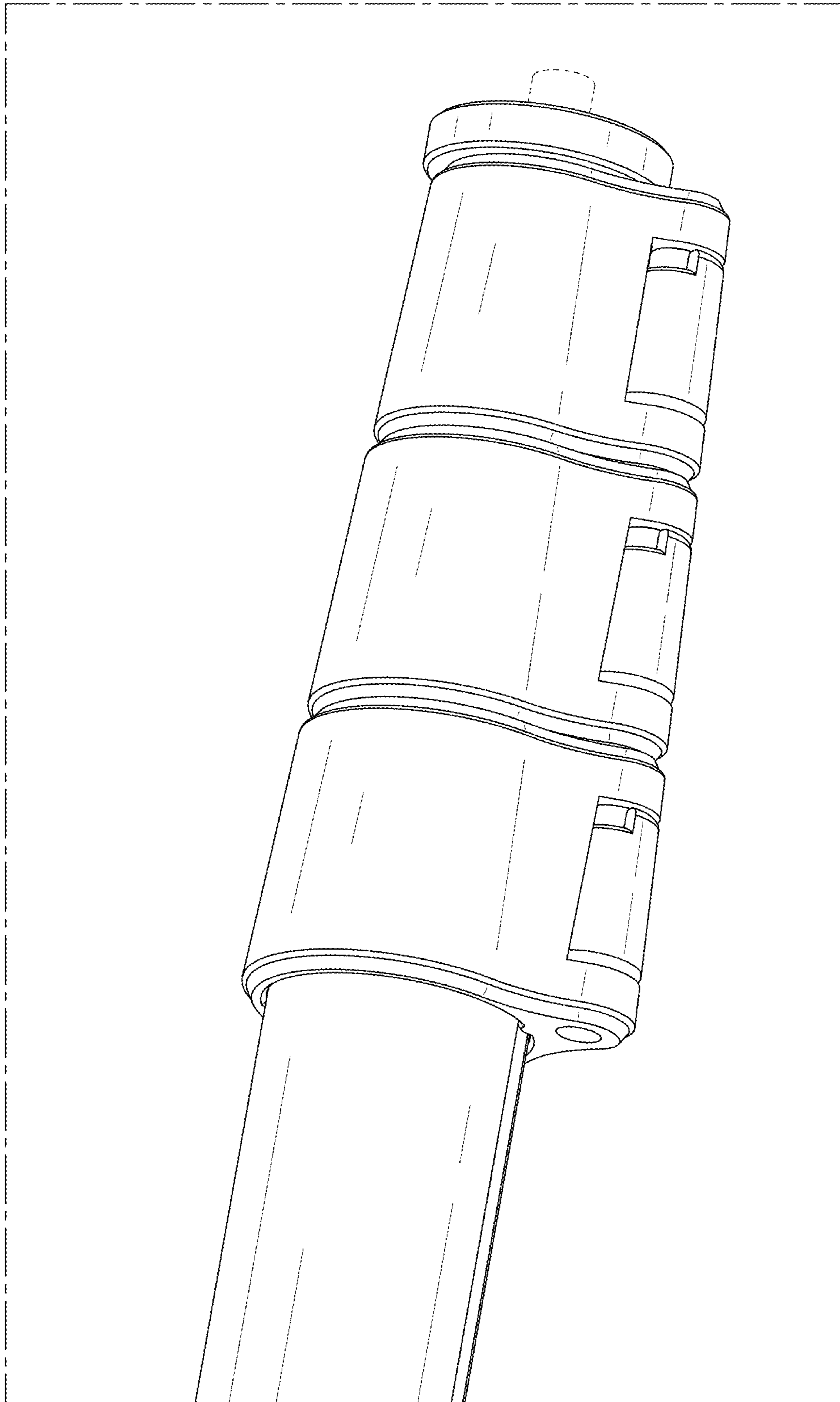


FIG. 15

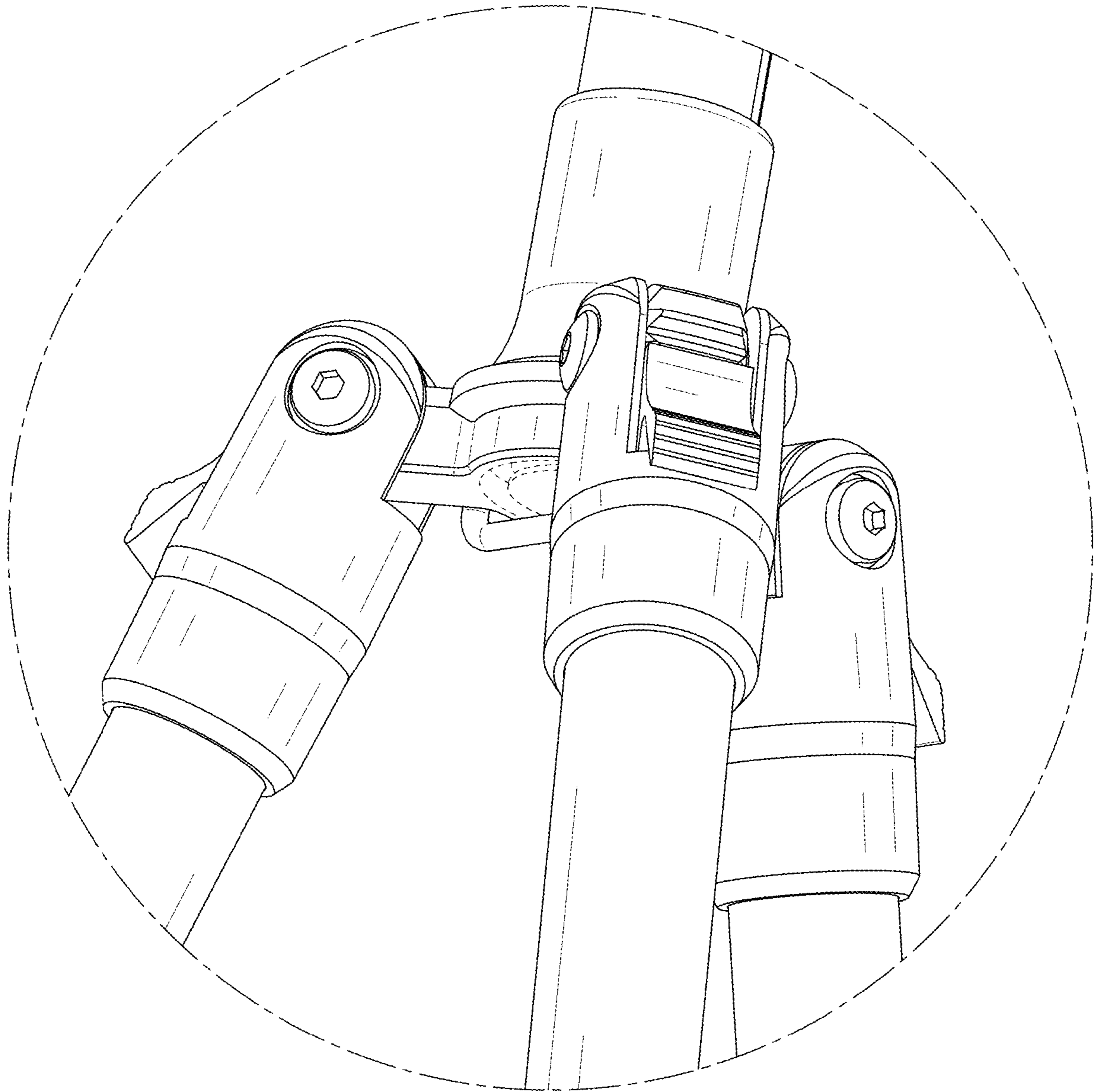


FIG. 16