



US00D956127S

(12) **United States Design Patent** (10) **Patent No.:** **US D956,127 S**
Zhang (45) **Date of Patent:** **** Jun. 28, 2022**

(54) **PAN AND TILT HEAD**

(71) Applicant: **Shenzhen Qiming Innovation Technology Development Co., Ltd.**, Guangdong (CN)

(72) Inventor: **Haiyang Zhang**, Guangdong (CN)

(73) Assignee: **Shenzhen Qiming Innovation Technology Development Co., Ltd.**, Shenzhen (CN)

(**) Term: **15 Years**

(21) Appl. No.: **29/764,336**

(22) Filed: **Dec. 29, 2020**

(30) **Foreign Application Priority Data**

May 8, 2020 (CN) 202030203057.8

(51) **LOC (13) Cl.** **16-05**

(52) **U.S. Cl.**
USPC **D16/242**

(58) **Field of Classification Search**

USPC D16/214, 234, 235, 236, 242, 243, 244, D16/245, 250, 131, 132, 237, 136, 239, D16/240, 203.8, 194, 195; D2/870, 878; D8/14, 300, 303, 306, 307, 321, 323, 324, D8/325, 349, 499; D13/183, 184, 107, D13/108, 109, 119, 120, 133, 134, 135, D13/139.4, 154, 156, 173; D14/313, 316, D14/317, 324, 341, 372, 375, 376, 377, D14/432, 203.3, 203.5, 482, 224, 217, D14/229; D21/333, 374, 385, 395, 455, D21/461, 514, 561, 804; D24/137
CPC G03B 17/02; G03B 19/04; G03B 17/56; G03B 17/04; G03B 15/03; H04N 5/2251; H04N 5/2252; H04N 5/2253; H04N 5/2254; H04N 7/181; H04N 7/183; H04N 7/18; G08B 13/1963; G08B 13/19619; G08B 13/19632

See application file for complete search history.

(56) **References Cited**

U.S. PATENT DOCUMENTS

D542,279 S * 5/2007 Chan D14/216
D545,860 S * 7/2007 Miyazaki D16/202

(Continued)

FOREIGN PATENT DOCUMENTS

CN 304130944 * 5/2017
CN 306156036 * 11/2020

(Continued)

OTHER PUBLICATIONS

Auto Tracking Phone Holder, [site visited Nov. 22, 2021]:<URL:https://www.amazon.com/gp/product/B08P76FN2N?th=1&psc=1> (Year: 2020).*

(Continued)

Primary Examiner — Sanjeev Paul
Assistant Examiner — Loryn Korrine Leblanc

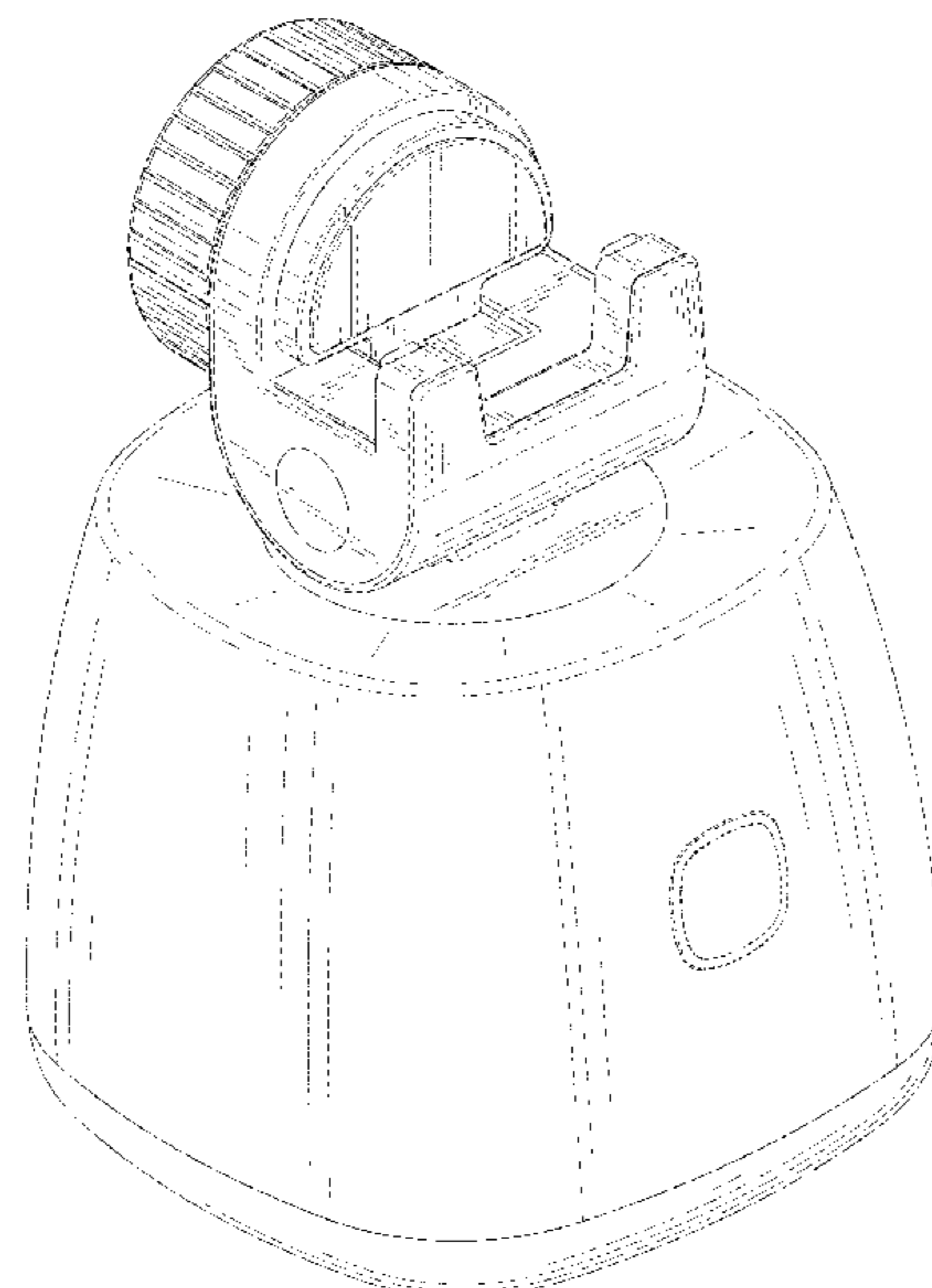
(57) **CLAIM**

The ornamental design for a pan and tilt head, as shown and described.

DESCRIPTION

FIG. 1 is a top, front and left side perspective view of a pan and tilt head showing my new design;
FIG. 2 is a front elevational view thereof;
FIG. 3 is a rear elevational view thereof;
FIG. 4 is a left side view thereof;
FIG. 5 is a right side view thereof;
FIG. 6 is a top plan view thereof; and,
FIG. 7 is a bottom plan view thereof.
The broken lines in the drawings illustrate portions of the pan and tilt head which form no part of the claimed design.

1 Claim, 7 Drawing Sheets



(56)

References Cited

OTHER PUBLICATIONS

U.S. PATENT DOCUMENTS

D553,123	S	*	10/2007	Solland	D14/217
D610,601	S	*	2/2010	Melder	D16/242
D723,460	S	*	3/2015	Gengler	D13/108
D742,446	S	*	11/2015	Ikeda	D16/202
D746,807	S	*	1/2016	McGarry	D14/253
D779,493	S	*	2/2017	Eliyahu	D14/434
D788,035	S	*	5/2017	Bang	D13/108
D816,030	S	*	4/2018	Sumida	D13/108
D831,072	S	*	10/2018	Becke	D14/496
D859,508	S	*	9/2019	Zhang	D16/244
D863,402	S	*	10/2019	Guo	D16/203
D889,402	S	*	7/2020	Lim	D13/108
D896,169	S	*	9/2020	Toth	D13/108
D927,418	S	*	8/2021	Jones	D13/108

FOREIGN PATENT DOCUMENTS

CN	306190531	*	11/2020
CN	306197227	*	11/2020
CN	306217723	*	12/2020
CN	306423541	*	3/2021
CN	306630489	*	6/2021
CN	306722682	*	7/2021
KR	300657739.0000	*	8/2012

Auto Tracking Phone Holder, pictured review Nov. 3, 2020 [online], [site visited Nov. 26, 2021]:<URL:https://www.amazon.com/gp/product/B08J7WYKM8/ref=ox_sc_act_title_1?smid=A11GISDNKWIYZ3&th=1> (Year: 2020).*

Auto Tracking Phone Holder, pictured review Feb. 1, 2021 [online], [site visited Nov. 30, 2021]:<URL:https://www.amazon.com/gp/product/B08GZC78C9/ref=ox_sc_act_title_1?smid=A3K37LG9D010ZN&th=1> (Year: 2020).*

Auto Tracking Phone Holder, [site visited Nov. 30, 2021]:<URL:https://www.amazon.com/gp/product/B097QNVWDJ/ref=ox_sc_act_title_1?smid=AY2QDB8AA54UH&th=1> (Year: 2021).*

Google Search: “Selfie Auto Tracking Phone Mount” [site visited Nov. 22, 2021]:<URL:https://www.google.com/search?q=selfie+auto+tracking+phone+mount&tbm=isch&ved=2ahUKEwjatfjboaz0AhVXFFkFHTAdD_sQ2-cCegQIABAA&ooq%E2%80%A6> (Year: 2021).*

YouTube Search: “Auto Tracking Phone Holder” [site visited Nov. 22, 2021]:<URL:https://www.youtube.com/results?search_query=2018+auto+tracking+phone+holder> (Year: 2021).*

* cited by examiner

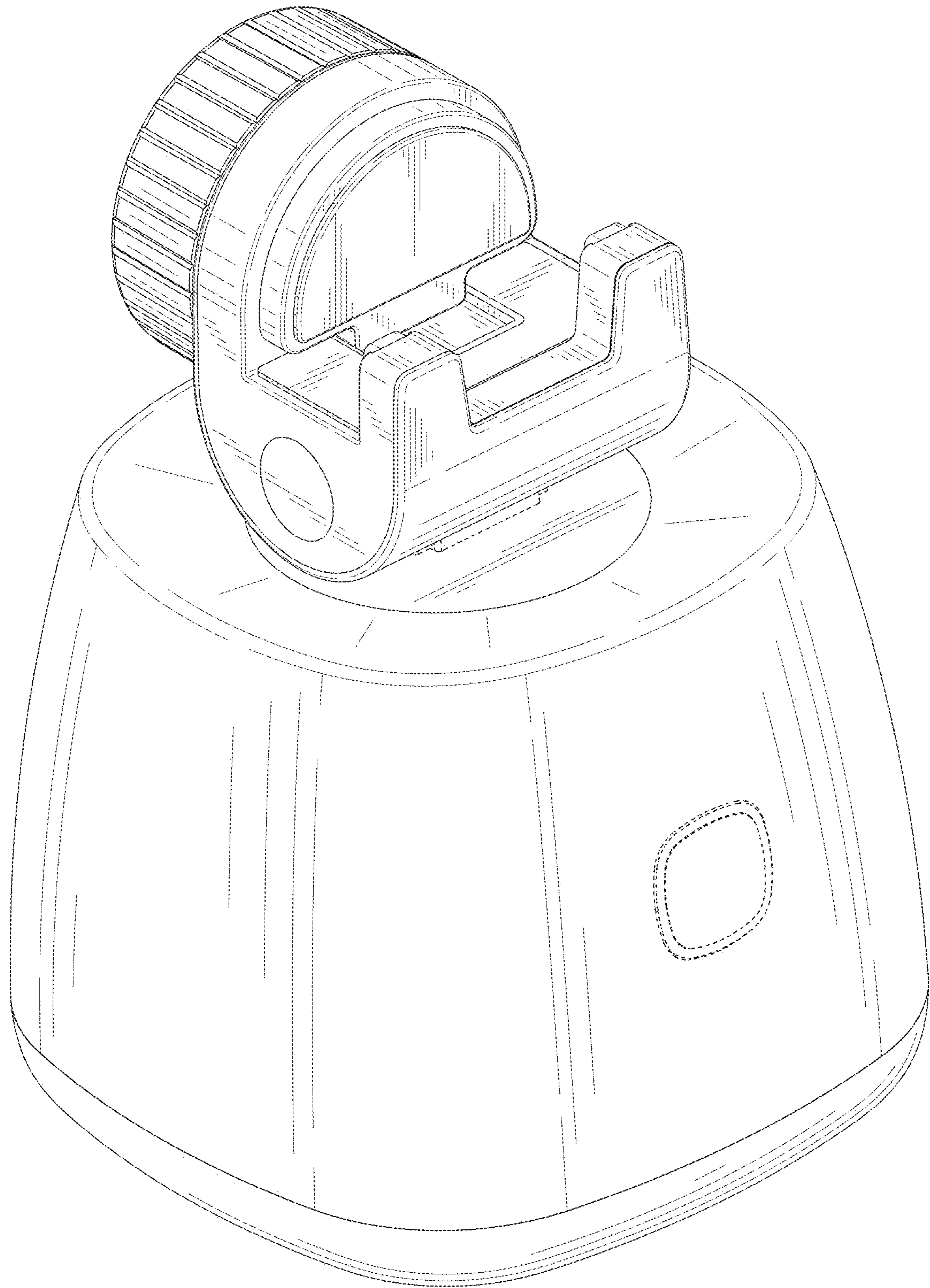


FIG. 1

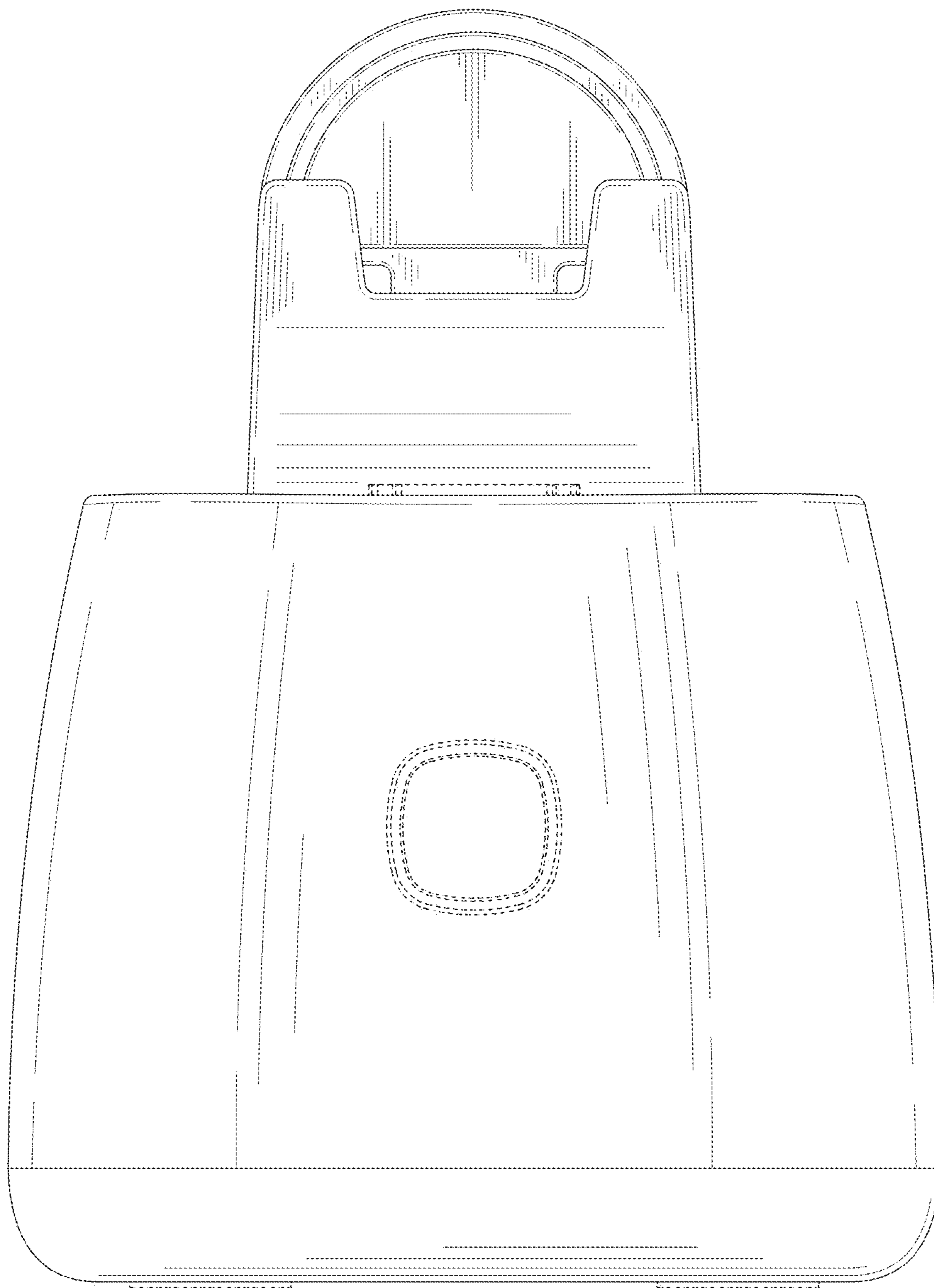


FIG. 2

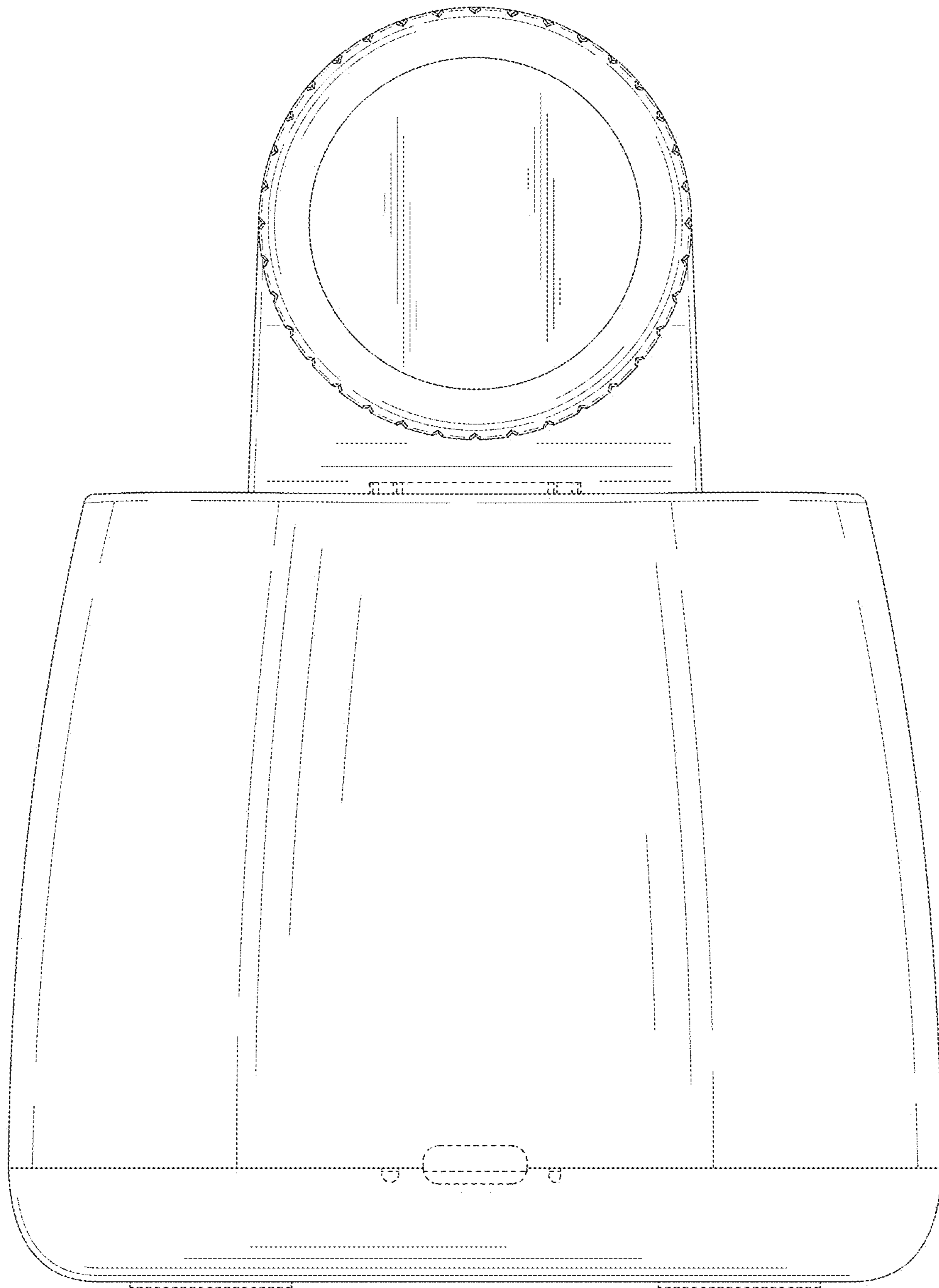


FIG. 3

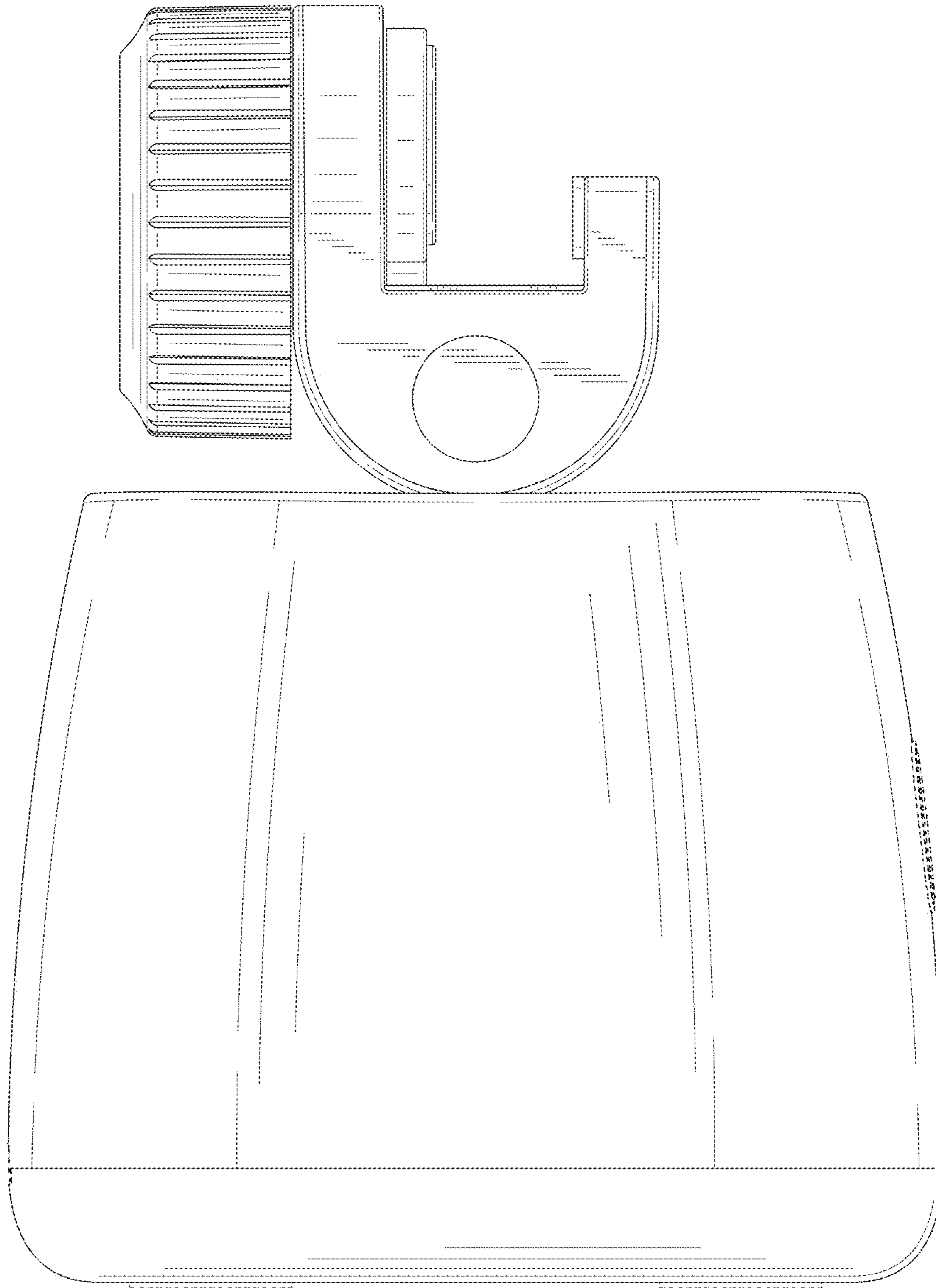


FIG. 4

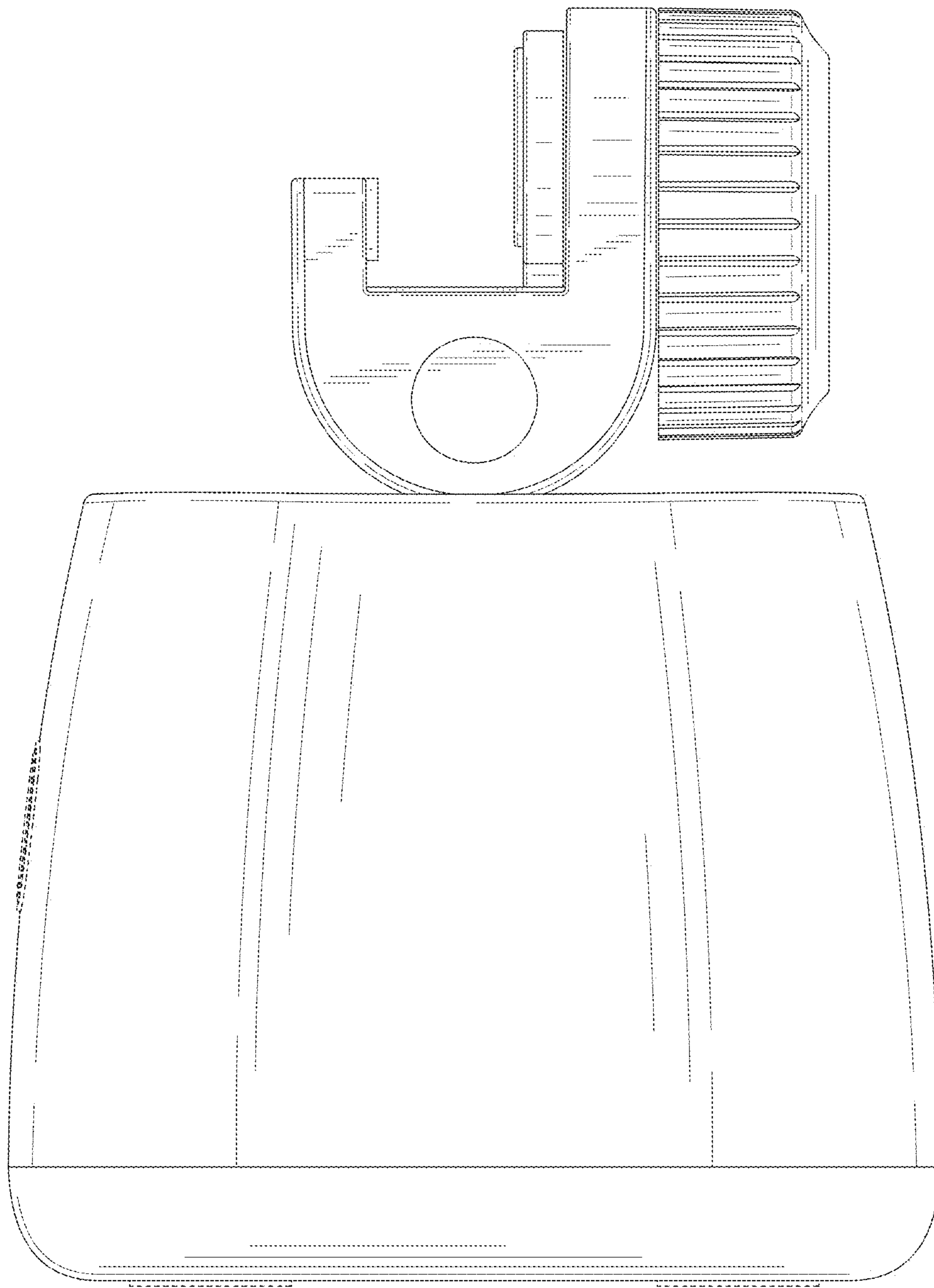


FIG. 5

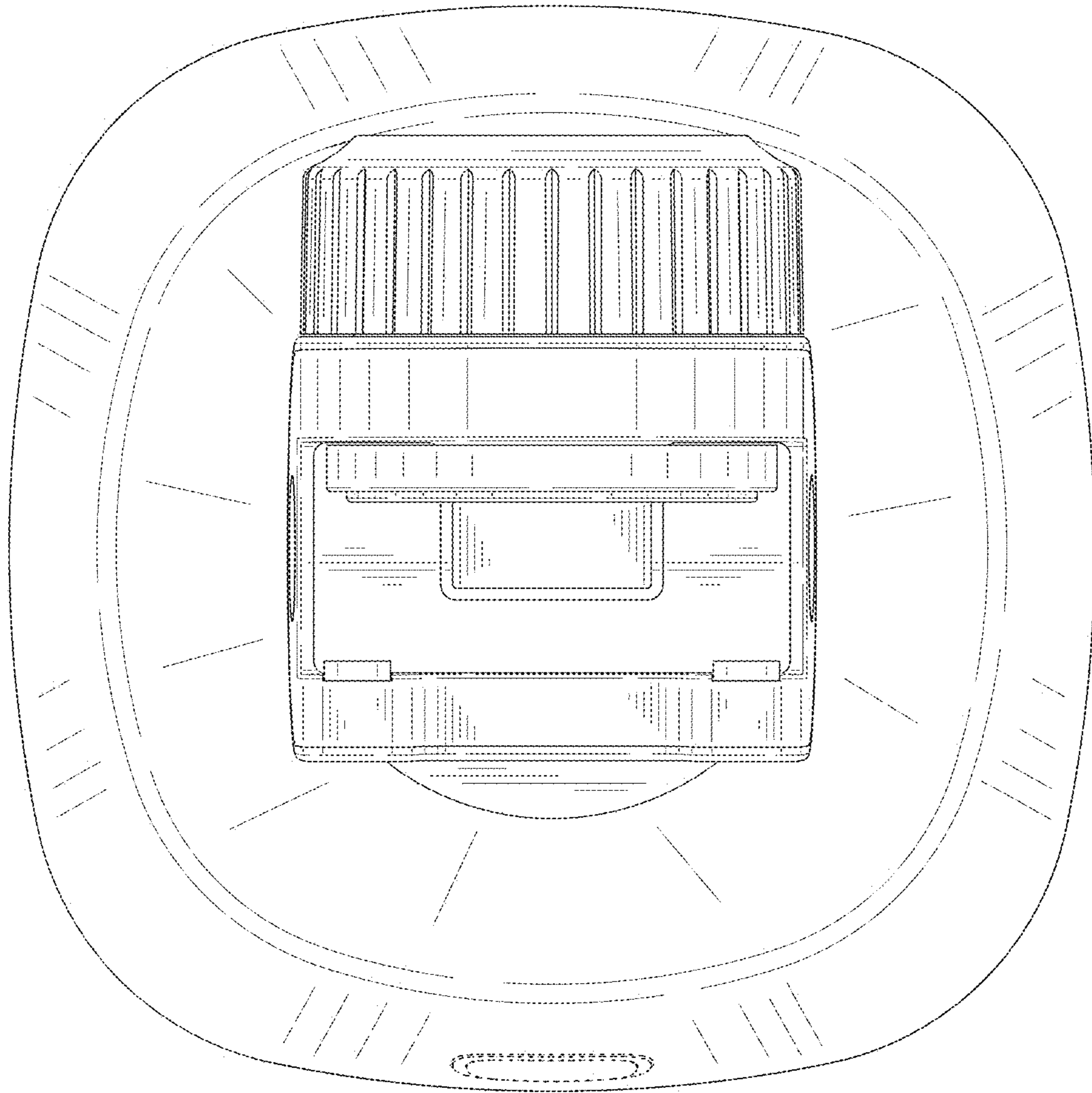


FIG. 6

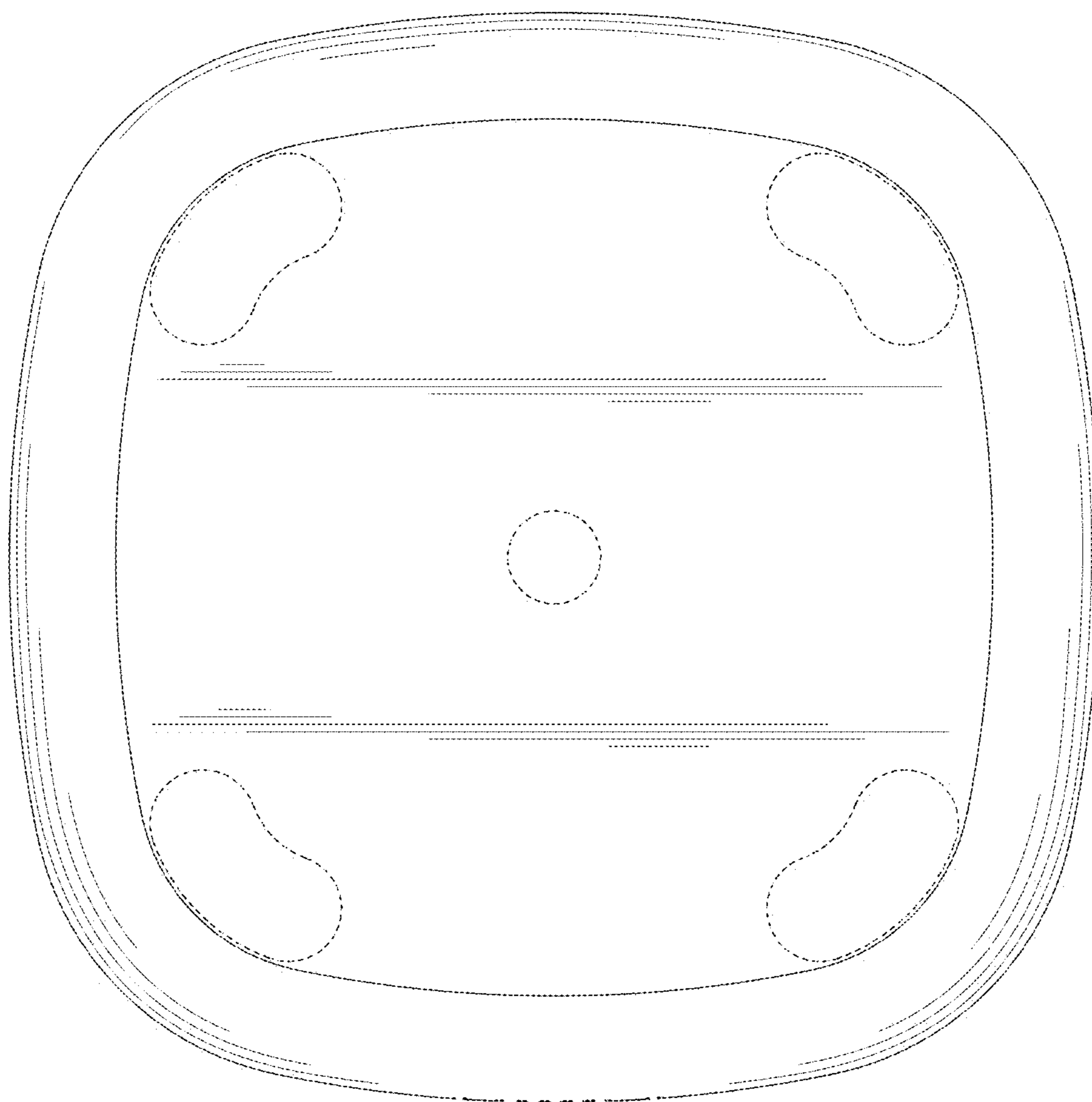


FIG. 7