



US00D956126S

(12) **United States Design Patent** (10) **Patent No.:** **US D956,126 S**
Ramones et al. (45) **Date of Patent:** **** Jun. 28, 2022**

- (54) **ELECTRONICS DEVICE MOUNT**
- (71) Applicant: **Arlo Technologies, Inc.**, Carlsbad, CA (US)
- (72) Inventors: **John Kui Yin Ramones**, San Ramon, CA (US); **Henry Arthur Jupille**, Montrose, CO (US); **Christopher Vincent Fonzo**, Carlsbad, CA (US)
- (73) Assignee: **Ario Technologies, Inc.**, Carlsbad, CA (US)

9,436,067	B2 *	9/2016	Chen	G03B 17/561
9,726,963	B1 *	8/2017	Xiao	G03B 17/566
9,991,581	B2 *	6/2018	Taptic	H01Q 1/1228
D823,840	S	7/2018	Gilbert		
10,038,829	B2 *	7/2018	Gilbert	H04N 5/2252
10,082,726	B2 *	9/2018	Fagerkvist	F16C 11/06
D841,077	S *	2/2019	Kip	D16/242
10,247,351	B2 *	4/2019	Zarpellon	F16M 11/041
10,422,469	B2 *	9/2019	Clark	F16M 11/14
D902,289	S *	11/2020	Burns	D16/242
10,962,167	B2 *	3/2021	Karman	F16C 11/106
11,048,151	B2 *	6/2021	Ramones	G08B 13/19632
D933,118	S *	10/2021	Burns	D16/242

(Continued)

- (**) Term: **15 Years**
- (21) Appl. No.: **29/698,618**
- (22) Filed: **Jul. 18, 2019**
- (51) **LOC (13) Cl.** **16-05**
- (52) **U.S. Cl.**
USPC **D16/242**; D14/238
- (58) **Field of Classification Search**
USPC D16/208-209, 219, 237-250; D8/354, D8/355, 363, 373, 382-383, 394-396; D14/224, 229, 238, 251, 253, 447, 451, D14/457
CPC A45F 5/00; A45F 5/10; A45F 2200/0508-2200/0533; F16M 11/06-11/10; F16M 11/14; G02B 7/00-7/002; G03B 17/56; G03B 17/561-17/566; H04N 5/2253-5/2254
See application file for complete search history.

(56) **References Cited**

U.S. PATENT DOCUMENTS

4,708,510	A *	11/1987	McConnell	A61G 13/12 403/90
5,957,445	A *	9/1999	Hagman	B23Q 1/545 269/75
8,061,920	B2 *	11/2011	Wimberley	F16M 11/14 248/181.2

OTHER PUBLICATIONS

Outdoor Mount. [online] Retrieved Feb. 2, 2022 from URL: <https://www.arlo.com/en-us/accessories/VMA4000-10000S.html> (Year: 2022).*

Primary Examiner — Vy N Koenig
(74) *Attorney, Agent, or Firm* — Boyle Fredrickson S.C.

(57) **CLAIM**

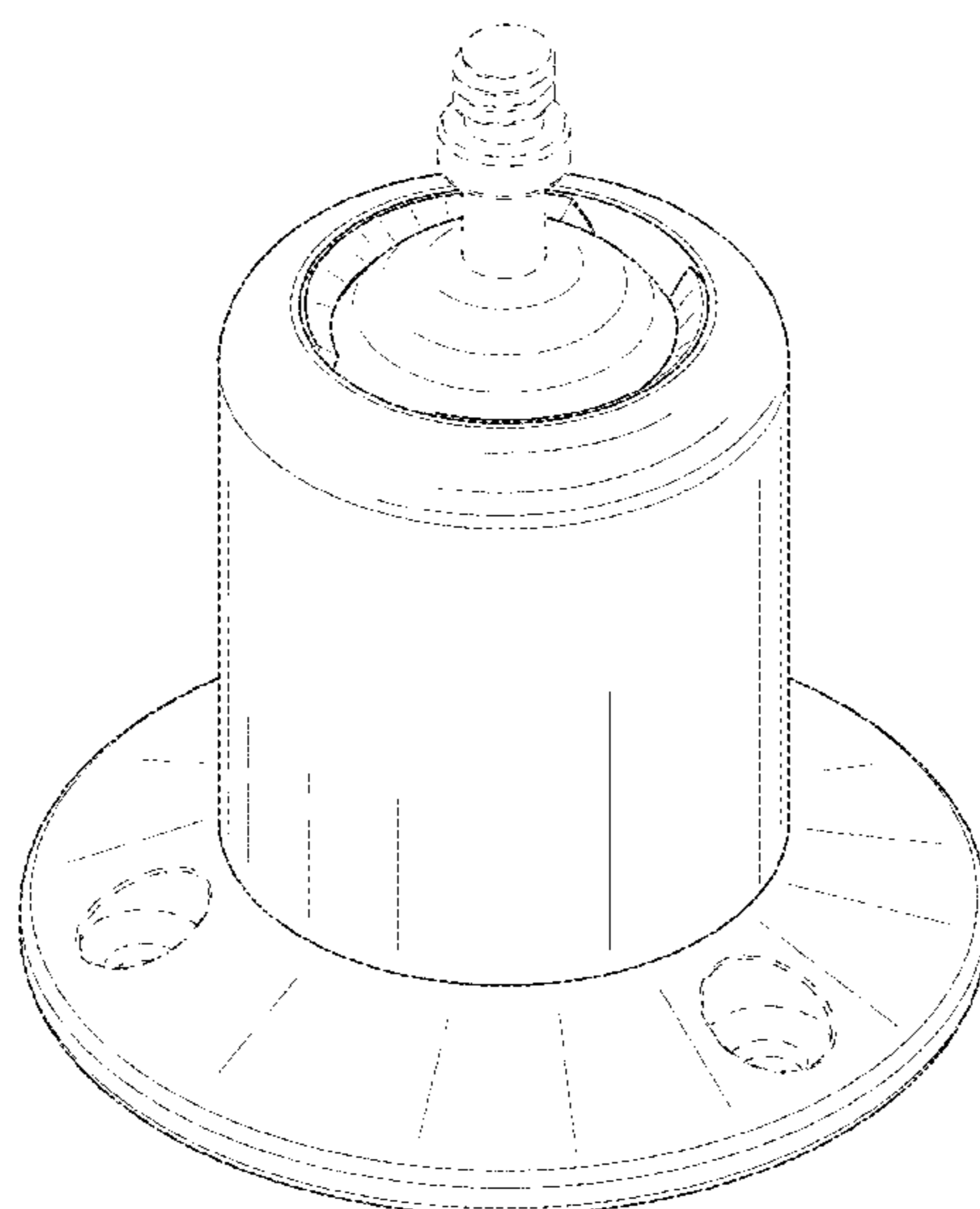
The ornamental design for an electronics device mount, as shown and described.

DESCRIPTION

FIG. 1 is a top, front, right isometric view of an electronics device mount incorporating our new design; FIG. 2 is a front end elevation view thereof; FIG. 3 is a rear end elevation view thereof; FIG. 4 is a right-side elevation view thereof; FIG. 5 is a left-side elevation view thereof; FIG. 6 is a top plan view thereof; and, FIG. 7 is a bottom plan view thereof.

The dashed broken lines in the drawings show unclaimed features of the design, and the dashed-dot broken lines represent boundaries of the design. All of the broken lines form no part of the claimed design.

1 Claim, 7 Drawing Sheets



(56)

References Cited

U.S. PATENT DOCUMENTS

2005/0110649 A1* 5/2005 Fredericks F21V 29/74
340/815.45
2015/0001365 A1* 1/2015 Vogt F16C 11/106
248/371
2017/0337789 A1* 11/2017 Rosenkvist F16M 13/02
2018/0367713 A1* 12/2018 Gilbert F16M 13/02

* cited by examiner

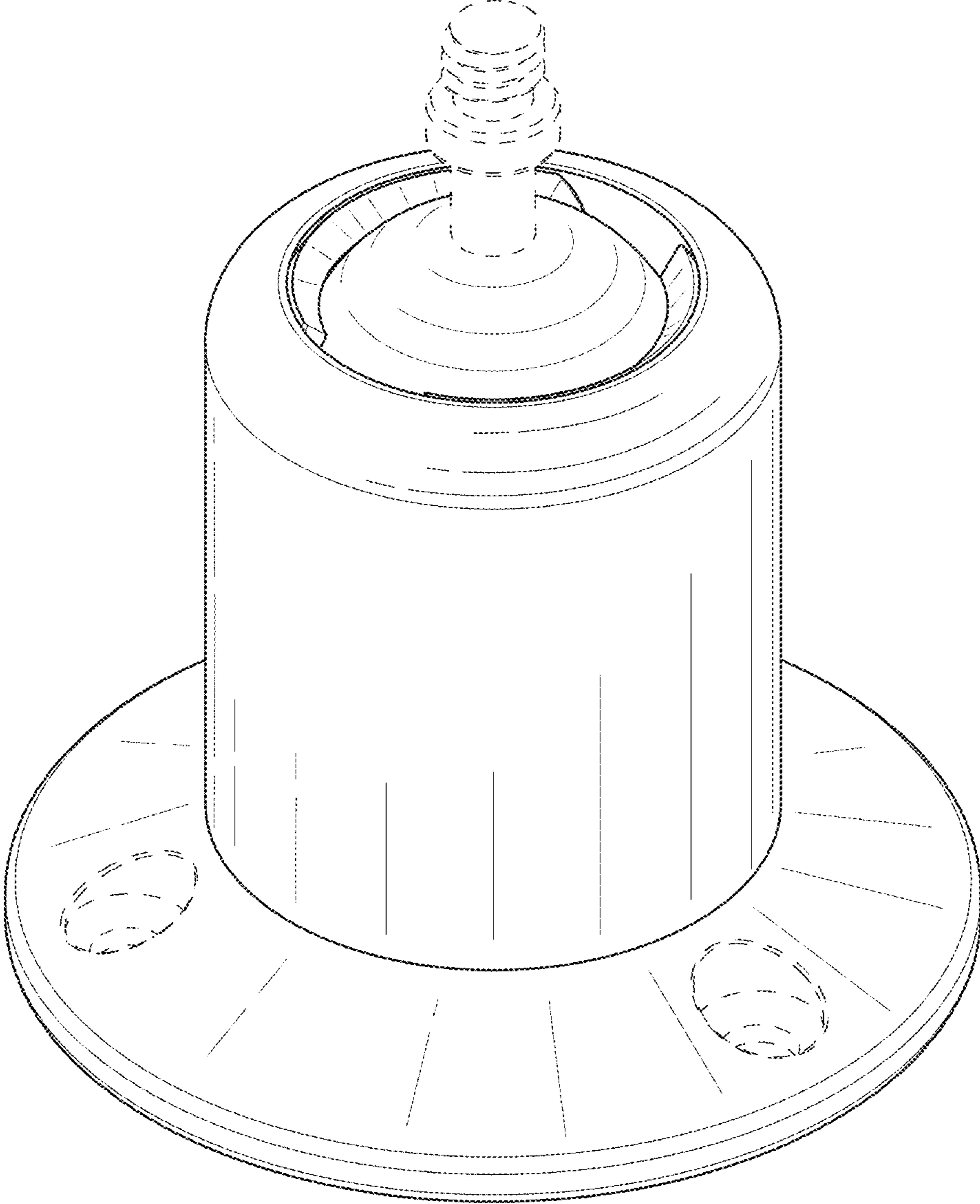


FIG. 1

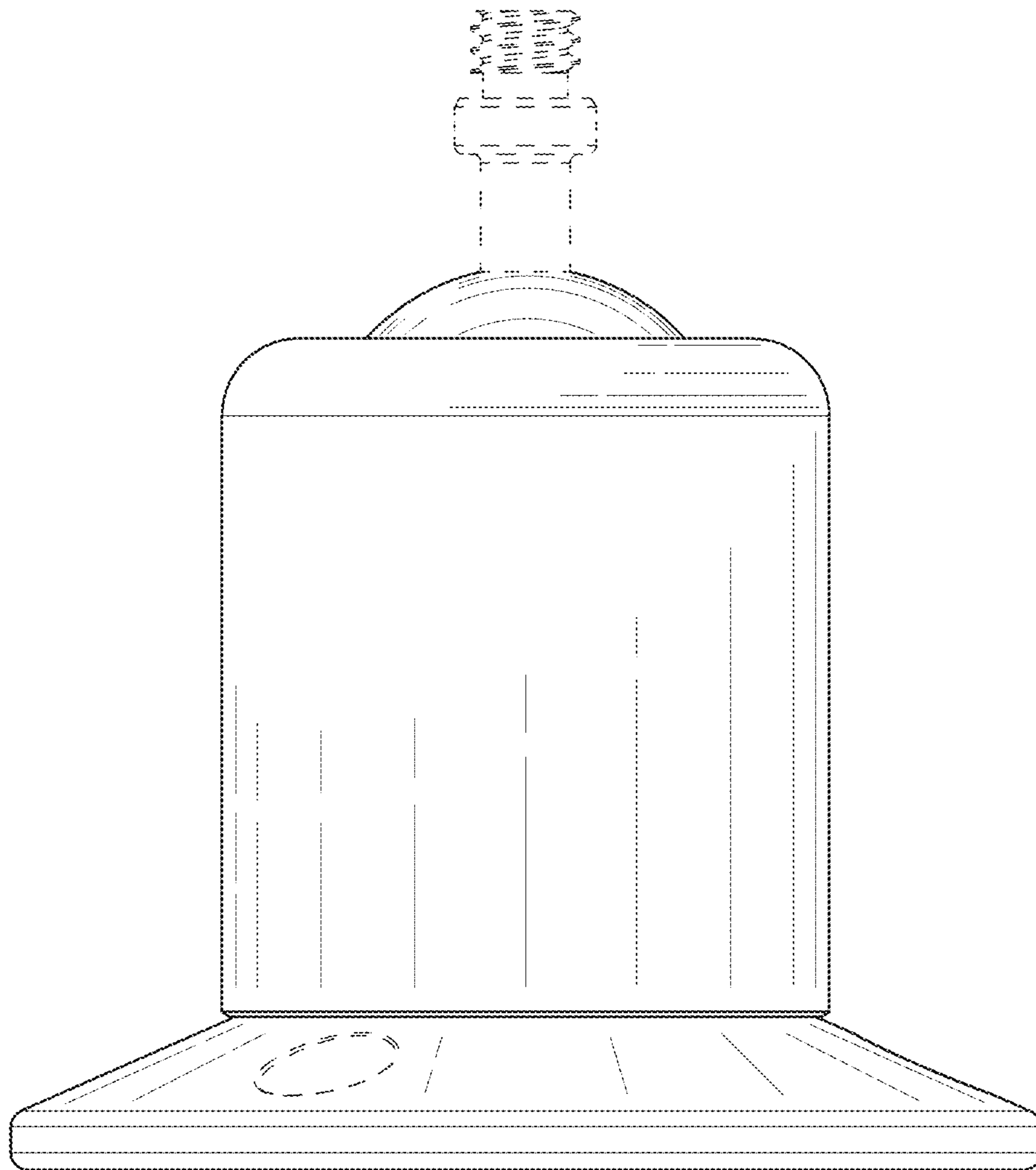


FIG. 2

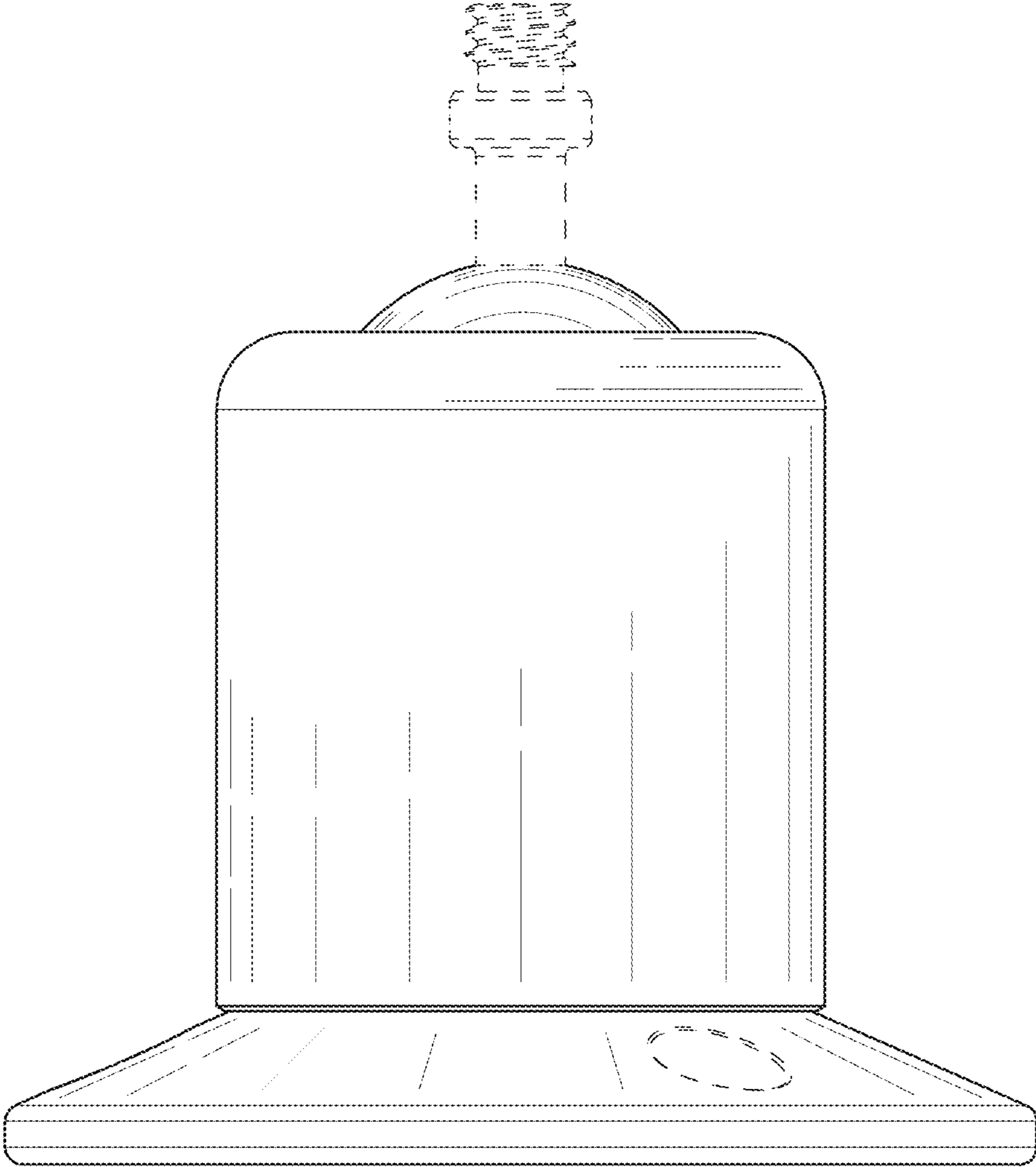


FIG. 3

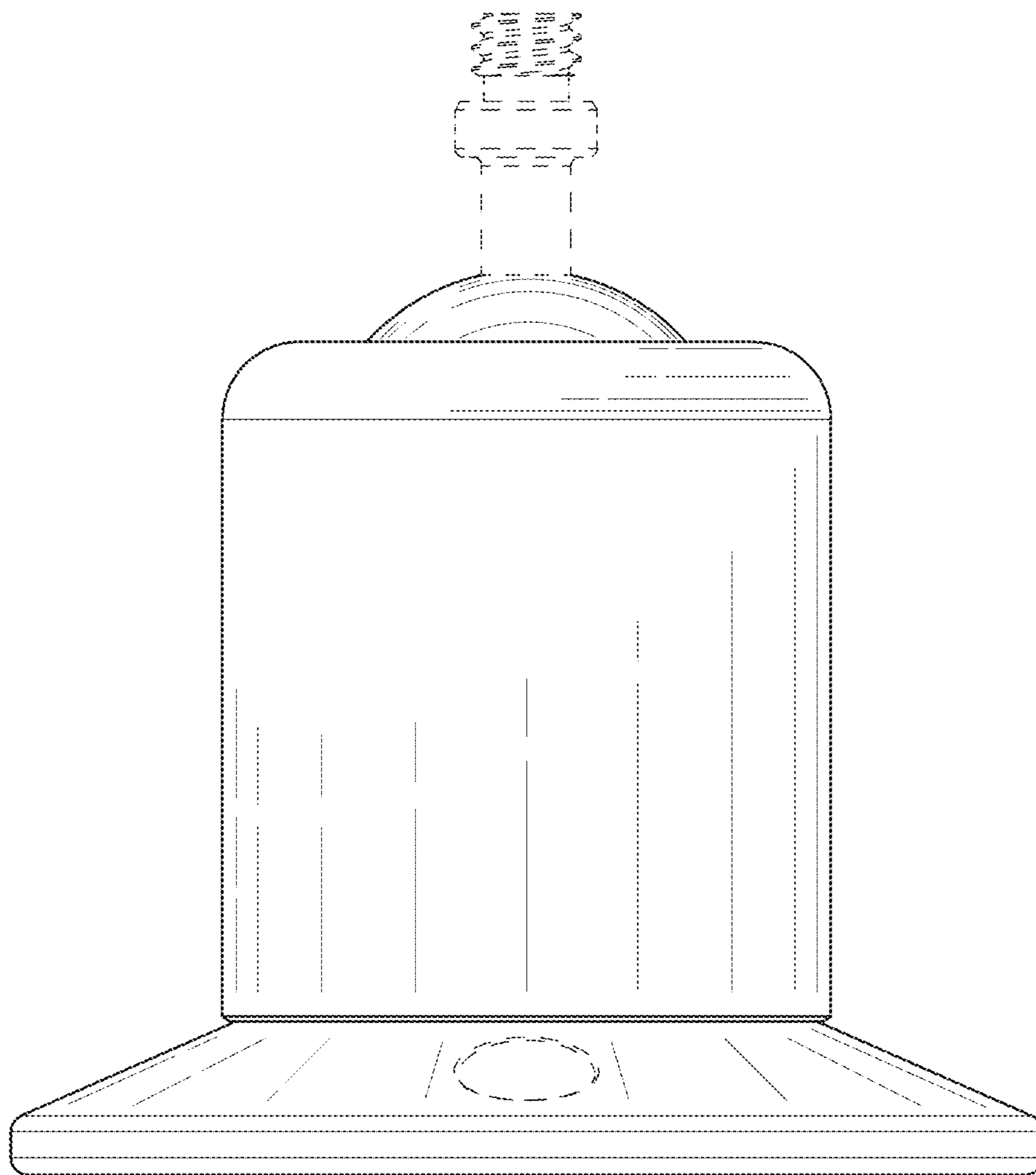


FIG. 4

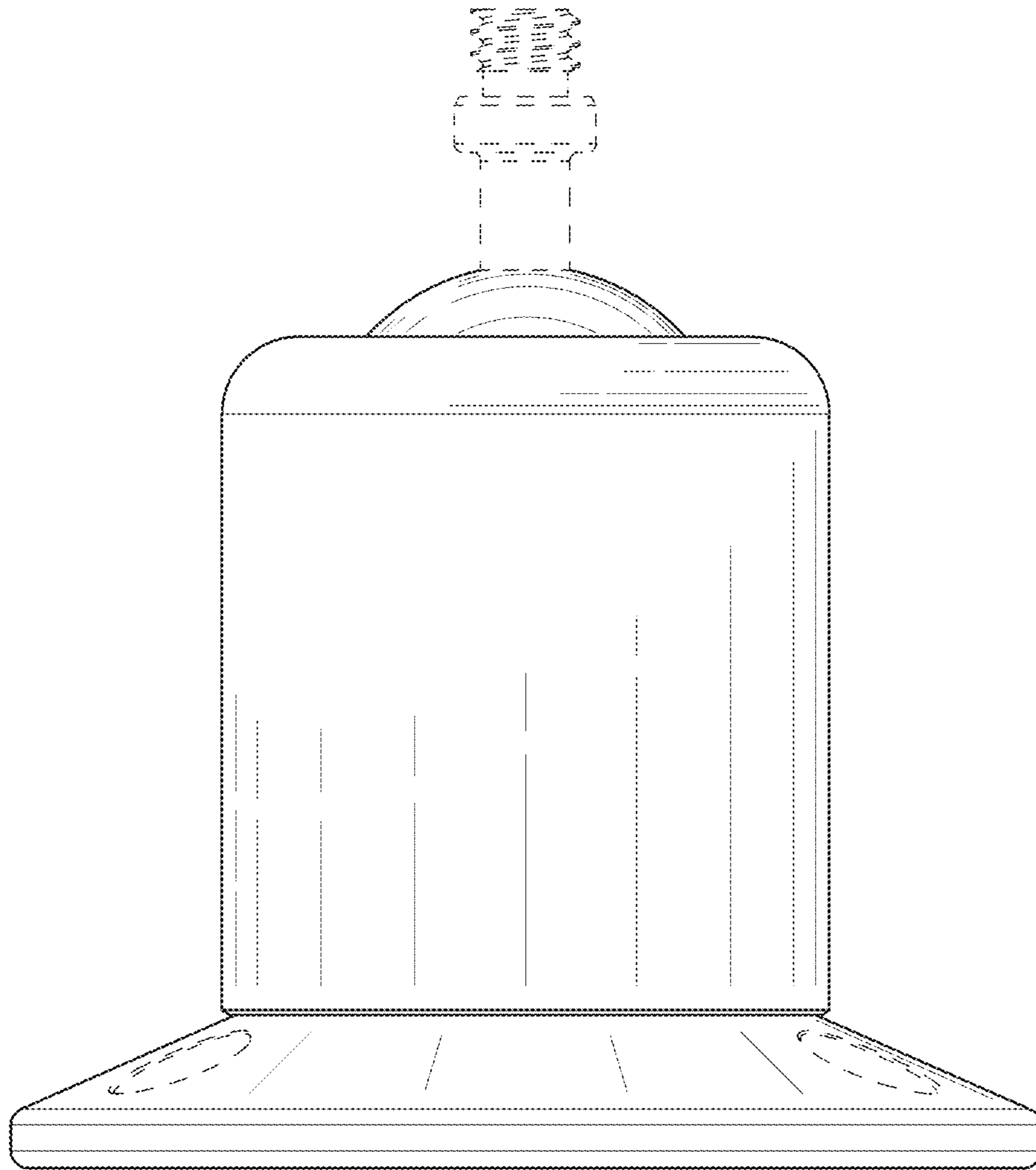


FIG. 5

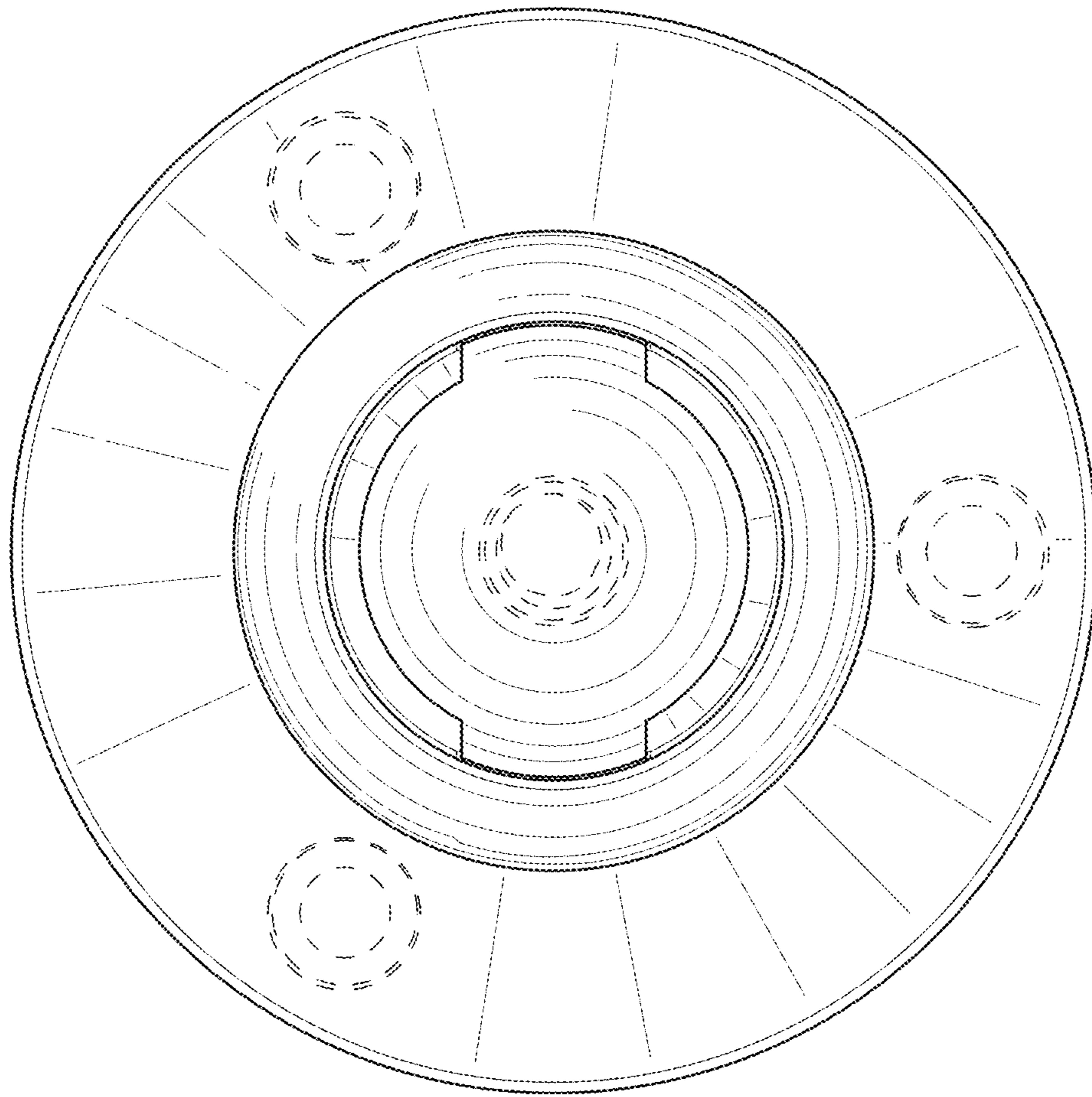


FIG. 6

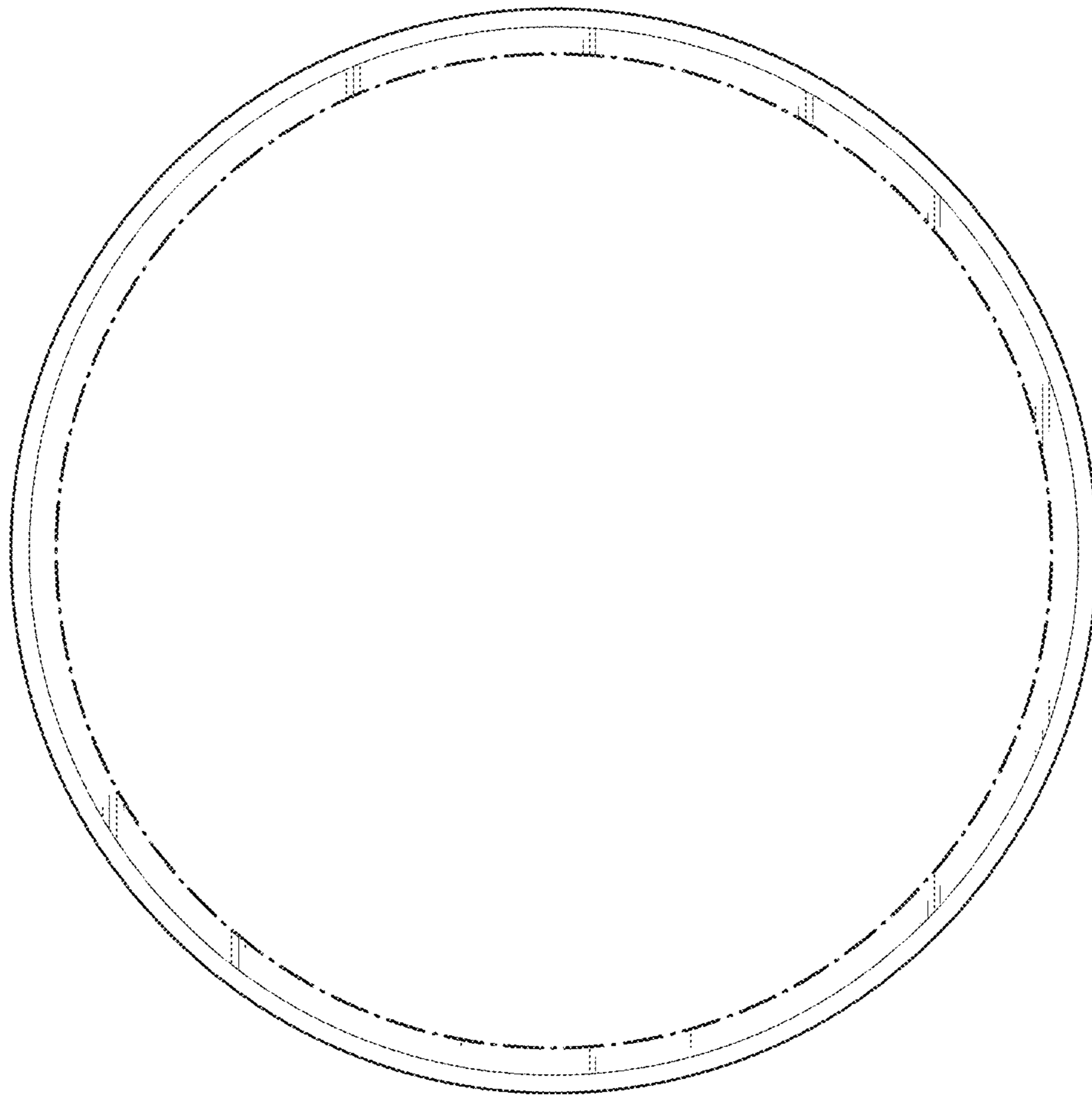


FIG. 7