



US00D956123S

(12) **United States Design Patent** (10) **Patent No.:** **US D956,123 S**
Muhlenkamp, IV et al. (45) **Date of Patent:** **** Jun. 28, 2022**

(54) **CAMERA**

D118,296 S 12/1939 Tuomey
3,508,482 A 4/1970 Taylor
3,721,746 A 3/1973 Knappenberger
(Continued)

(71) Applicant: **GoPro, Inc.**, San Mateo, CA (US)

(72) Inventors: **John George Muhlenkamp, IV**,
Brisbane, CA (US); **Huy Phuong**
Nguyen, Alpine, UT (US); **Daniel J.**
Coster, Oakura (NZ)

FOREIGN PATENT DOCUMENTS

CA 168972 4/1916
CN 1531337 A 9/2004
(Continued)

(73) Assignee: **GoPro, Inc.**, San Mateo, CA (US)

(**) Term: **15 Years**

OTHER PUBLICATIONS

(21) Appl. No.: **29/814,777**

Alex NLD AHDBT501 TinEye. Tineye.com [published Jan. 13, 2017][online][Accessed Feb. 28, 2017]<Url:https://tineye.com/search/a068519109ac11d29440a513c6a88863d1-dc6e51/?extension.sub.--ver=chrome-1.1.5>. 4 pages.

(22) Filed: **Nov. 9, 2021**

(Continued)

Related U.S. Application Data

(62) Division of application No. 29/785,302, filed on May 25, 2021, which is a division of application No. 29/706,013, filed on Sep. 17, 2019, now Pat. No. Des. 920,419.

Primary Examiner — Ramzi Almatrahi

(74) *Attorney, Agent, or Firm* — Young Basile Hanlon & MacFarlane, P.C.

(51) **LOC (13) Cl.** **16-05**

(52) **U.S. Cl.**
USPC **D16/219**

(58) **Field of Classification Search**
USPC D16/200, 202–208, 218, 219, 242;
348/164, 373–376; 396/448, 535,
396/539–541
CPC G03B 17/02; G03B 19/04; G03B 17/56;
G03B 17/04; G03B 15/03; H04N 5/2251;
H04N 5/2252; H04N 5/2253; H04N
5/2254; H04N 7/181; H04N 7/183; H04N
7/18; G08B 13/1963; G08B 13/19619;
G08B 13/19632; F16M 11/04; F16M
13/00

See application file for complete search history.

(57) **CLAIM**

The ornamental design for a camera, as shown and described.

DESCRIPTION

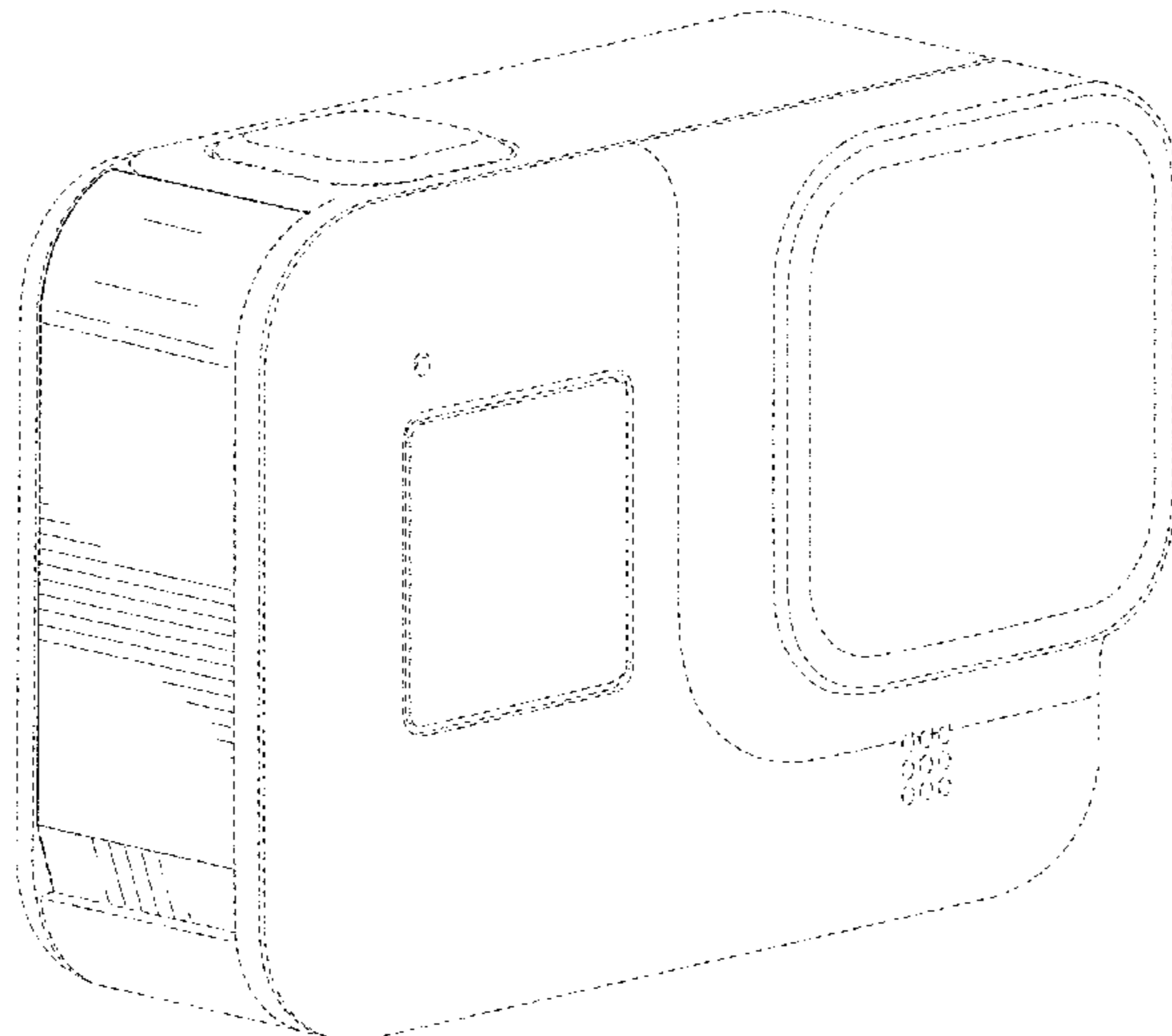
FIG. 1 is a top, front and left perspective view of a camera showing our new design;
FIG. 2 is a bottom, rear and right perspective view thereof;
FIG. 3 is a front view thereof;
FIG. 4 is a rear view thereof;
FIG. 5 is a right view thereof;
FIG. 6 is a left view thereof;
FIG. 7 is a top view thereof; and,
FIG. 8 is a bottom view thereof.
The broken lines depict portions of the camera that form no part of the claimed design.

(56) **References Cited**

U.S. PATENT DOCUMENTS

1,612,277 A 12/1926 Leo
D96,348 S 7/1935 Teaque

1 Claim, 8 Drawing Sheets



(56)

References Cited

U.S. PATENT DOCUMENTS

4,091,402	A	5/1978	Siegel	D535,249	S	1/2007	Ogasawara
4,208,028	A	6/1980	Brown	D535,253	S	1/2007	Buck
D260,513	S	9/1981	Comstock	D538,322	S	3/2007	Horikiri
4,469,423	A	9/1984	Bresson	D544,463	S	6/2007	Harris, Jr.
4,646,141	A	2/1987	Timmermans	D546,277	S	7/2007	Andre
4,733,259	A	3/1988	Ng	D551,969	S	10/2007	Aurilio
D299,651	S	1/1989	Preussner	D555,587	S	11/2007	Yamamoto
D321,705	S	11/1991	Ohmura	D556,803	S	12/2007	Ishida
D328,888	S	8/1992	Zhu	D561,092	S	2/2008	Kim
D329,040	S	9/1992	Seki	D566,151	S	4/2008	Won
5,216,371	A	6/1993	Nagai	D576,486	S	9/2008	Koza
D338,220	S	8/1993	Kohno	D577,729	S	9/2008	Derry
D339,365	S	9/1993	Urcuilio	D577,731	S	9/2008	Altonji
D348,043	S	6/1994	Hamilton	D584,683	S	1/2009	Preliasco
D354,739	S	1/1995	Durham	D594,047	S	6/2009	Lee
5,400,234	A	3/1995	Yu	D594,497	S	6/2009	Hatori
D372,896	S	8/1996	Nagele	D596,217	S	7/2009	Kim
D385,283	S	10/1997	Snyder	7,626,621	B2	12/2009	Ito
D386,147	S	11/1997	Siddoway	7,653,292	B2	1/2010	Yamaguchi
D392,659	S	3/1998	Takano	D610,539	S	2/2010	Dahan
5,808,663	A	9/1998	Okaya	7,683,968	B2	3/2010	Hagihara
D402,955	S	12/1998	Smith	D616,480	S	5/2010	Ookawa
D404,356	S	1/1999	Higgins	D616,742	S	6/2010	Lymn
D407,098	S	3/1999	Goto	D617,360	S	6/2010	Endo
D408,796	S	4/1999	Georgopoulos	7,728,905	B2	6/2010	Tanaka
D409,160	S	5/1999	Sonntag	D621,860	S	8/2010	Fukano
D412,153	S	7/1999	Chen	D622,591	S	8/2010	Biesecker, II
D418,107	S	12/1999	Murray, III	7,768,727	B2	8/2010	Iida
D423,449	S	4/2000	Naskali	7,801,439	B2	9/2010	Nagata
6,153,834	A	11/2000	Cole	D631,835	S	2/2011	Neidhart
D439,218	S	3/2001	Yu	D635,607	S	4/2011	Takagi
D441,386	S	5/2001	Yamazaki	D637,552	S	5/2011	Inman
D442,982	S	5/2001	Adachi	D640,196	S	6/2011	Shuang
6,233,400	B1	5/2001	Muramatsu	D641,389	S	7/2011	Dastagir
D449,577	S	10/2001	Nishio	D642,517	S	8/2011	Inman
6,315,180	B1	11/2001	Watkins	D643,809	S	8/2011	Okuda
D456,006	S	4/2002	Maher	D644,988	S	9/2011	Finney
D457,132	S	5/2002	Petherbridge	8,014,656	B2	9/2011	Woodman
D460,411	S	7/2002	Wang	D646,222	S	10/2011	Tatehata
D463,469	S	9/2002	Kawase	D647,554	S	10/2011	Yim
D463,774	S	10/2002	Buck	D647,935	S	11/2011	Raken
D474,489	S	5/2003	Kawashima	D647,944	S	11/2011	Jannard
D480,682	S	10/2003	Kawase	D648,270	S	11/2011	Jiang
D480,741	S	10/2003	Berger	D654,850	S	2/2012	Obata
D481,995	S	11/2003	Yokota	D654,853	S	2/2012	Bacon
D483,329	S	12/2003	Kuo	D657,808	S	4/2012	Woodman
D484,164	S	12/2003	Ogura	D660,339	S	5/2012	Yoshida
D486,510	S	2/2004	Ogura	D660,788	S	5/2012	Ziring
D487,765	S	3/2004	Dow	8,199,251	B2	6/2012	Woodman
6,718,129	B1	4/2004	Cornell	D664,995	S	8/2012	Akana
D490,370	S	5/2004	Picardo	D665,340	S	8/2012	Obata
D492,248	S	6/2004	Gregory	8,247,106	B2	8/2012	Takeshita
D494,940	S	8/2004	Fiocchi	D667,003	S	9/2012	Richter
D496,674	S	9/2004	Hayashi	D668,247	S	10/2012	Kim
D504,904	S	5/2005	Nagai	D674,749	S	1/2013	Moore
D509,189	S	9/2005	Buck	D676,476	S	2/2013	Ishikura
D510,721	S	10/2005	Axelrod	D680,097	S	4/2013	Davies
D512,371	S	12/2005	Axelrod	D681,550	S	5/2013	Corbin
D515,121	S	2/2006	Bleau	D682,777	S	5/2013	Gupta
D515,613	S	2/2006	Holmes	D682,778	S	5/2013	Baumgartner
D516,502	S	3/2006	Small	8,467,675	B2	6/2013	Chen
D516,503	S	3/2006	Takeshita	D687,426	S	8/2013	Requa
D521,445	S	5/2006	Liu	D690,280	S	9/2013	Schul
D521,446	S	5/2006	Liu	8,542,308	B2	9/2013	Ozawa
D523,808	S	6/2006	Thor	D692,042	S	10/2013	Dawes
D524,241	S	7/2006	Takeshita	8,544,643	B2	10/2013	Yim
D524,836	S	7/2006	Morita	D692,939	S	11/2013	Huang
D526,612	S	8/2006	Sugeno	D699,672	S	2/2014	Kosugi
D527,403	S	8/2006	Byun	D700,136	S	2/2014	Morris
D531,199	S	10/2006	Matsuda	D700,166	S	2/2014	Petersen
D532,029	S	11/2006	Kim	D702,276	S	4/2014	Woodman
D532,030	S	11/2006	Yoshida	D702,278	S	4/2014	Kim
D532,433	S	11/2006	Sato	8,743,277	B2	6/2014	Matsuzawa
D533,574	S	12/2006	Hamamura	D708,189	S	7/2014	An
D534,564	S	1/2007	Tainaka	D708,571	S	7/2014	Ji
				D709,439	S	7/2014	Ferber
				8,792,003	B2	7/2014	Nakamura
				D710,921	S	8/2014	Gioscia
				D710,922	S	8/2014	Gioscia

(56)

References Cited

U.S. PATENT DOCUMENTS

D712,347 S	9/2014	Awiszus	D769,814 S	10/2016	Lin
D712,391 S	9/2014	Kim	D772,804 S	11/2016	Nakashima
D713,868 S	9/2014	Yang	D772,966 S	11/2016	Song
8,828,601 B2	9/2014	Hara	9,507,245 B1	11/2016	Druker
8,837,928 B1	9/2014	Clearman	D773,546 S	12/2016	Nguyen
D715,347 S	10/2014	Troxel	D773,547 S	12/2016	Lee
D715,789 S	10/2014	Yoon	D775,254 S	12/2016	Parfitt
D718,617 S	12/2014	Taylor	D776,183 S	1/2017	Miyazaki
D721,395 S	1/2015	Woodman	D776,610 S	1/2017	Nommensen
D722,043 S	2/2015	Requa	D776,612 S	1/2017	Chen
D722,864 S	2/2015	Greenthal	D776,738 S	1/2017	Clearman
D723,456 S	3/2015	Currah	D776,741 S	1/2017	Parfitt
D724,013 S	3/2015	Zsolcsak	D777,125 S	1/2017	Eder
D724,538 S	3/2015	Baumgartner	D777,236 S	1/2017	Mai
D724,637 S	3/2015	Samuels	D777,240 S	1/2017	Costa
D724,638 S	3/2015	Samuels	D777,821 S	1/2017	Gioscia
D725,169 S	3/2015	Gioscia	D778,335 S	2/2017	Gioscia
D725,590 S	3/2015	Clyne	D778,336 S	2/2017	Gioscia
D725,691 S	3/2015	De Rosa	D779,576 S	2/2017	Ikegame
8,992,102 B1	3/2015	Samuels	D780,111 S	2/2017	Clyne
D726,648 S	4/2015	Zealer	D780,112 S	2/2017	Lin
D727,387 S	4/2015	Hasegawa	D780,244 S	2/2017	Wang
D727,991 S	4/2015	Hasegawa	9,588,407 B1	3/2017	Harrison
9,004,783 B1	4/2015	Woodman	D785,692 S	5/2017	Wang
D729,059 S	5/2015	Taylor	D785,695 S	5/2017	Woodman
D729,761 S	5/2015	Hu	D785,696 S	5/2017	Parfitt
D729,762 S	5/2015	Hu	D785,697 S	5/2017	Costa
D730,287 S	5/2015	Motoyama	D788,835 S	6/2017	Wu
D730,423 S	5/2015	Vandenbussche	D789,435 S	6/2017	Nguyen
9,033,596 B2	5/2015	Samuels	D790,001 S	6/2017	Parfitt
D732,593 S	6/2015	Woodman	D790,002 S	6/2017	Nguyen
D733,781 S	7/2015	Chen	D790,454 S	6/2017	Lee
D733,788 S	7/2015	Baker	D791,211 S	7/2017	Fujita
D734,799 S	7/2015	Woodman	D791,695 S	7/2017	Bergman
9,077,013 B2	7/2015	Huang	D791,848 S	7/2017	Zhu
D737,879 S	9/2015	Woodman	D792,919 S	7/2017	Ryu
D739,451 S	9/2015	Gioscia	D793,463 S	8/2017	Houin
D740,868 S	10/2015	Gioscia	D794,554 S	8/2017	Chang
D741,394 S	10/2015	Gioscia	D794,695 S	8/2017	Zhang
D741,932 S	10/2015	Huang	D794,696 S	8/2017	Nguyen
D742,818 S	11/2015	Lin	D798,929 S	10/2017	Zhou
D742,952 S	11/2015	Nakajima	D800,202 S	10/2017	Hu
D744,572 S	12/2015	Tabuchi	D800,817 S	10/2017	Sutton
D745,589 S	12/2015	Lee	D800,819 S	10/2017	Parfitt
D745,920 S	12/2015	Lee	D803,705 S	11/2017	Read
9,204,021 B2	12/2015	Woodman	D803,919 S	11/2017	Jeong
D750,146 S	2/2016	Costa	D803,920 S	11/2017	Shin
D750,680 S	3/2016	Chen	D803,925 S	11/2017	Hoshi
D750,686 S	3/2016	Chen	D804,560 S	12/2017	Costa
D750,687 S	3/2016	Samuels	D805,117 S	12/2017	Nguyen
D750,690 S	3/2016	Lee	D805,569 S	12/2017	Daugela
D751,131 S	3/2016	Woodman	D806,155 S	12/2017	Parfitt
D752,672 S	3/2016	Clearman	D806,775 S	1/2018	Nguyen
D753,749 S	4/2016	Zhu	D808,163 S	1/2018	Song
D754,238 S	4/2016	Woodman	D808,898 S	1/2018	Walker
D754,769 S	4/2016	Patulski	D814,543 S	4/2018	Oshima
D755,270 S	5/2016	Vehlewald	D815,032 S	4/2018	Lin
D755,271 S	5/2016	Patulski	D815,677 S	4/2018	Gao
D755,274 S	5/2016	Lee	D816,753 S	5/2018	Zhang
D755,874 S	5/2016	Yang	D818,025 S	5/2018	Wong
D758,467 S	6/2016	Zhang	D818,028 S	5/2018	Ramones
D759,145 S	6/2016	Lee	D818,029 S	5/2018	Fujita
D759,585 S	6/2016	Herbst	D819,718 S	6/2018	Wu
D760,309 S	6/2016	Parfitt	D820,335 S	6/2018	Favè
D760,312 S	6/2016	Lee	D820,339 S	6/2018	Yau
9,360,742 B1	6/2016	Harrison	D820,898 S	6/2018	Fujita
9,395,031 B1	7/2016	Clearman	D821,480 S	6/2018	Gioscia
D762,759 S	8/2016	Wu	D821,481 S	6/2018	Gioscia
D763,346 S	8/2016	Jenkins	D824,982 S	8/2018	Lee
D763,941 S *	8/2016	Smith D16/200	D825,636 S	8/2018	Hueber
D764,559 S	8/2016	Luo	D829,260 S	9/2018	Fujita
D765,594 S	9/2016	Li	D830,446 S	10/2018	Muhlenkamp, IV
D766,175 S	9/2016	Tsiopanos	D832,905 S	11/2018	Liu
D766,351 S	9/2016	Li	D832,906 S	11/2018	Hasegawa
D769,346 S	10/2016	Nguyen	D833,505 S *	11/2018	Hu D16/202
			D835,172 S	12/2018	Fujita
			D835,574 S	12/2018	Trongone
			D835,910 S	12/2018	Eliyahu
			D836,696 S	12/2018	Zhang

(56)

References Cited

U.S. PATENT DOCUMENTS

D837,861 S 1/2019 Luo
 D837,865 S 1/2019 Parfitt
 D838,762 S 1/2019 Piekarski
 D839,335 S 1/2019 Zhang
 D839,945 S 2/2019 Lenz
 D840,463 S 2/2019 Nguyen
 D842,142 S 3/2019 Recker
 D848,509 S 5/2019 Lee
 D849,076 S 5/2019 Bertram
 D849,078 S 5/2019 Girotti
 D849,084 S 5/2019 Hu
 D849,100 S 5/2019 Hsu
 D849,108 S 5/2019 Huang
 D849,730 S 5/2019 Charette
 D850,513 S 6/2019 Gan
 D851,155 S 6/2019 Hu
 D852,255 S 6/2019 Guo
 D852,256 S 6/2019 Bai
 D854,597 S 7/2019 Gao
 D855,675 S 8/2019 Luo
 D857,076 S 8/2019 Gan
 D859,498 S 9/2019 Lin
 D861,592 S 10/2019 Venugopal
 D861,761 S 10/2019 Bergman
 D861,765 S 10/2019 Muhlenkamp, IV
 D861,766 S 10/2019 Lim
 D863,404 S 10/2019 Karpenko
 D864,275 S 10/2019 Huang
 D865,843 S 11/2019 Hu
 D865,844 S 11/2019 Jalala
 D865,845 S 11/2019 Sakai
 D867,420 S 11/2019 Zhang
 D867,427 S 11/2019 Bai
 D868,871 S 12/2019 Nguyen
 D868,874 S 12/2019 Muhlenkamp, IV
 D869,844 S 12/2019 Eliyahu
 D870,176 S 12/2019 Hokari
 D870,183 S 12/2019 Tsukamoto
 D871,480 S 12/2019 Hu
 10,523,925 B2 12/2019 Woodman
 D872,162 S 1/2020 Gao
 10,536,615 B2 1/2020 Campbell
 D876,521 S 2/2020 Costa
 10,574,871 B2 2/2020 Abbas
 D880,561 S 4/2020 Muhlenkamp
 D880,567 S 4/2020 Zhang
 D880,569 S 4/2020 Zhang
 D881,974 S 4/2020 Nguyen
 D882,666 S 4/2020 Tsukamoto
 D884,597 S 5/2020 Pilliod
 D887,970 S 6/2020 Himeno
 D890,709 S 7/2020 Lim
 D890,835 S 7/2020 Nguyen
 D892,194 S 8/2020 Nguyen
 D892,905 S 8/2020 Nguyen
 D894,256 S 8/2020 Vitale
 D897,400 S 9/2020 Liu
 D897,403 S 9/2020 Liu
 D897,408 S 9/2020 Tsukamoto
 10,768,508 B1 9/2020 Woodman
 D900,911 S 11/2020 Muhlenkamp, IV
 D903,740 S 12/2020 Au
 D906,396 S 12/2020 Schaarschmidt
 D907,101 S 1/2021 Coster
 D907,680 S 1/2021 Nguyen
 D911,412 S 2/2021 Alberstein
 D911,418 S 2/2021 Yap
 D912,120 S 3/2021 Druker
 D920,419 S 5/2021 Muhlenkamp, IV
 D921,737 S 6/2021 Liang
 D921,740 S 6/2021 Coster
 D923,075 S 6/2021 Grant
 D925,643 S 7/2021 Hsu
 D926,243 S 7/2021 Tsukamoto
 D928,863 S 8/2021 Alberstein

D939,608 S 12/2021 Han
 D939,610 S 12/2021 Han
 D941,904 S * 1/2022 Coster D16/219
 2001/0034163 A1 10/2001 Chiang
 2002/0046218 A1 4/2002 Gilbert
 2002/0090212 A1 7/2002 Shimamura
 2002/0136557 A1 9/2002 Shimamura
 2003/0156212 A1 8/2003 Kingetsu
 2004/0223752 A1 11/2004 Ghanouni
 2005/0019029 A1 1/2005 Kawakami
 2005/0212959 A1 9/2005 Manabe
 2006/0233545 A1 10/2006 Senba
 2006/0257137 A1 11/2006 Fromm
 2007/0019948 A1 1/2007 Terada
 2007/0071423 A1 3/2007 Fantone
 2007/0140686 A1 6/2007 Misawa
 2008/0117328 A1 5/2008 Daoud
 2008/0248703 A1 10/2008 Russell
 2009/0032420 A1 2/2009 Zenzai
 2010/0060747 A1 3/2010 Woodman
 2010/0061711 A1 3/2010 Woodman
 2011/0001834 A1 1/2011 Herrell
 2011/0042530 A1 2/2011 Phillips
 2011/0129210 A1 6/2011 McGucken
 2011/0216195 A1 9/2011 Tanaka
 2011/0223447 A1 9/2011 Ignor
 2011/0317065 A1 12/2011 Lin
 2013/0186310 A1 7/2013 Lymberis
 2013/0200768 A1 8/2013 Miura
 2013/0321696 A1 12/2013 Bae
 2014/0060582 A1 3/2014 Hartranft
 2014/0160349 A1 6/2014 Huang
 2015/0022717 A1 1/2015 Coons
 2015/0122849 A1 5/2015 Jones
 2015/0189131 A1 7/2015 Woodman
 2015/0316835 A1 11/2015 Scott
 2015/0318579 A1 11/2015 Kwon
 2016/0116828 A1 4/2016 Clearman
 2016/0119516 A1 4/2016 Clearman
 2016/0131963 A1 5/2016 Clearman
 2016/0209731 A1 7/2016 Song
 2016/0274338 A1 9/2016 Davies
 2017/0059967 A1 3/2017 Harrison
 2017/0111559 A1 4/2017 Abbas
 2017/0150236 A1 5/2017 Newman
 2017/0195550 A1 7/2017 Kim
 2017/0289413 A1 10/2017 Samuels
 2017/0324890 A1 11/2017 Moskovchenko
 2018/0039162 A1 2/2018 Ali
 2018/0081258 A1 3/2018 Clyne
 2018/0084194 A1 3/2018 Woodman
 2018/0084215 A1 3/2018 Jing
 2018/0102123 A1 4/2018 Tisch
 2018/0103189 A1 4/2018 Nguyen
 2018/0103190 A1 4/2018 Nguyen
 2018/0146122 A1 5/2018 Campbell
 2018/0198989 A1 7/2018 MacMillan
 2018/0262682 A1 9/2018 Wang
 2019/0179214 A1 6/2019 Hara
 2020/0159091 A1 5/2020 Vitale
 2020/0184690 A1 6/2020 Guérin
 2020/0204721 A1 6/2020 Douady
 2020/0204772 A1 6/2020 Gounelle
 2020/0218136 A1 7/2020 Au
 2020/0221010 A1 7/2020 Douady
 2020/0221219 A1 7/2020 Hardin
 2020/0259978 A1 8/2020 Abbas

FOREIGN PATENT DOCUMENTS

CN 1892403 A 1/2007
 CN 101078859 A 11/2007
 CN 101331815 A 12/2008
 CN 102005552 A 4/2011
 CN 207083334 U 3/2018
 CN 207531231 U 6/2018
 EP 0031985220005 2/2018
 JP H05304625 A 11/1993
 JP 2001217564 A 8/2001

(56)

References Cited

FOREIGN PATENT DOCUMENTS

JP	2003142841 A	5/2003
JP	2007057997 A	3/2007
JP	1595273	1/2018
JP	1595299	1/2018
JP	2018107558 A	7/2018

OTHER PUBLICATIONS

Amazon.com: Ailuki Rechargeable Battery 1490MAH 2 Pack and 3-Channel Charger for GoPro Hero. Published Jun. 22, 2017. Retrieved from the internet at <<https://www.amazon.com/Rechargeable-Battery-3-Channel-Compatible-Original/dp/B0734J76NN/>>, Jan. 19, 2019. 1 page. (Year: 2017).

Amazon.com: GoPro Battery (Fusion) . . . Date First Available of Feb. 1, 2018. Retrieved from the internet at <<https://www.amazon.com/GoPro-Camera-ASBBA-001-Fusion-Battery/dp/B078XY2L42/>>, Sep. 14, 2020. 1 page. (Year: 2018).

Chinese Office Action, Chinese Application No. 201430488714.2, dated Mar. 12, 2015, 3 pages.

International Search Report and Written Opinion for App. No. PCT/CN2020/099915, dated Mar. 25, 2021, 10 pages.

International Search Report and Written Opinion for App. No. PCT/US2020/050479 dated Dec. 3, 2020, 6 pages.

International Search Report and Written Opinion for App. No. PCT/US2020/050483 dated Nov. 12, 2020, 9 pages.

Kingma Ebay. Ebay.com. [published Nov. 10, 2016][online][Accessed Feb. 28, 2017]<URL:<http://www.ebay.com/itm/KingMa->

AHDBT-501-Li-ion-Battery-1220- mAh-Dual-Charger-For-Gopro-Hero-5-Camera-/272413104511>. 4 pages.

Office Action for Taiwanese Patent Application No. TW103304745, dated Jan. 28, 2016, 3 Pages.

PCT International Search Report and Written Opinion for PCT/US2014/058465, dated Dec. 23, 2014, 17 pages.

PCT International Search Report and Written Opinion for PCT/US2014/070655, dated Apr. 29, 2015, 13 Pages.

Shophewall Tin Eye. Tineye.com[published Feb. 9, 2017][online][Accessed Feb. 27, 2017]. <URL:<https://tineye.com/search/2432380143a2cf364f8dd9e5150bce62a316525-f/?extension.sub.--ver=chrome-1.1.5>>. 4 pages.

Design U.S. Appl. No. 29/663,435, filed Sep. 14, 2018, 65 pages.

Design U.S. Appl. No. 29/694,559, filed Jun. 11, 2019, 25 pages.

United States Office Action for U.S. Appl. No. 14/148,536, dated Jul. 9, 2014, 9 pages.

United States Office Action for U.S. Appl. No. 14/536,683, dated Dec. 18, 2014, 14 Pages.

United States Office Action for U.S. Appl. No. 14/536,683, dated Jun. 9, 2015, 16 pages.

United States Office Action for U.S. Appl. No. 14/536,683, dated Sep. 21, 2015. 15 Pages.

United States Office Action, U.S. Appl. No. 29/576,880, dated Mar. 9, 2017, 13 pages.

Design U.S. Appl. No. 29/631,230, filed Feb. 28, 2017, 79 pages.

Design U.S. Appl. No. 29/699,945, filed Jul. 30, 2019, 8 pages.

youtube.com: Ailuki Battery Charger for GoPro Hero 5/6/7 at ~9 seconds; published by Jake Wipp on Mar. 15, 2019; retrieved from the internet at <<<https://www.youtube.com/watch?v=M13sf6NBkVE>>> on Apr. 24, 2019; 1 page.

* cited by examiner

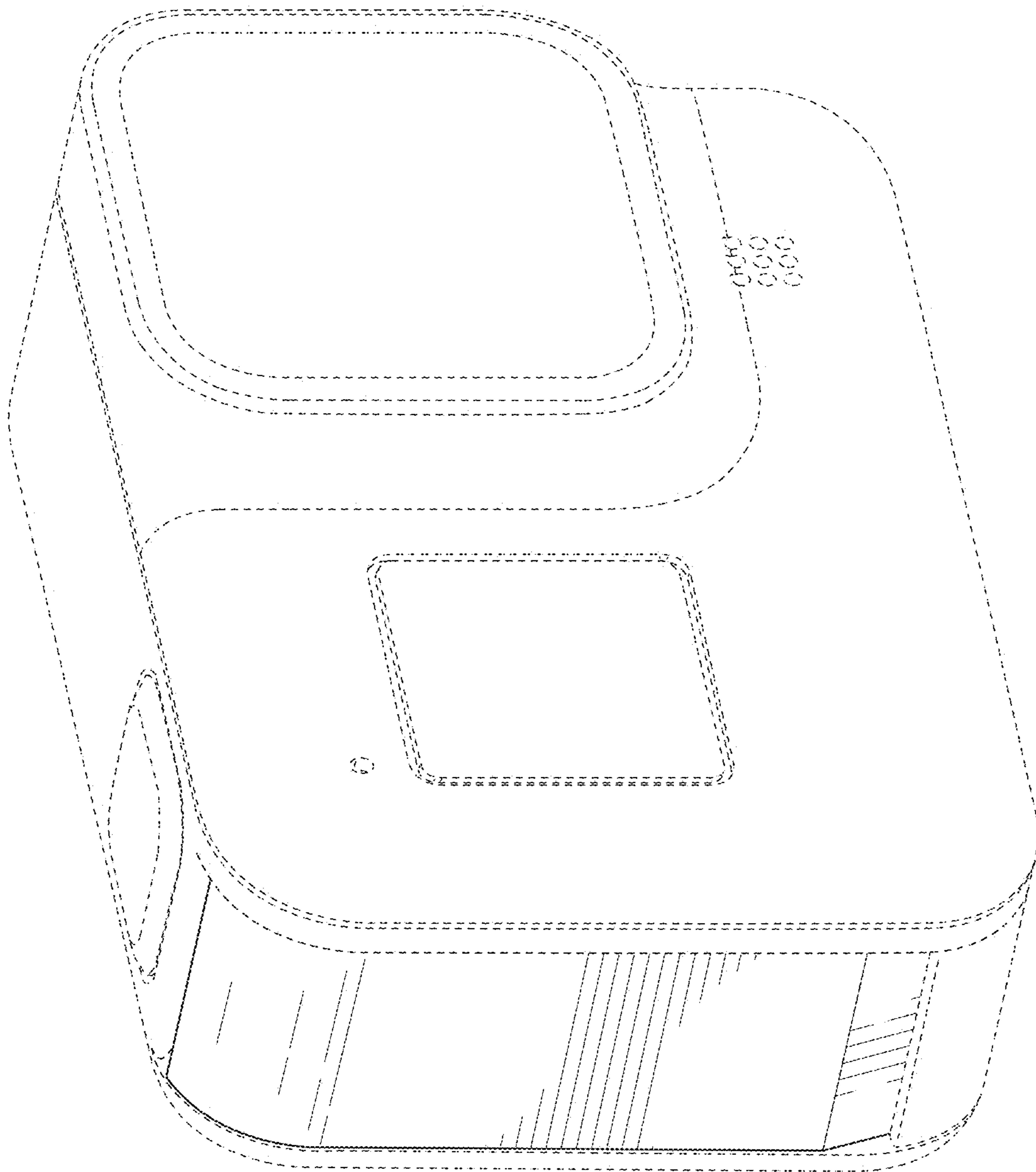


FIG. 1

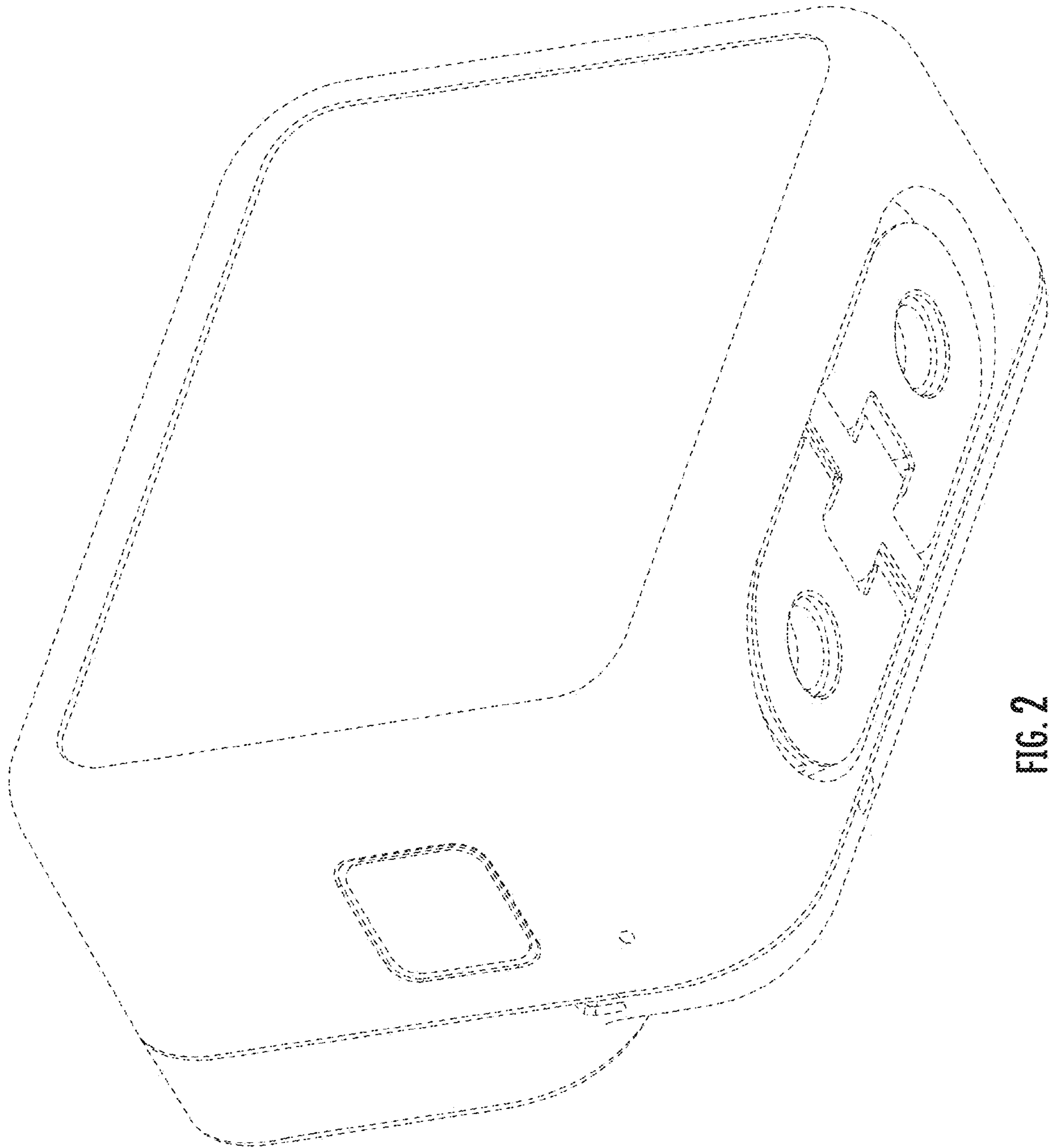


FIG. 2

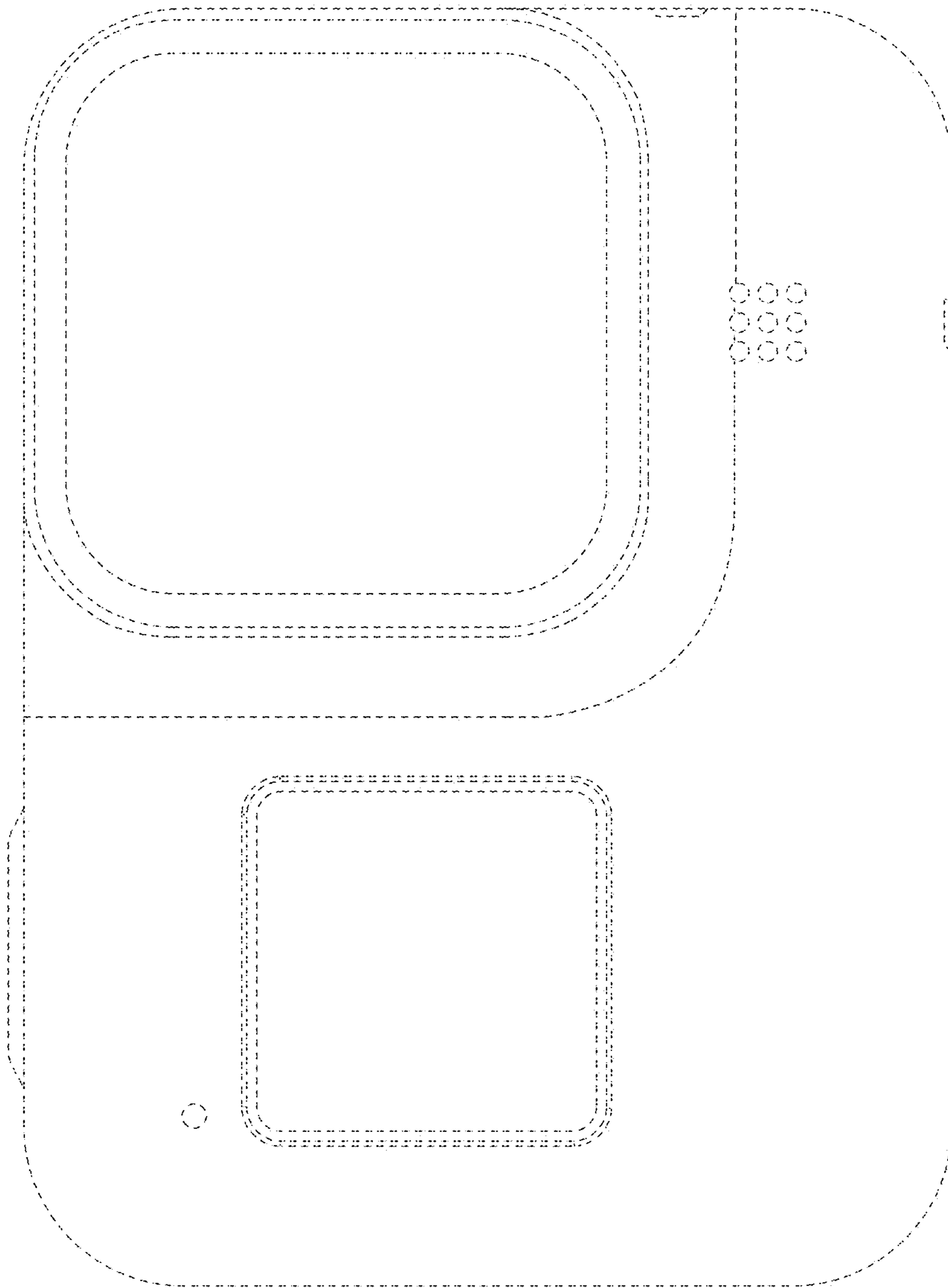


FIG. 3

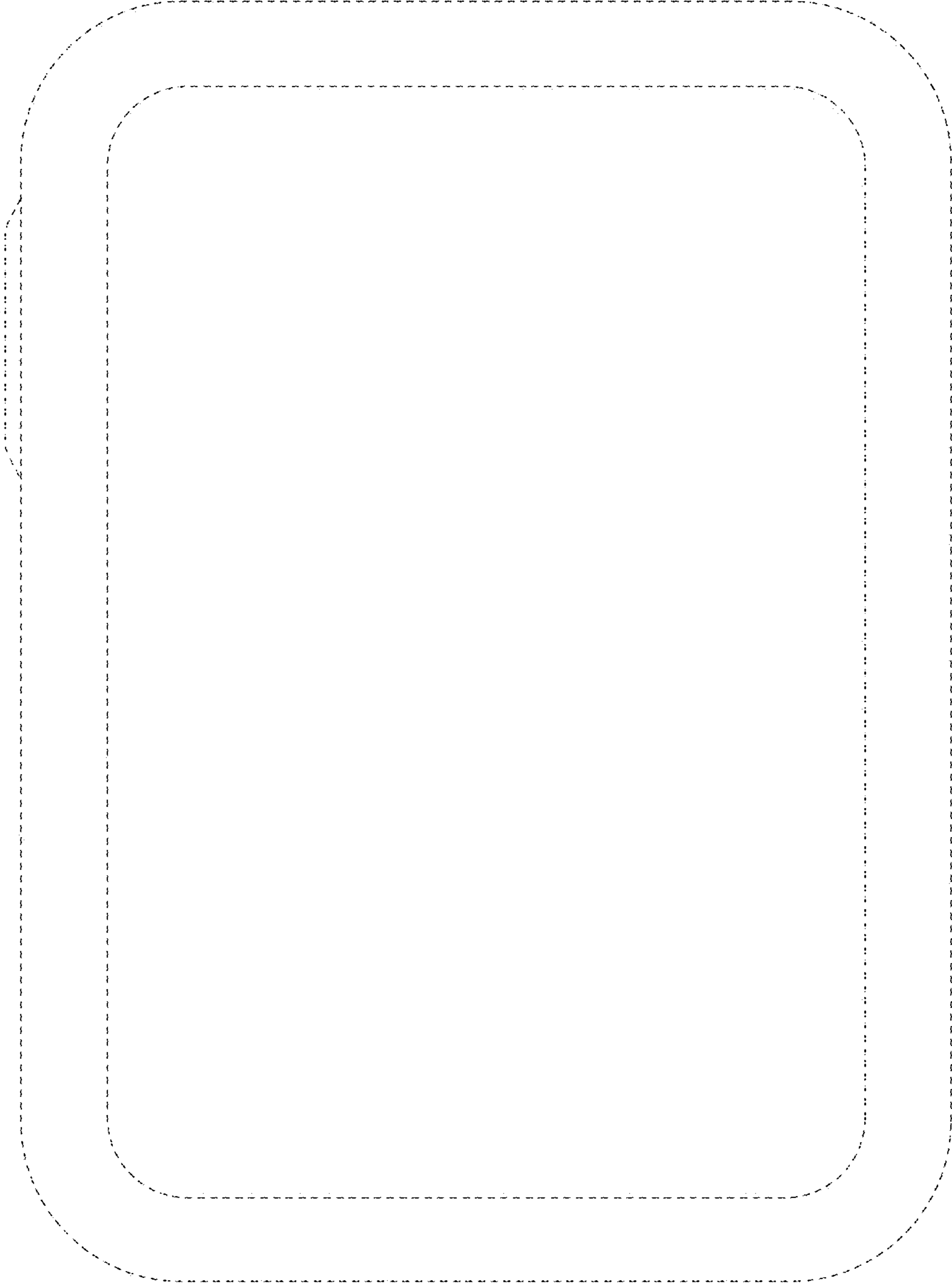


FIG. 4

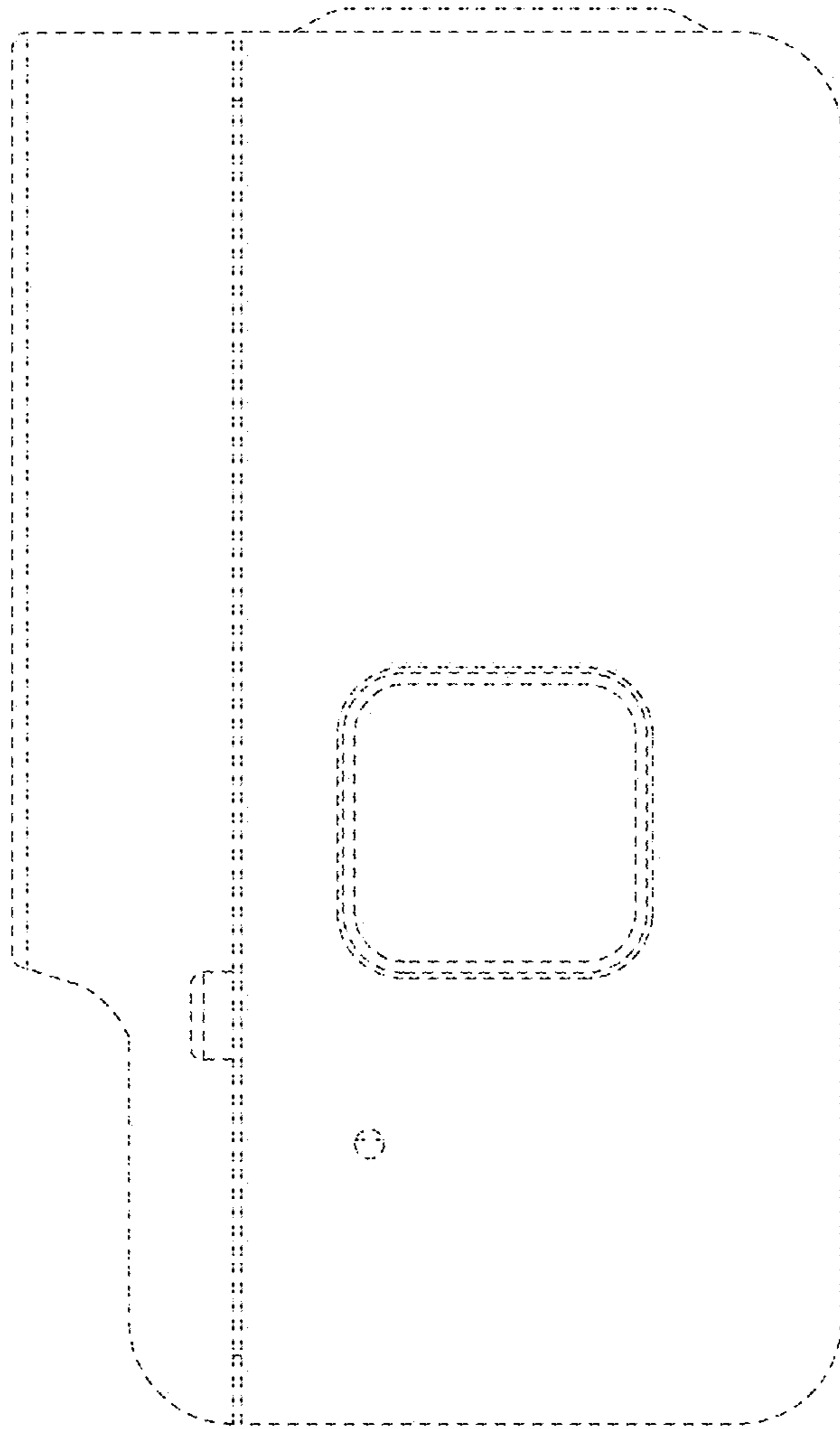


FIG. 5

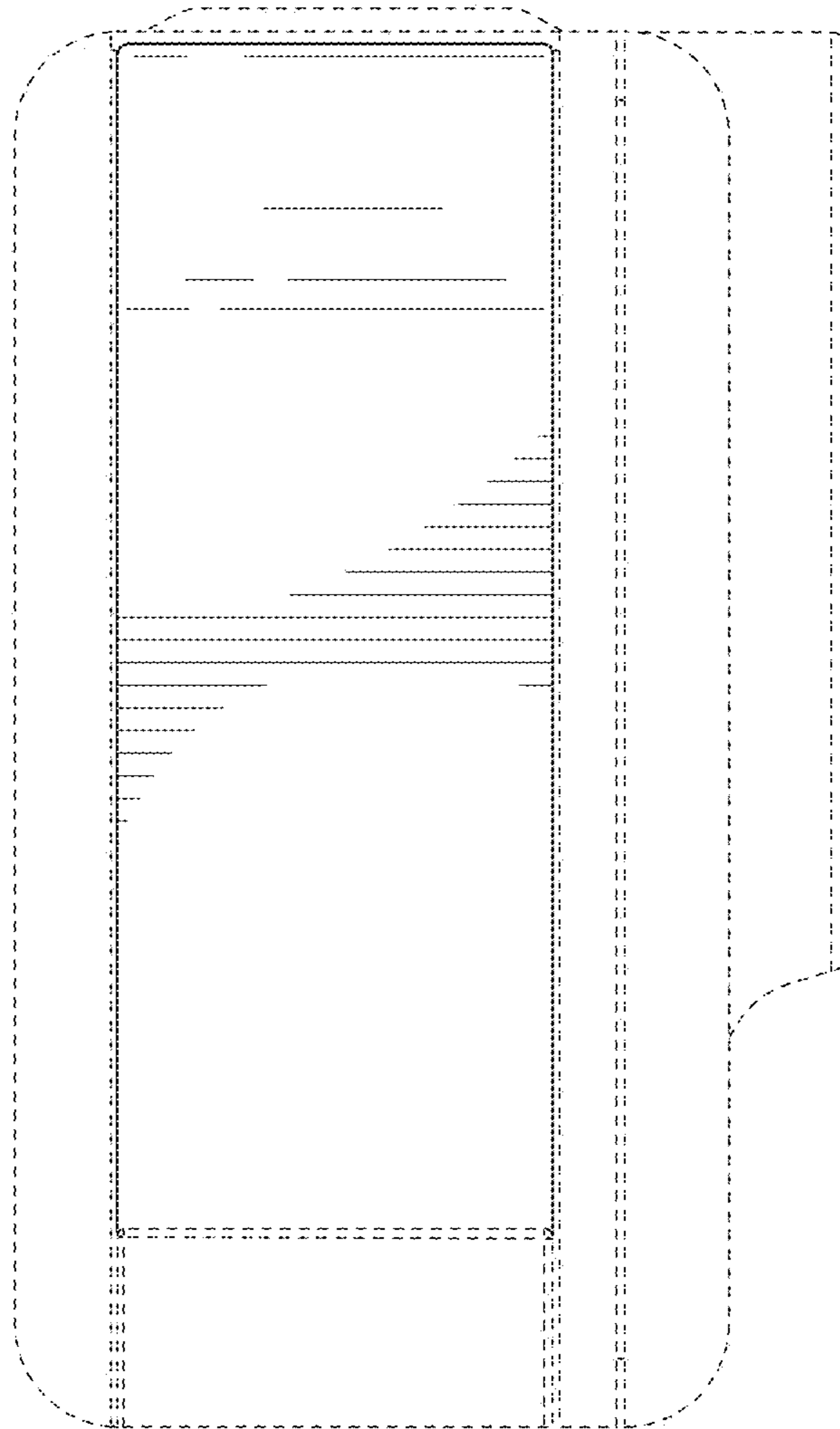


FIG. 6

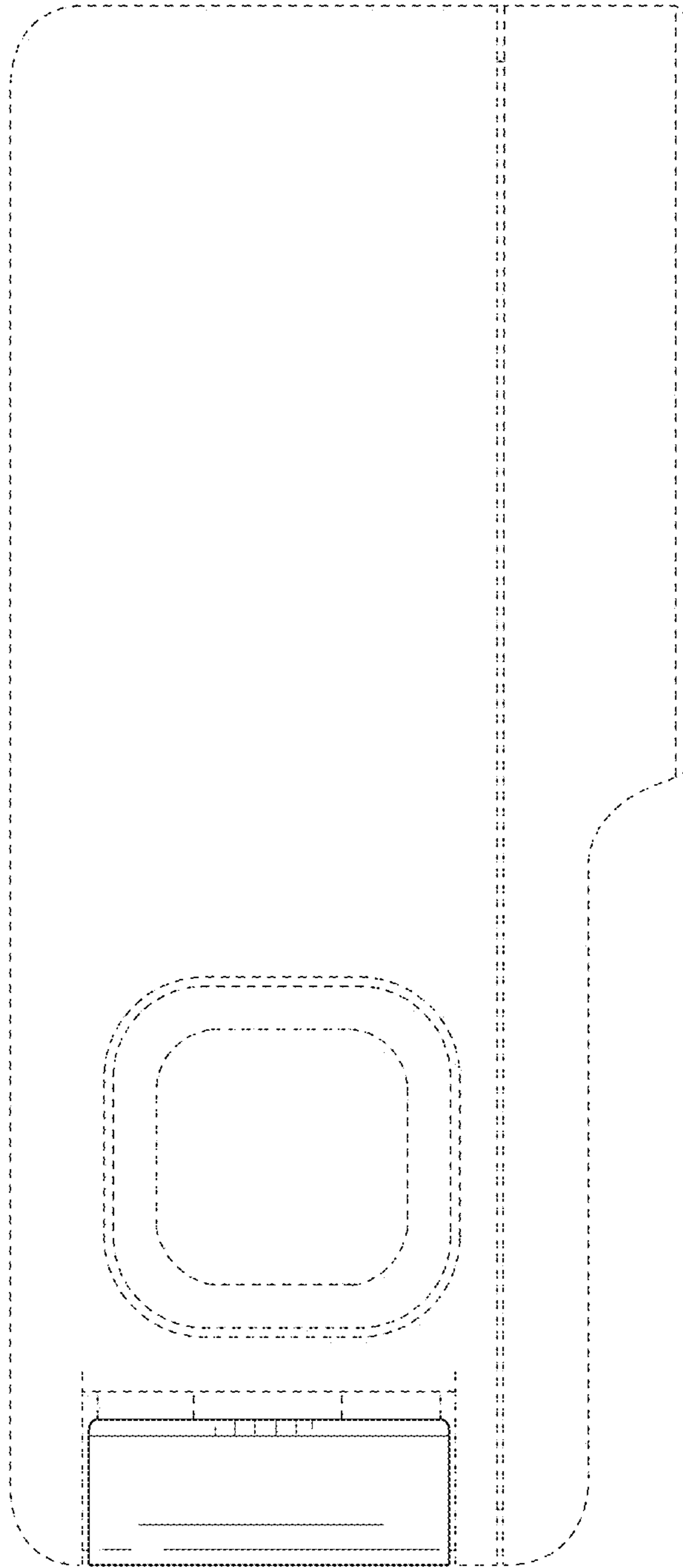


FIG. 7

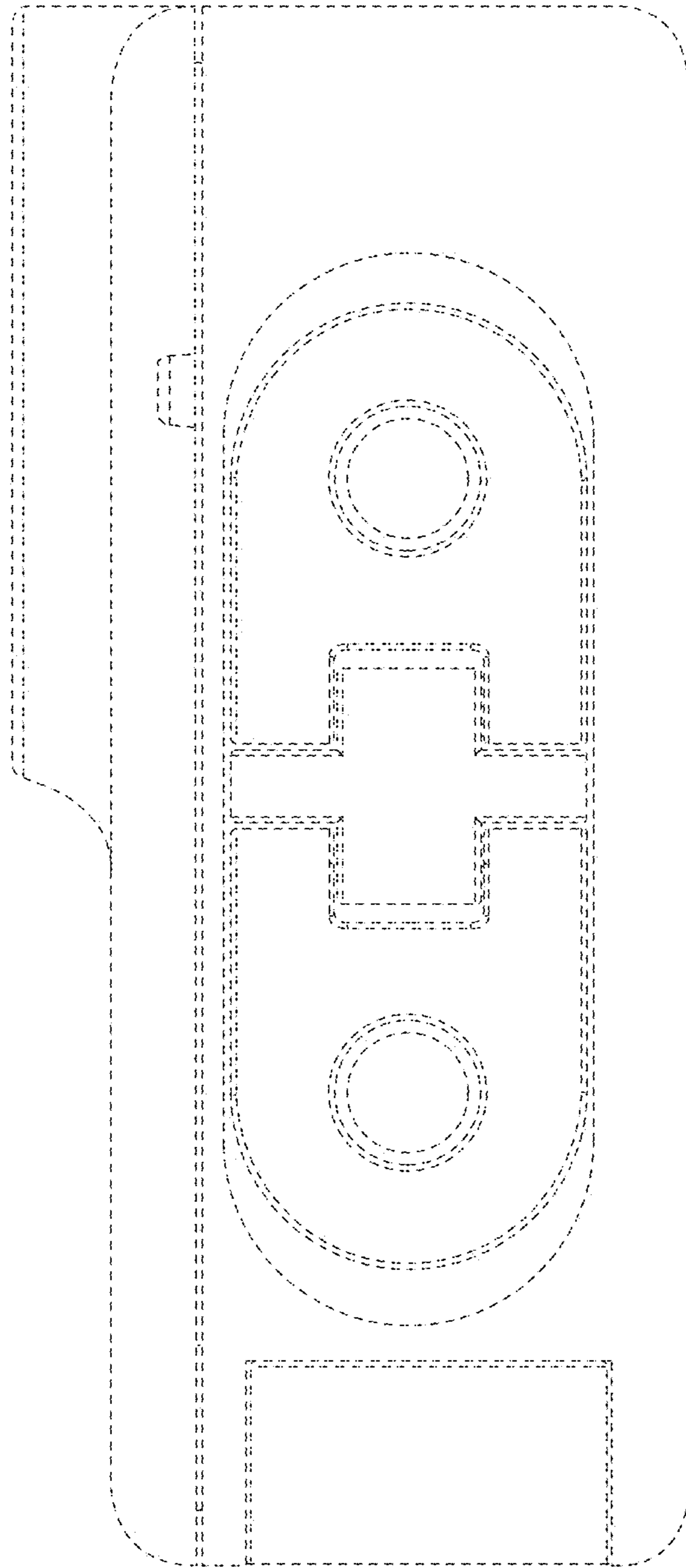


FIG. 8