



US00D956119S

(12) **United States Design Patent**
Zhang

(10) **Patent No.:** **US D956,119 S**
(45) **Date of Patent:** **** Jun. 28, 2022**

(54) **DIGITAL MICROSCOPE**

H04J 11/00; H04J 13/00; E06B 9/24;
G03B 17/02; C03B 2215/46

(71) Applicant: **Shenzhen Aikexue Education
Technology Co., Ltd., Guangdong
(CN)**

See application file for complete search history.

(72) Inventor: **Qian Zhang, Guangdong (CN)**

(56) **References Cited**

(73) Assignee: **Shenzhen Aikexue Education
Technology Co., Ltd., Shenzhen (CN)**

U.S. PATENT DOCUMENTS

(**) Term: **15 Years**

D420,028 S *	2/2000	Wani	D16/131
D457,178 S *	5/2002	Knoblich	D16/131
D607,030 S *	12/2009	Hoelbl	D16/131
D639,324 S *	6/2011	Stohr	D16/131
D672,800 S *	12/2012	Muraki	D16/131
D681,087 S *	4/2013	Kung	D16/131
D681,089 S *	4/2013	Au	D16/131

(21) Appl. No.: **29/690,088**

(Continued)

(22) Filed: **May 6, 2019**

Primary Examiner — Richard Kearney
Assistant Examiner — Benjamin M Weeks

(30) **Foreign Application Priority Data**

(57) **CLAIM**

Nov. 5, 2018 (CN) 201830622249.5

The ornamental design for a digital microscope, as shown and described.

(51) **LOC (13) Cl.** **16-06**

DESCRIPTION

(52) **U.S. Cl.**

USPC **D16/131**

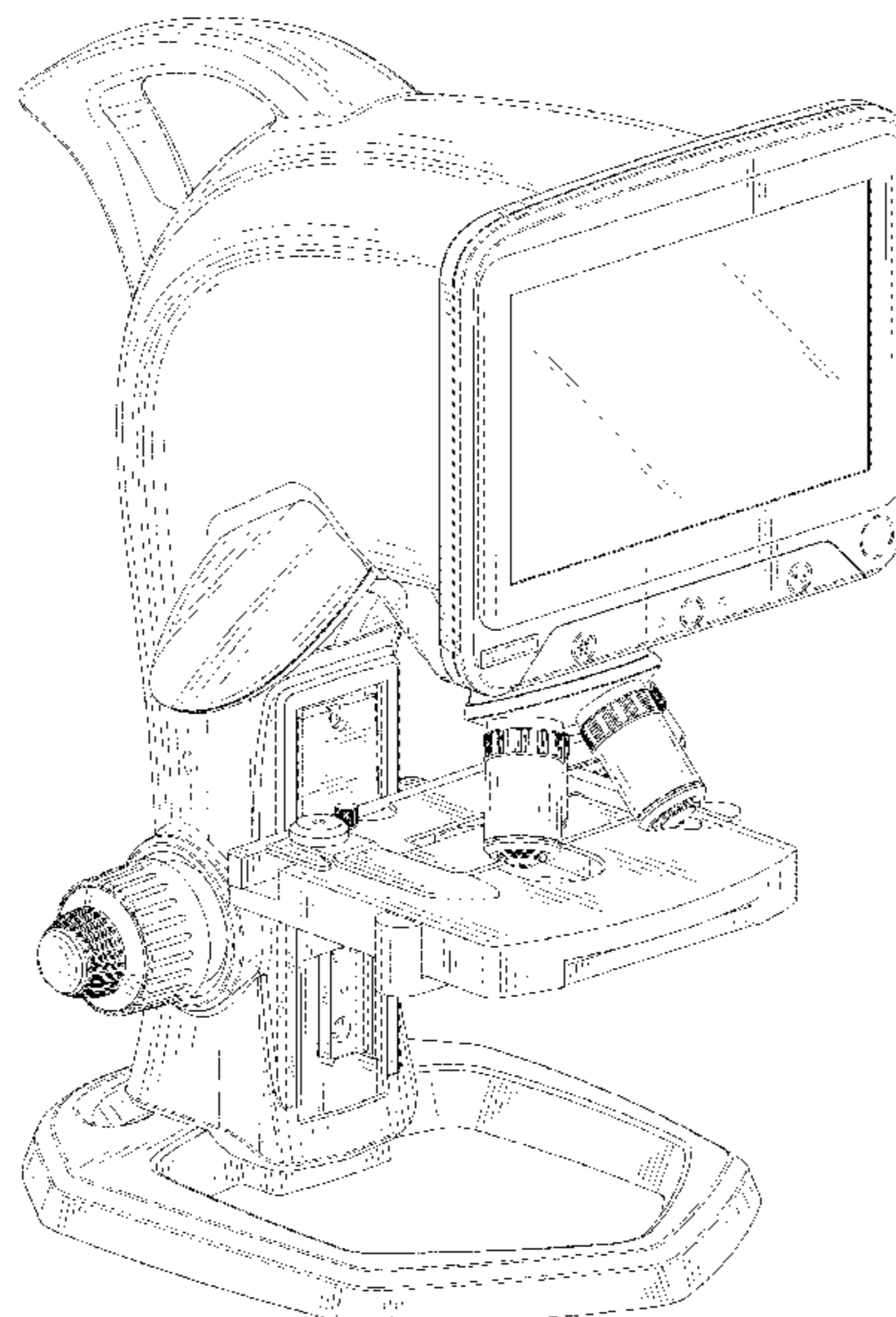
(58) **Field of Classification Search**

USPC D10/70, 109.1, 109.2; D16/134, 130,
D16/131, 132, 135, 136, 202–208, 245,
D16/219; D24/120, 113, 118, 119, 121,
D24/122, 124, 125, 128

CPC ... G01C 3/00; G01C 3/02; G01C 3/04; G01C
3/06; G01C 3/08; G01C 3/085; G01C
3/10; G01C 3/12; G01C 3/16; G01C
3/18; G01C 3/20; G01C 3/22; G01C
3/24; G01C 3/26; G01C 3/28; G01C
3/30; G01C 3/32; B60Q 1/04; B60Q
1/26; F21S 8/026; F21S 8/04; F21V
29/004; F21V 21/02; F21V 21/04; F21V
29/2212; F21Y 2101/02; G02B 27/026;
G02B 23/16; G02B 2003/0093; G02B
3/04; G02B 21/00; G02B 21/0004; G02B
21/0012; G02B 21/002; G02B 21/0088;

FIG. 1 is a top, front and left side perspective view of a digital microscope showing my new design;
FIG. 2 is a top, front and right side perspective view thereof;
FIG. 3 is a bottom, front and left side perspective view thereof;
FIG. 4 is a top, rear and right side perspective view thereof;
FIG. 5 is a front elevational view thereof;
FIG. 6 is a rear elevational view thereof;
FIG. 7 is a left side view thereof;
FIG. 8 is a right side view thereof;
FIG. 9 is a top plan view thereof;
FIG. 10 is a bottom plan view thereof;
FIG. 11 is an enlarged view of portion 11 in FIG. 2;
FIG. 12 is an enlarged view of portion 12 in FIG. 2; and,
FIG. 13 is an enlarged view of portion 13 in FIG. 3.
The broken lines in the drawings illustrate portions of the digital microscope which form no part of the claimed design.

1 Claim, 13 Drawing Sheets



(56)

References Cited

U.S. PATENT DOCUMENTS

D748,176 S	*	1/2016	Hofmann	D16/131
D859,487 S	*	9/2019	Chen	D16/131
D865,833 S	*	11/2019	Chen	D16/131
D866,629 S	*	11/2019	Chen	D16/131
D866,630 S	*	11/2019	Chen	D16/131
D909,443 S	*	2/2021	Chen	D16/131

* cited by examiner

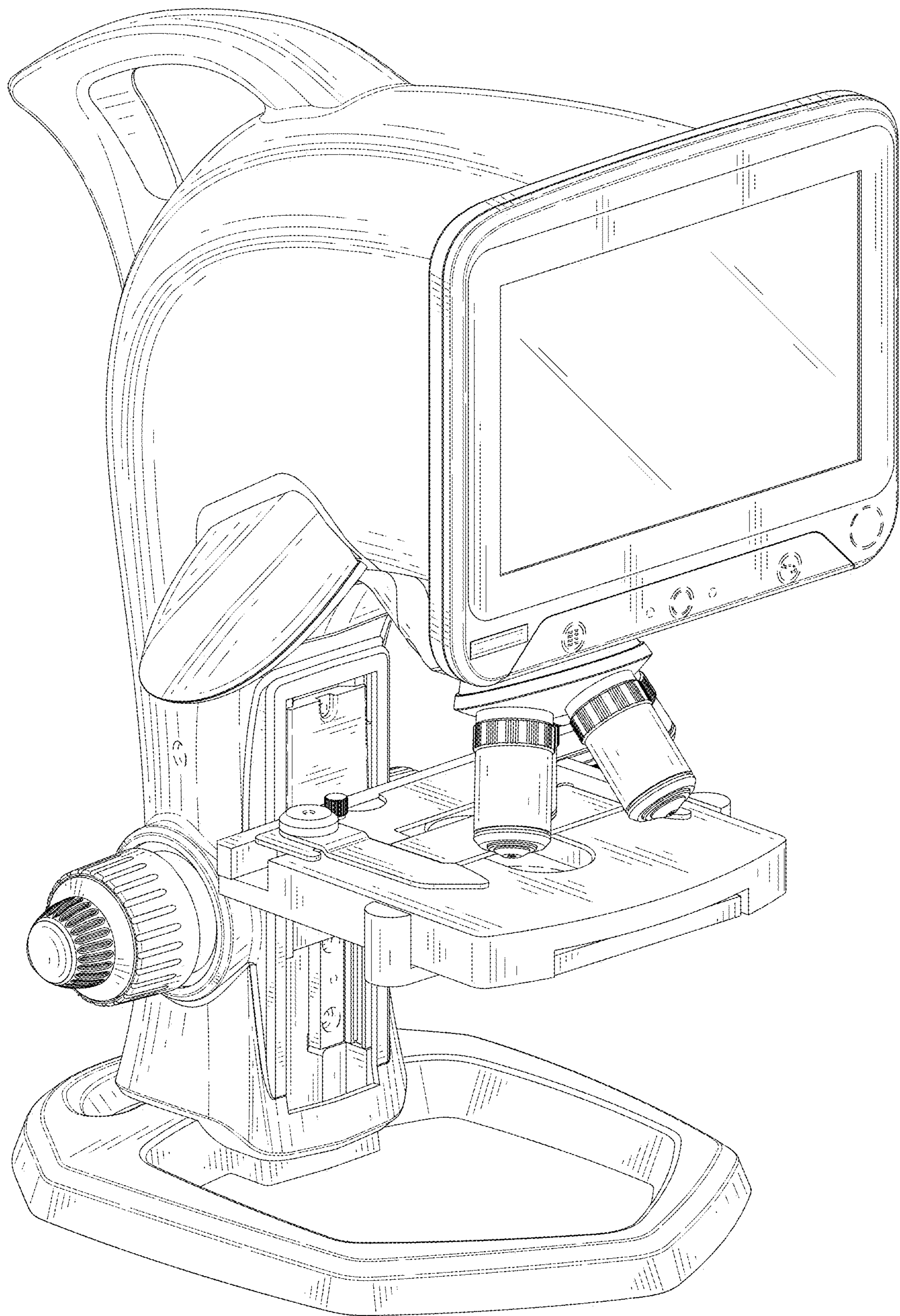


FIG. 1

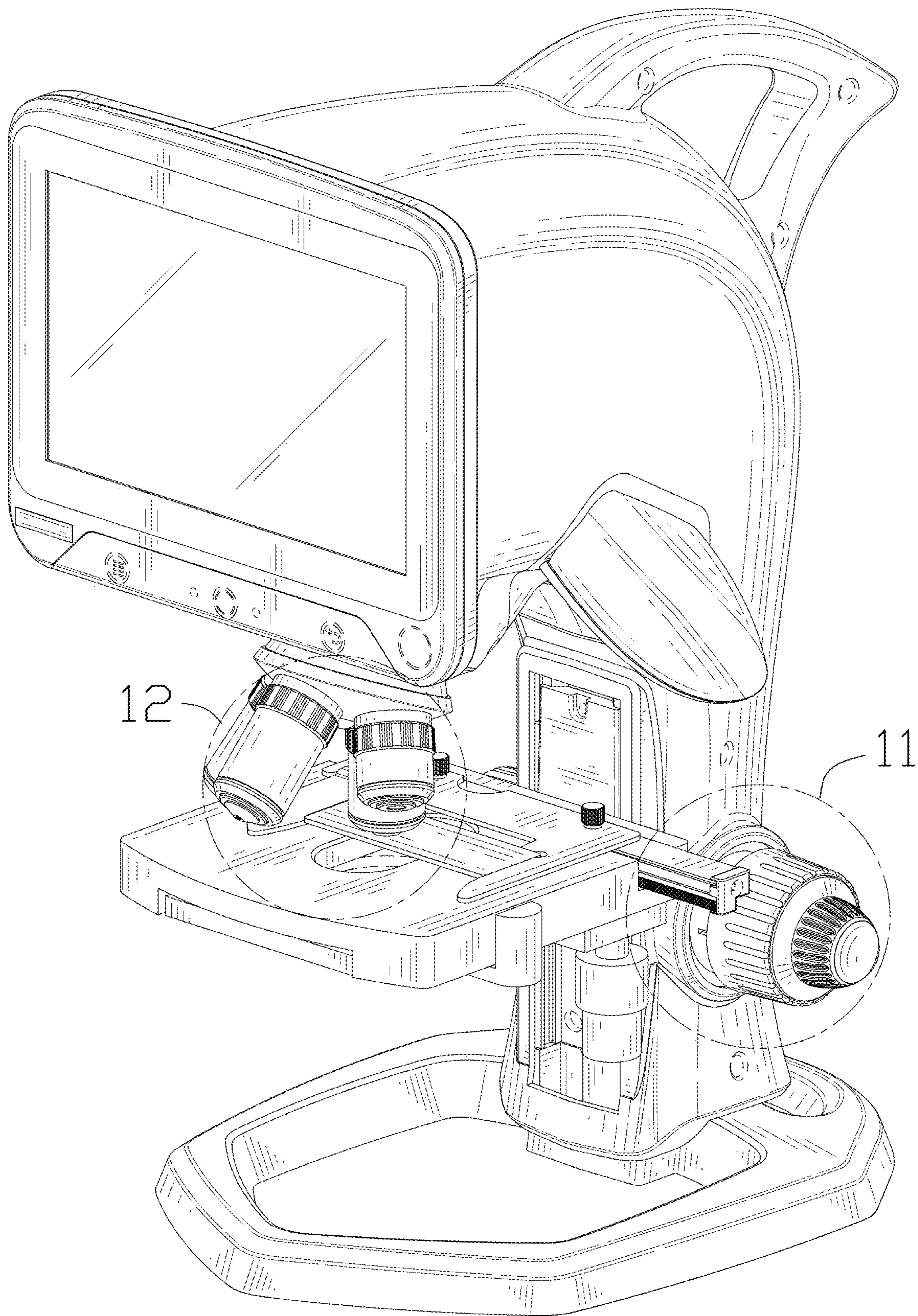


FIG. 2

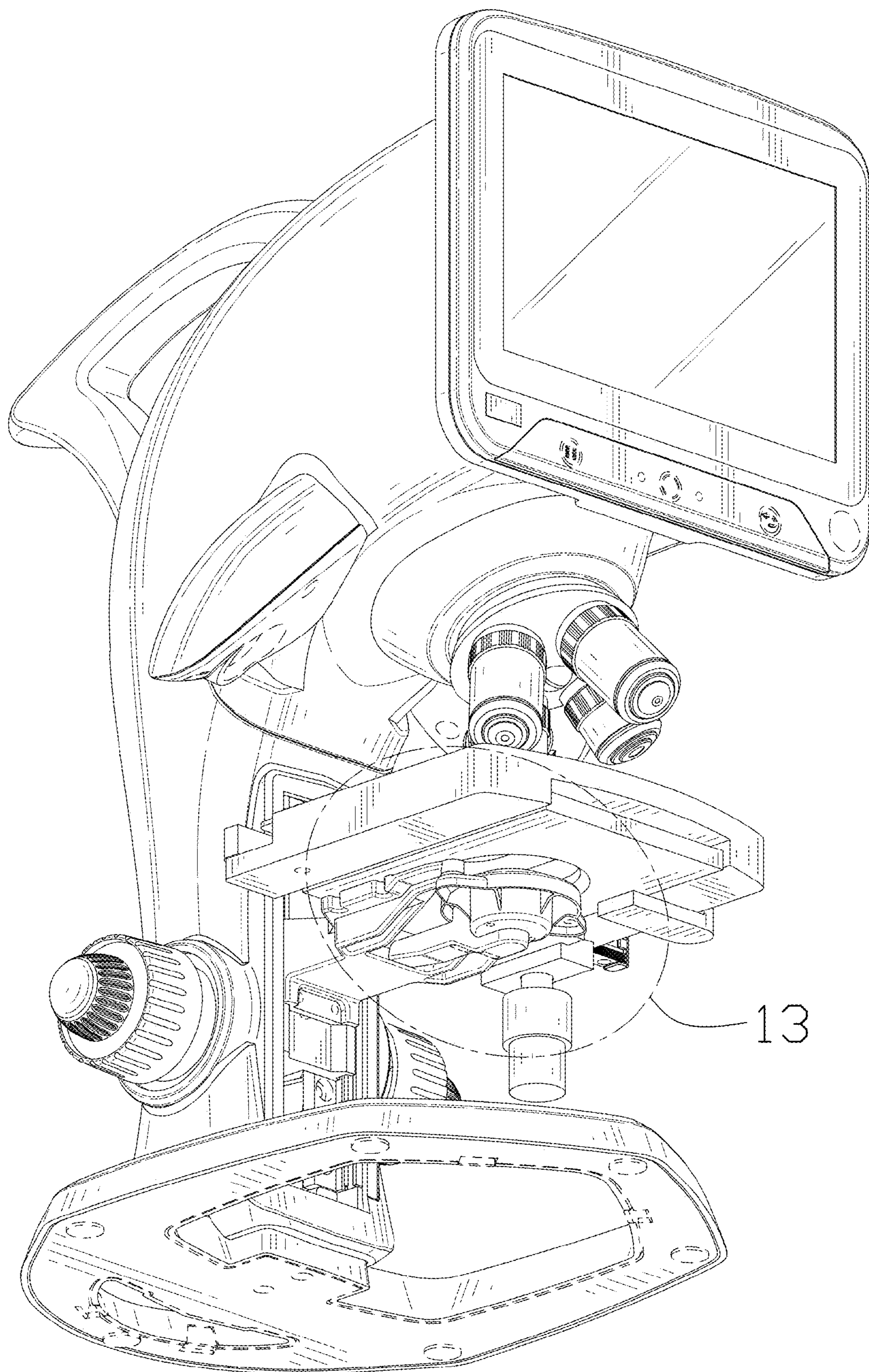


FIG. 3

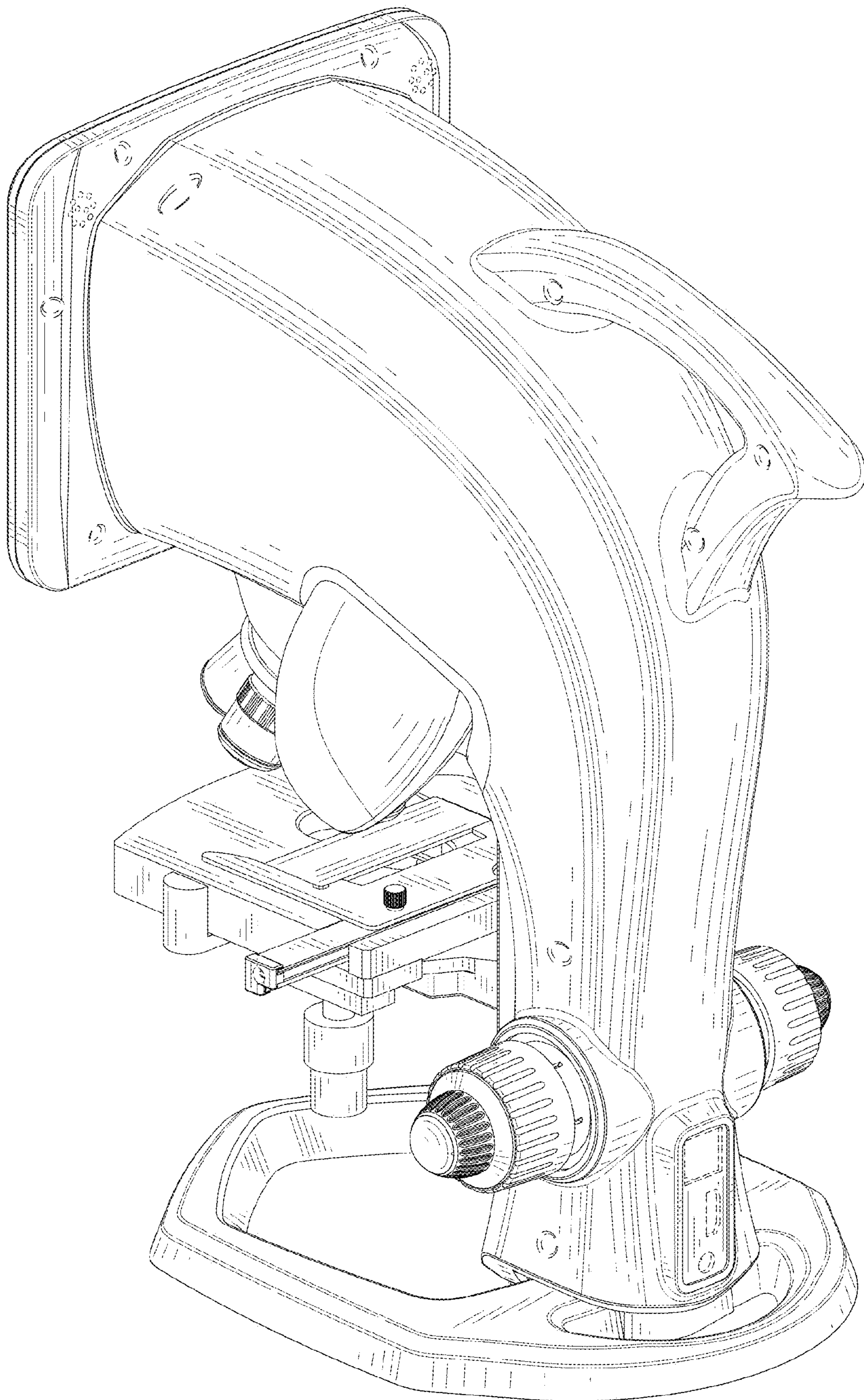


FIG. 4

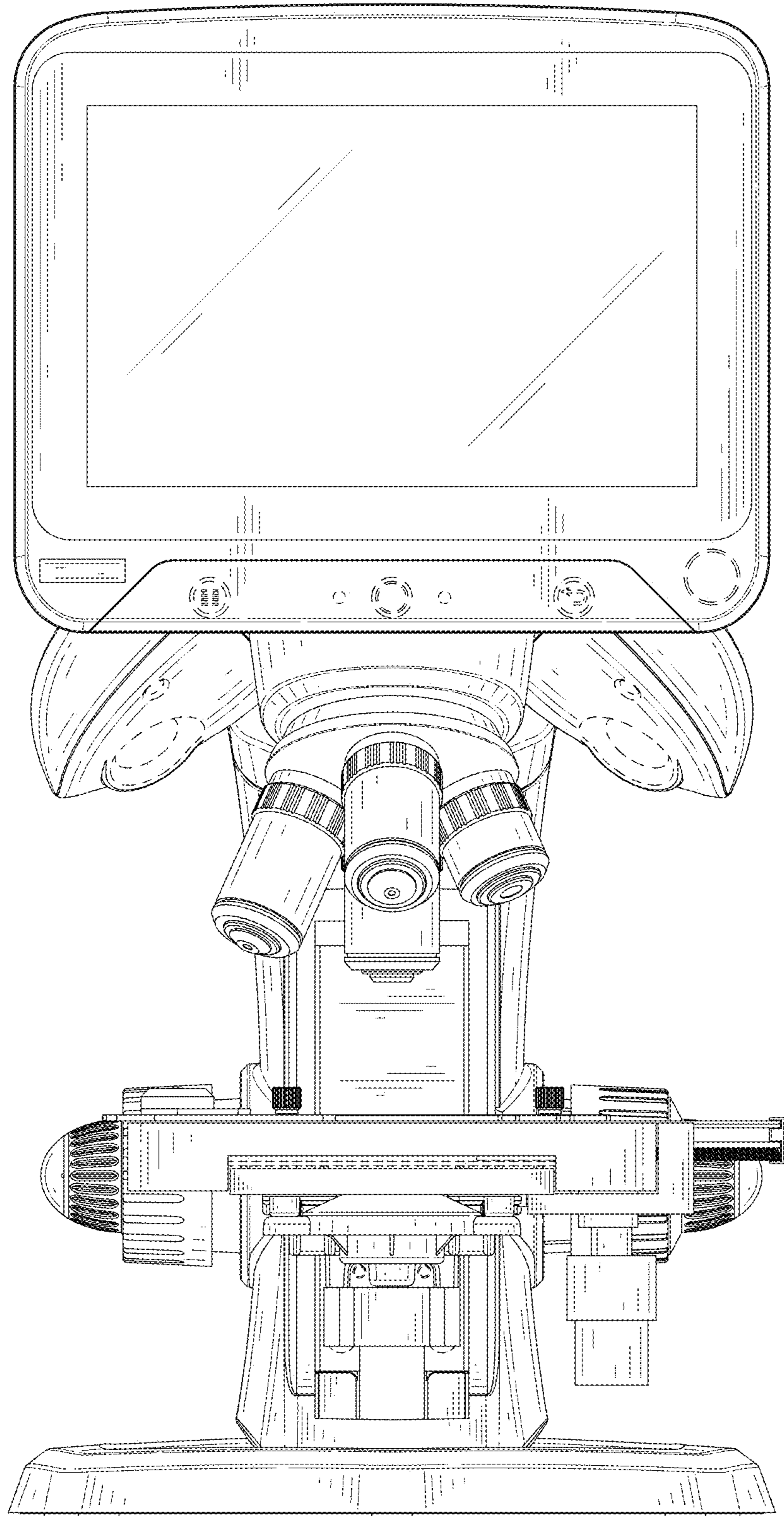


FIG. 5

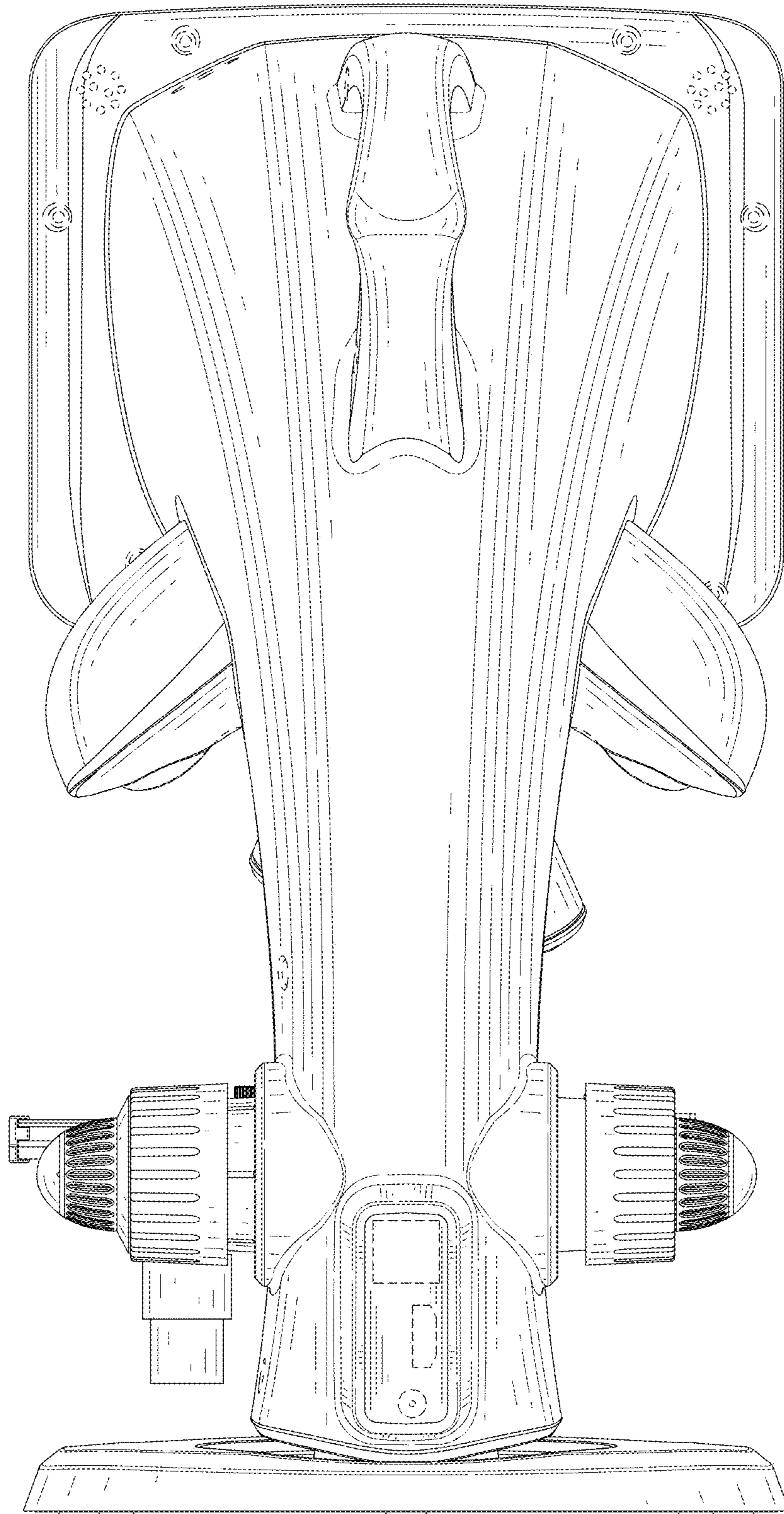


FIG. 6

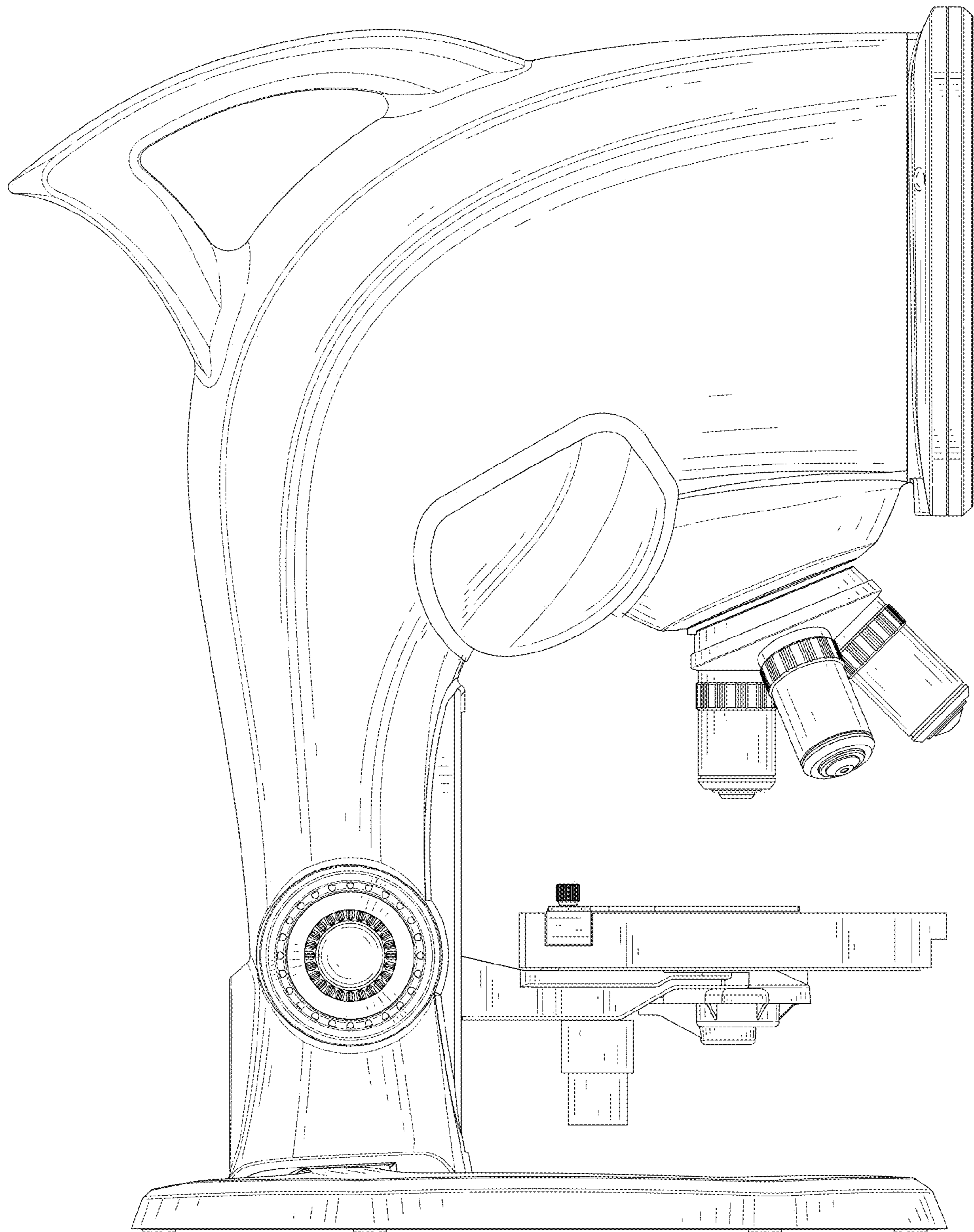


FIG. 7

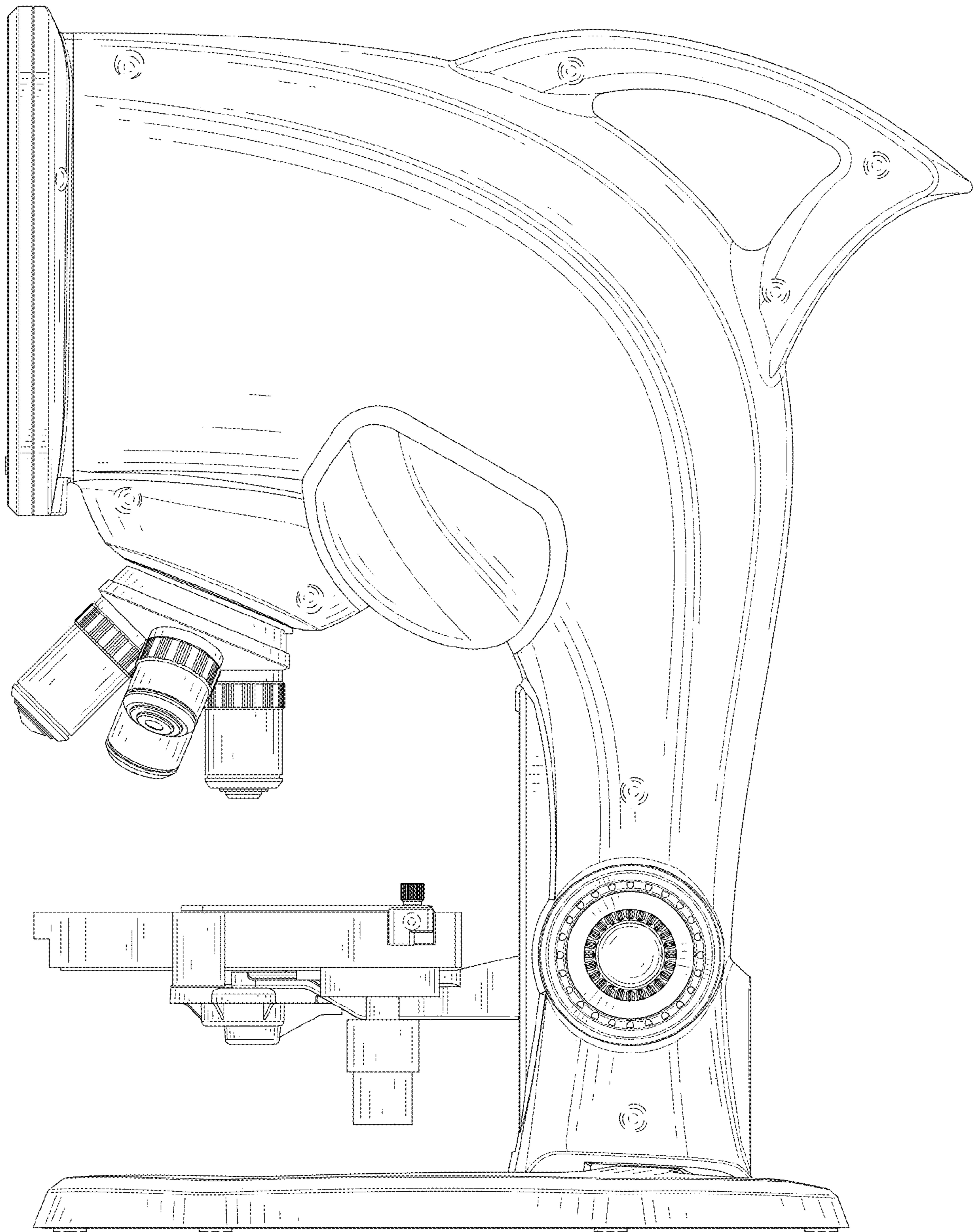


FIG. 8

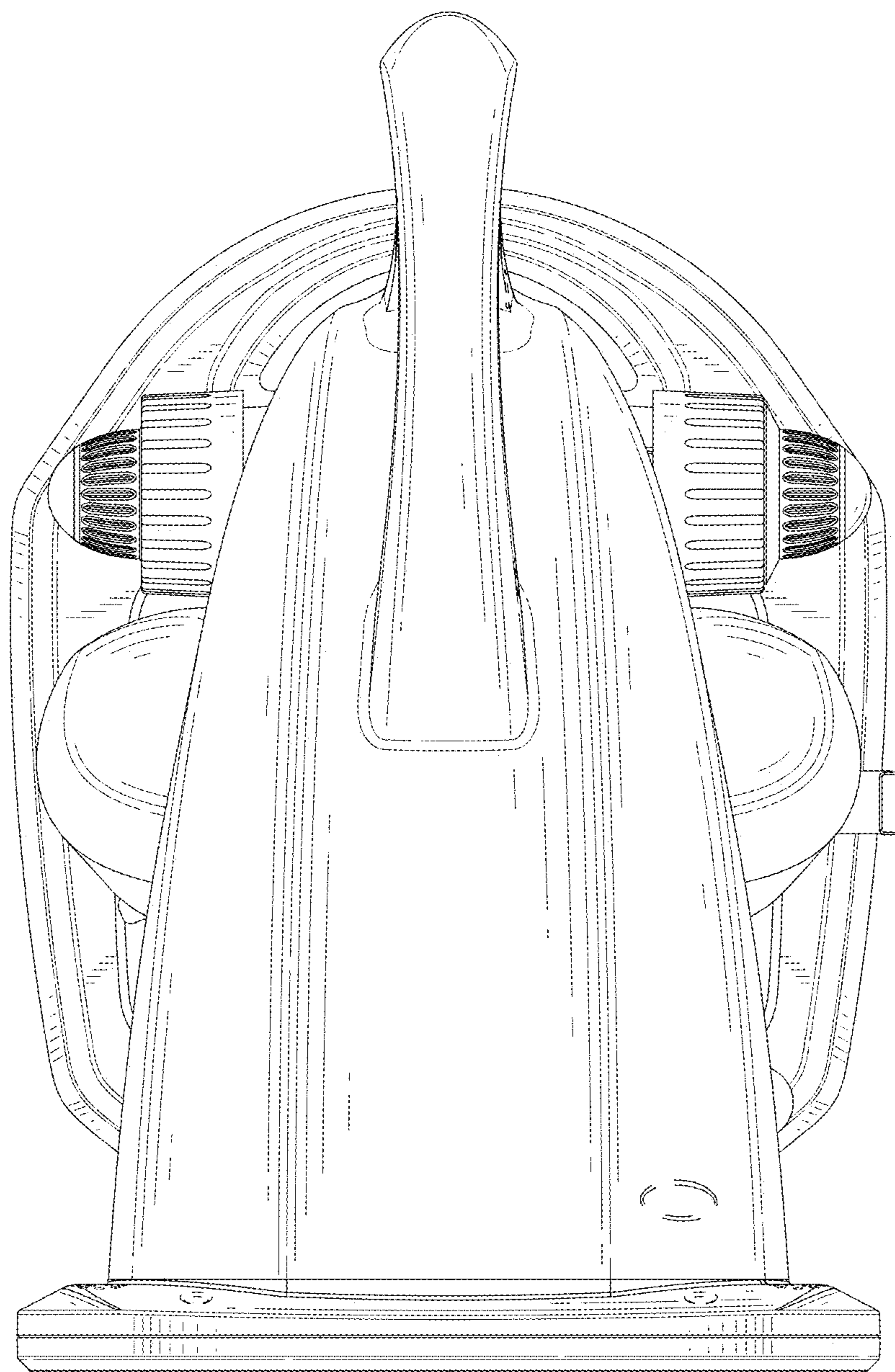


FIG. 9

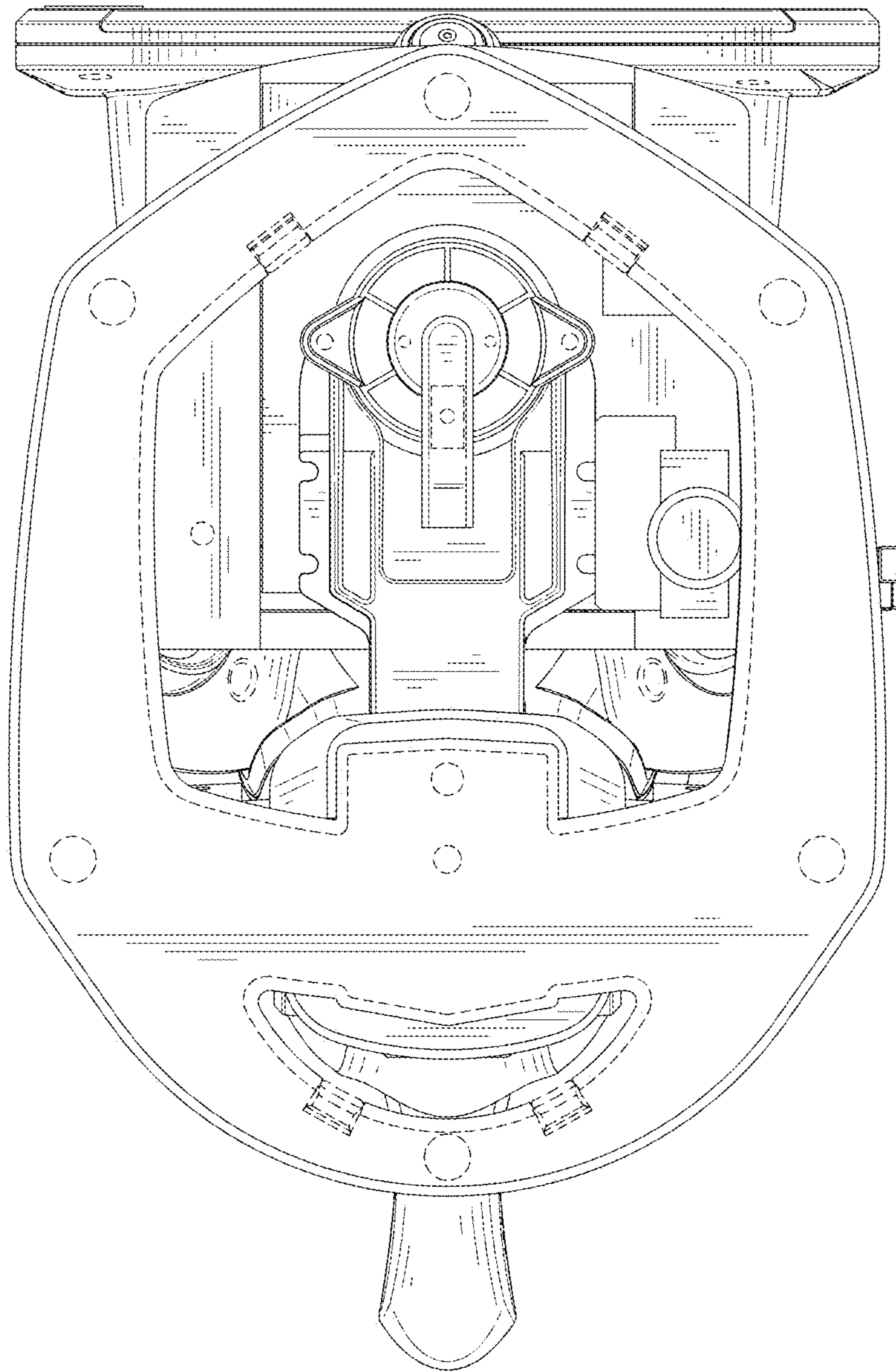


FIG. 10

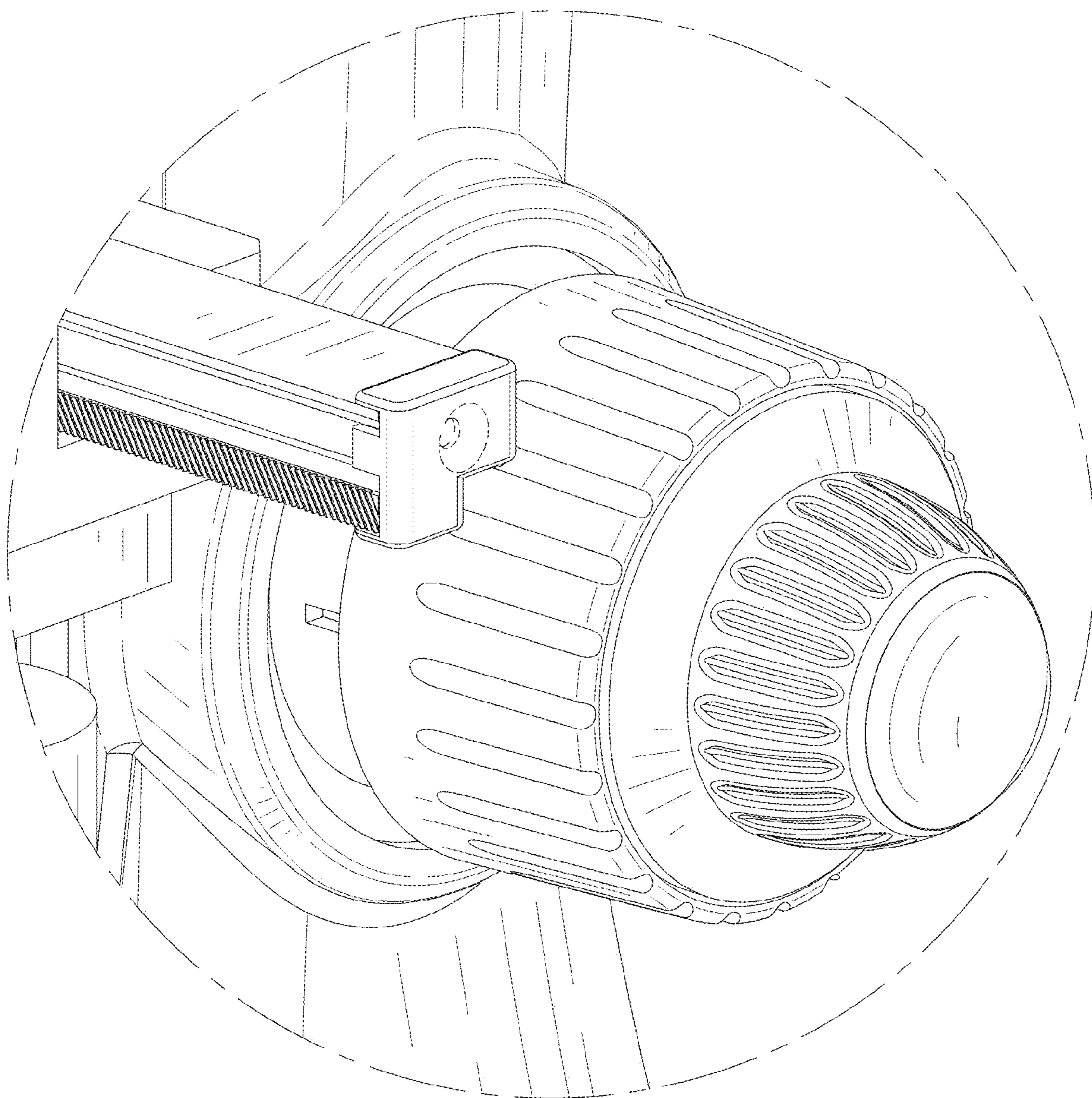


FIG. 11

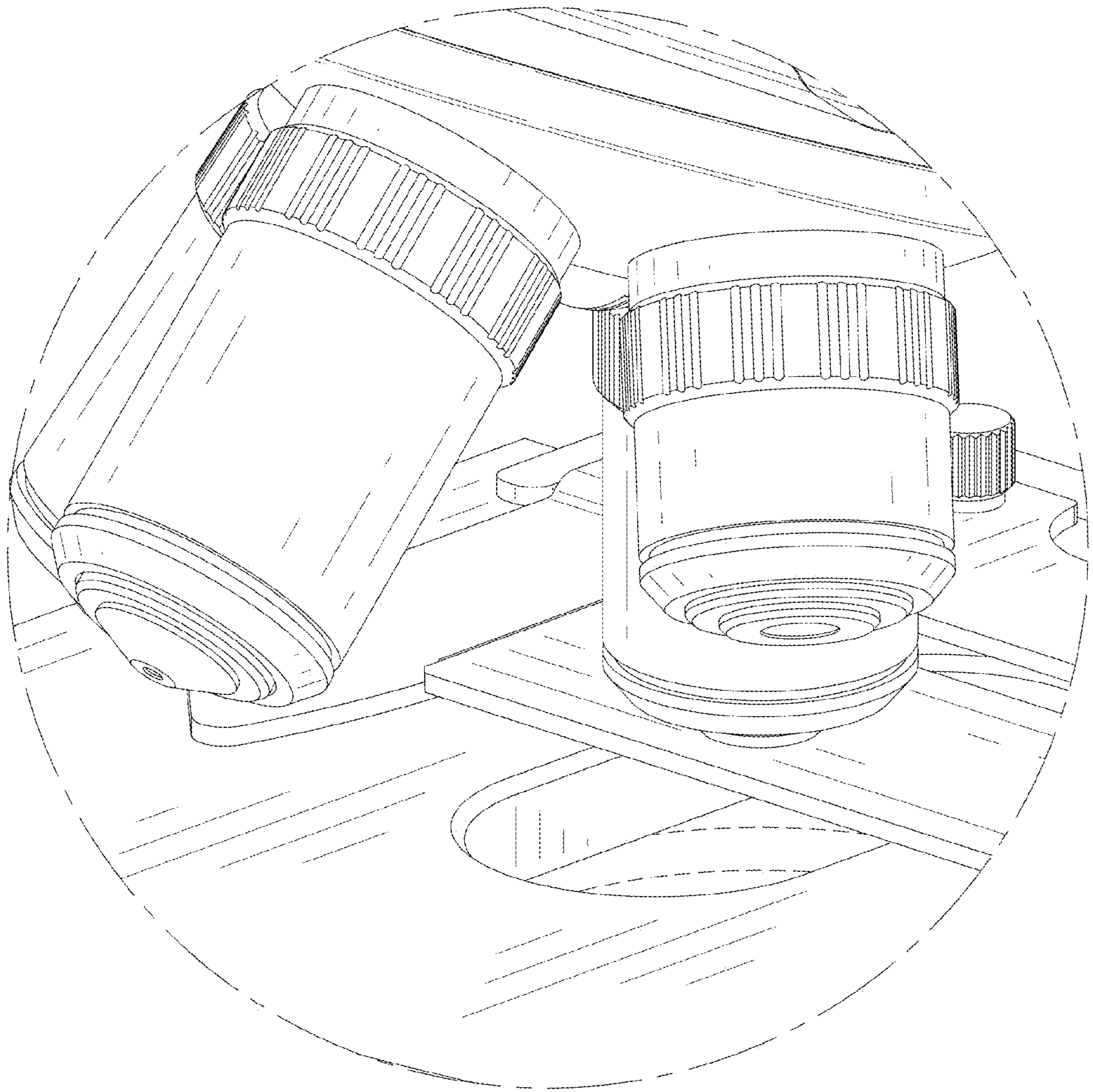


FIG. 12

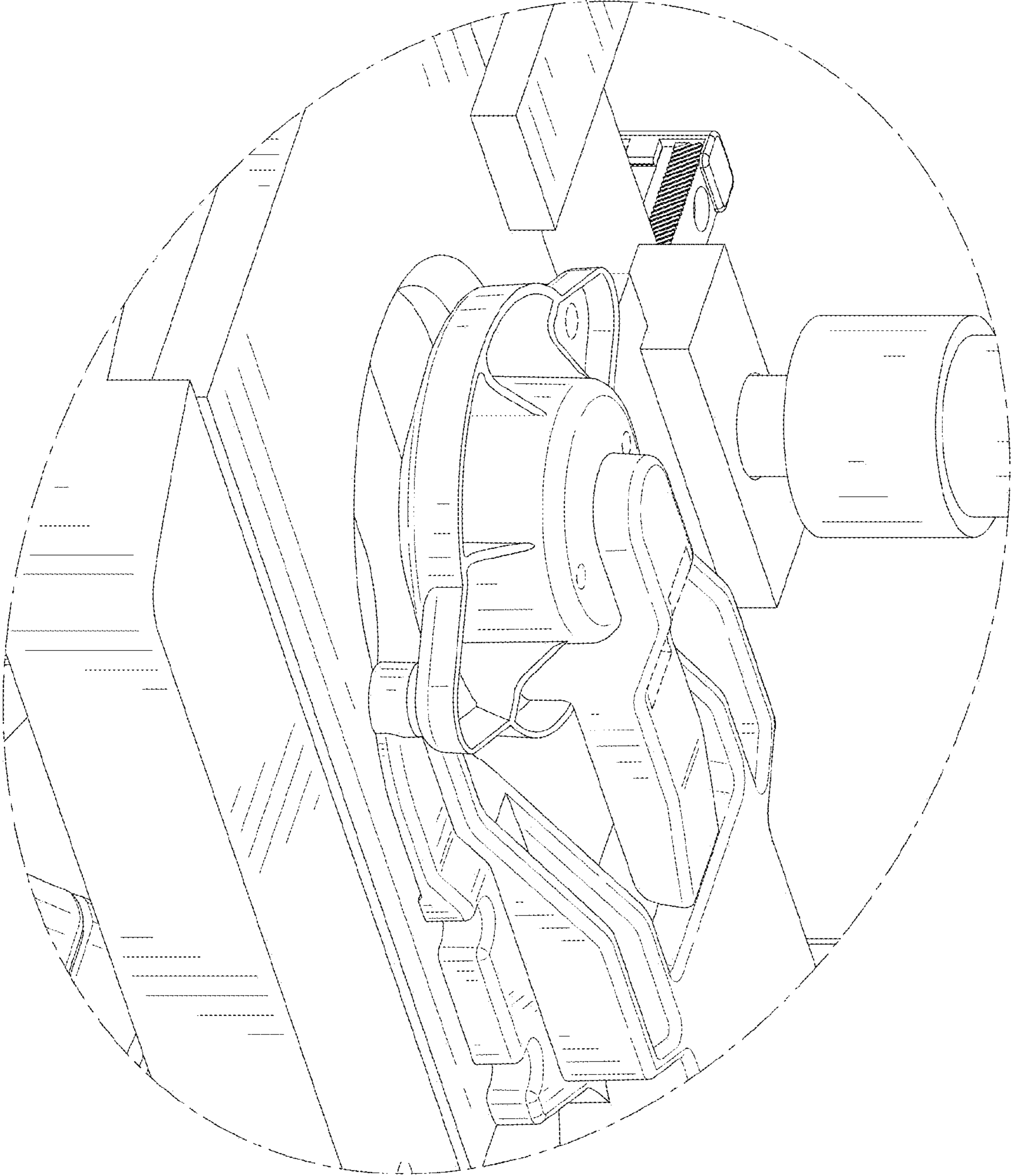


FIG. 13