



US00D956118S

(12) **United States Design Patent** (10) **Patent No.:** **US D956,118 S**
Porde et al. (45) **Date of Patent:** **** Jun. 28, 2022**

(54) **FITTING FOR FURNITURE**
(71) Applicant: **DewertOkin KFT, Kecskemét (HU)**
(72) Inventors: **Christoph Porde, Kecskemét (HU); József Csákó, Jakabszállás (HU); Péter Bartus, Tiszaalpár (HU)**
(73) Assignee: **DewertOkin KFT, Kecskemét (HU)**
(**) Term: **15 Years**
(21) Appl. No.: **35/509,678**
(22) Filed: **May 14, 2020**
(80) **Hague Agreement Data**
Int. Filing Date: **May 14, 2020**
Int. Reg. No.: **DM/208741**
Int. Reg. Date: **May 14, 2020**
Int. Reg. Pub. Date: **Jun. 26, 2020**

(30) **Foreign Application Priority Data**
Nov. 18, 2019 (EM) 007258611
(51) **LOC (13) Cl.** **15-99**
(52) **U.S. Cl.**
USPC **D15/148**
(58) **Field of Classification Search**
USPC D15/148, 149; D6/702
CPC A47C 20/04; A47C 20/041; A47C 20/048;
F15B 15/00; F15B 15/02; F15B 15/08
See application file for complete search history.

(56) **References Cited**
U.S. PATENT DOCUMENTS
D576,431 S * 9/2008 Held D6/716.2
D590,191 S * 4/2009 Held D6/716
D590,193 S * 4/2009 Held D6/716.2
D595,752 S * 7/2009 Lin D15/143
D656,975 S * 4/2012 Tseng D15/143

8,281,677 B2 * 10/2012 Duck H02K 7/102
74/89.23
8,534,147 B2 * 9/2013 Roither A47C 20/042
74/89.4
D737,113 S * 8/2015 Held D8/323
9,404,562 B2 * 8/2016 Oberndorfer H02K 7/06
D765,488 S * 9/2016 Held D8/323
D765,748 S * 9/2016 Bogelund D15/143
9,498,062 B2 * 11/2016 Baldreich E05F 1/1058
D785,061 S * 4/2017 Gong D15/148
D785,062 S * 4/2017 Gong D15/148
D785,063 S * 4/2017 Gong D15/148
D792,490 S * 7/2017 Lin D15/143
D792,491 S * 7/2017 Lin D15/143
D792,492 S * 7/2017 Lin D15/143
D800,195 S * 10/2017 Lin D15/148
D806,151 S * 12/2017 Landerholm D15/143
D806,153 S * 12/2017 Skov D15/148
D809,038 S * 1/2018 Zhuang D15/148
9,903,145 B2 * 2/2018 Huber E05F 1/105
D819,100 S * 5/2018 Lin D15/148
D821,471 S * 6/2018 Zhuang D15/148
D851,147 S * 6/2019 Knudsen D15/148

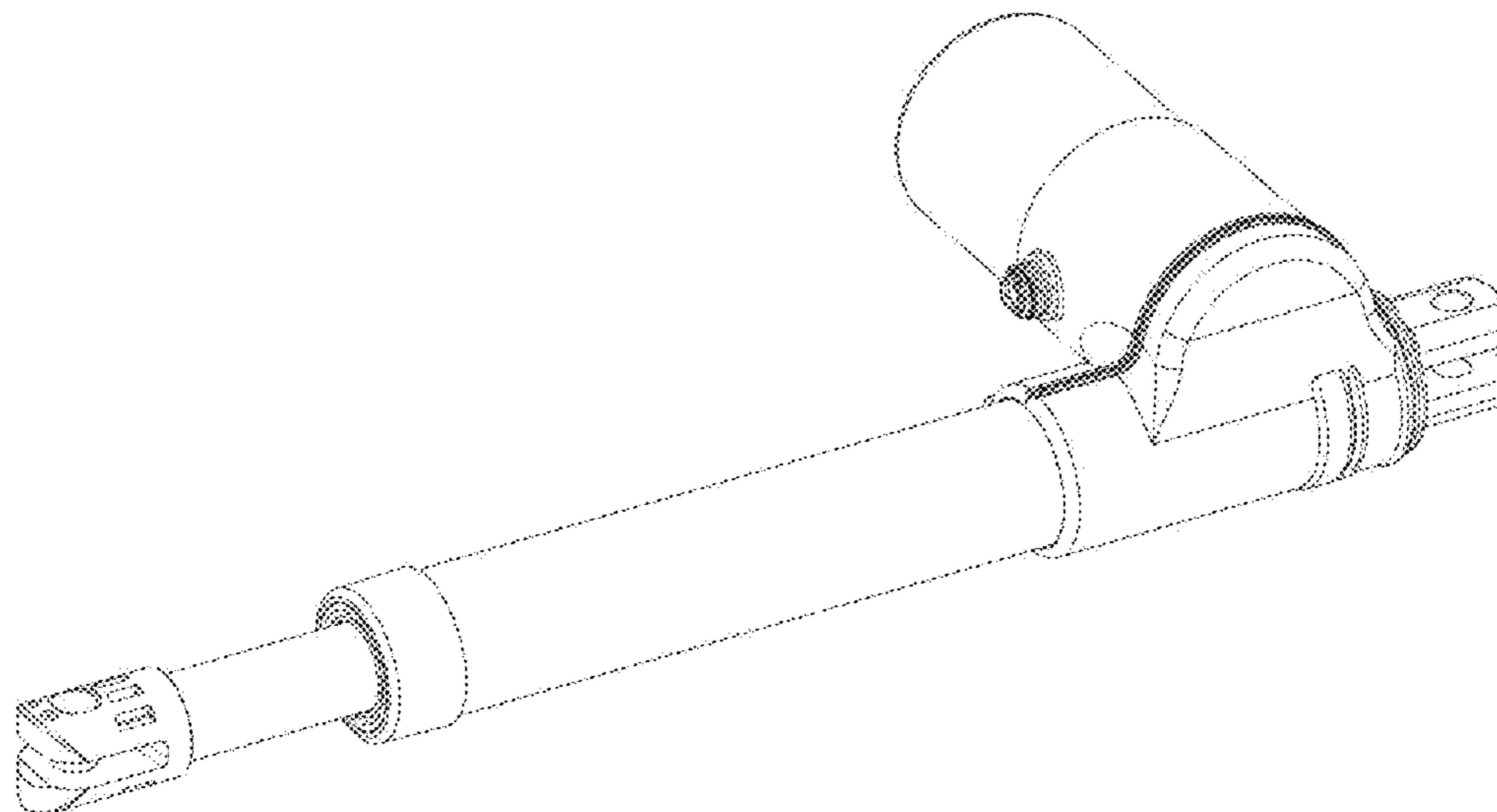
(Continued)

Primary Examiner — Steven J Czyz
(74) Attorney, Agent, or Firm — Collard & Roe, P.C.

(57) **CLAIM**
The ornamental design for a fitting for furniture, as shown and described.

DESCRIPTION
1.1 right side
1.2 front
1.3 left side
1.4 rear
1.5 bottom
1.6 top
1.7 perspective
The features shown in broken lines in figures 1.2 and 1.3 depict portions of the fitting for furniture that form no part of the claimed design.

1 Claim, 7 Drawing Sheets



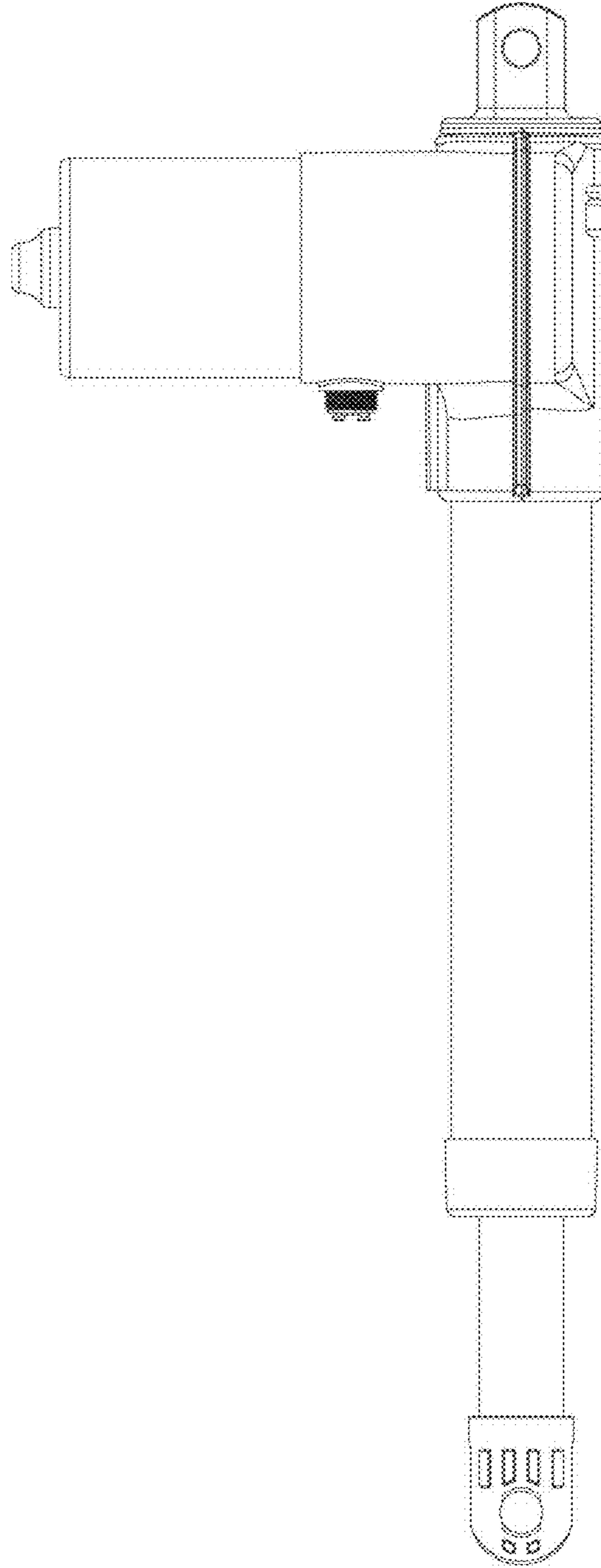
(56)

References Cited

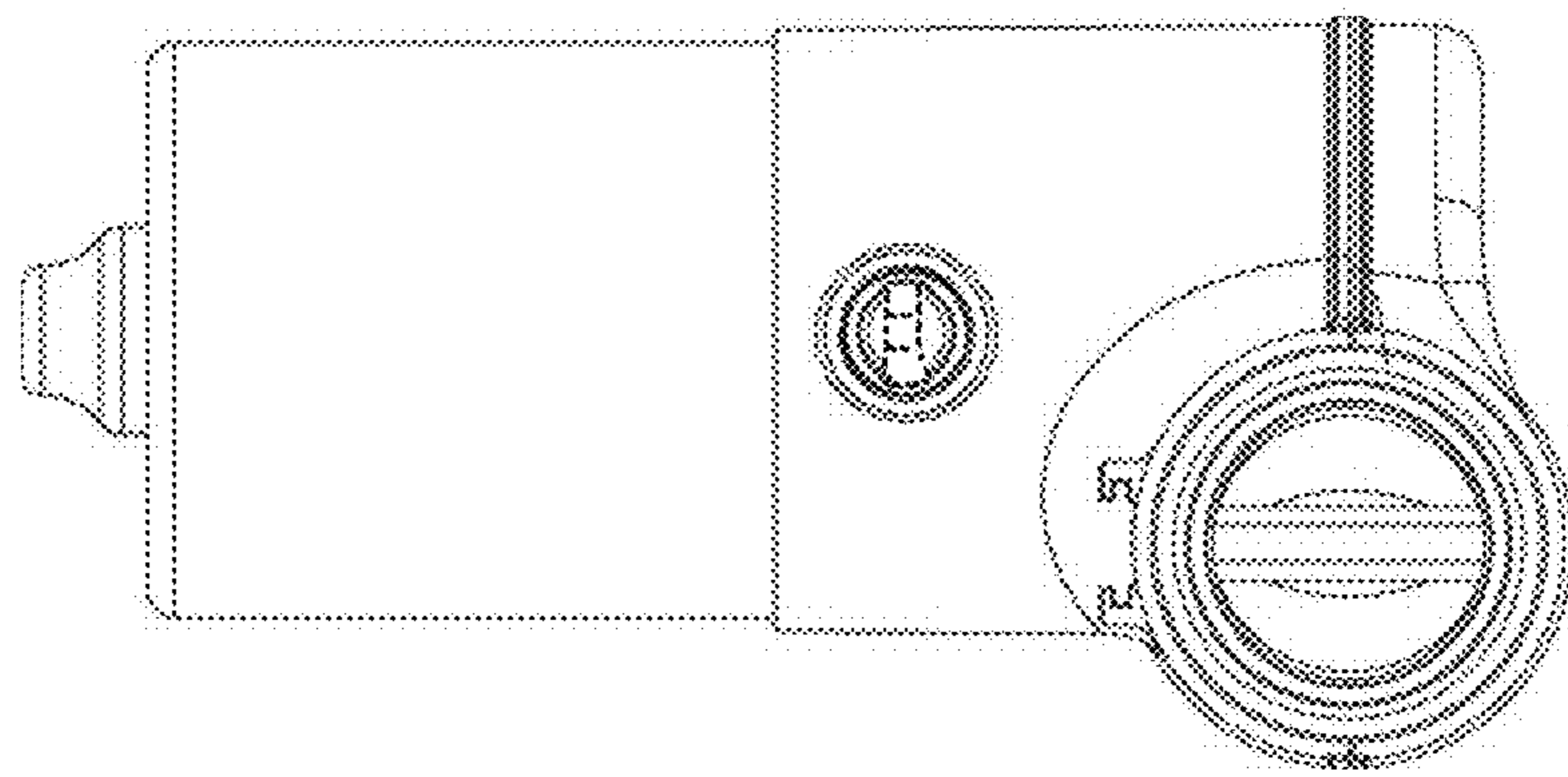
U.S. PATENT DOCUMENTS

D852,248 S * 6/2019 Zhuang D15/148
D855,670 S * 8/2019 Zhuang D15/148
D860,278 S * 9/2019 Knudsen D15/148
D861,052 S * 9/2019 Zhuang D15/143
D865,017 S * 10/2019 Gassner D15/148
D865,018 S * 10/2019 Zhou D15/148
D865,019 S * 10/2019 Zhou D15/148
D865,020 S * 10/2019 Gassner D15/148
10,590,692 B2 * 3/2020 Bohle E05F 15/63
10,605,341 B2 * 3/2020 Wu H02K 23/20
10,716,406 B2 * 7/2020 Koltzenburg A47C 20/041
10,900,269 B2 * 1/2021 Holzapfel E05F 1/1058
D912,111 S * 3/2021 Zhuang D15/143
D912,709 S * 3/2021 Shen D15/143
D913,348 S * 3/2021 Luck D15/148
10,968,672 B2 * 4/2021 Schmid E05F 1/1261
10,988,966 B2 * 4/2021 Haemmerle F16H 19/08
D919,683 S * 5/2021 Zhuang D15/148
2009/0151489 A1 * 6/2009 Jensen F16H 25/20
74/89.33
2010/0236342 A1 * 9/2010 Tseng F16H 25/20
74/89
2014/0174225 A1 * 6/2014 Wu F16H 25/20
74/89.39
2016/0146317 A1 * 5/2016 Tseng F16C 19/545
74/89.37
2017/0331350 A1 * 11/2017 Sorensen A61G 7/018
2018/0238426 A1 * 8/2018 Hung F16H 25/2454
2020/0008991 A1 * 1/2020 Wu A61G 7/015

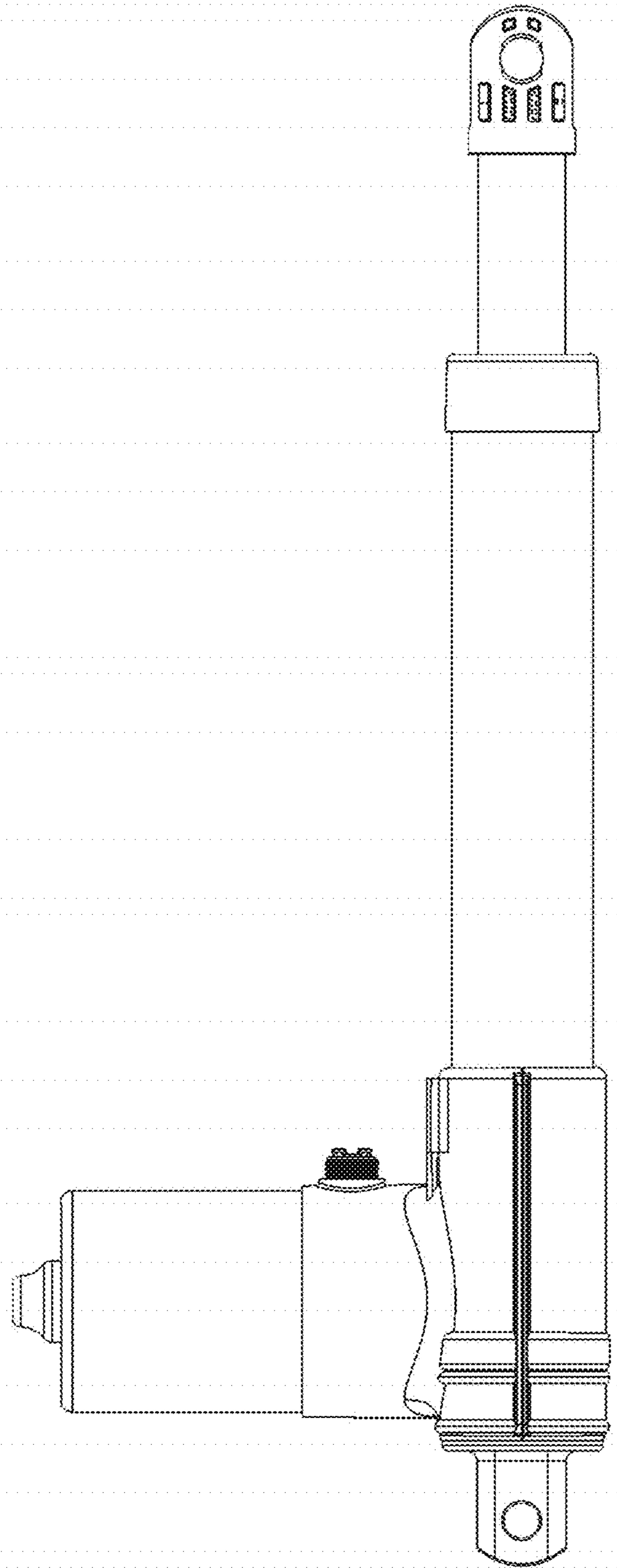
* cited by examiner



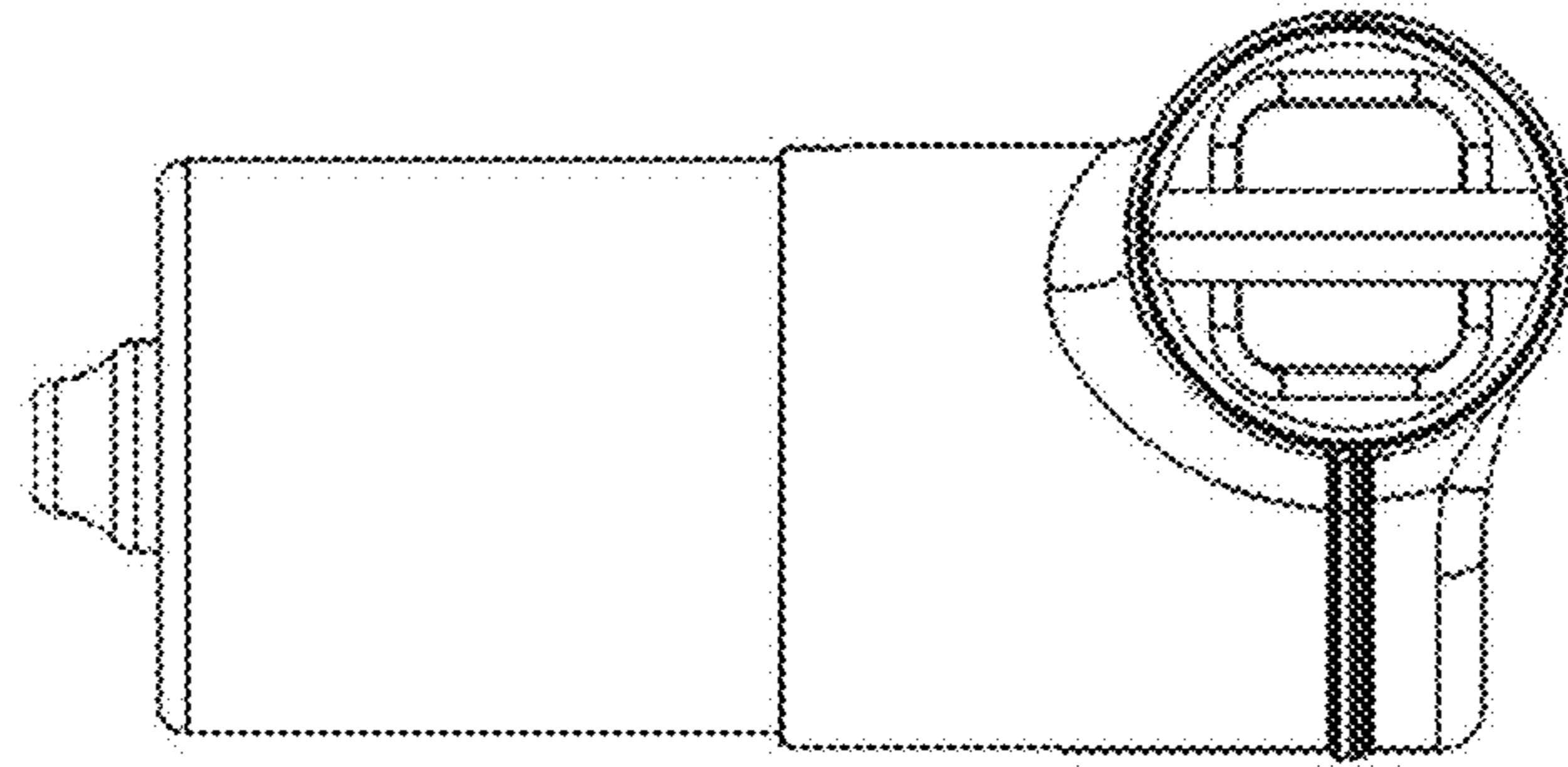
1.1



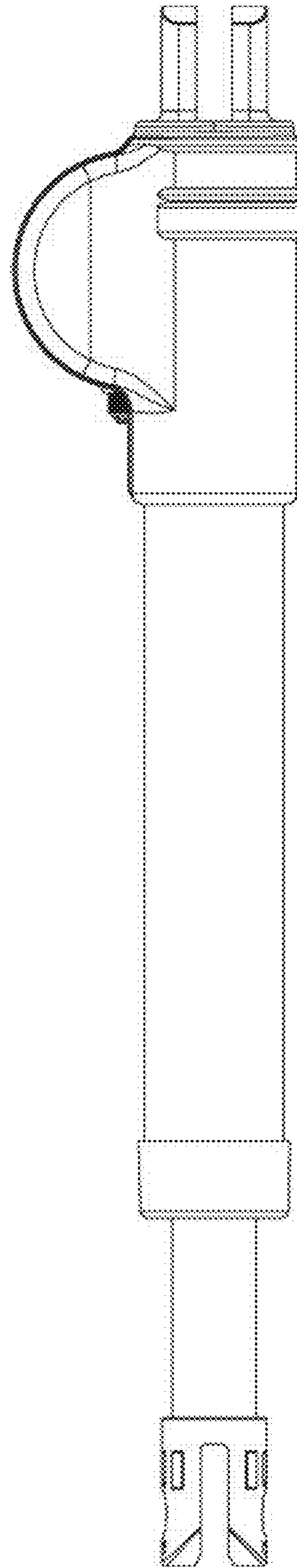
1.2



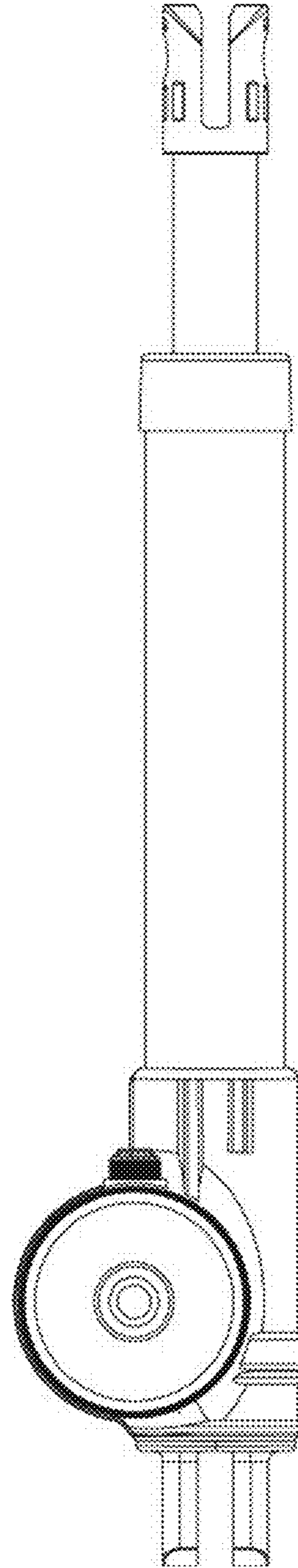
1.3



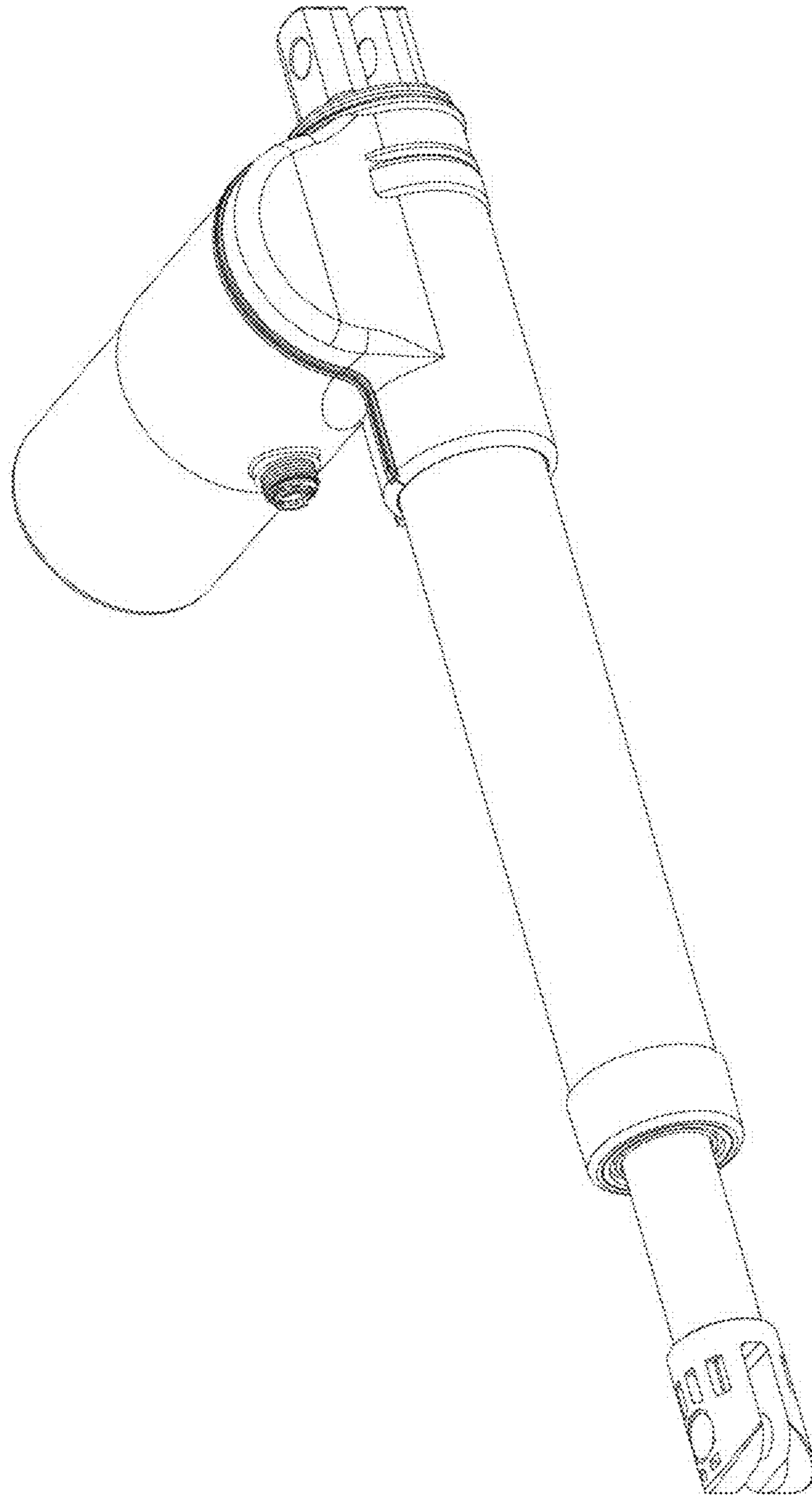
1.4



1.5



1.6



1.7