



US00D956117S

(12) **United States Design Patent**  
**Huang**

(10) **Patent No.:** **US D956,117 S**  
(45) **Date of Patent:** **\*\* Jun. 28, 2022**

- (54) **VACUUM PACKAGING MACHINE**
- (71) Applicant: **Wei Huang**, Guangdong (CN)
- (72) Inventor: **Wei Huang**, Guangdong (CN)
- (73) Assignee: **Shenzhen Maysing Waylay Technology Co., Ltd.**, Guangdong (CN)
- (\*\*) Term: **15 Years**
- (21) Appl. No.: **29/746,111**
- (22) Filed: **Aug. 12, 2020**
- (51) **LOC (13) Cl.** ..... **15-09**
- (52) **U.S. Cl.**  
USPC ..... **D15/146**
- (58) **Field of Classification Search**  
USPC ..... D15/145, 146; D18/50  
CPC ..... B23C 63/0065; B23C 63/0091; B23C  
63/1018; B65B 31/046; B65B 31/047  
See application file for complete search history.

(56) **References Cited**

U.S. PATENT DOCUMENTS

- D215,568 S \* 10/1969 Kellogg ..... D15/146
- D233,066 S \* 10/1974 Bair ..... D15/146
- D238,444 S \* 1/1976 Schipper ..... D15/146
- D248,399 S \* 7/1978 Dobson ..... D15/146
- D249,526 S \* 9/1978 Kishida ..... D15/146
- 4,156,382 A \* 5/1979 Baker ..... B29C 65/222  
83/649
- 4,561,925 A \* 12/1985 Skerjanec ..... B29C 66/73921  
219/243
- D301,238 S \* 5/1989 Makihara ..... D15/146
- 5,352,323 A \* 10/1994 Chi ..... B65B 51/146  
156/583.8
- 5,806,575 A \* 9/1998 Tsay ..... B65D 81/2015  
141/192
- 7,003,928 B2 \* 2/2006 Patterson ..... B65B 51/146  
53/434

- D536,355 S \* 2/2007 Levsen ..... D15/146
- 7,392,641 B2 \* 7/2008 Abate ..... B65B 31/046  
53/512
- 7,540,127 B2 \* 6/2009 Sung ..... B65B 31/047  
53/434
- D597,572 S \* 8/2009 Tsai ..... D15/146
- D633,118 S \* 2/2011 Beatty ..... D15/146
- D663,331 S \* 7/2012 Day ..... D15/146
- D686,649 S \* 7/2013 Zhou ..... D15/146
- 8,695,673 B2 \* 4/2014 Hu ..... B32B 37/0046  
156/530
- D763,334 S \* 8/2016 Yoshitomi ..... D15/146
- D812,662 S \* 3/2018 Chang ..... D15/146
- 9,937,661 B2 \* 4/2018 Chang ..... B29C 65/222
- D823,913 S \* 7/2018 Chou ..... D15/146
- D866,624 S \* 11/2019 Choi ..... D15/146
- D910,100 S \* 2/2021 Qiu ..... D15/146
- D910,726 S \* 2/2021 Sun ..... D15/146
- D912,710 S \* 3/2021 Choi ..... D15/146
- D912,711 S \* 3/2021 Choi ..... D15/146
- D922,462 S \* 6/2021 Leyden ..... D15/146

(Continued)

Primary Examiner — Patricia A Palasik

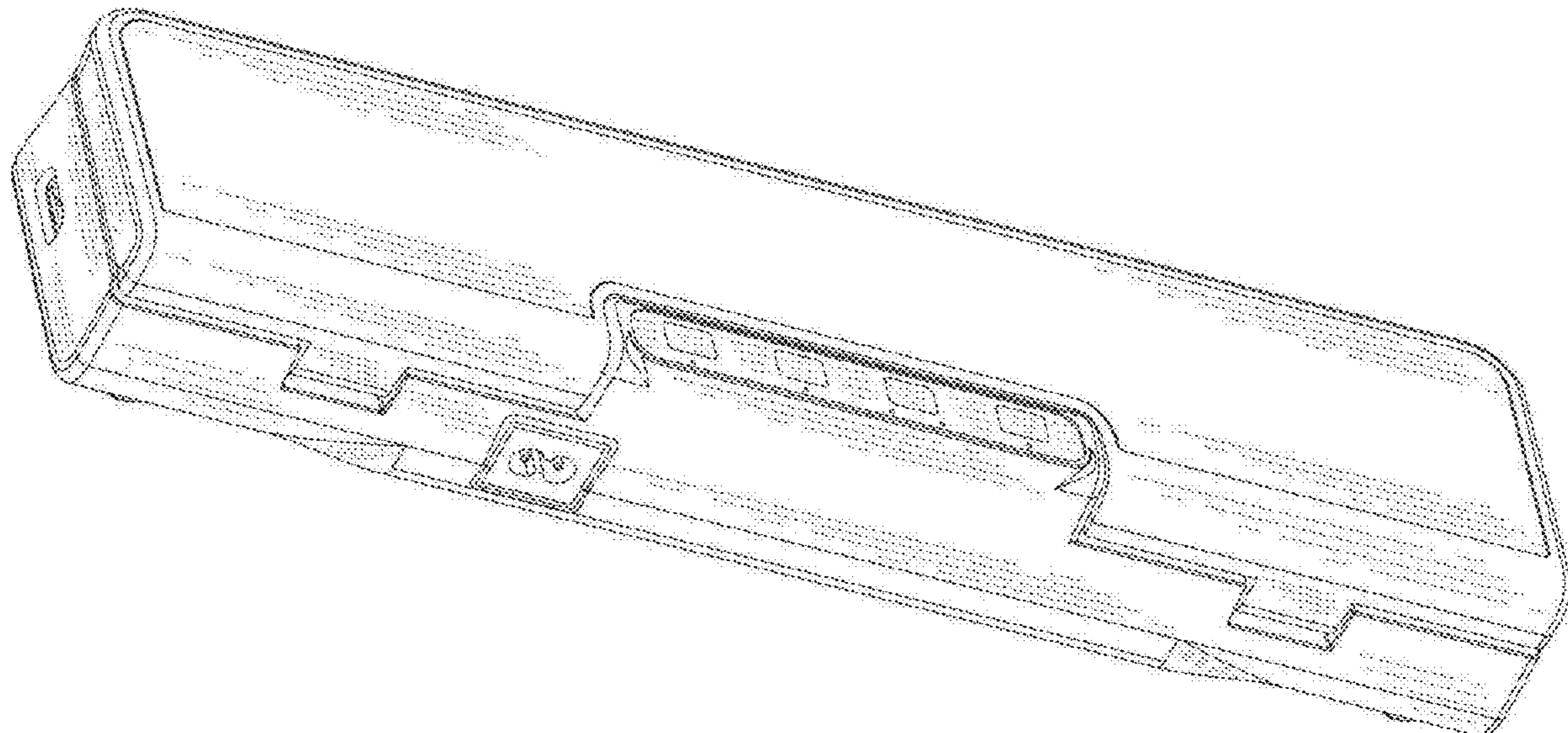
(57) **CLAIM**

The ornamental design for a vacuum packaging machine, as shown and described.

**DESCRIPTION**

FIG. 1 is a perspective view of a vacuum packaging machine showing my new design;  
 FIG. 2 is a front elevation view thereof;  
 FIG. 3 is a rear elevation view thereof;  
 FIG. 4 is a left side elevation view thereof, shown enlarged in scale;  
 FIG. 5 is a right side elevation view thereof, shown enlarged in scale;  
 FIG. 6 is a top plan view thereof; and,  
 FIG. 7 is a bottom plan view thereof.

**1 Claim, 7 Drawing Sheets**



(56)

**References Cited**

U.S. PATENT DOCUMENTS

D936,120 S \* 11/2021 Minibaev ..... D15/146  
D936,717 S \* 11/2021 Chen ..... D15/146  
D937,919 S \* 12/2021 Chen ..... D15/146  
2005/0022480 A1\* 2/2005 Brakes ..... B65B 31/046  
53/512  
2019/0047733 A1\* 2/2019 Zheng ..... B65B 51/10

\* cited by examiner

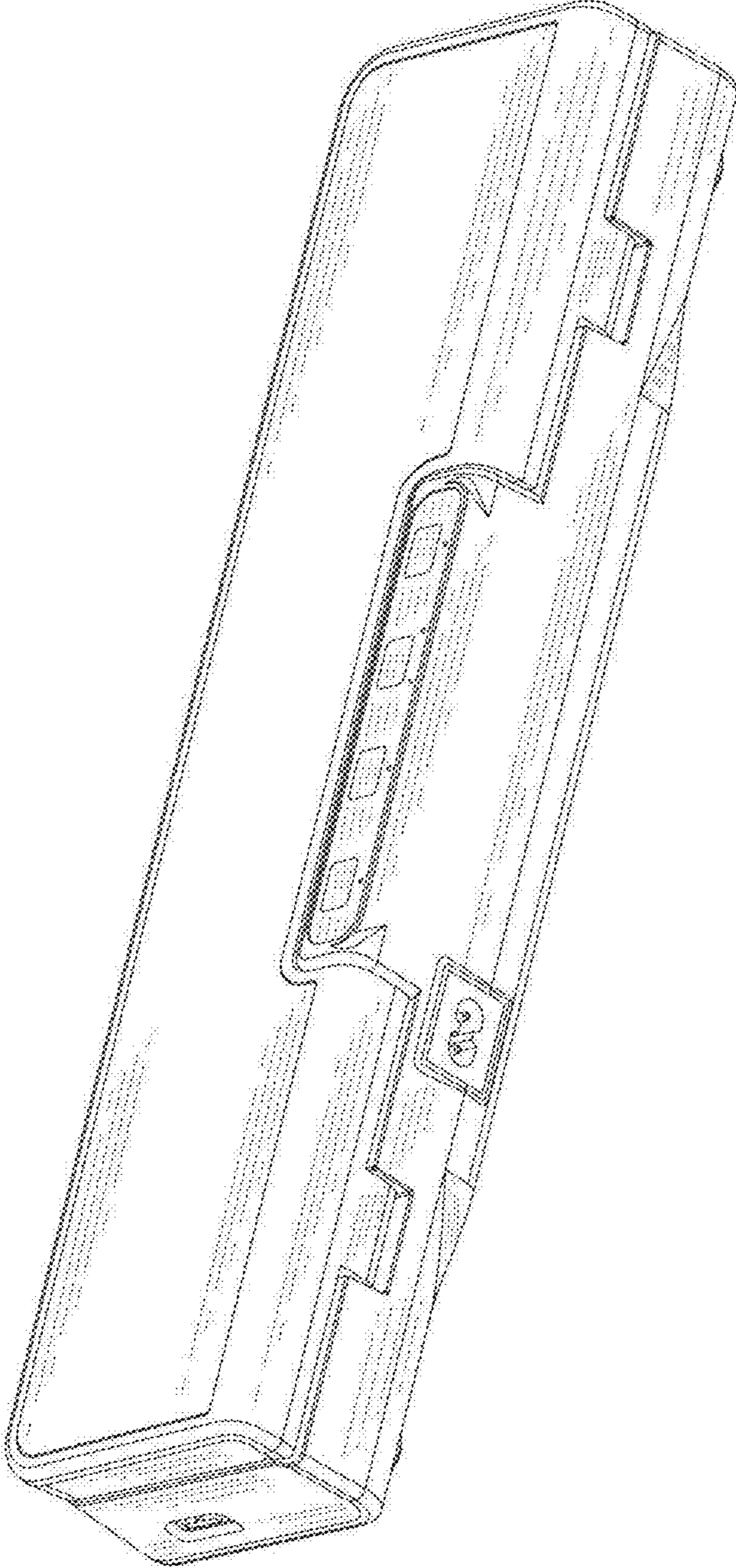


FIG. 1

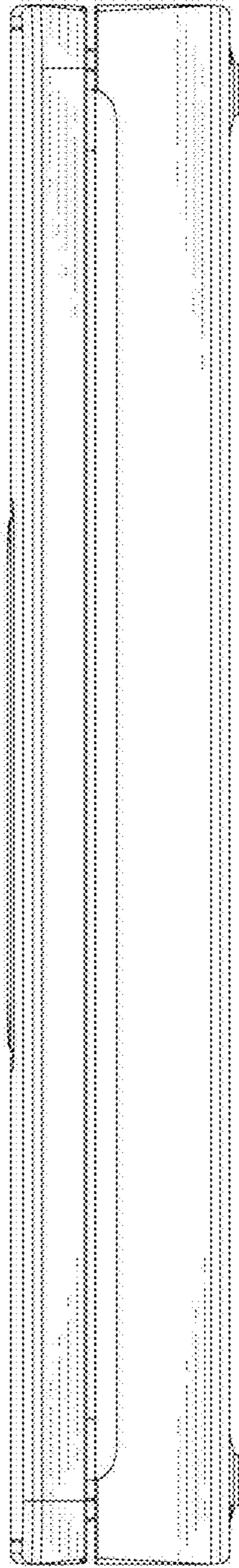


FIG. 2



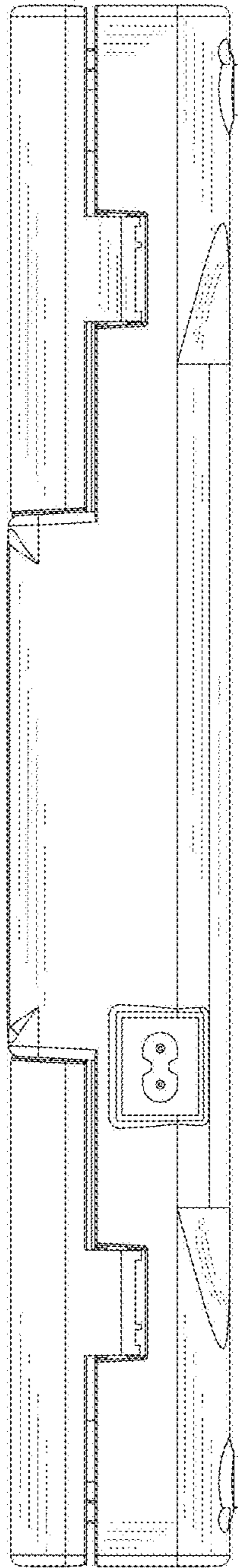


FIG. 3

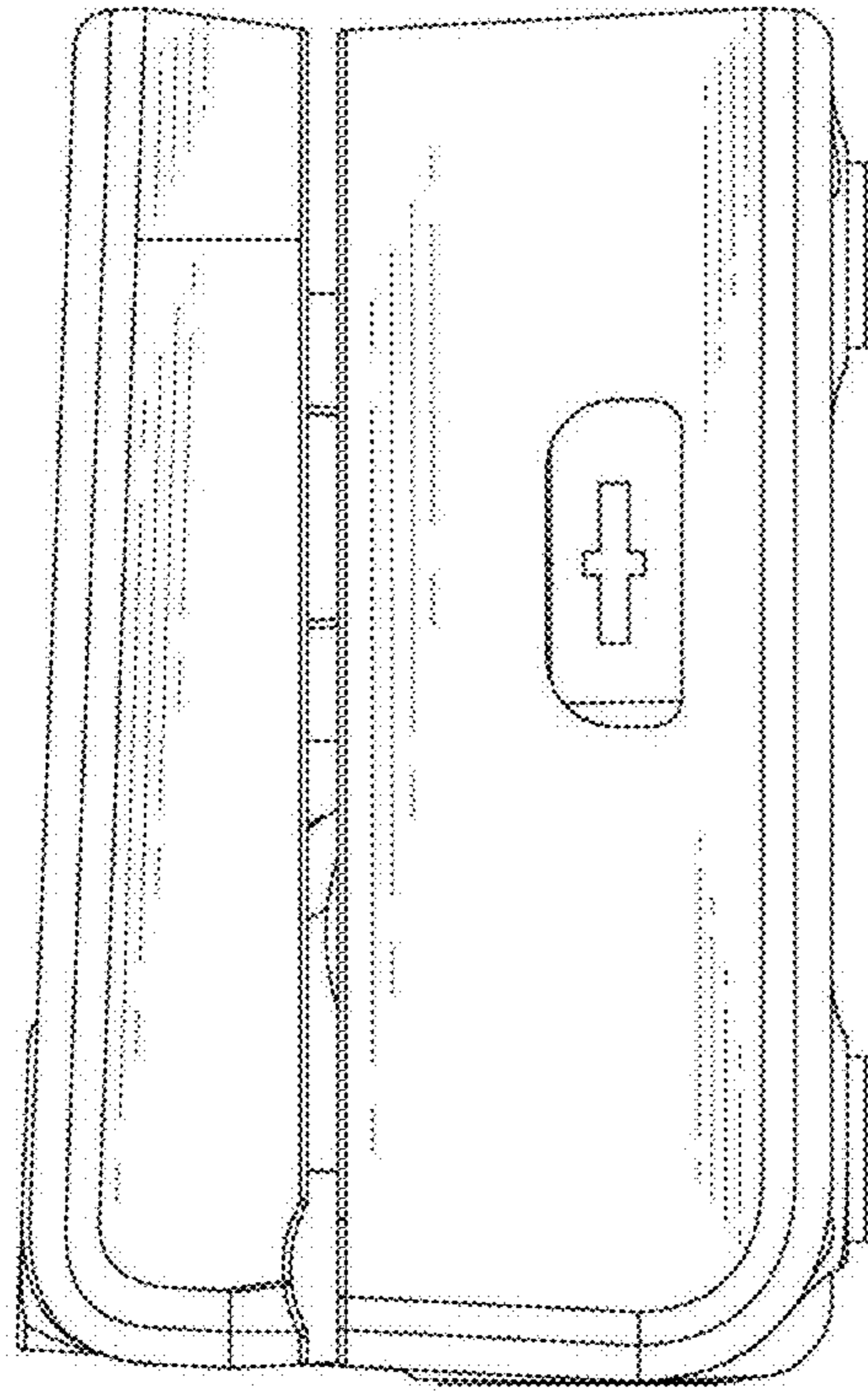


FIG. 4

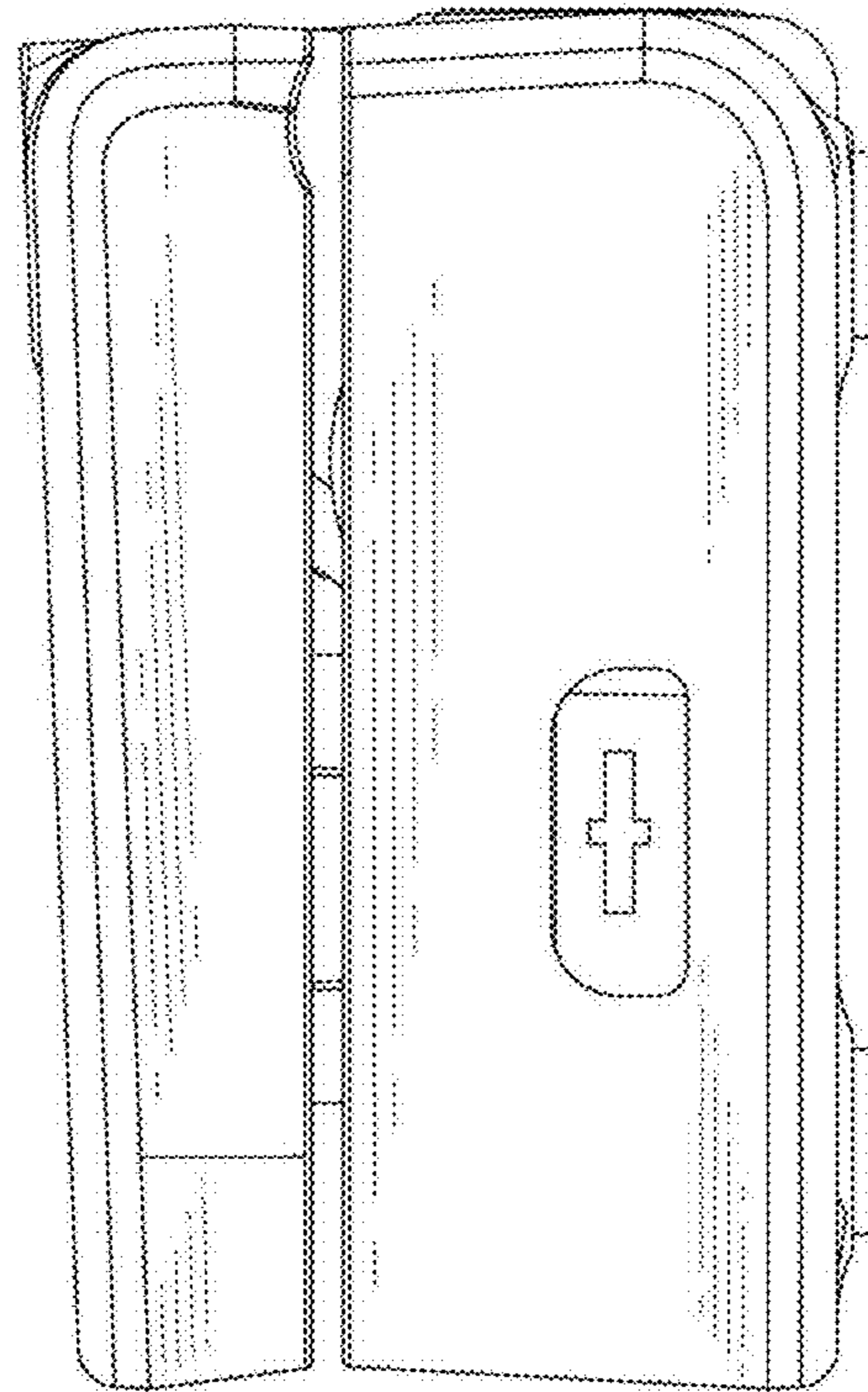


FIG. 5

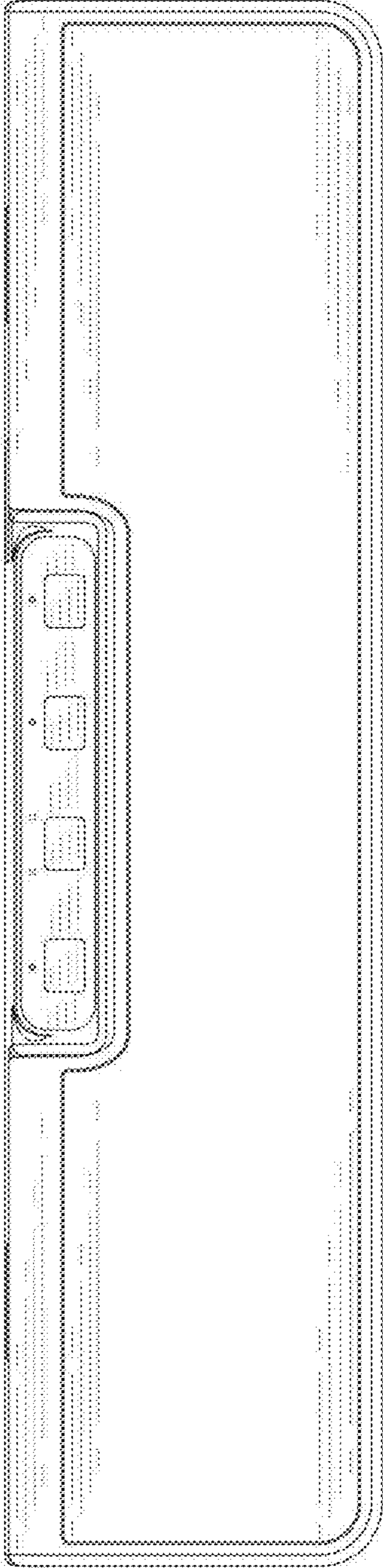


FIG. 6



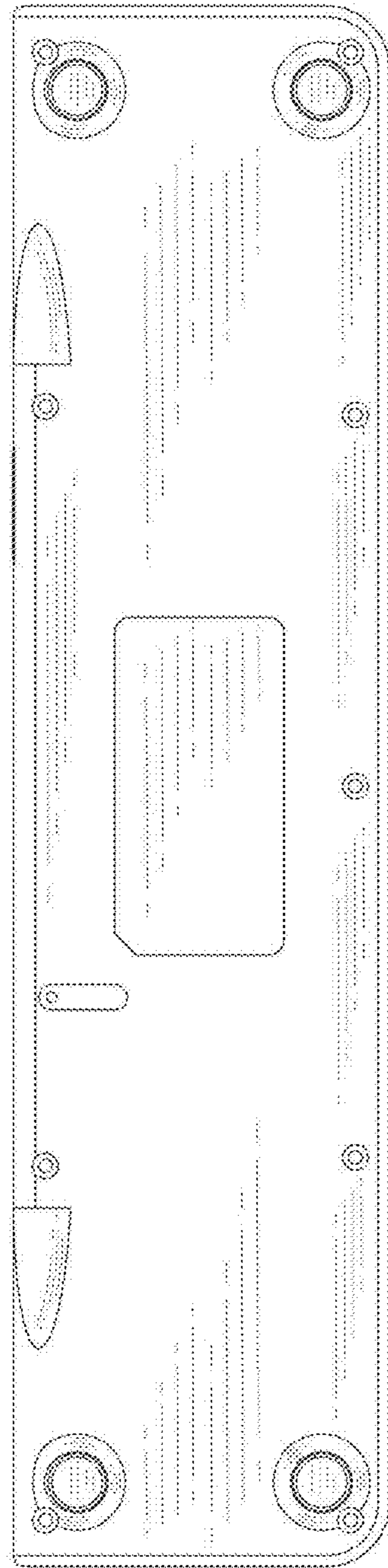


FIG. 7