



US00D956116S

(12) **United States Design Patent** (10) **Patent No.:** **US D956,116 S**
Holliday et al. (45) **Date of Patent:** **** Jun. 28, 2022**

(54) **TOP DRIVE WITH RAIL SLIDER** D188,999 S * 10/1960 Ristow D15/21
3,316,983 A * 5/1967 Goodman E21B 11/005
173/216
(71) Applicant: **GDS International LLC**, Houston, TX D297,331 S * 8/1988 Blum D15/132
(US) D302,821 S * 8/1989 Blum D15/132
(72) Inventors: **Keith G. Holliday**, Houston, TX (US); D413,907 S * 9/1999 Suzaki D15/132
Paul A. Nicholson, Houston, TX (US); D457,534 S * 5/2002 Kim D15/21
Joel I. Padgett, Houston, TX (US) D506,483 S * 6/2005 Saari D15/132
D681,080 S * 4/2013 Wang D15/132
(73) Assignee: **GDS International LLC**, Houston, TX D689,105 S * 9/2013 Dockery D15/132
(US) 8,960,324 B2 * 2/2015 Holliday E21B 19/06
173/4
2013/0192859 A1 * 8/2013 Holiday E21B 3/02
173/2

(**) Term: **15 Years**

* cited by examiner

(21) Appl. No.: **29/708,042**

Primary Examiner — Garth Rademaker

(22) Filed: **Oct. 2, 2019**

Assistant Examiner — Fritzgerald L Butac

(51) **LOC (13) Cl.** **15-09**

(74) *Attorney, Agent, or Firm* — Richard A. Fagin

(52) **U.S. Cl.**

USPC **D15/138**

(58) **Field of Classification Search**

USPC D15/21, 132, 138

CPC E21B 3/02; E21B 17/003; E21B 17/02;

E21B 17/028; E21B 17/04; E21B 19/06;

E21B 19/16; E21B 19/165

See application file for complete search history.

(56) **References Cited**

U.S. PATENT DOCUMENTS

2,325,132 A * 7/1943 Haushalter E21B 17/1042

175/56

D136,981 S * 1/1944 Baldwin D15/21

(57) **CLAIM**

The ornamental design for a top drive with rail slider, as shown and described.

DESCRIPTION

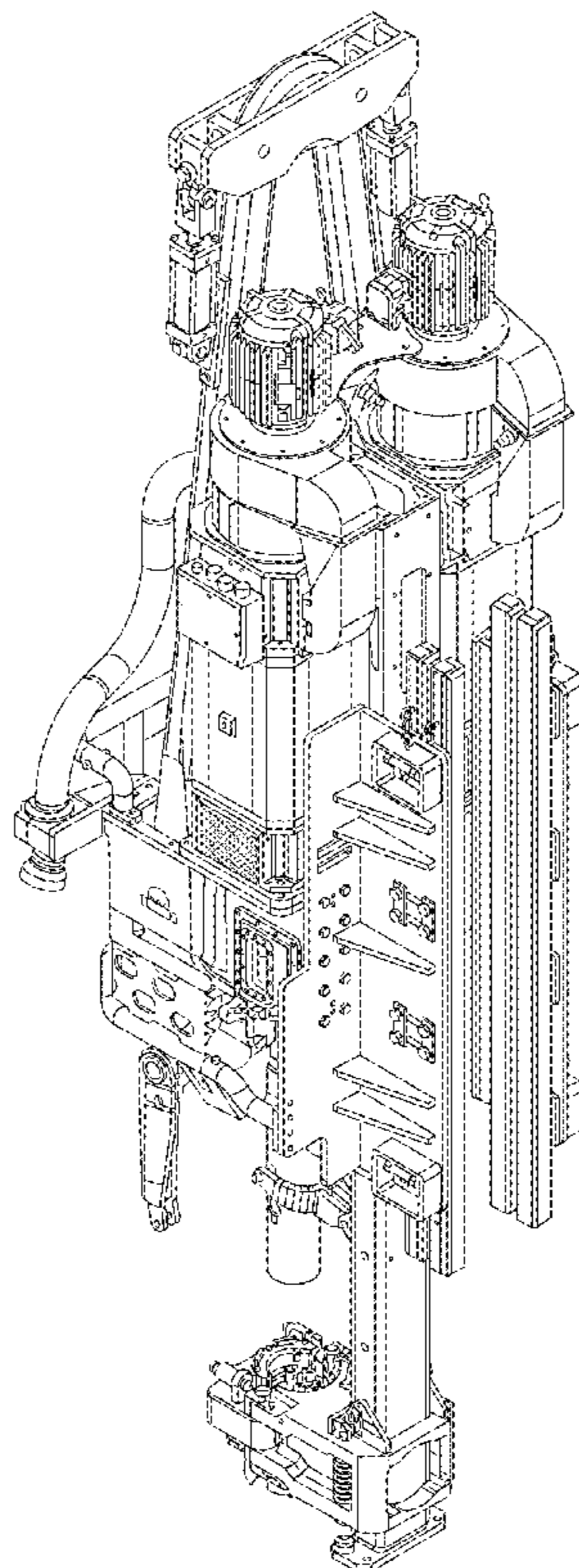
FIG. 1 is a perspective view of a top drive with rail slider.

FIG. 2 is a front view thereof; and,

FIG. 3 is a side view thereof.

The broken lines show portions of a top drive with rail slider which form no part of the claimed design.

1 Claim, 3 Drawing Sheets



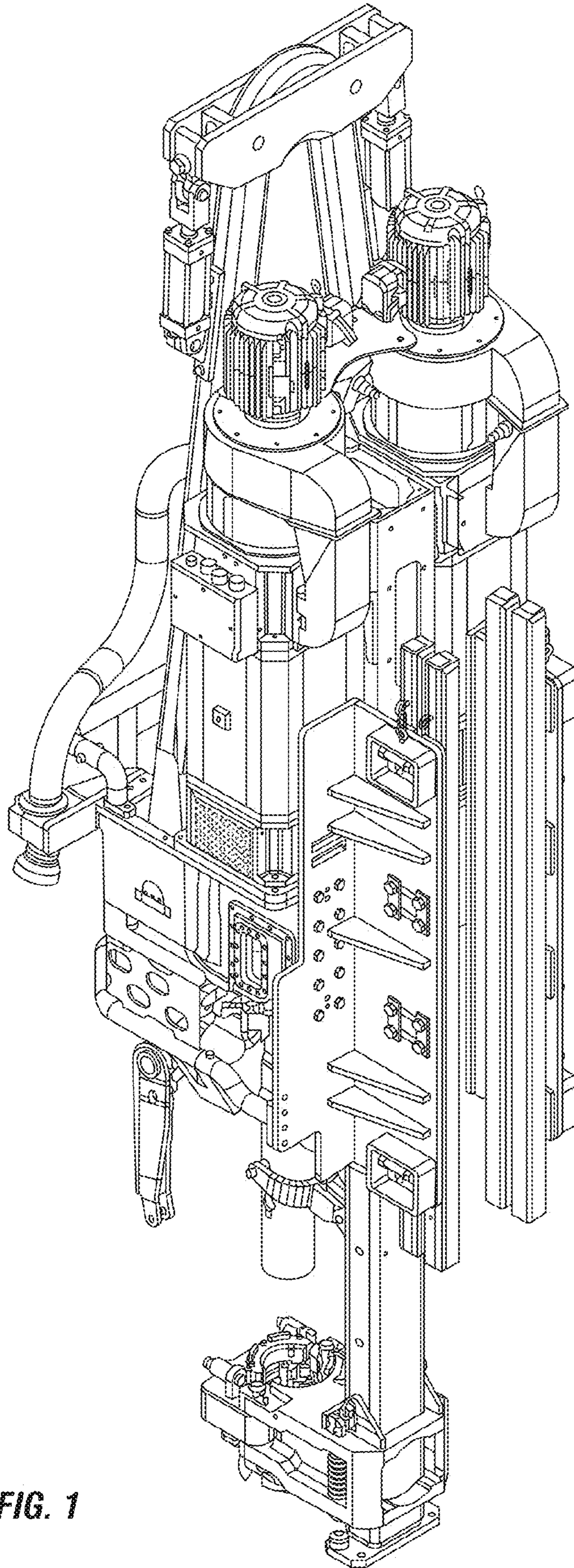


FIG. 1

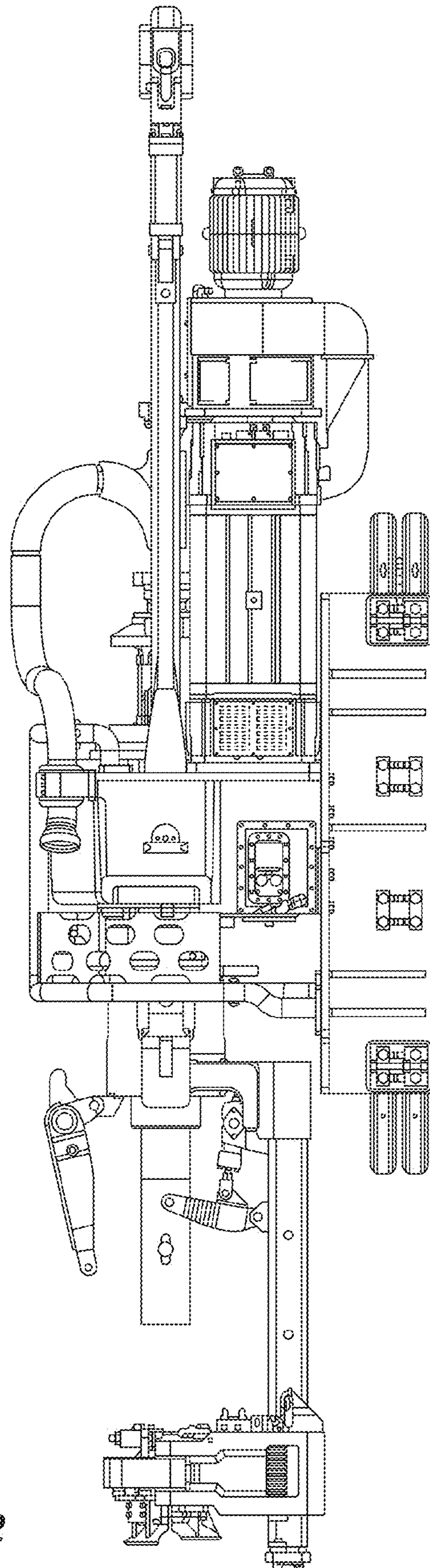


FIG. 2

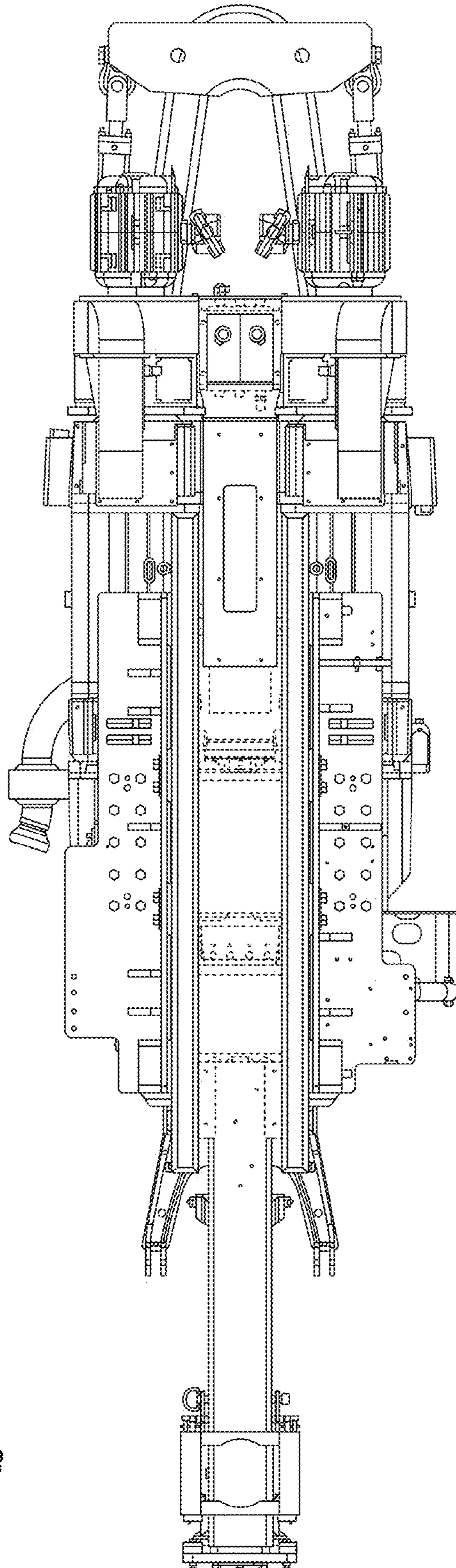


FIG. 3