



US00D956115S

(12) **United States Design Patent** (10) **Patent No.:** **US D956,115 S**
Lee (45) **Date of Patent:** **** Jun. 28, 2022**

(54) **ENVIRONMENT CONTROL APPARATUS FOR CUTTING MACHINE**
(71) Applicant: **Chao-Ying Lee**, Riverside, CA (US)
(72) Inventor: **Chao-Ying Lee**, Riverside, CA (US)
(**) Term: **15 Years**
(21) Appl. No.: **29/733,632**
(22) Filed: **Jul. 6, 2020**
(51) **LOC (13) Cl.** **15-09**
(52) **U.S. Cl.**
USPC **D15/133**
(58) **Field of Classification Search**
USPC D15/127, 133; D8/64, 71
CPC .. B23D 47/025; B23D 45/068; B23D 45/062;
B27G 19/006; B27G 19/02
See application file for complete search history.

(56) **References Cited**
U.S. PATENT DOCUMENTS
D338,605 S * 8/1993 Dehari D15/133
5,619,896 A * 4/1997 Chen B23D 47/025
144/286.1
D411,090 S * 6/1999 Chang D8/66
6,080,041 A * 6/2000 Greenland B24B 49/00
125/13.01
D476,343 S * 6/2003 Leoncini D15/127
D484,895 S * 1/2004 Coli D15/127
D484,896 S * 1/2004 Coli D15/127
D485,284 S * 1/2004 Coli D15/127
6,986,370 B1 * 1/2006 Schoene B23D 45/062
108/102
D532,802 S * 11/2006 Liu D15/133
D569,402 S * 5/2008 DiPasquale D15/133
D586,371 S * 2/2009 Leasure D15/133
8,601,926 B2 * 12/2013 Frolov B23D 47/025
83/471.2
D800,803 S * 10/2017 Laliberte D15/133

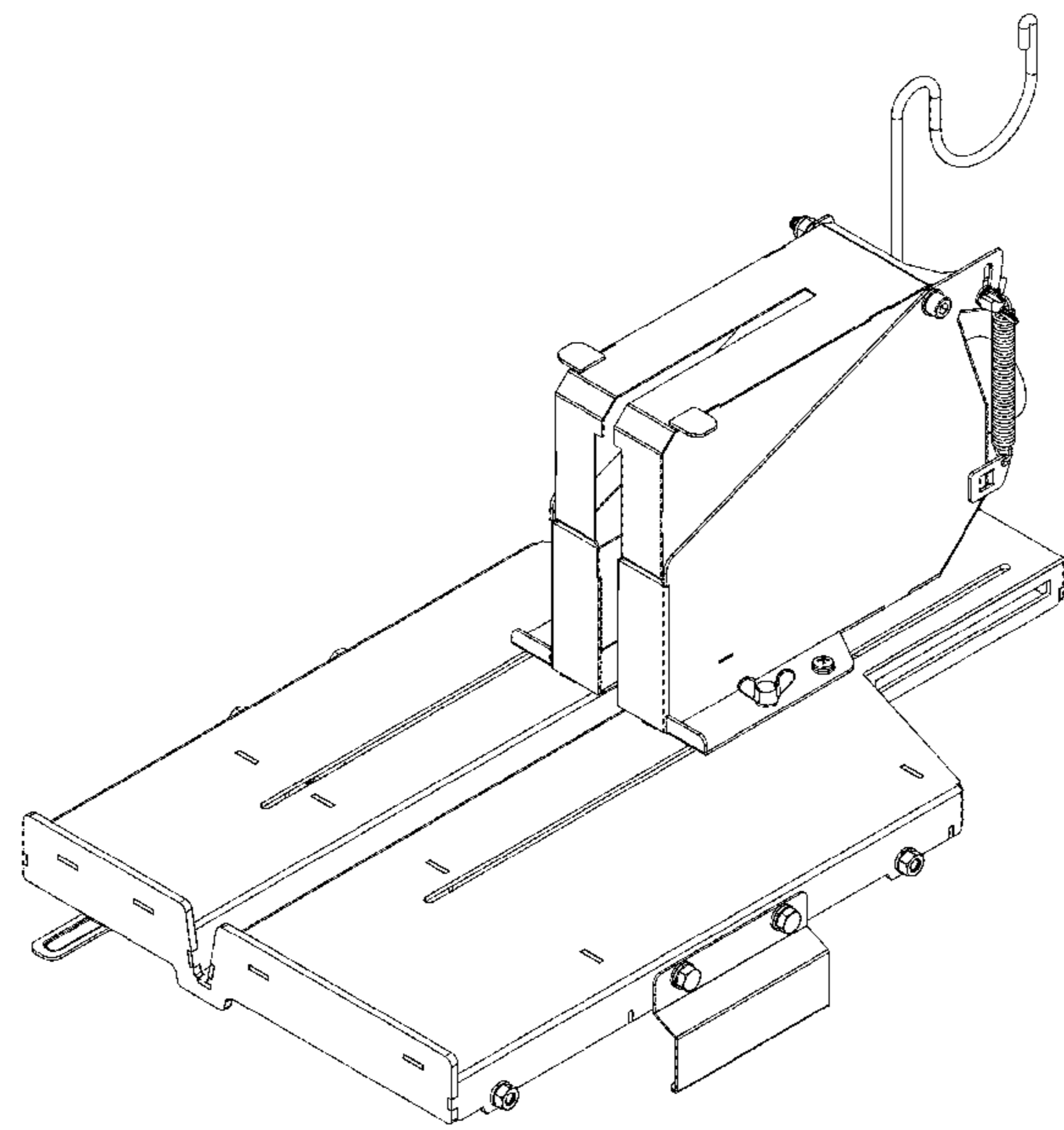
2011/0089155 A1* 4/2011 Lee B23D 59/02
219/241
2012/0118120 A1* 5/2012 Niichel B27G 21/00
83/451
2018/0345526 A1* 12/2018 Garces B27G 19/08
(Continued)

Primary Examiner — Philip S Hyder
(74) *Attorney, Agent, or Firm* — Raymond Y. Chan;
David and Raymond Patent Firm

(57) **CLAIM**
The ornamental design for an environment control apparatus for cutting machine, as shown and as described.

DESCRIPTION
FIG. 1 is a top, right, front perspective view showing my new design.
FIG. 2 is a top, left, rear perspective view thereof.
FIG. 3 is a front view thereof.
FIG. 4 is a left end view thereof.
FIG. 5 is a right end view thereof.
FIG. 6 is a top view thereof.
FIG. 7 is a bottom view thereof.
FIG. 8 is a top, right, front perspective view thereof, showing an environment of a cutting machine.
FIG. 9 is a top, left, rear perspective view thereof, showing the environment of the cutting machine.
FIG. 10 is a top, right, front perspective view thereof, showing the sliding vacuum hood in the front most position.
FIG. 11 is a top, right, front perspective view thereof, showing the sliding vacuum hood in the rear most position; and,
FIG. 12 is a top, right, front perspective view thereof, showing the actuating chamber rotatably attached to the sliding vacuum in the down most position.
The broken lines in the drawings are for illustrative purposes only and forming no part of the claimed design.

1 Claim, 12 Drawing Sheets



(56)

References Cited

U.S. PATENT DOCUMENTS

2019/0105797 A1* 4/2019 Chang B27B 27/10
2020/0391403 A1* 12/2020 Dutterer B27G 19/08

* cited by examiner

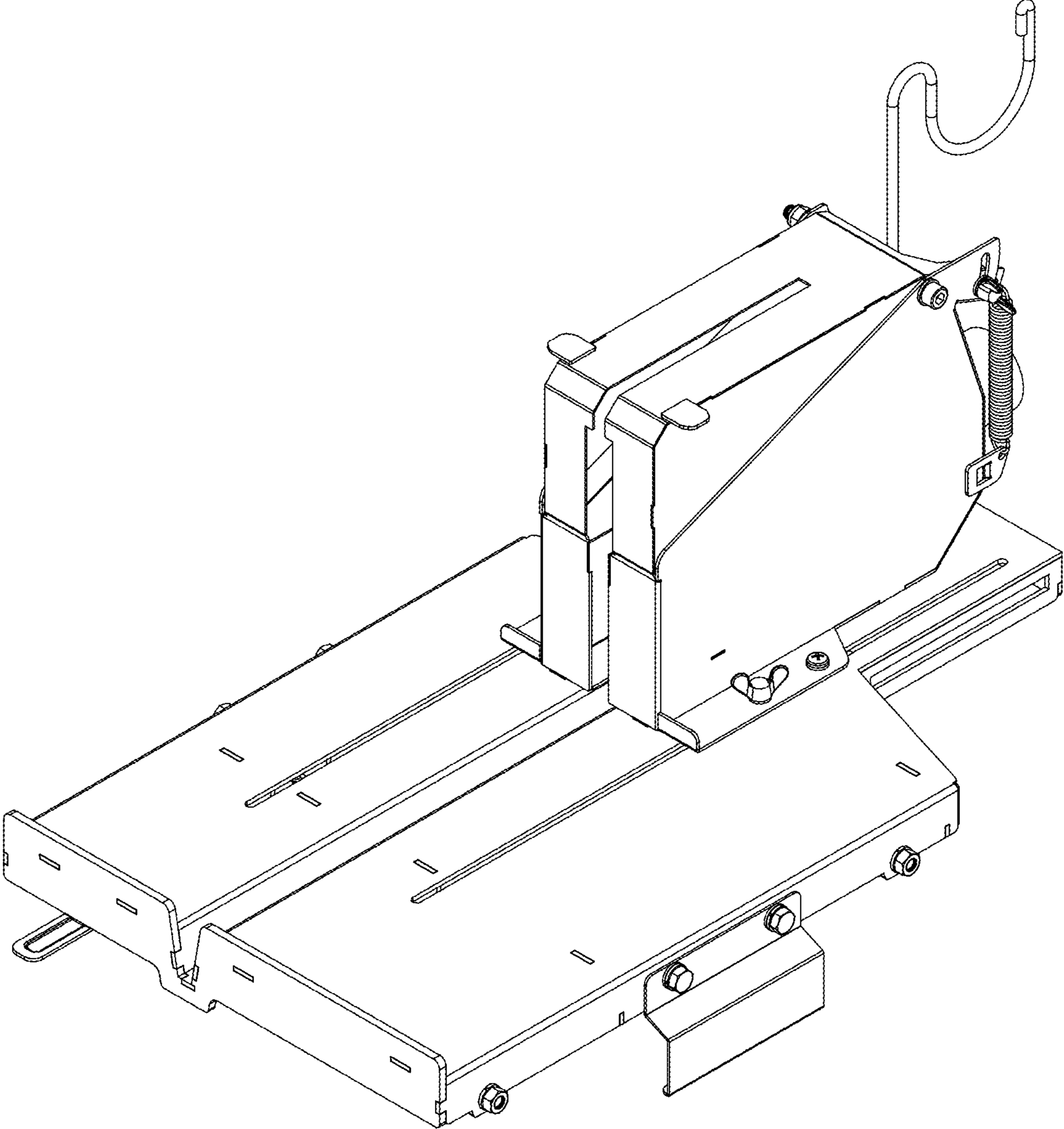


Fig. 1

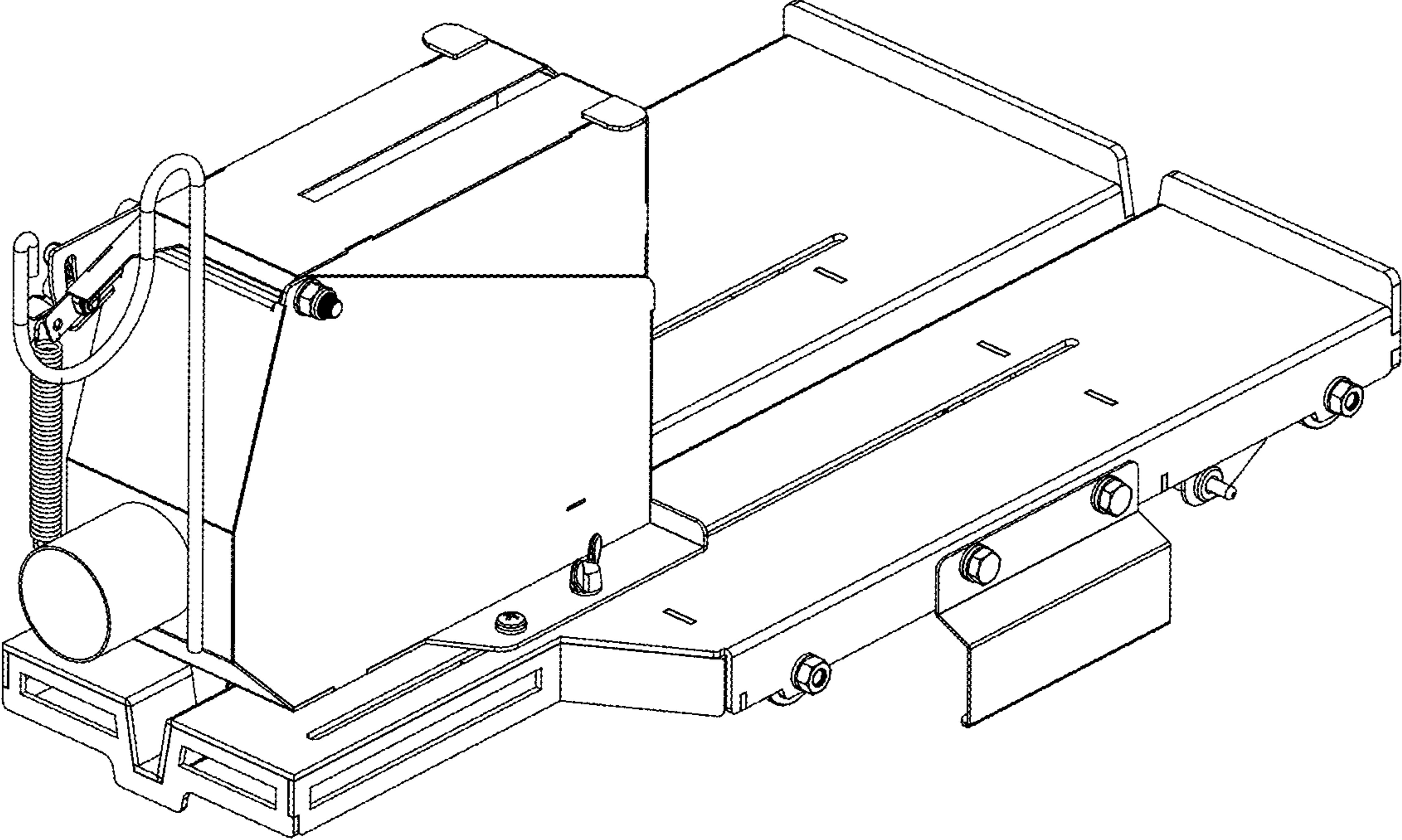


Fig. 2

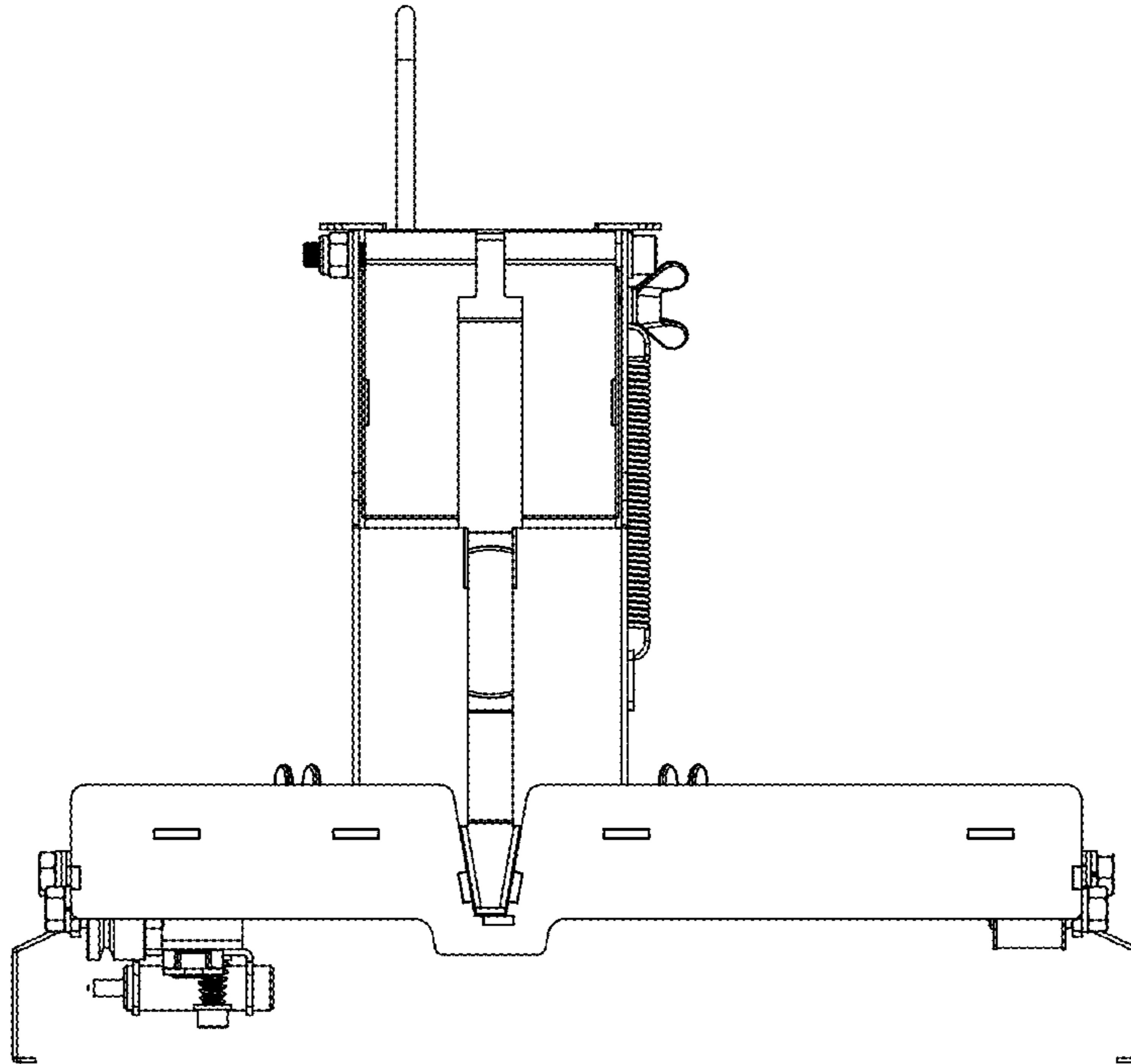


Fig. 3

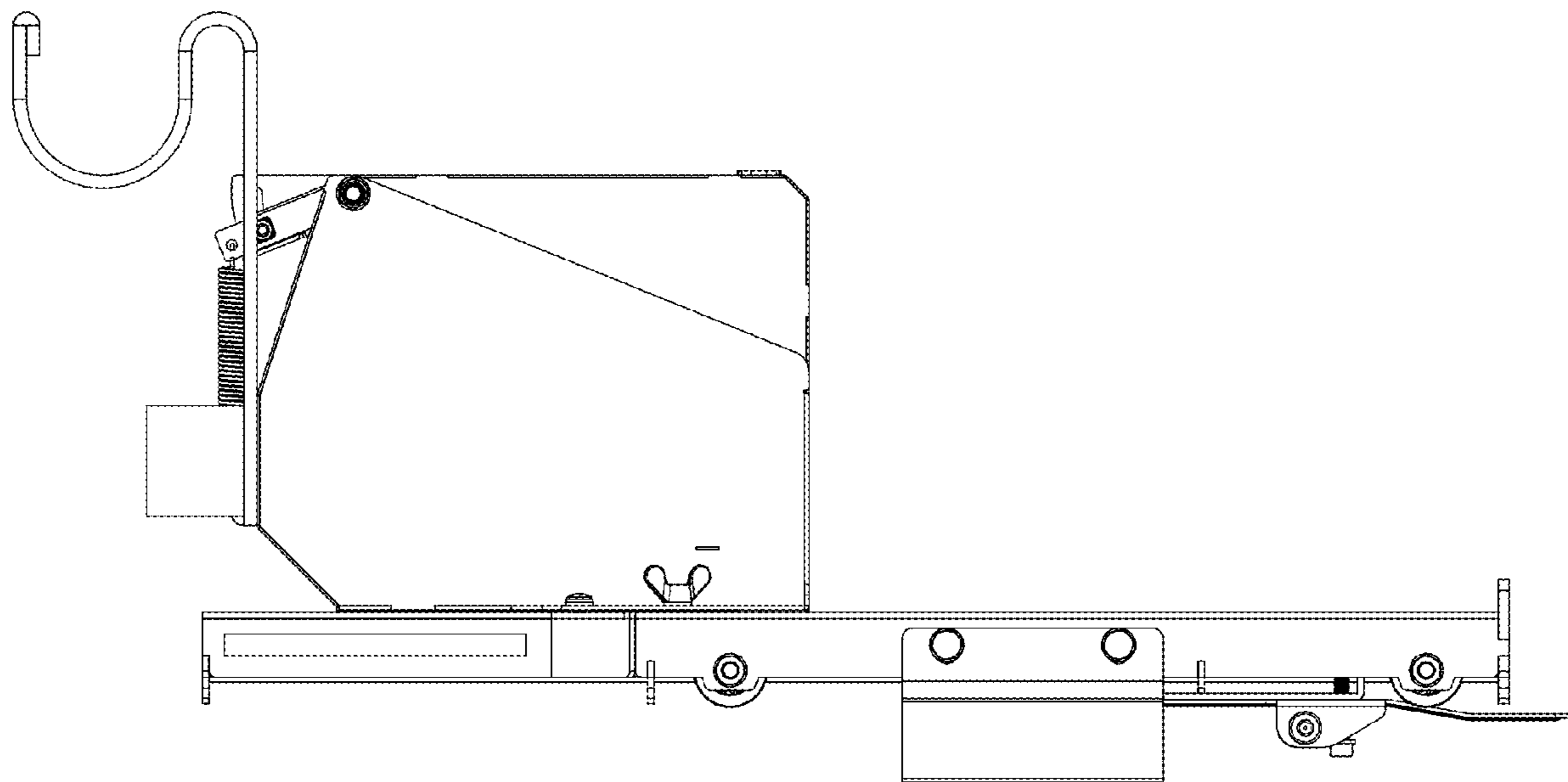


Fig. 4

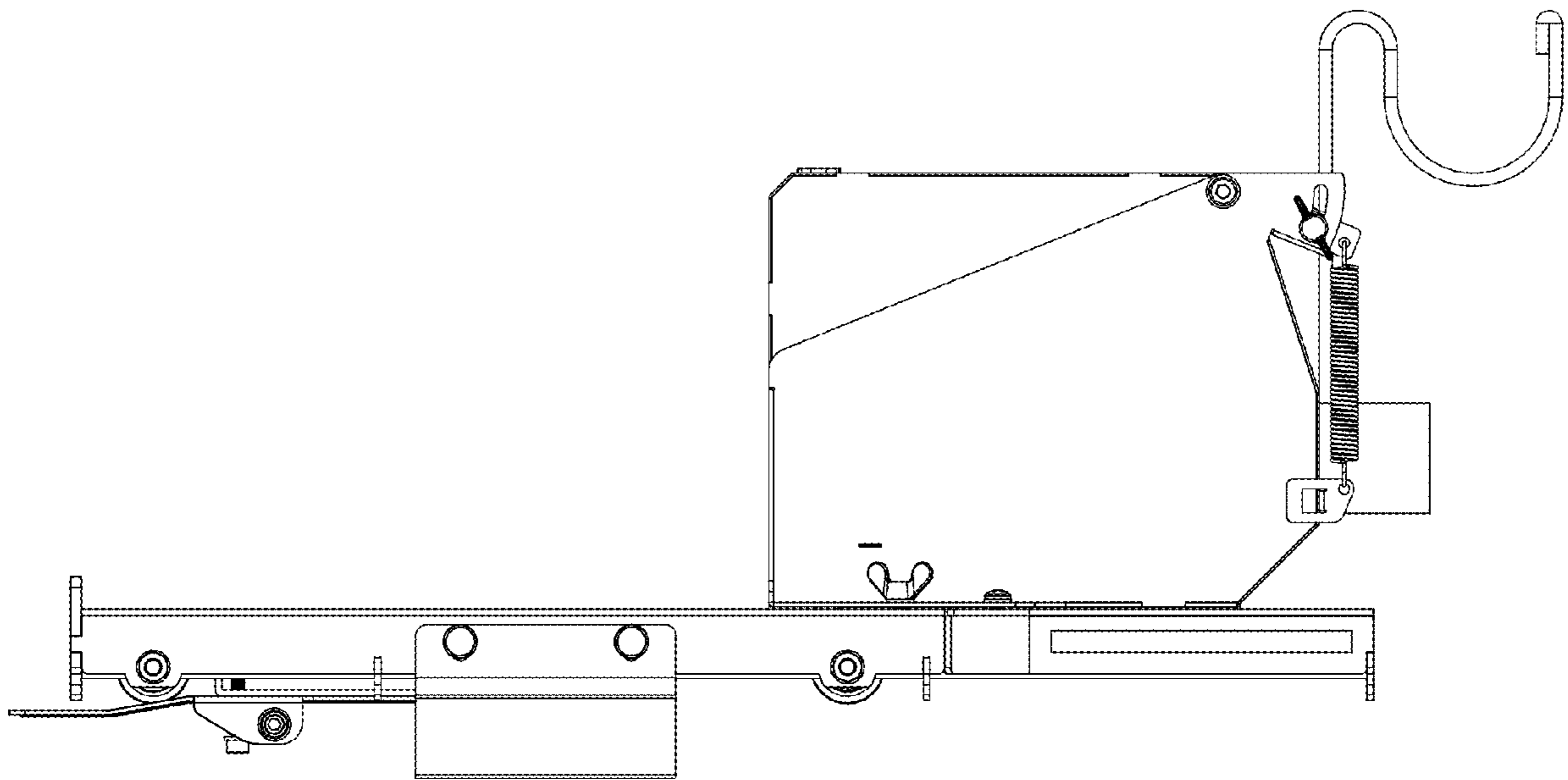


Fig. 5

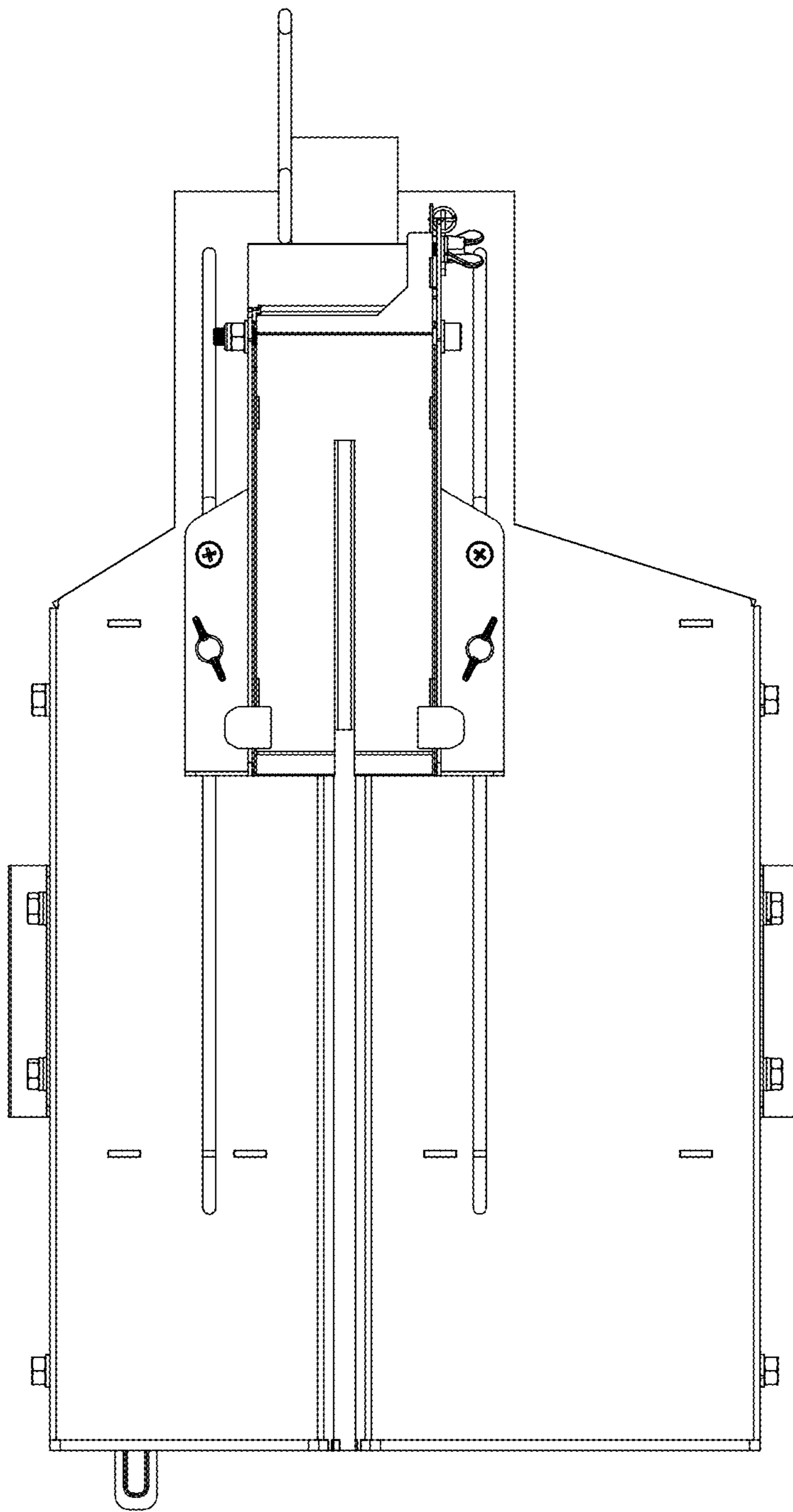


Fig. 6

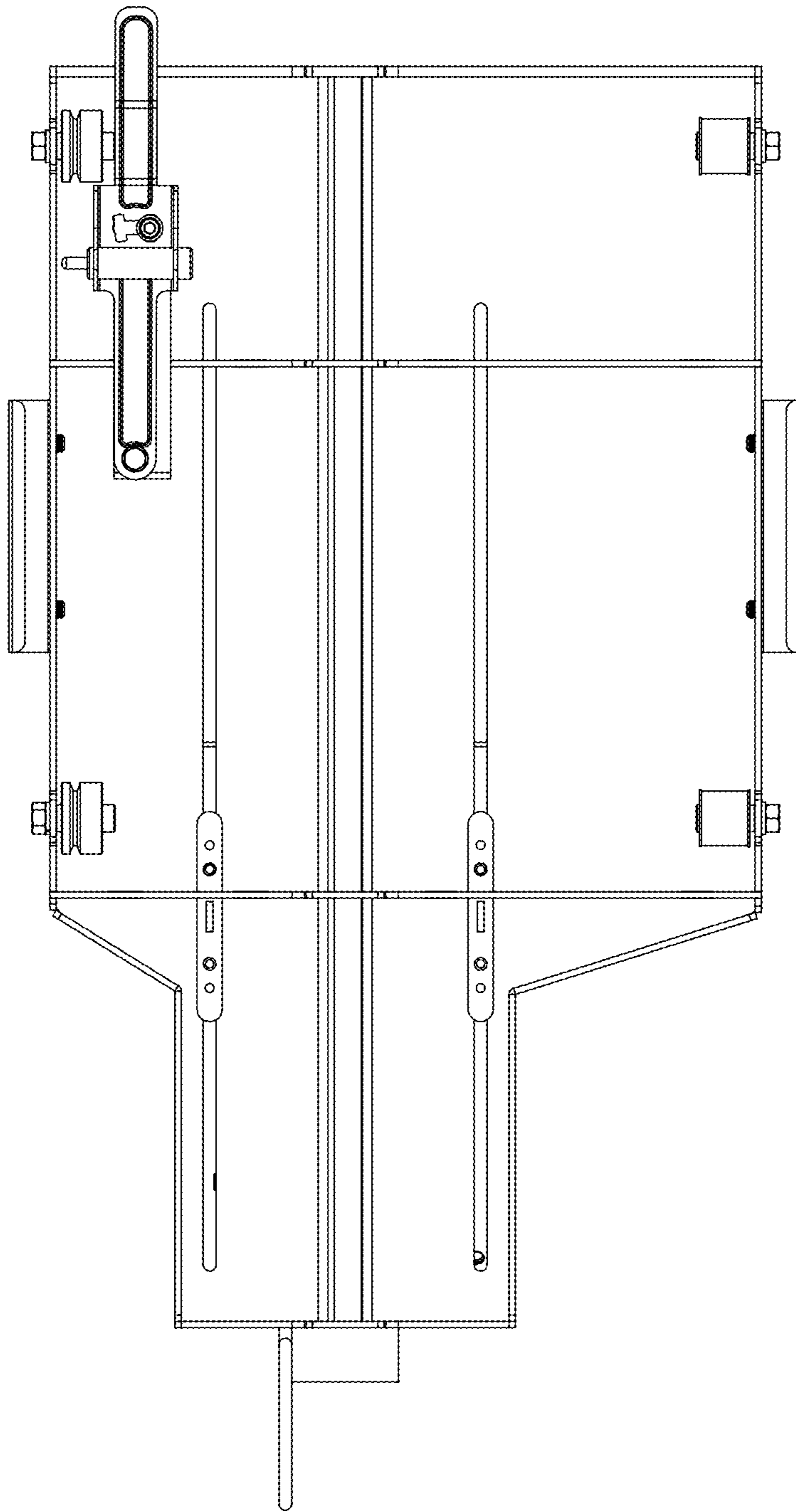


Fig. 7

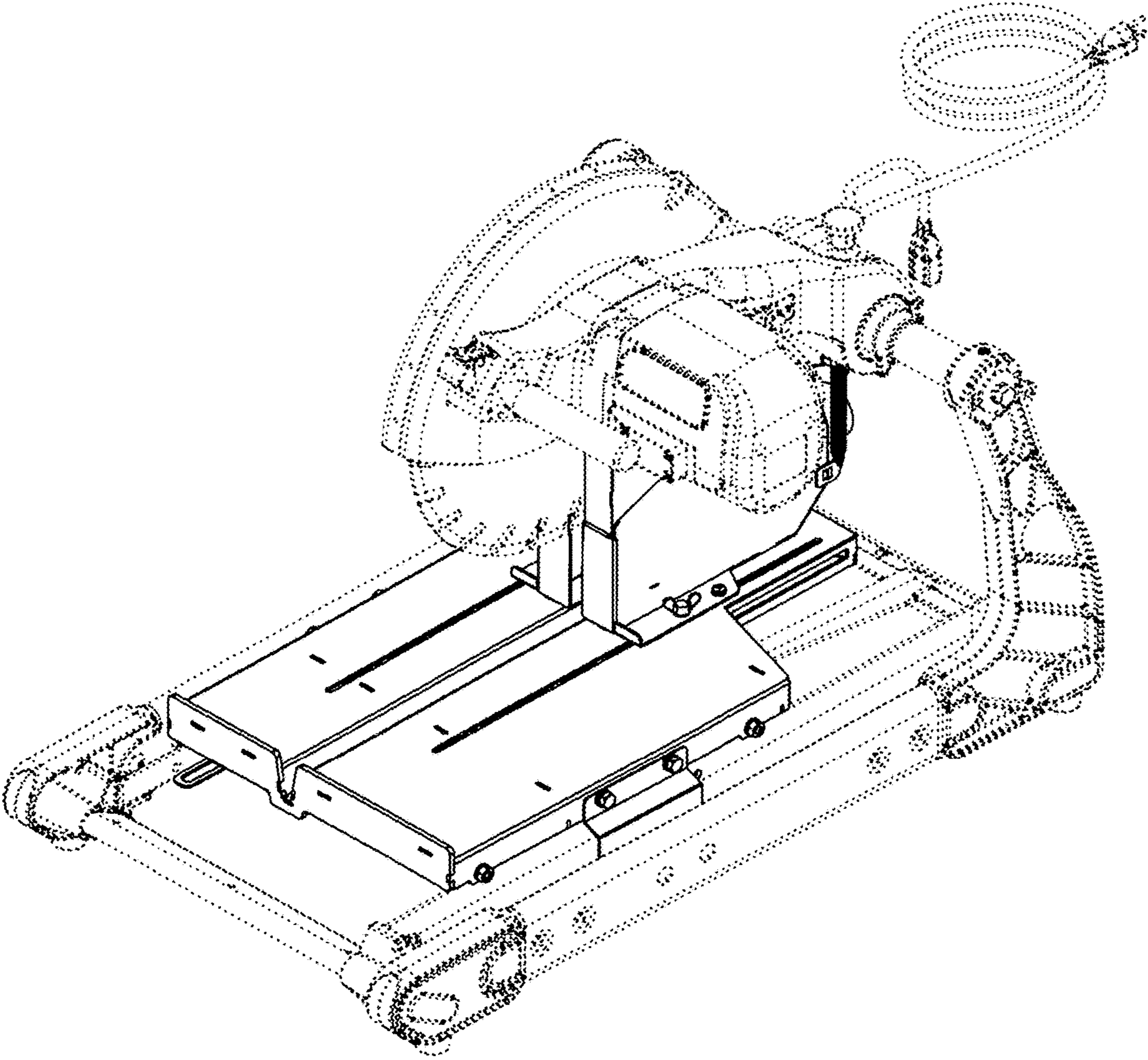


Fig. 8

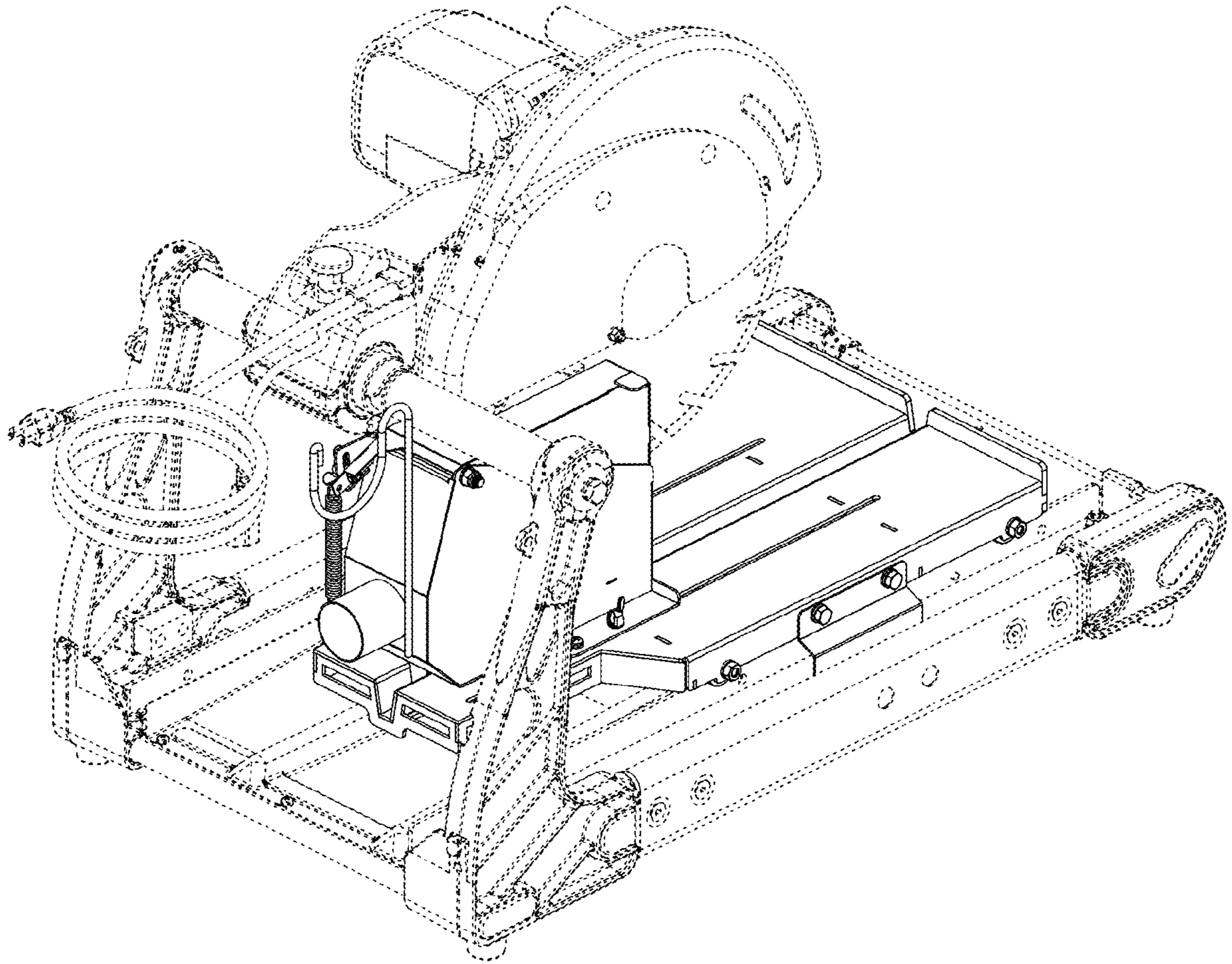


Fig. 9

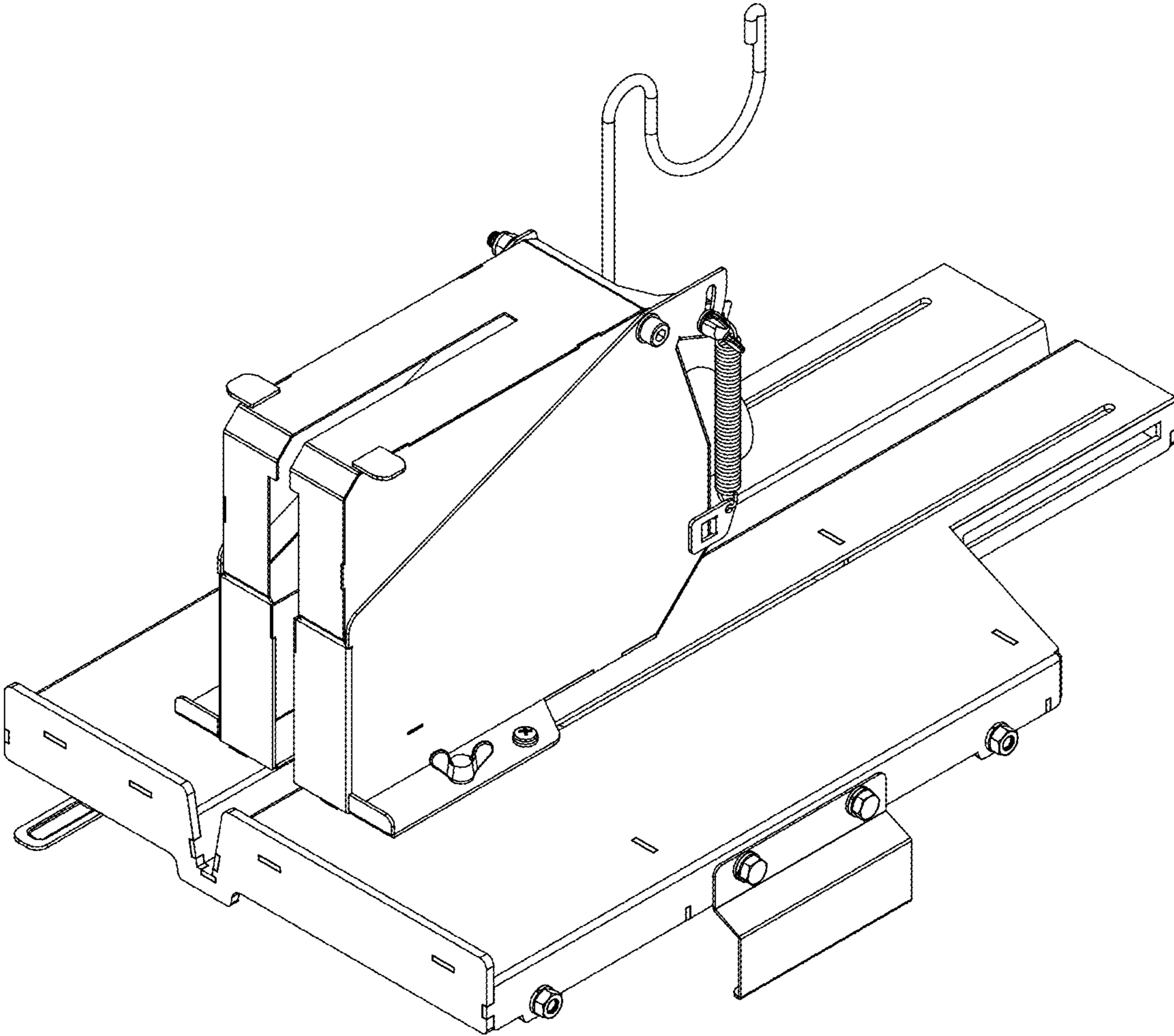


Fig. 10

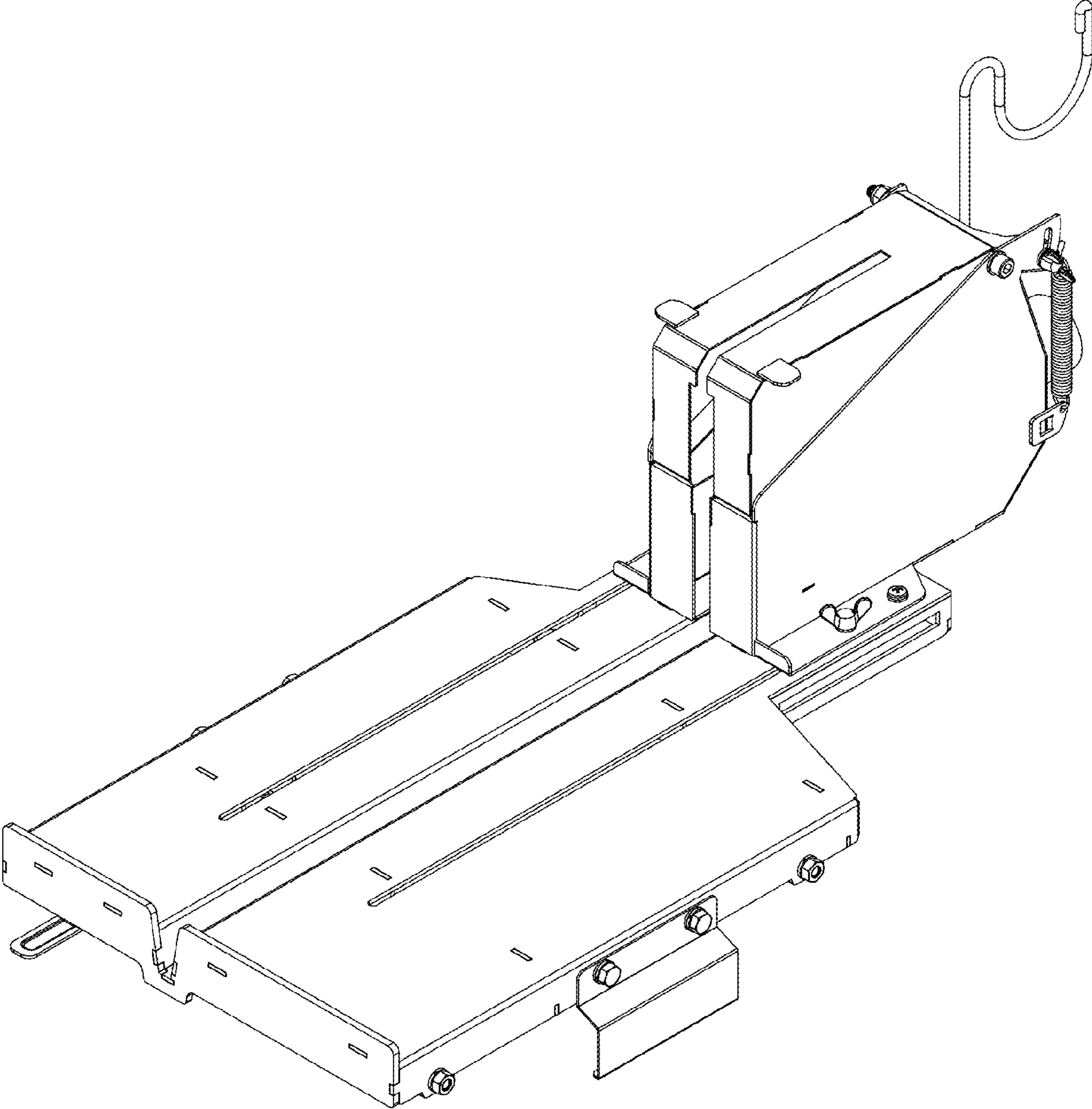


Fig. 11

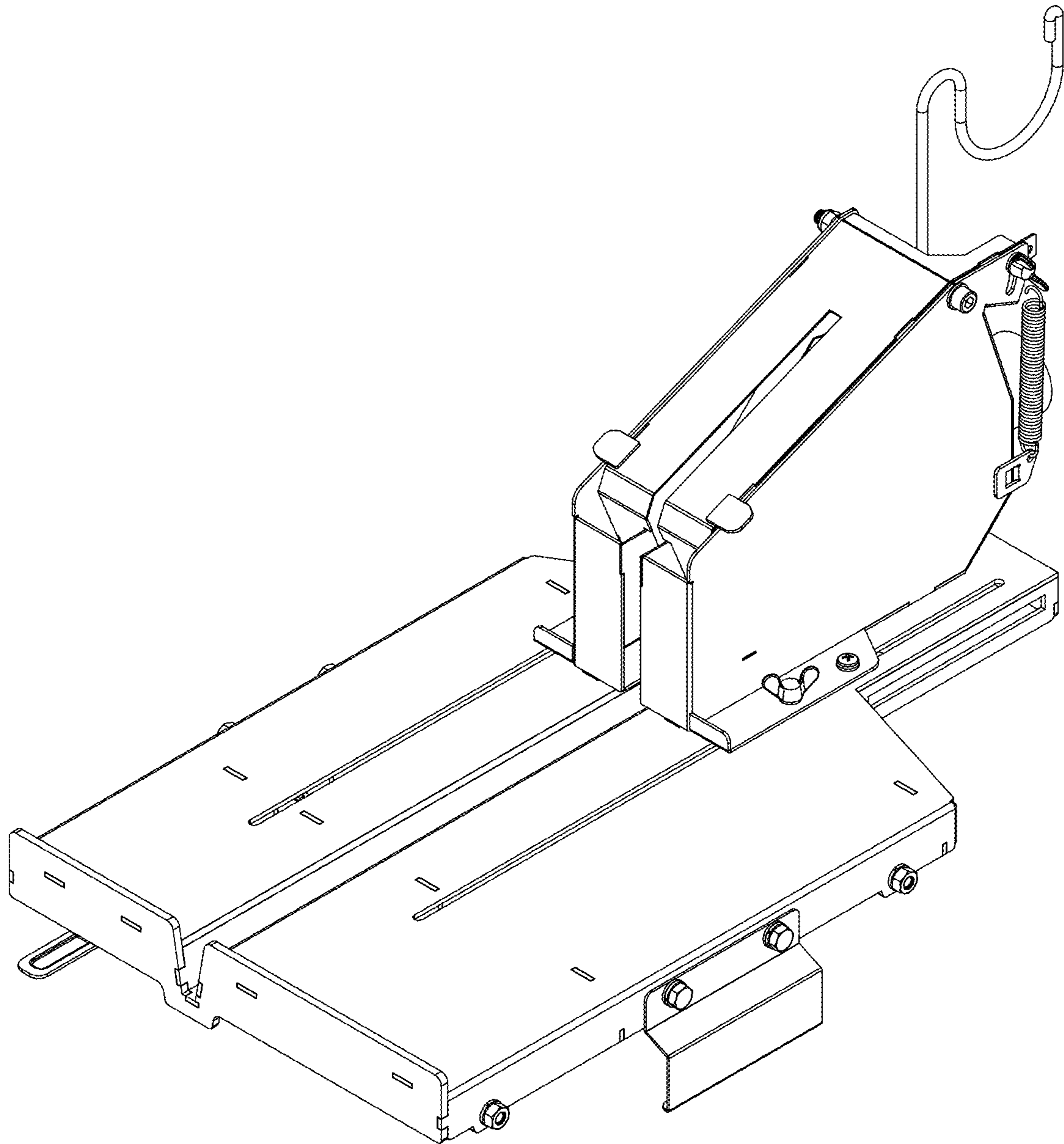


Fig. 12