



US00D956114S

(12) **United States Design Patent** (10) **Patent No.:** **US D956,114 S**  
**Lee** (45) **Date of Patent:** **\*\* Jun. 28, 2022**

(54) **3D PRINTER**

(71) Applicant: **Anatz Inc.**, Seoul (KR)

(72) Inventor: **Dongyub Lee**, Seoul (KR)

(73) Assignee: **Anatz Inc.**, Seoul (KR)

(\*\*) Term: **15 Years**

(21) Appl. No.: **29/719,339**

(22) Filed: **Jan. 3, 2020**

(51) **LOC (13) Cl.** ..... **15-09**

(52) **U.S. Cl.**

USPC ..... **D15/122**; D15/135; D18/50

(58) **Field of Classification Search**

USPC ... D18/4.1, 4.4, 4.6, 34.1, 6, 7, 14, 19, 34.3,  
D18/34.7, 34.8, 34.9, 36, 37, 38, 39, 46,  
D18/47, 48, 49, 50, 53, 54, 55, 56, 59;  
D14/300, 301, 302, 303, 307, 308, 314,  
D14/321, 365, 445, 446; D15/122, 135,  
D15/138, 145, 146

CPC .... H04N 1/00278; B26D 1/045; B26D 1/065;  
B41J 15/044; B41J 2/1752; B41J 29/02;  
B41J 29/08; B41J 17/00; B41J 15/42;  
B41J 15/12; B41J 11/58; B41J 3/4075;  
B29C 47/12

See application file for complete search history.

(56) **References Cited**

**U.S. PATENT DOCUMENTS**

D722,108 S \* 2/2015 Reches ..... D18/50  
D737,345 S \* 8/2015 Anantha ..... D15/122  
D739,885 S \* 9/2015 Lee ..... D15/122  
D765,745 S \* 9/2016 Cheung ..... D15/122  
9,479,667 B1 \* 10/2016 Lee ..... H04N 1/047  
D792,487 S \* 7/2017 Cruz ..... D15/122  
9,839,234 B2 \* 12/2017 Din ..... B33Y 30/00  
D835,690 S \* 12/2018 Issa ..... D15/122  
D837,850 S \* 1/2019 Longo ..... D15/145  
D841,066 S \* 2/2019 Kita ..... D15/199

D845,357 S \* 4/2019 Chen ..... D15/122  
D871,463 S \* 12/2019 Cao ..... D15/122  
2016/0176108 A1 \* 6/2016 Tadin ..... B29C 64/106  
425/375  
2017/0182717 A1 \* 6/2017 Byun ..... B28B 1/001  
2019/0022933 A1 \* 1/2019 Ho ..... B33Y 30/00  
2019/0061265 A1 \* 2/2019 Ho ..... B29C 64/386

(Continued)

**FOREIGN PATENT DOCUMENTS**

CN 304081196 \* 3/2017  
IN 278030-0001 \* 10/2018

**OTHER PUBLICATIONS**

Anatz hashtag p. 1, 2019 on Instagram-<https://www.instagram.com/p/BuB1N1ZHNIv/> (Year: 2019).\*

(Continued)

*Primary Examiner* — Jennifer L Rempfer  
*Assistant Examiner* — Danielle Nichole Bowly  
(74) *Attorney, Agent, or Firm* — Revolution IP, PLLC

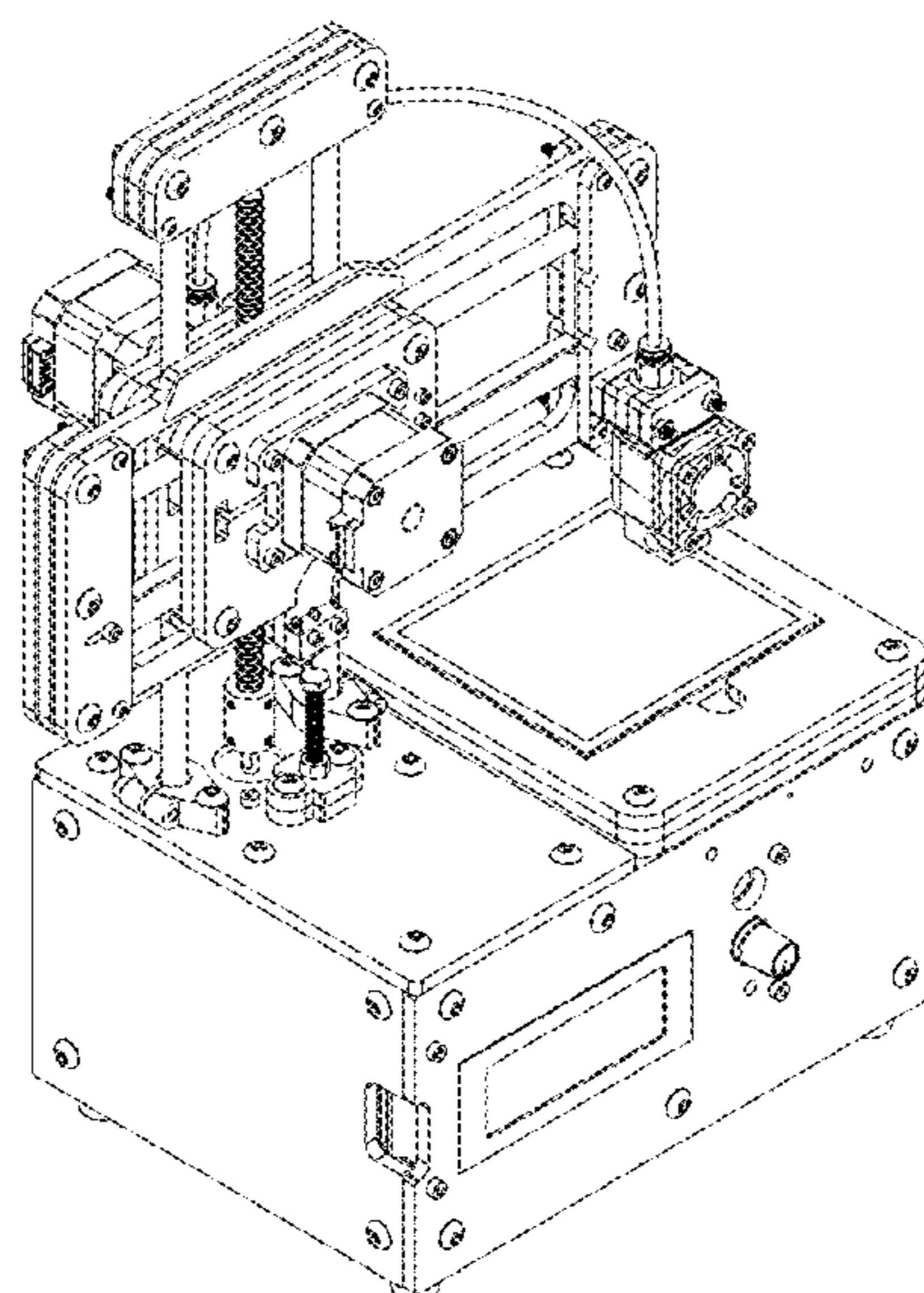
(57) **CLAIM**

The ornamental design for a 3D printer, as shown and described.

**DESCRIPTION**

FIG. 1 is a top, front, left isometric view of a 3D printer showing the claimed design;  
FIG. 2 is a top, rear, left isometric view thereof;  
FIG. 3 is a top, front, right isometric view thereof;  
FIG. 4 is a top, rear, right isometric view thereof;  
FIG. 5 is a bottom, front, left isometric view thereof;  
FIG. 6 is a bottom, rear, left isometric view thereof;  
FIG. 7 is a bottom, front, right isometric view thereof; and,  
FIG. 8 is a bottom, rear, right isometric view thereof.  
The broken lines in FIGS. 1-8 depict portions of the 3D printer that form no part of the claimed design.

**1 Claim, 8 Drawing Sheets**



(56)

**References Cited**

U.S. PATENT DOCUMENTS

2019/0212716 A1\* 7/2019 Lee ..... B29C 64/30  
2021/0112845 A1\* 4/2021 Fan ..... A23L 5/15  
2021/0206074 A1\* 7/2021 Lee ..... B29C 64/25  
2021/0298343 A1\* 9/2021 Snover ..... B29C 64/209

OTHER PUBLICATIONS

Anatz 3D Printer, p. 1, 2019 Facebook-29719339-<https://www.facebook.com/AnatzLab/photos/a.351104168392299/1286625101506863/?type=3&theater> (Year: 2019).\*

\* cited by examiner

FIG. 1

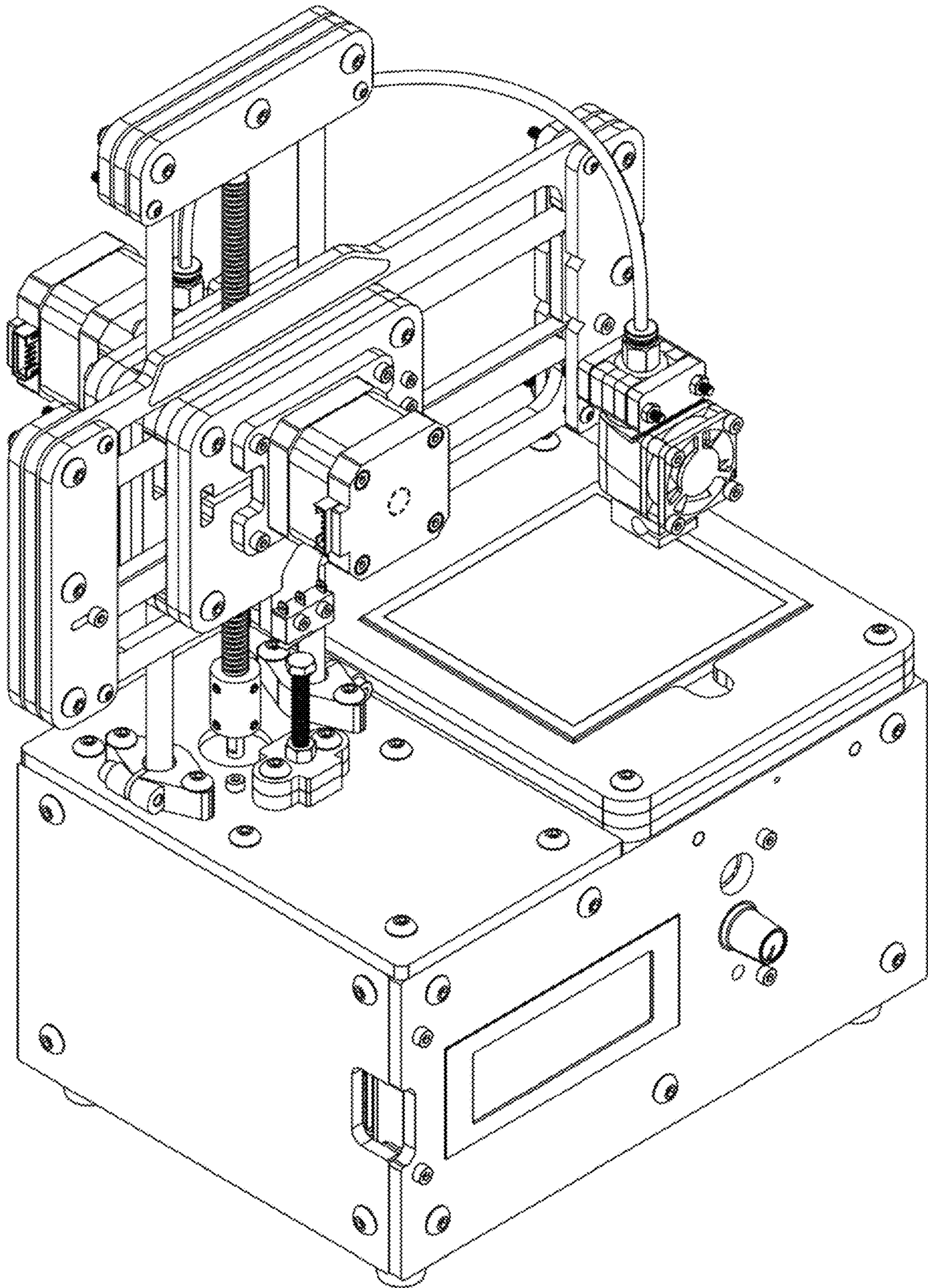


FIG. 2

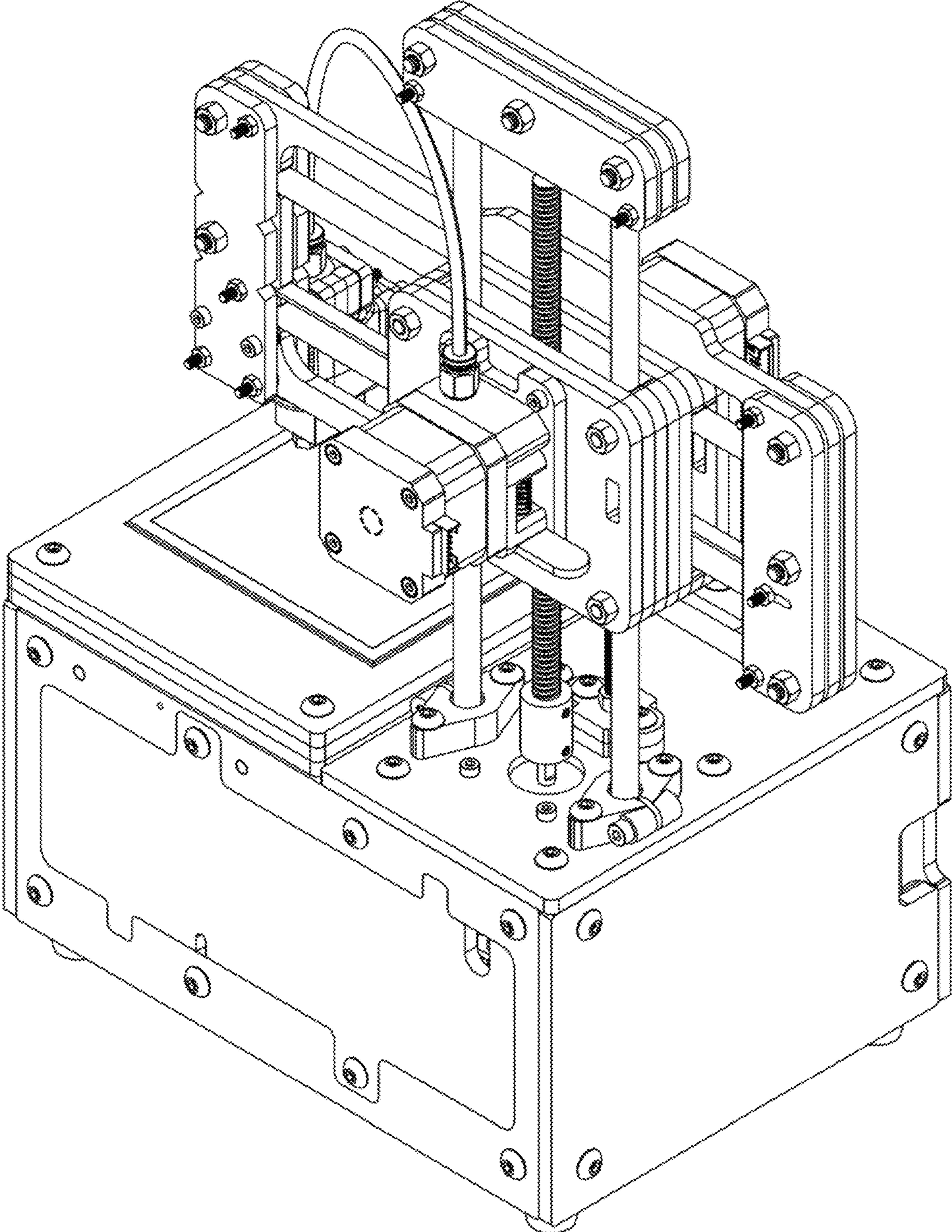


FIG. 3

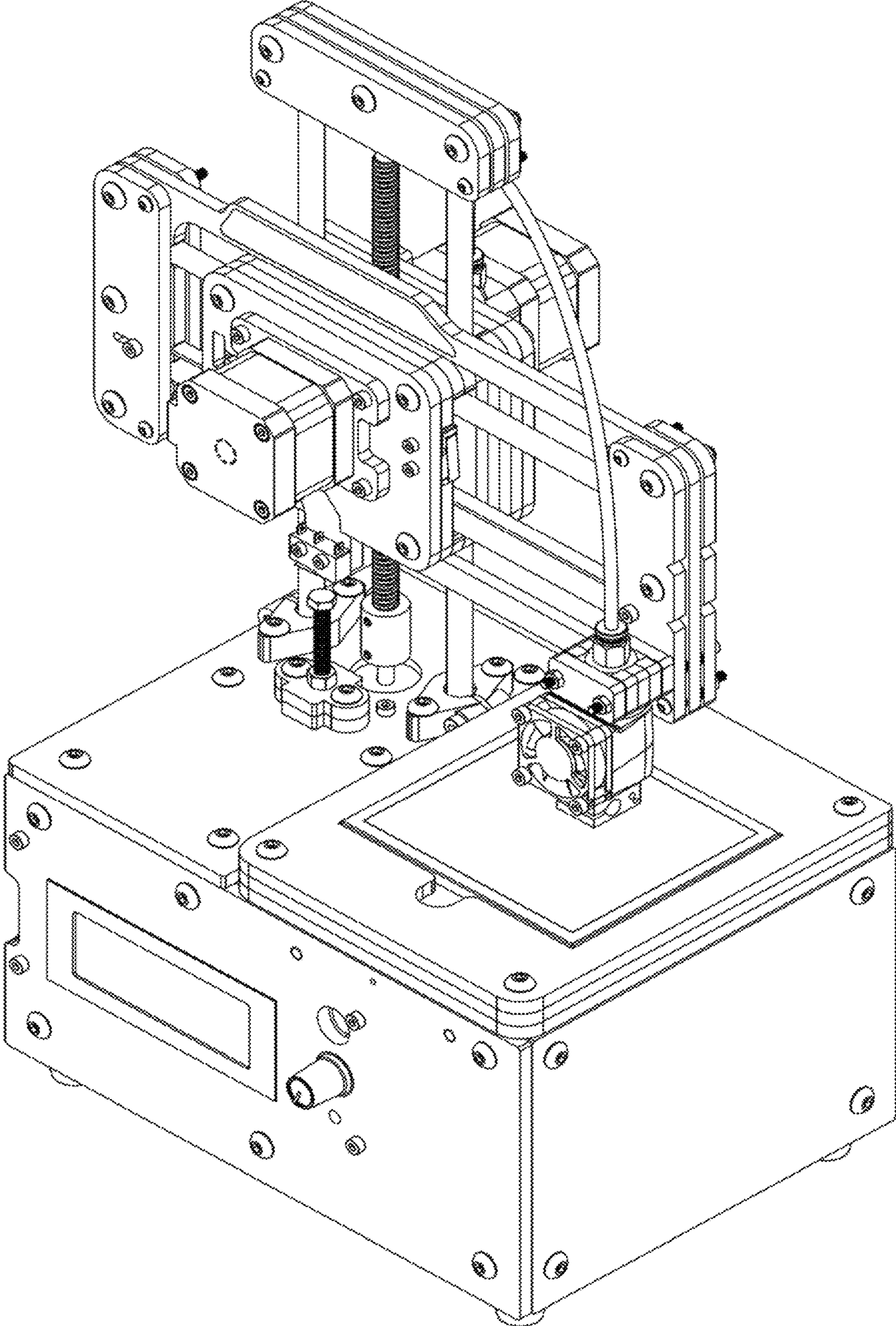


FIG. 4

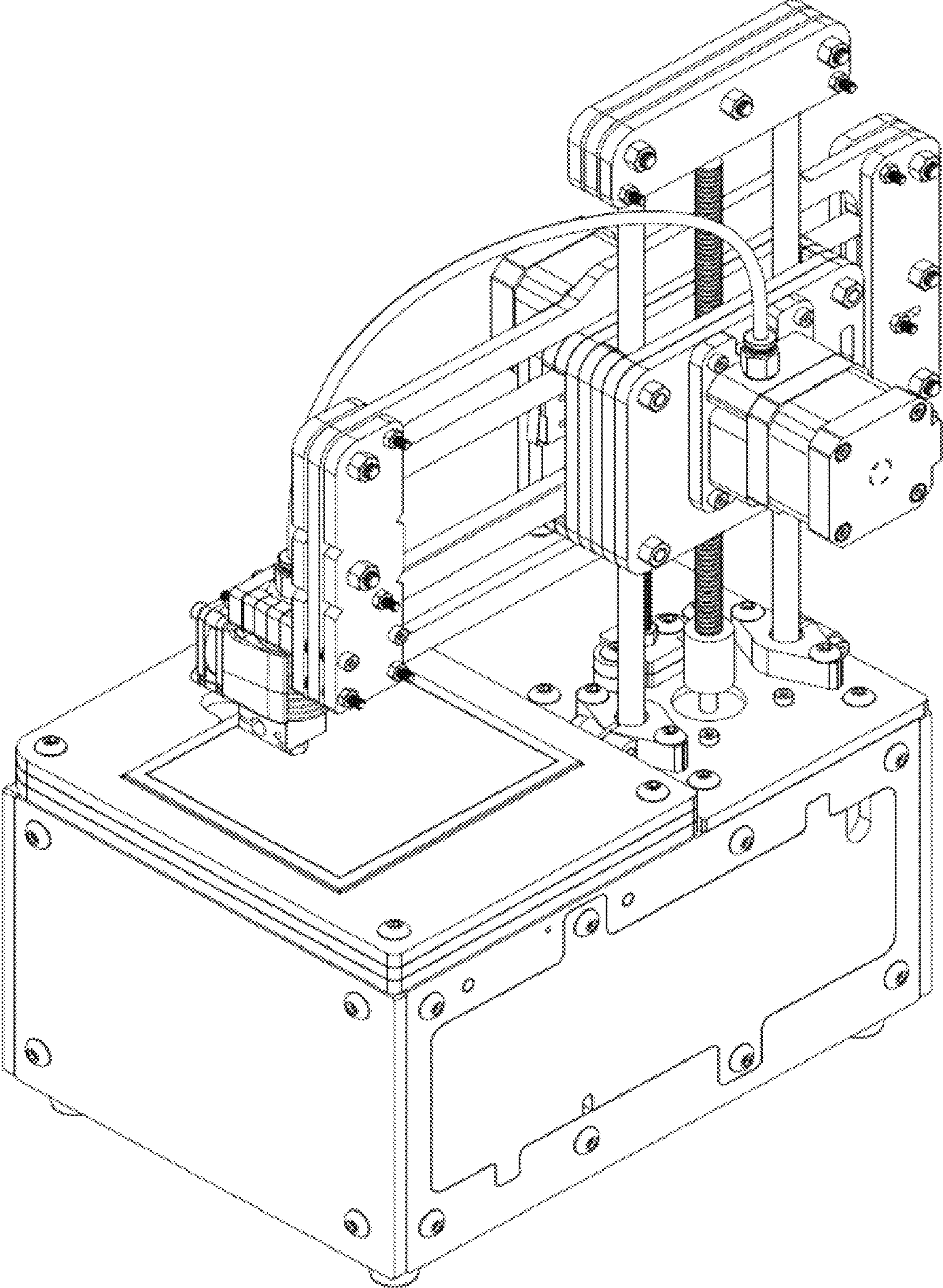


FIG. 5

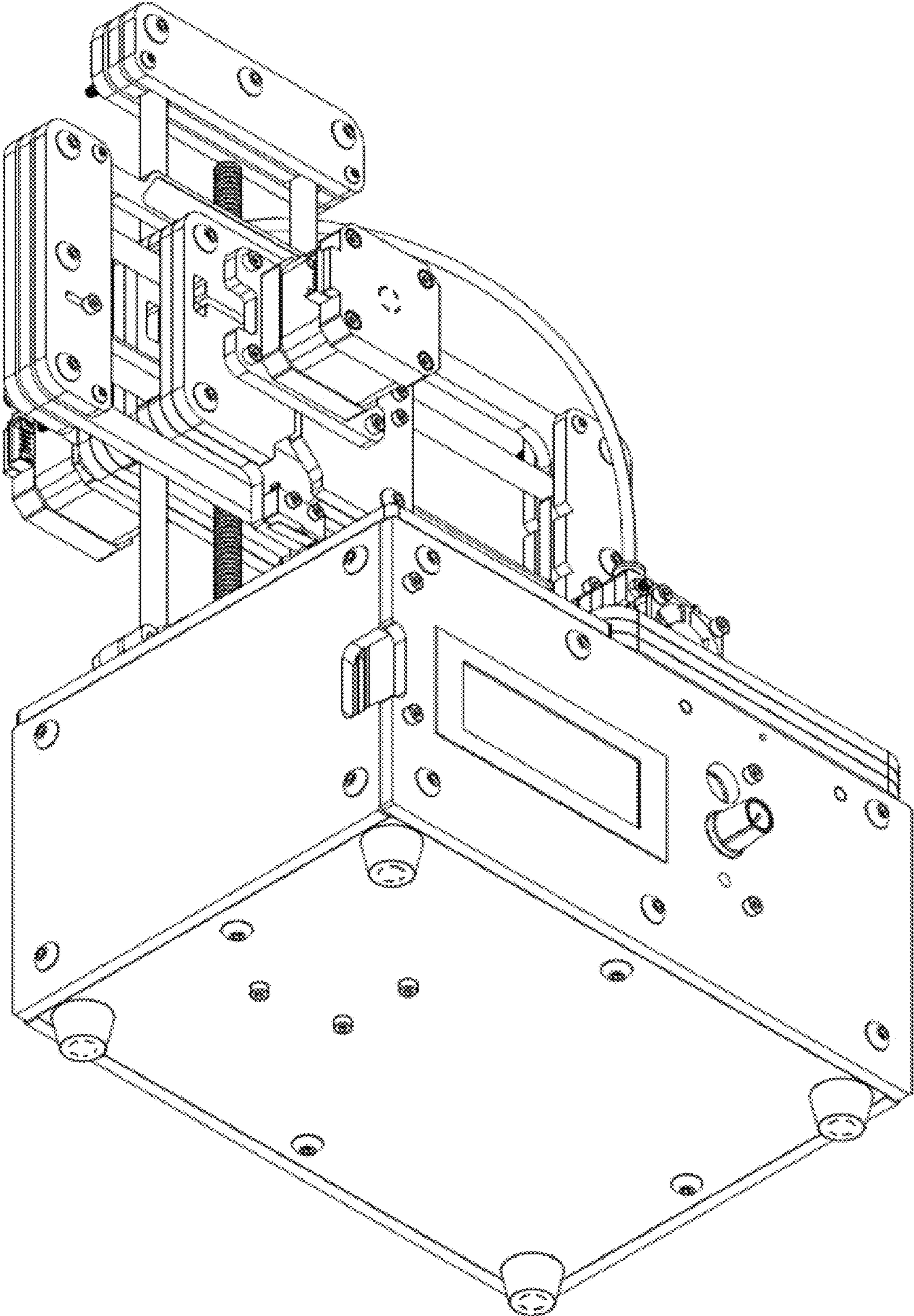


FIG. 6

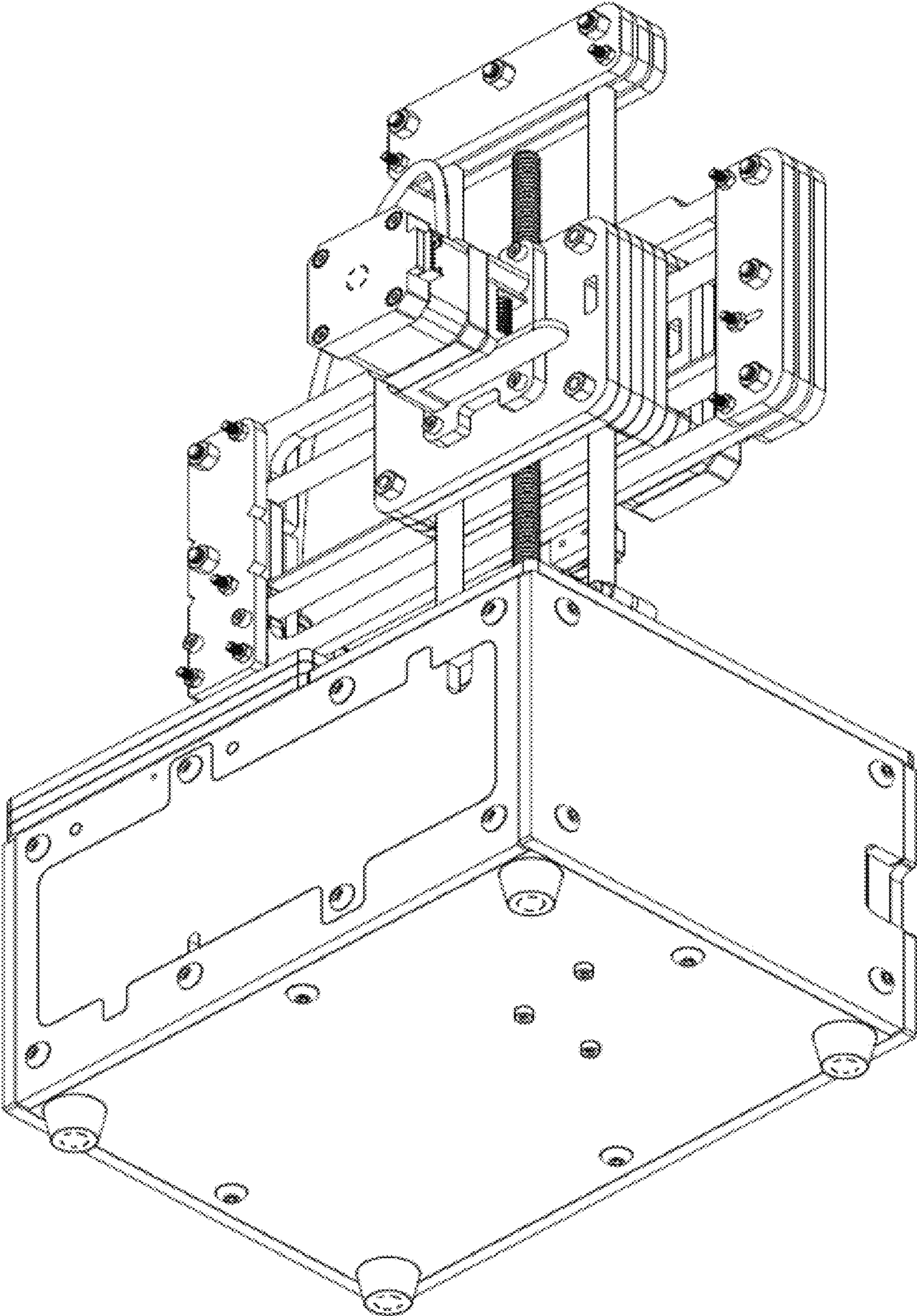




FIG. 7

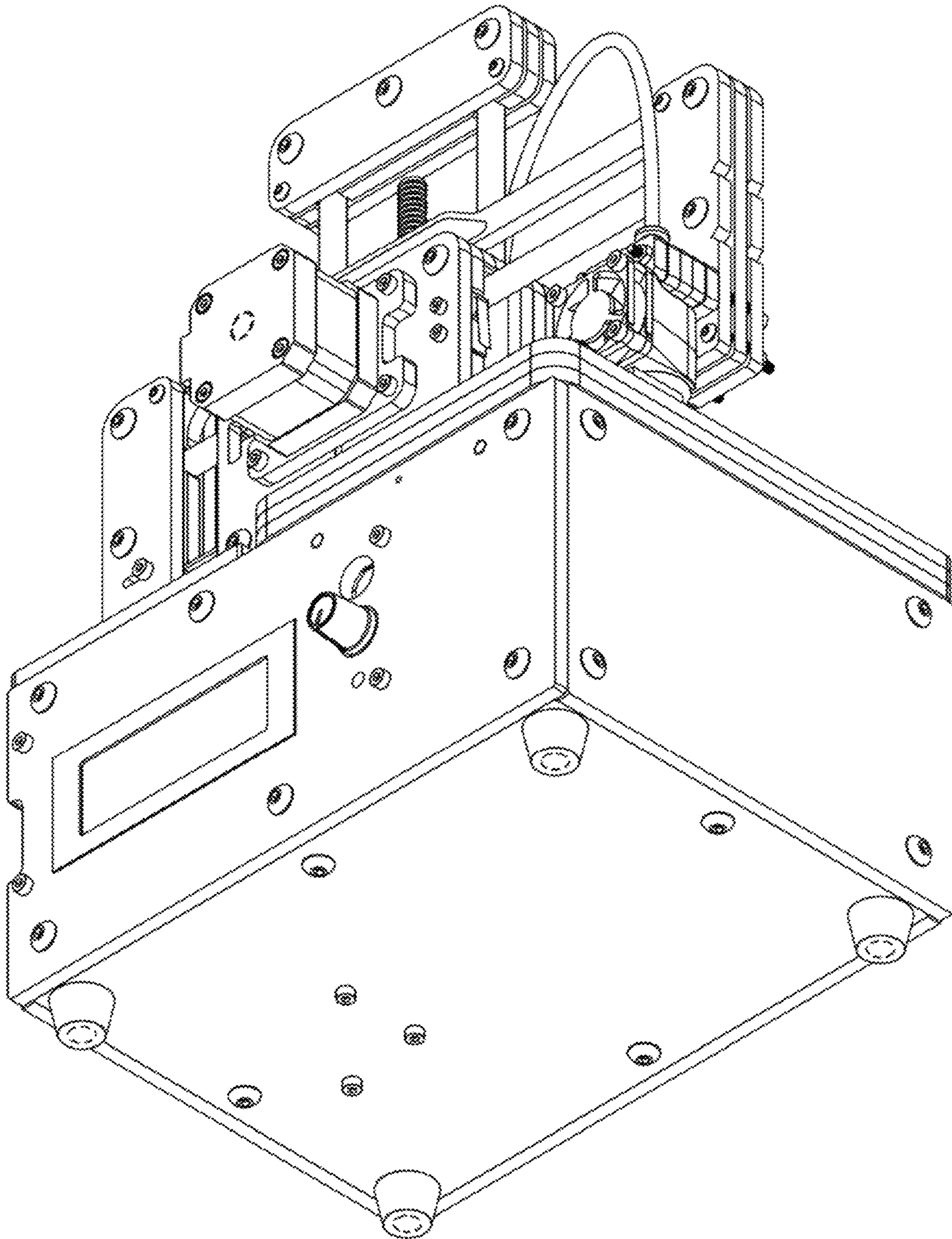


FIG. 8

