



US00D956110S

(12) **United States Design Patent** (10) **Patent No.:** **US D956,110 S**
Malmassari et al. (45) **Date of Patent:** **** Jun. 28, 2022**

(54) **BOOM HOSE APPARATUS**

(71) Applicant: **Federal Signal Corporation**, Oak Brook, IL (US)

(72) Inventors: **Joshua Lee Malmassari**, La Salle, IL (US); **Xiaolun Huang**, Naperville, IL (US)

(73) Assignee: **Federal Signal Corporation**, Oak Brook, IL (US)

(**) Term: **15 Years**

(21) Appl. No.: **29/813,571**

(22) Filed: **Oct. 29, 2021**

Related U.S. Application Data

(62) Division of application No. 29/765,680, filed on Jan. 11, 2021, now Pat. No. Des. 934,923, which is a division of application No. 29/637,493, filed on Feb. 19, 2018, now Pat. No. Des. 916,143.

(51) **LOC (13) Cl.** **15-03**

(52) **U.S. Cl.**
USPC **D15/28**; D12/14

(58) **Field of Classification Search**
USPC D15/28, 21; D12/14, 15
CPC B60P 3/2265; B65F 3/00; B65F 3/0209;
E03F 7/106; Y10T 137/6947; Y10T
137/8807; A47L 9/248; A47L 9/244;
A01G 20/00; A01G 20/43; A01G 20/47;
F16L 3/01; E02F 7/02
See application file for complete search history.

(56) **References Cited**

U.S. PATENT DOCUMENTS

4,659,262 A	4/1987	van Aalst
4,669,145 A	6/1987	Kehr
4,922,571 A	5/1990	Driear
4,935,984 A	6/1990	Bryant et al.

5,050,265 A	9/1991	Stout et al.
5,408,766 A	4/1995	Pobihushchy
5,577,772 A	11/1996	Kaiser
6,438,792 B1	8/2002	Cappellotto
6,792,646 B1	9/2004	Greene et al.
7,658,351 B2	2/2010	Hansen
7,712,481 B1	5/2010	Mayer et al.
8,505,858 B2	8/2013	Hansen
8,881,341 B2	11/2014	Schmidt, Jr.
10,759,324 B2	9/2020	Malmassar et al.
D916,143 S	4/2021	Malmassar et al.
2002/0020760 A1	2/2002	Beggs

(Continued)

Primary Examiner — Mark A Goodwin

(74) *Attorney, Agent, or Firm* — Merchant & Gould P.C.

(57) **CLAIM**

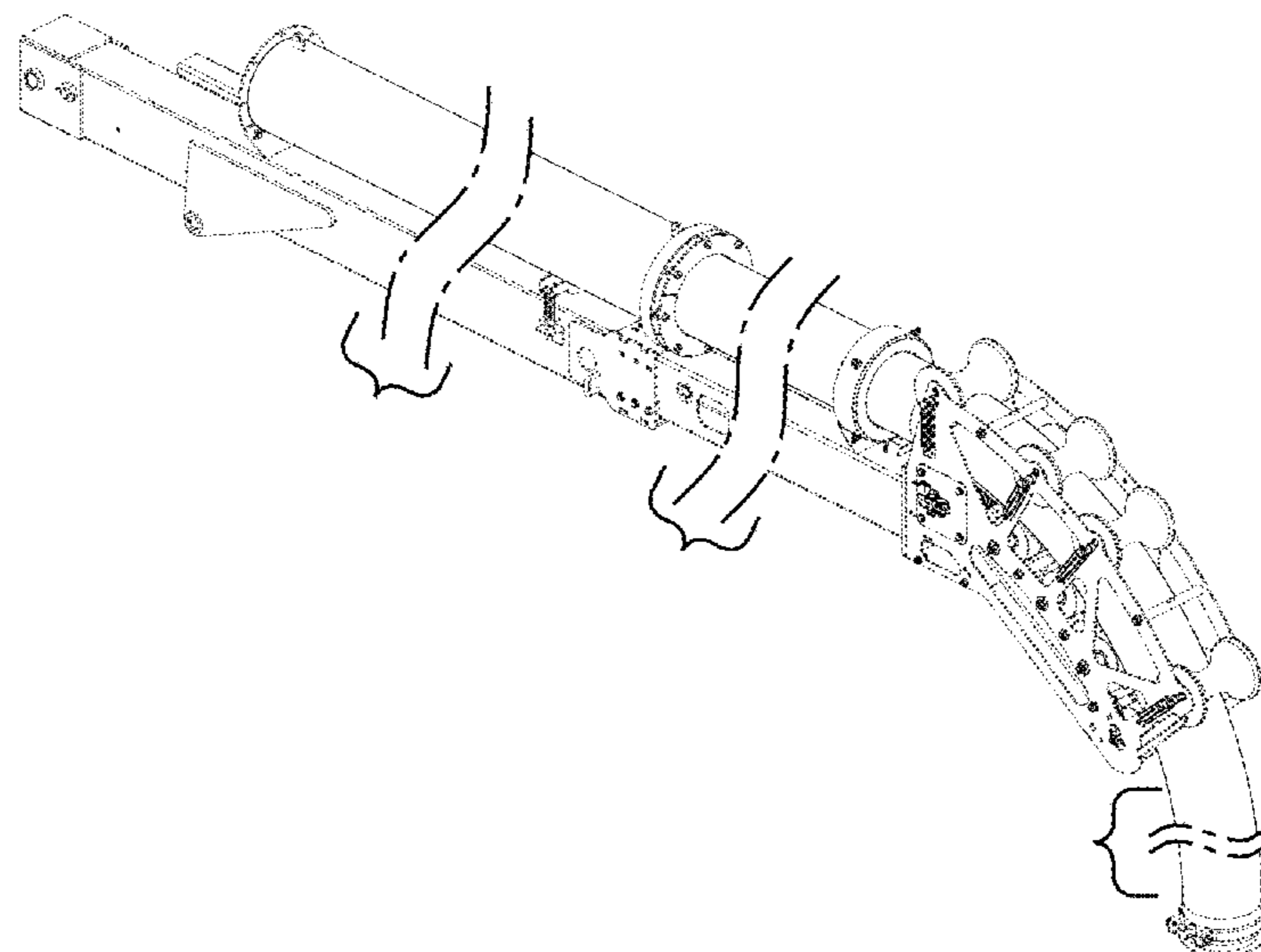
The ornamental design for a boom hose apparatus, as shown and described.

DESCRIPTION

FIG. 1 is a front, top, left side perspective view of a boom hose apparatus showing our new design; FIG. 2 is a front, top, right side perspective view of FIG. 1; FIG. 3 is a front, bottom, right side perspective view of FIG. 1; FIG. 4 is a left side view of FIG. 1; FIG. 5 is a right side view of FIG. 1; FIG. 6 is a front view of FIG. 1; FIG. 7 is a rear view of FIG. 1; FIG. 8 is a top view of FIG. 1; and, FIG. 9 is a bottom view of FIG. 1.

The small evenly spaced broken line showing of a boom is included for the purpose of illustrating portions of a boom hose apparatus and forms no part of the claimed design. The dot-dash wavy broken lines are break lines that represent an indeterminate length, the space between the lines form no part of the claimed design. The curly brackets also represent an indeterminate length and form no part of the claimed design.

1 Claim, 7 Drawing Sheets



(56)

References Cited

U.S. PATENT DOCUMENTS

2004/0069356 A1 4/2004 Lehnhardt et al.
2015/0075624 A1 3/2015 Mahaffa et al.
2017/0342700 A1 11/2017 Wiedemann
2019/0255981 A1 8/2019 Malmassar et al.

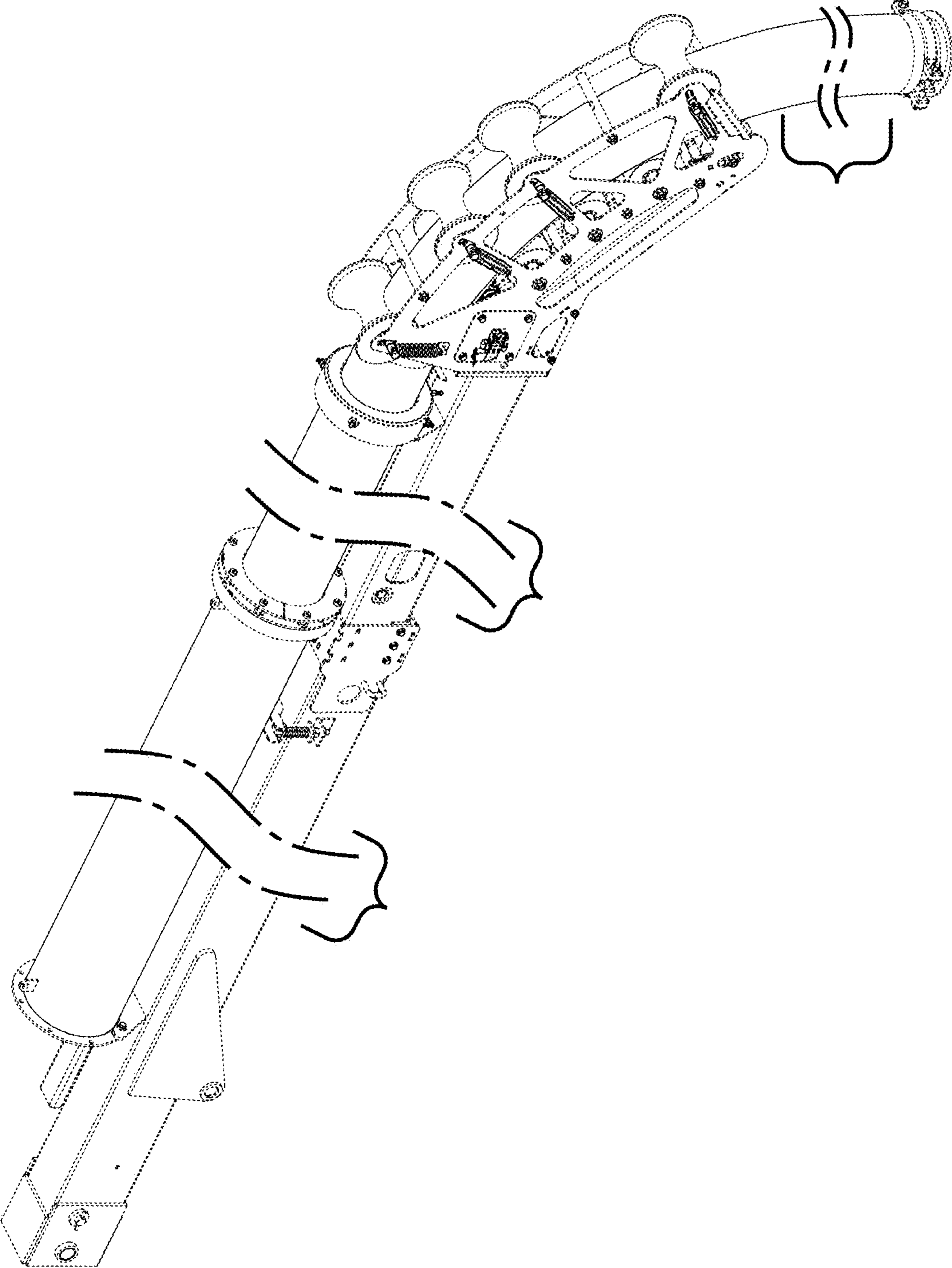


FIG. 1

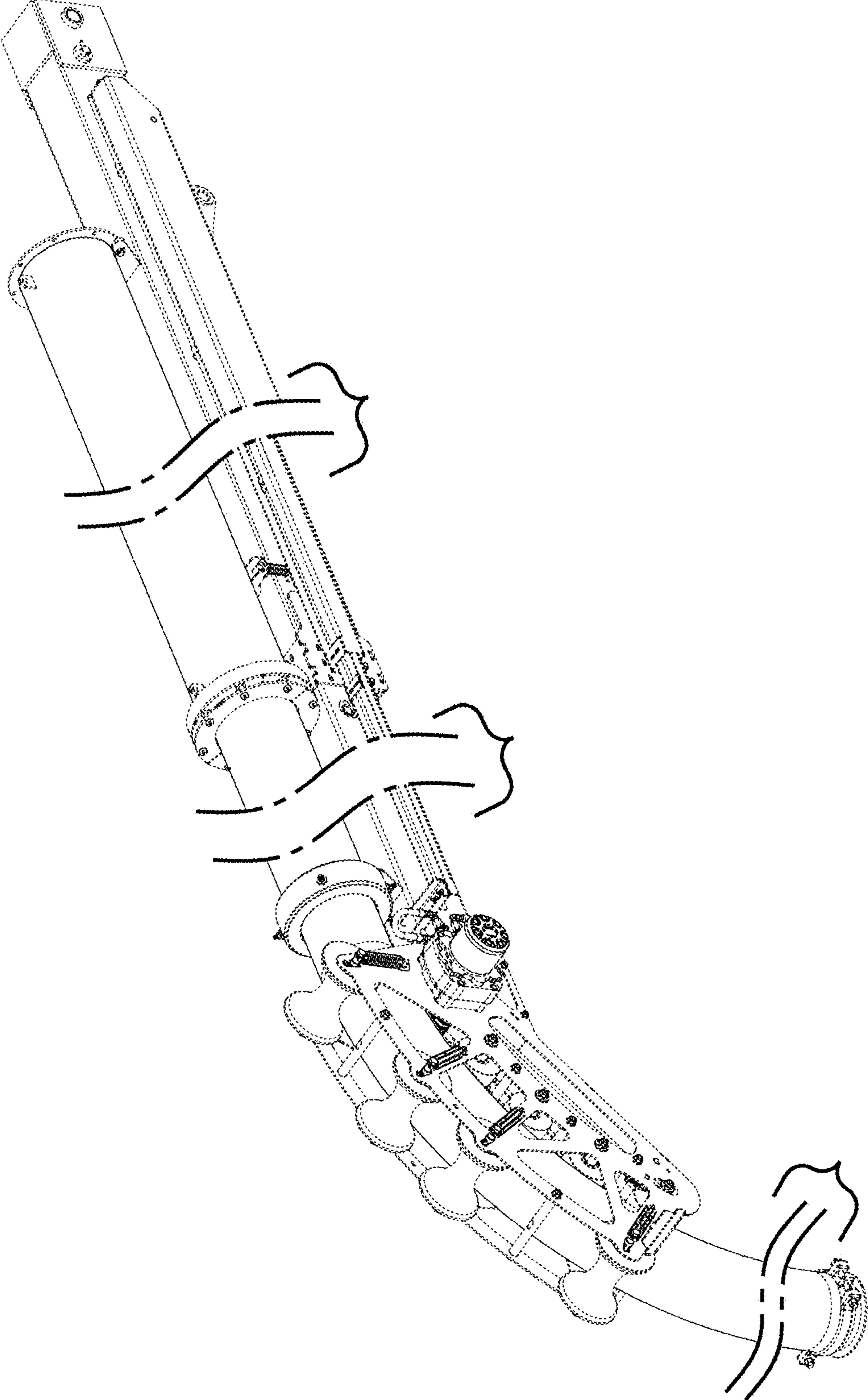


FIG. 2

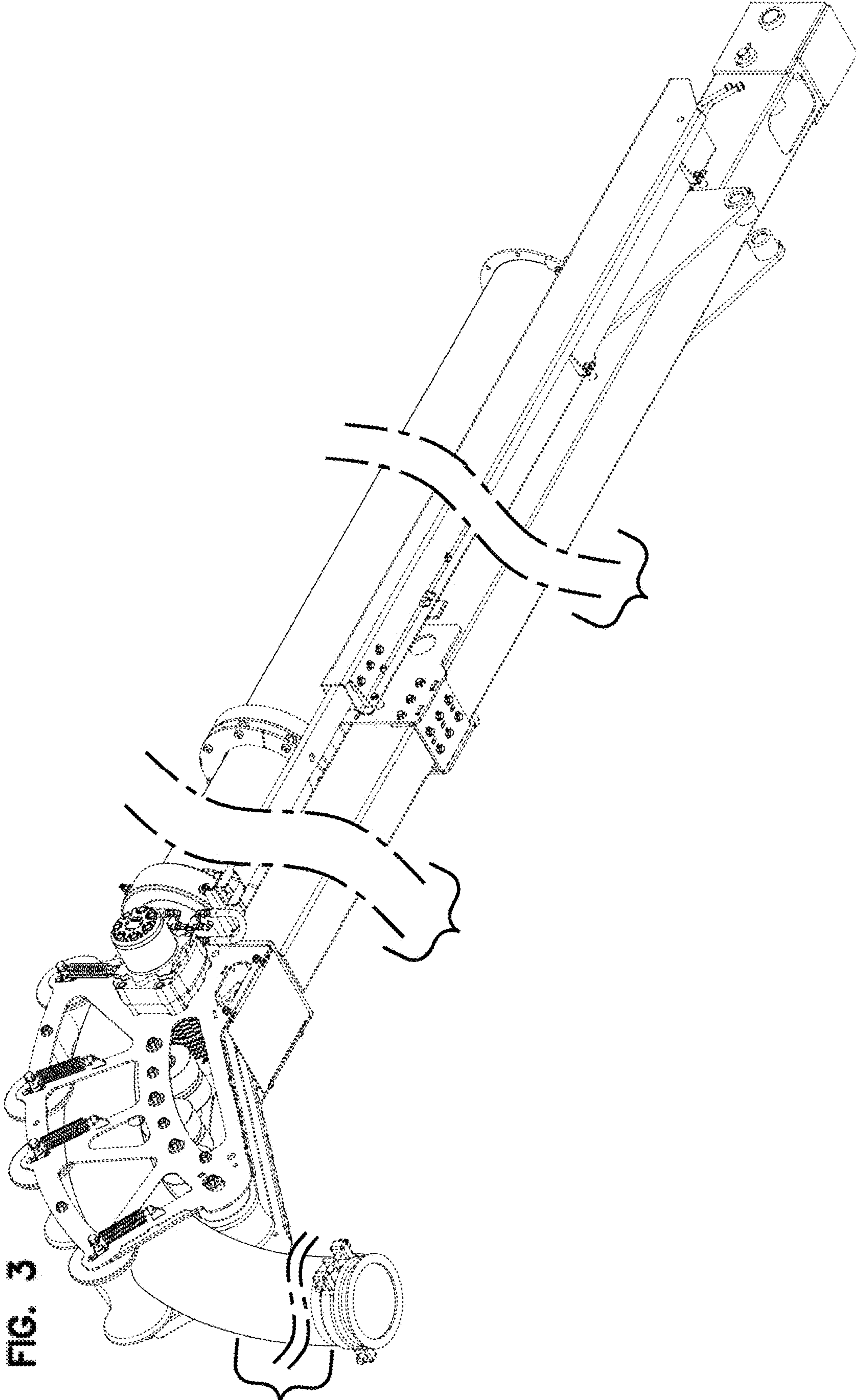


FIG. 3

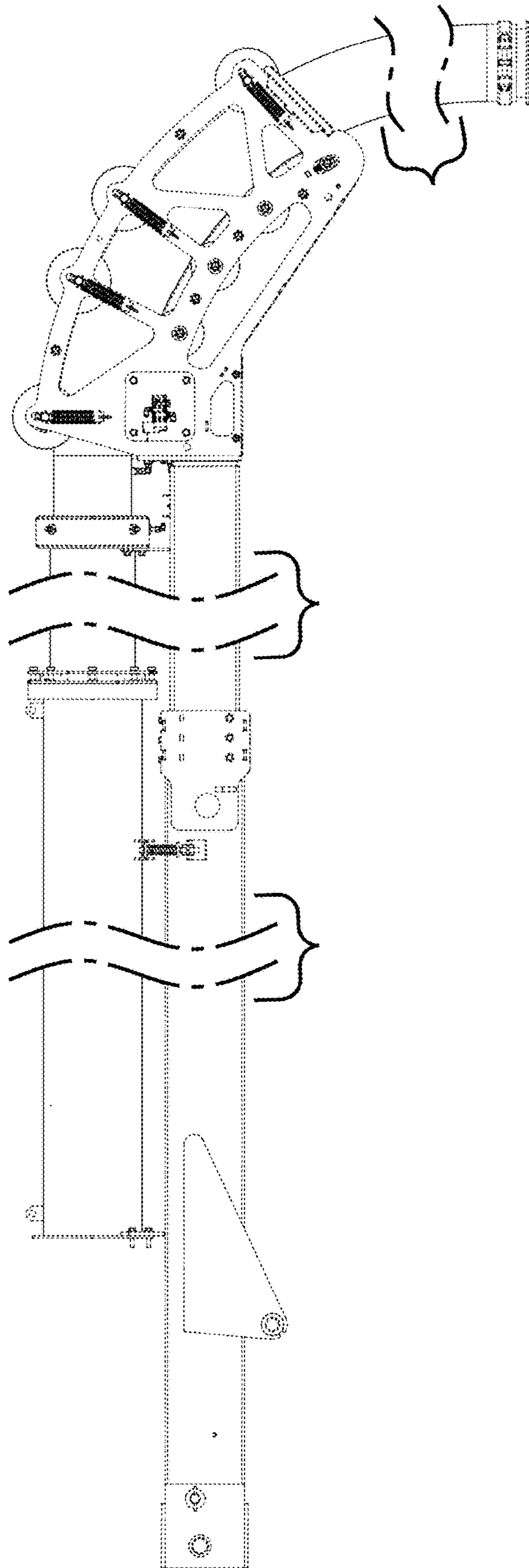


FIG. 4

FIG. 5

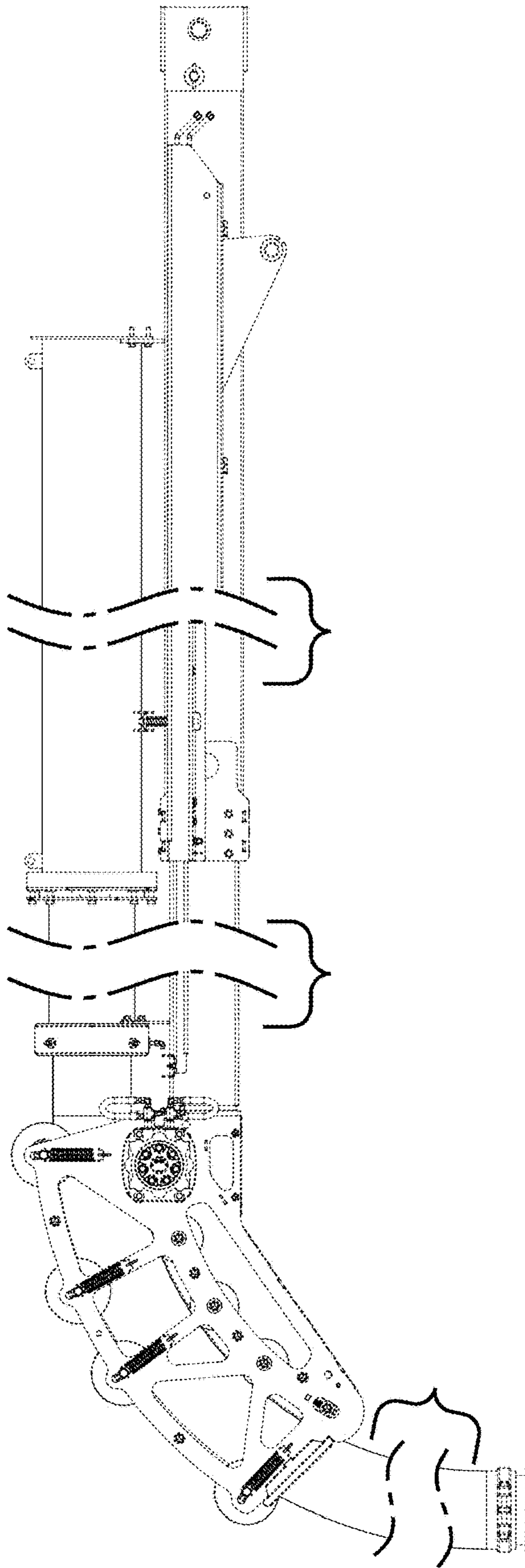


FIG. 7

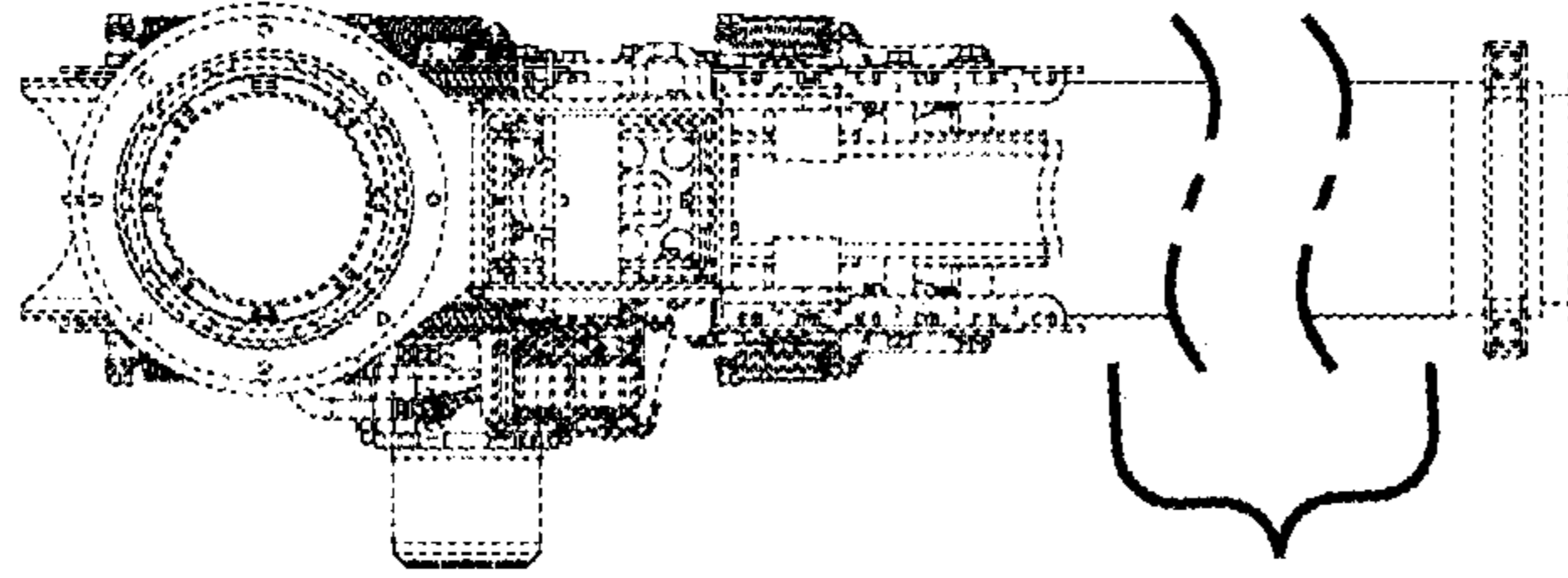


FIG. 6

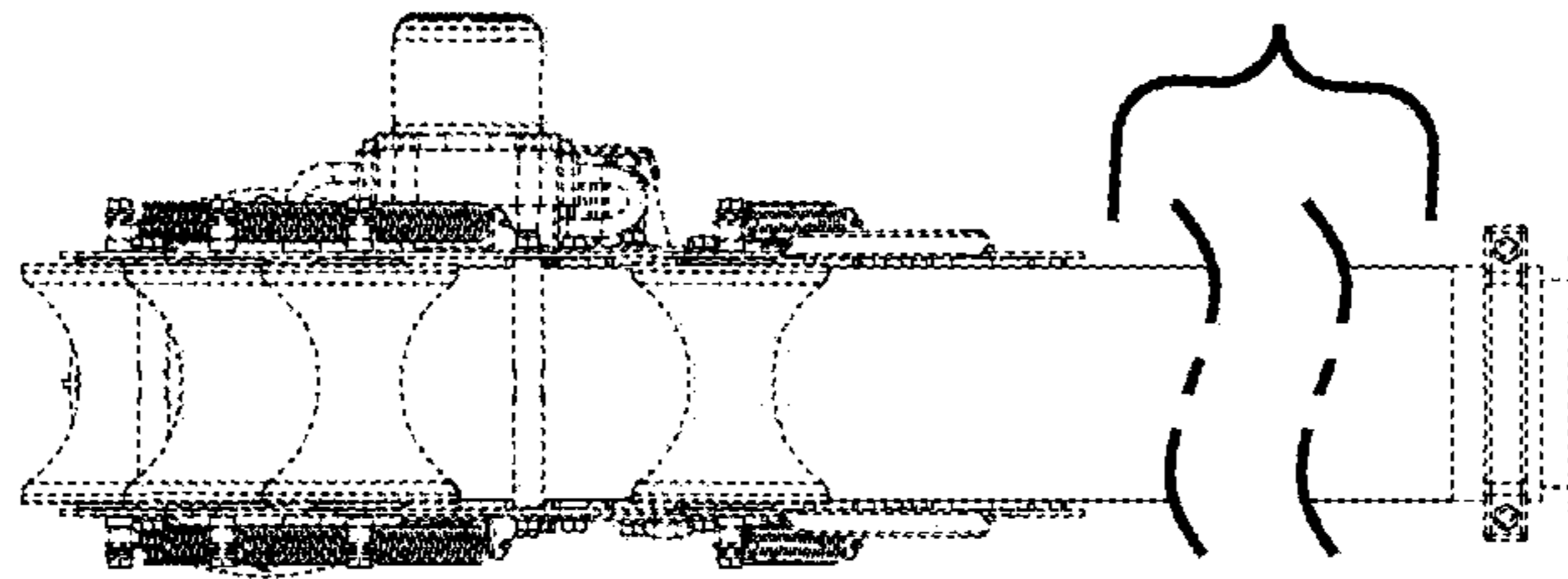


FIG. 8

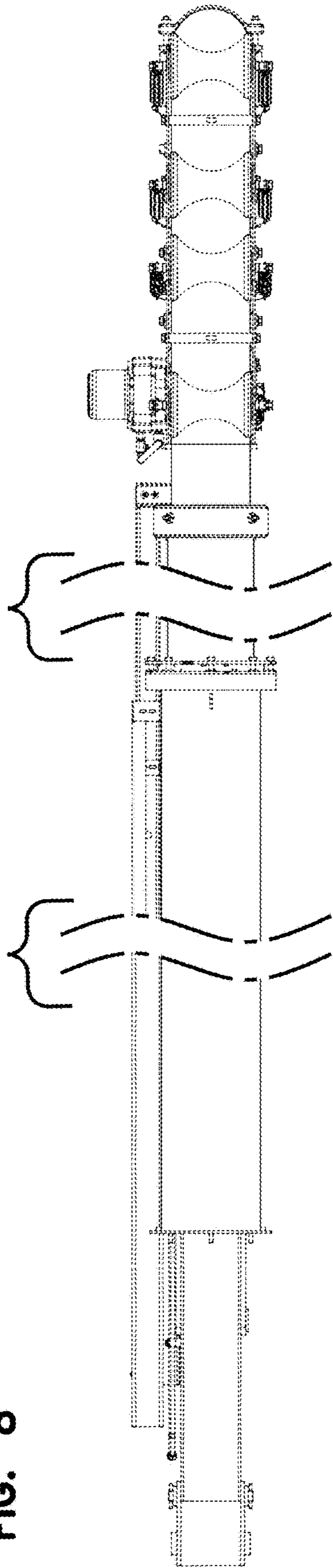


FIG. 9

