



US00D956105S

(12) **United States Design Patent** (10) **Patent No.:** **US D956,105 S**  
**Kennedy et al.** (45) **Date of Patent:** **\*\* Jun. 28, 2022**

(54) **FILTER HOUSING**  
(71) Applicant: **Sage Products, LLC**, Cary, IL (US)  
(72) Inventors: **Jeffrey A. Kennedy**, Algonquin, IL (US); **Brian J. Ecklund**, Lakemoor, IL (US)  
(73) Assignee: **Sage Products, LLC**, Cary, IL (US)  
(\*\*) Term: **15 Years**  
(21) Appl. No.: **29/748,589**  
(22) Filed: **Aug. 31, 2020**

D704,225 S \* 5/2014 Lee ..... D15/5  
D704,226 S \* 5/2014 Lee ..... D15/5  
D705,819 S \* 5/2014 Seymour ..... D15/9  
D707,717 S \* 6/2014 King ..... D15/7  
D719,191 S \* 12/2014 Kunzendorf ..... D15/7  
D736,833 S \* 8/2015 Lee ..... D15/5  
D764,551 S \* 8/2016 Fowler ..... D15/7  
D802,024 S \* 11/2017 Aoki ..... D15/5  
D803,894 S \* 11/2017 Kennedy ..... D15/7  
D831,074 S \* 10/2018 Ecklund ..... D15/7  
D837,264 S \* 1/2019 Kennedy ..... D15/7  
D878,425 S \* 3/2020 Ecklund ..... D15/7  
D894,966 S \* 9/2020 Kennedy ..... D15/7  
D934,302 S \* 10/2021 Ecklund ..... D15/7  
2021/0204751 A1\* 7/2021 Perentes ..... G01F 3/10

**Related U.S. Application Data**

(62) Division of application No. 29/670,375, filed on Nov. 15, 2018, now Pat. No. Des. 894,966, which is a division of application No. 29/592,974, filed on Feb. 3, 2017, now Pat. No. Des. 837,264.  
(51) **LOC (13) Cl.** ..... **15-02**  
(52) **U.S. Cl.**  
USPC ..... **D15/7**  
(58) **Field of Classification Search**  
USPC ..... D15/7-9; D23/231, 232, 225, 227  
CPC ..... F02M 37/04; F02M 37/15; F04B 53/92;  
F04B 1/005; F04D 13/06; F04D 29/22;  
F04D 29/046; F04D 29/2266; B67D 7/44  
See application file for complete search history.

**References Cited**

**U.S. PATENT DOCUMENTS**

D589,060 S \* 3/2009 Metcalfe ..... D15/7  
D609,249 S \* 2/2010 Foreman ..... D15/7  
D631,066 S \* 1/2011 Itadani ..... D15/9  
D654,508 S \* 2/2012 Foreman ..... D15/7  
D689,100 S \* 9/2013 Wirz Luchsinger ..... D15/7  
D693,850 S \* 11/2013 Haider ..... D15/7  
D694,276 S \* 11/2013 Kunzendorf ..... D15/9

**OTHER PUBLICATIONS**

Google search; google.com; Feb. 2022.\*

\* cited by examiner

*Primary Examiner* — Mitchell I. Siegel

(74) *Attorney, Agent, or Firm* — Foley & Lardner LLP

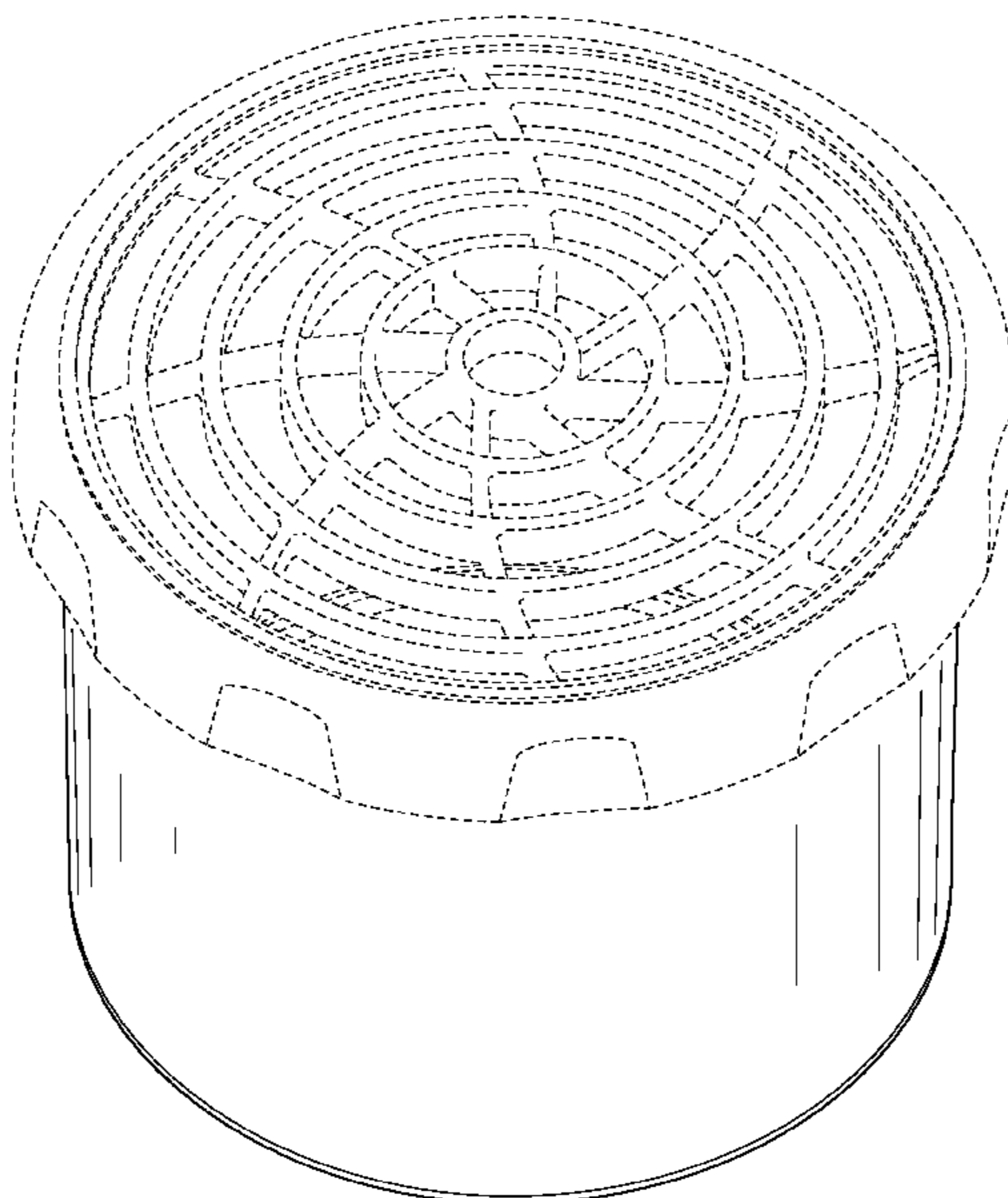
(57) **CLAIM**

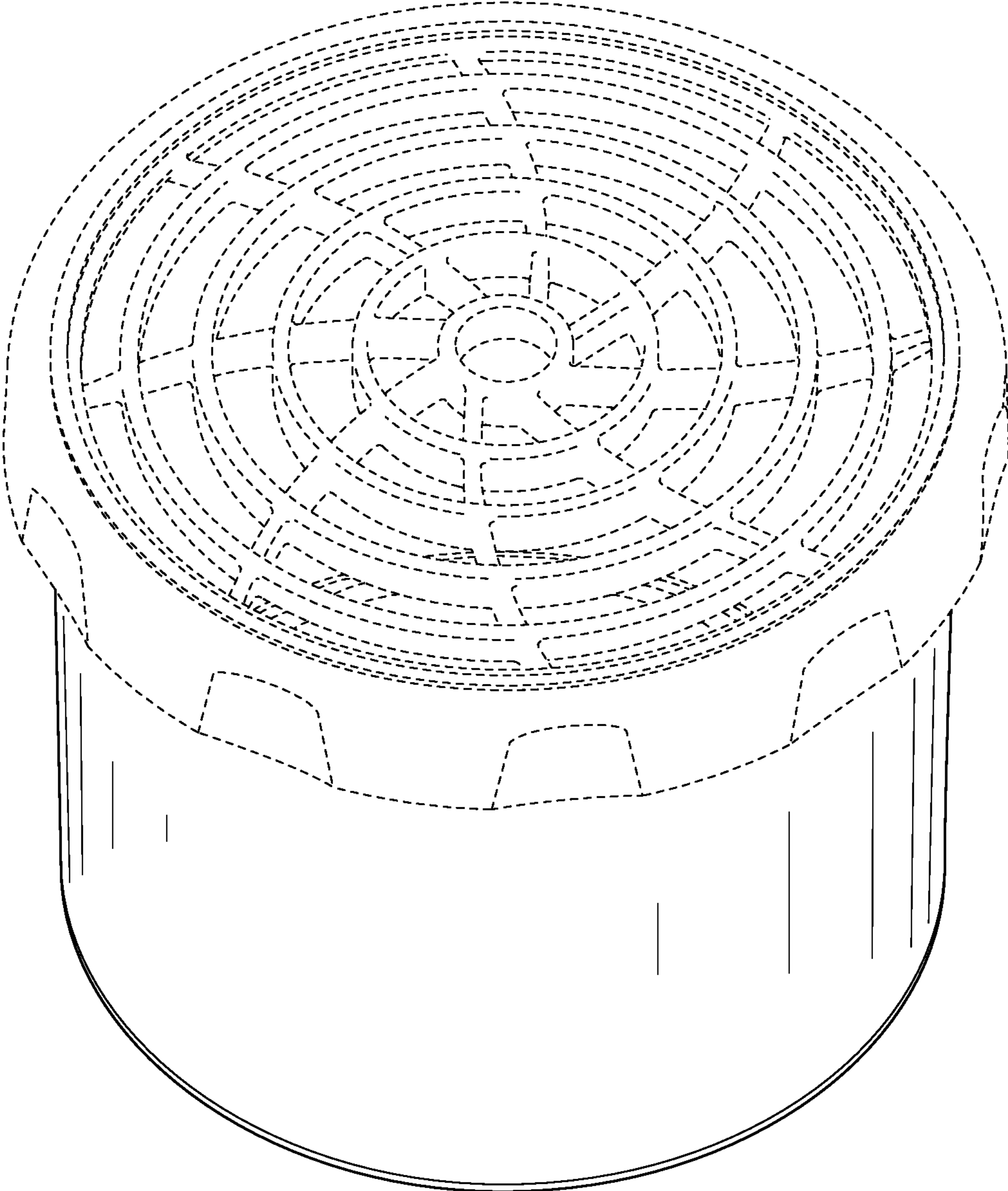
We claim the ornamental design for a filter housing, as shown and described.

**DESCRIPTION**

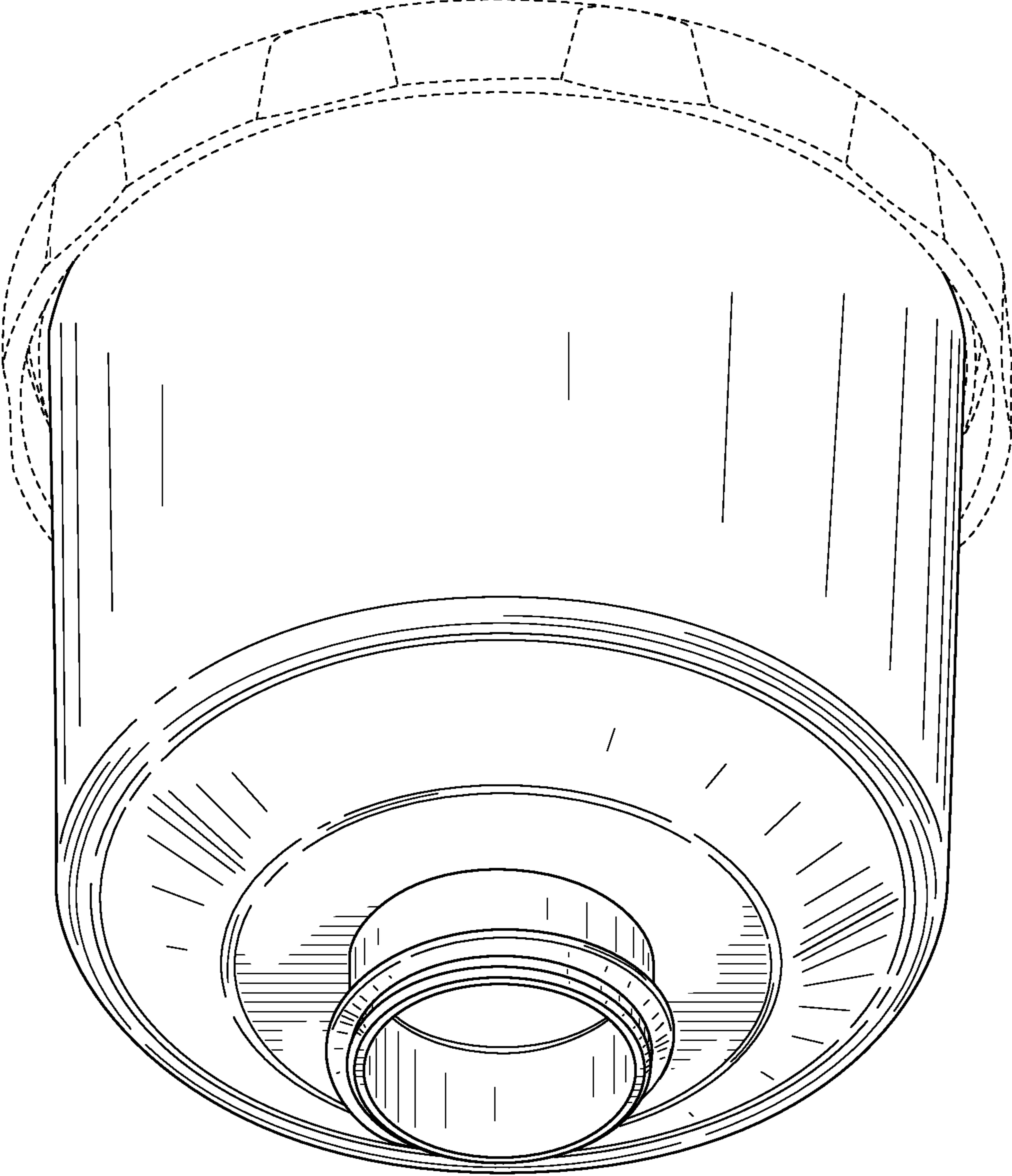
FIG. 1 is a top, front, right perspective view of a filter housing according to the claimed design;  
FIG. 2 is a bottom, front, left perspective view thereof;  
FIG. 3 is a left side elevation view thereof;  
FIG. 4 is a right side elevation view thereof;  
FIG. 5 is a front elevation view thereof;  
FIG. 6 is a rear elevation view thereof;  
FIG. 7 is a top plan view thereof; and,  
FIG. 8 is a bottom plan view thereof.  
The broken lines shown forms no part of the claimed design.

**1 Claim, 8 Drawing Sheets**

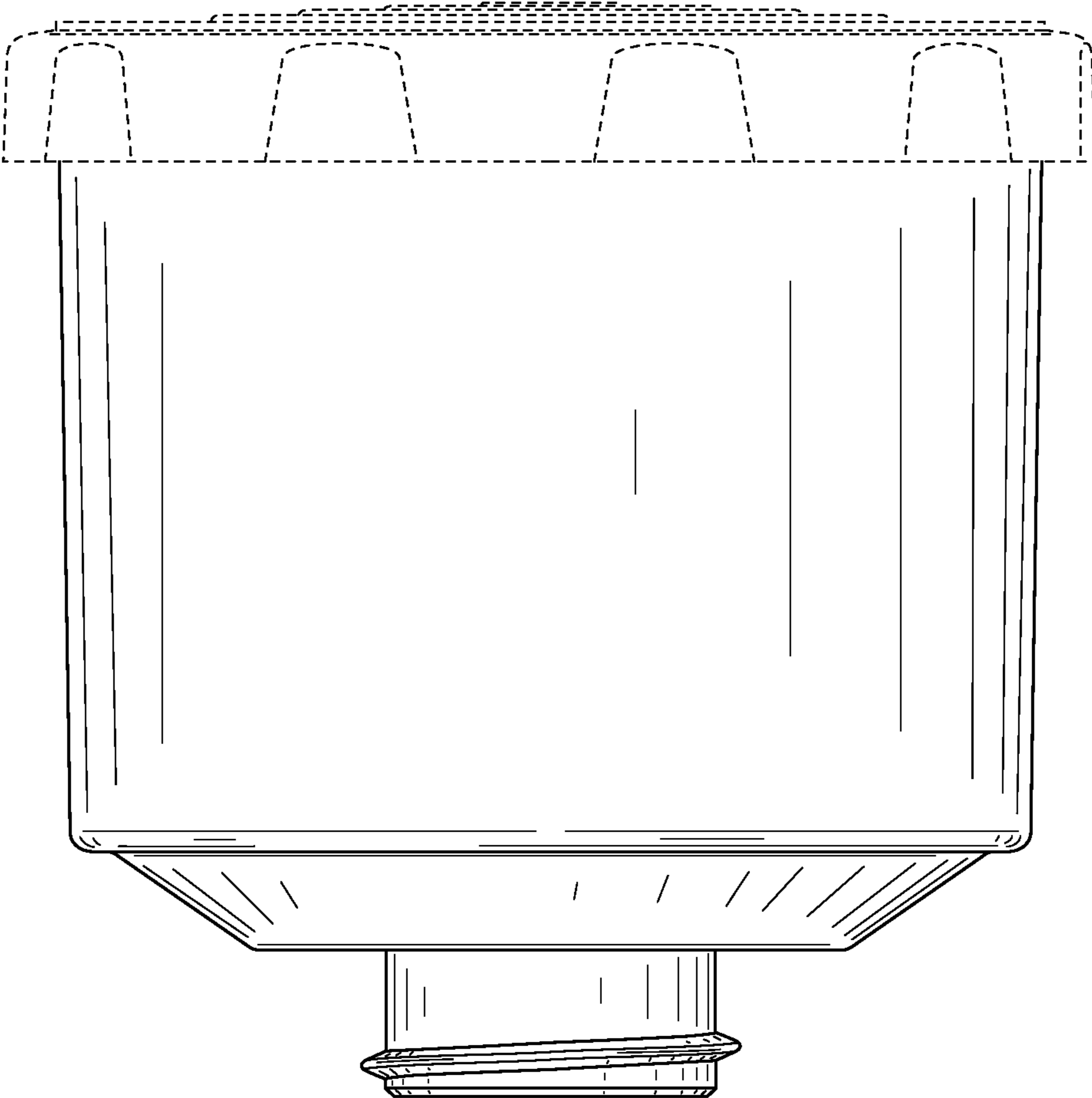




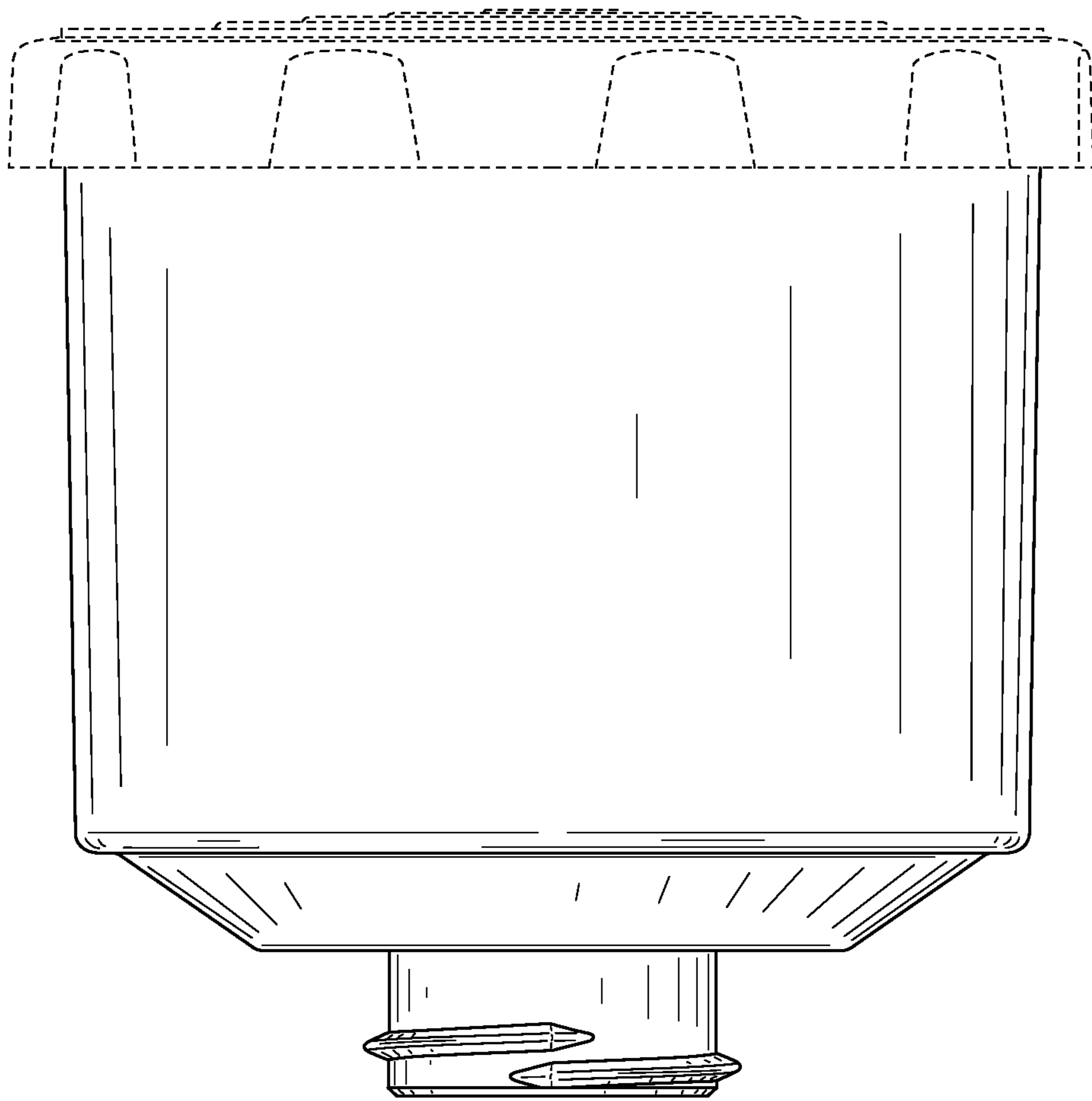
**FIG. 1**



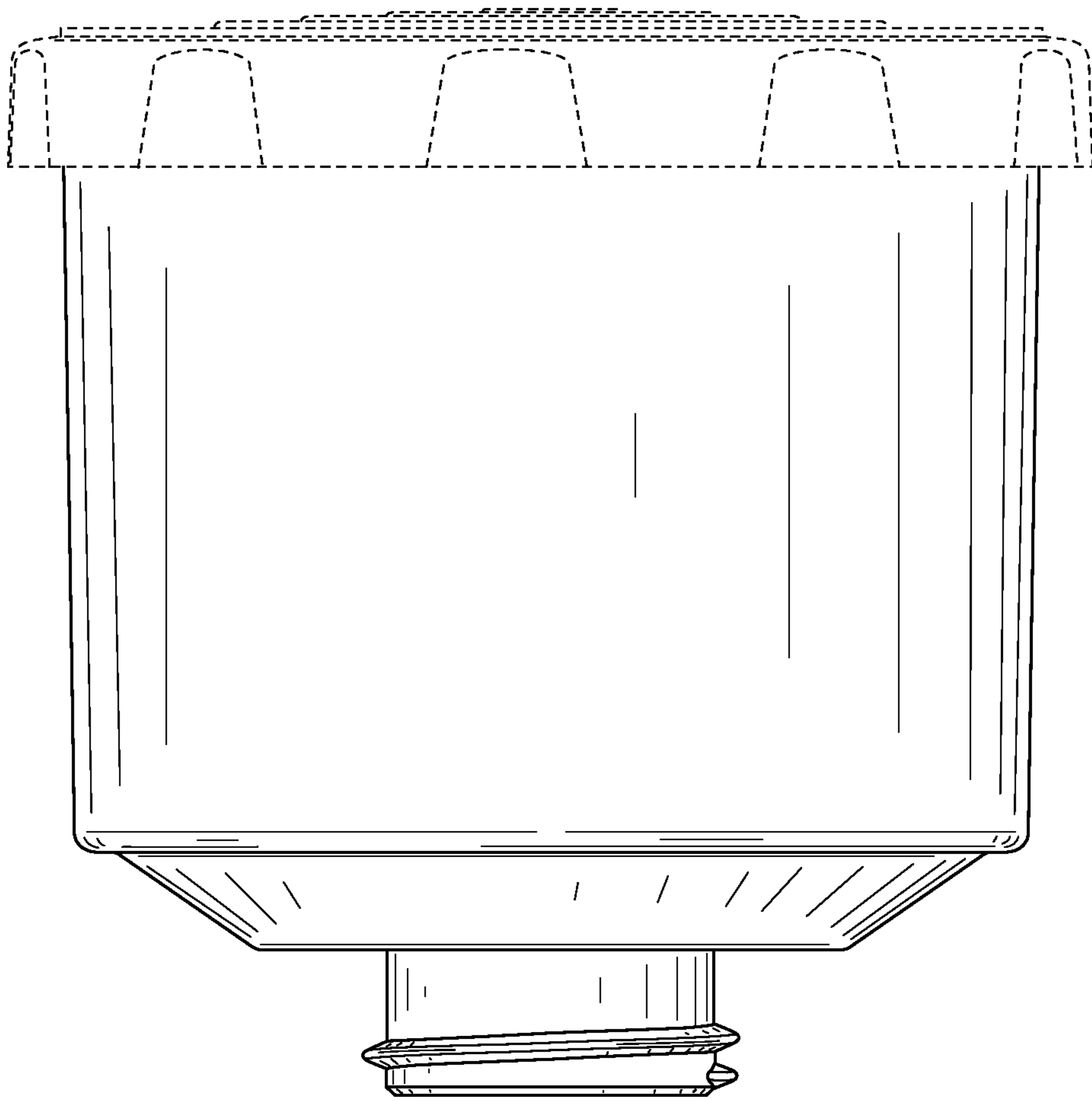
**FIG. 2**



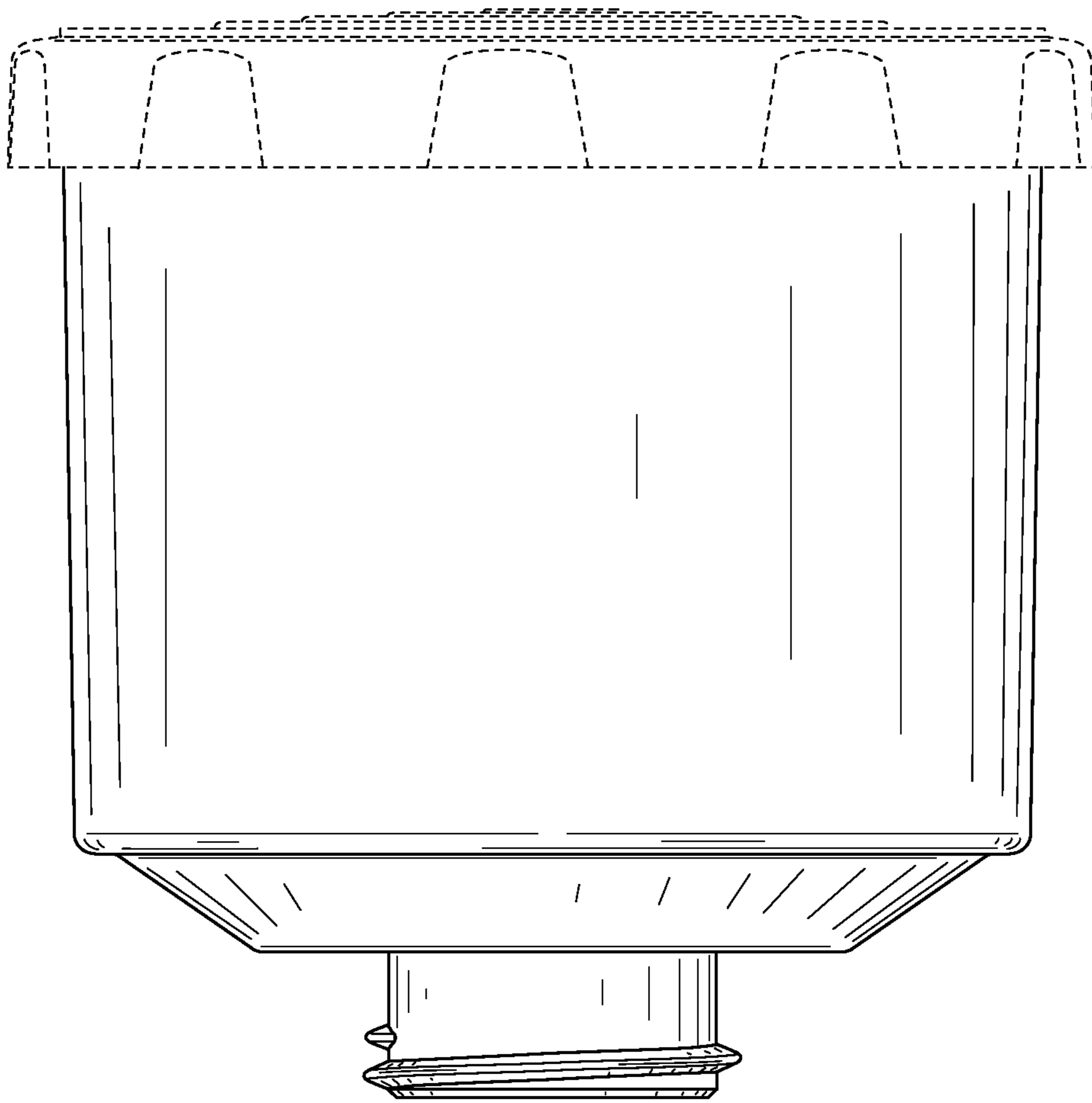
**FIG. 3**



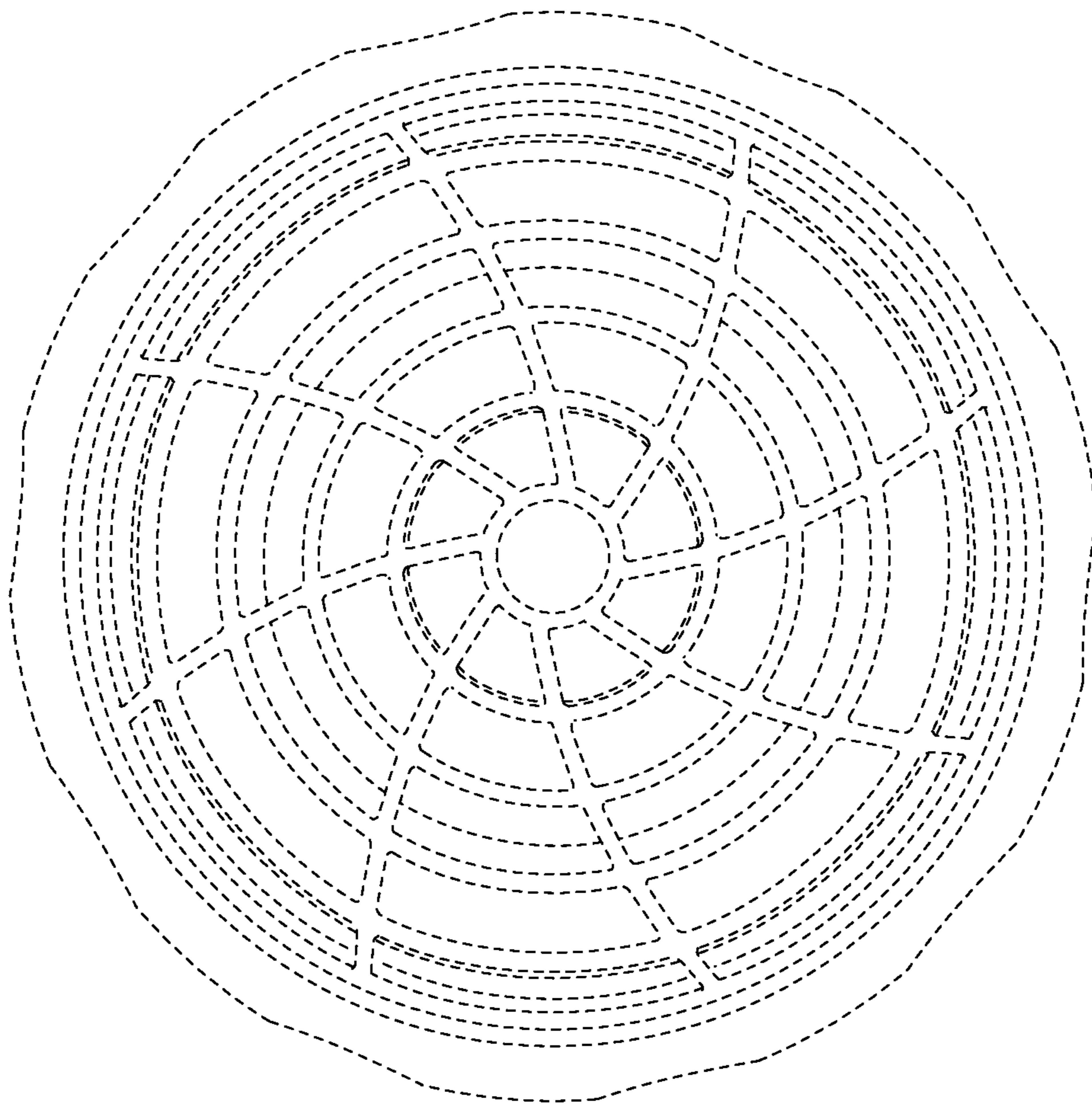
**FIG. 4**



**FIG. 5**

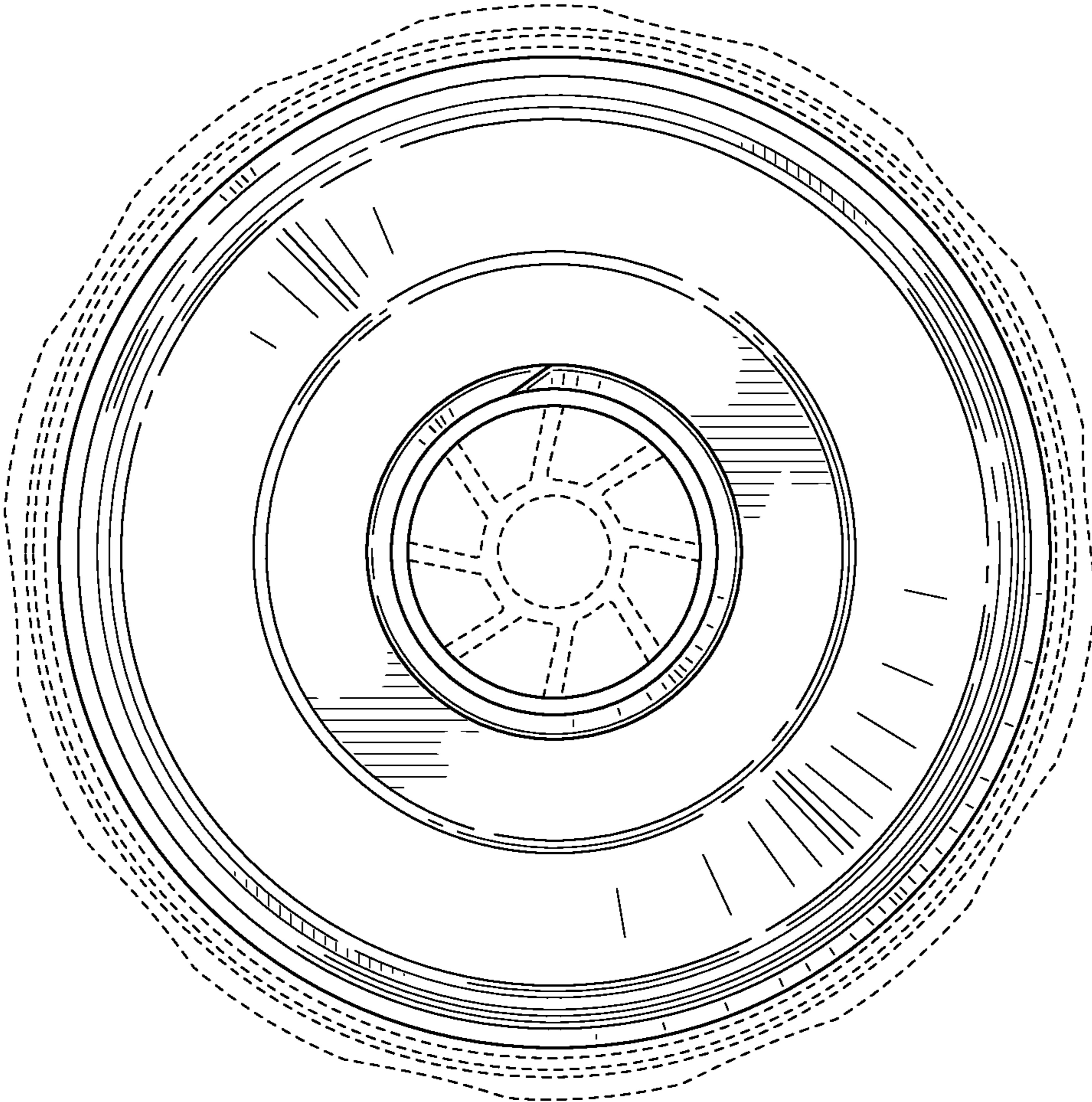


**FIG. 6**



**FIG. 7**





**FIG. 8**